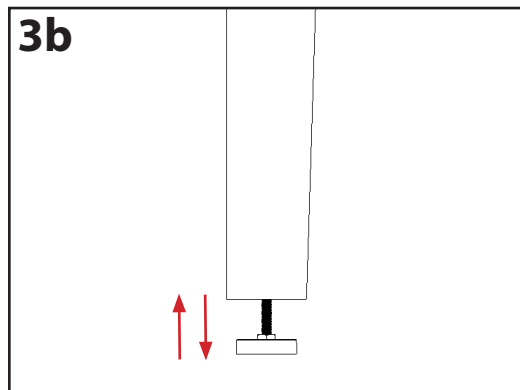
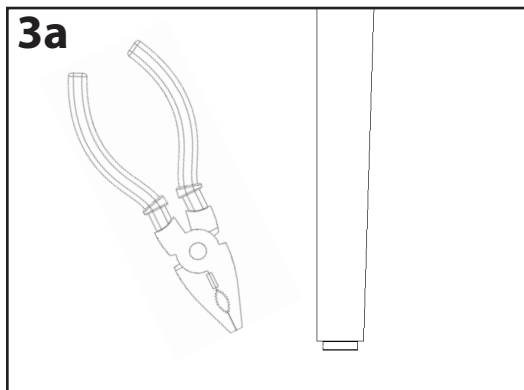
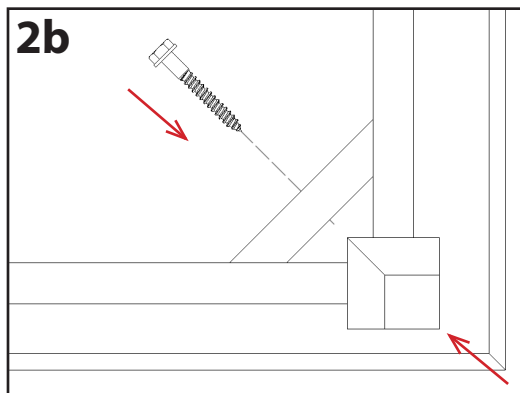
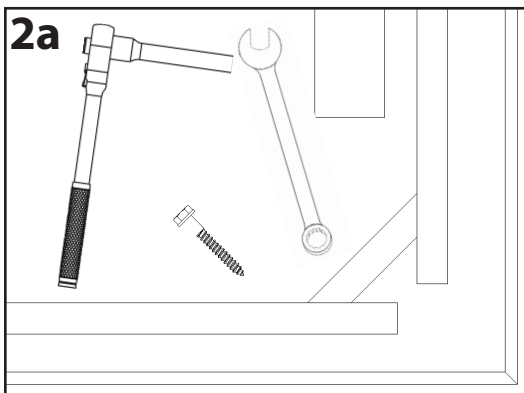
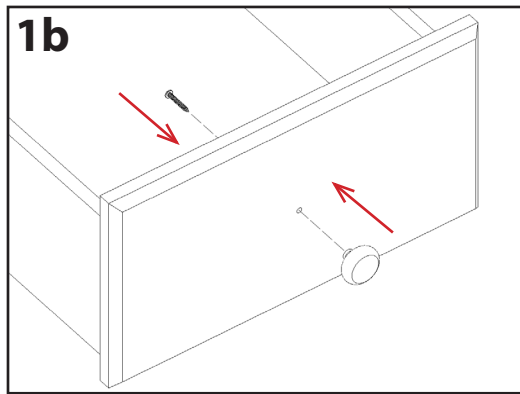
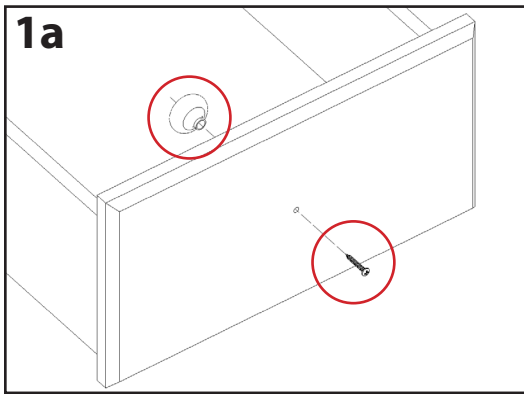


Writing Desk Instruction Sheet

STEPS:

1. (a,b) Let's get your knobs turned around! Reverse the knobs with a Phillips head screwdriver. Unscrew each inward-facing knob and reattach by screwing the knob onto the outside of the unit.
2. (a,b) To attach the legs, use a 7/16" wrench or ratchet and four bolts with washers. Lay the top of the piece upside down on a cleared off, flat surface. One leg at a time, line up the leg with the pre-drilled holes facing inward to the corner bracket on the desk top. With a washer on each bolt, insert the bolt through the hole on corner bracket and using the wrench or ratchet, screw the bolt into the predrilled hole on the leg. Repeat for all four legs.
3. (a,b) Get your piece at the height that's best for you by adjusting the levelers. If the levelers are too tight, use pliers to loosen and then adjust by hand. Get the unit in its desired location. Next, adjust the levelers to line up the tops. In order to increase the height, turn them counterclockwise. To lower the height, turn the levelers clockwise.
4. Care for your piece by dusting it with a slightly damp rag. Happy cleaning!



Hardware Provided:

- Legs x4
- Levelers
- 2" Lag Bolts x4
- Washers x4

Tools Needed:

- Phillips head screwdriver
- Pliers
- 7/16" wrench or ratchet