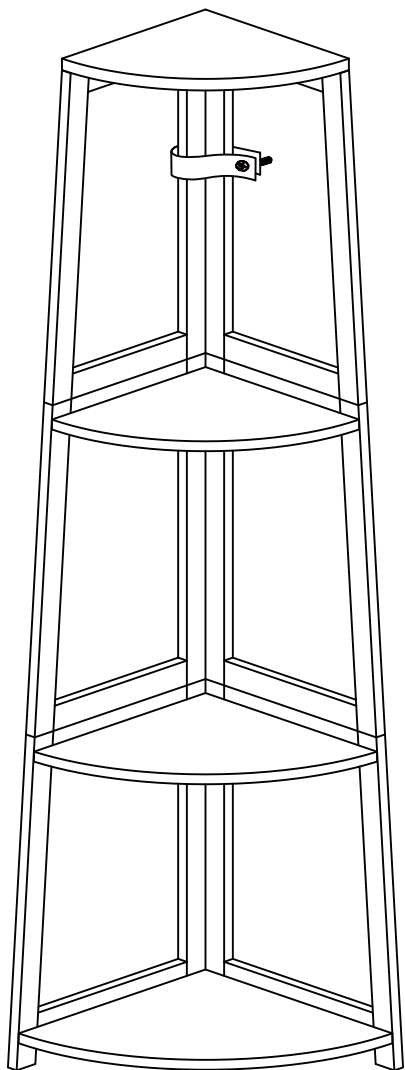


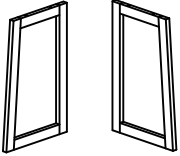
Corner Shelf Installation Manual



Please read this manual prior to installation.
If you have any questions, please contact us.

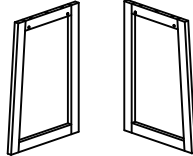


1. Do not use an electric screwdriver or too much force to tighten the screws.
2. If you find any damaged or missing parts, please contact us to get a free replacement.
wtz-service@outlook.com



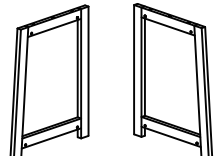
(A₁)

(A₂)



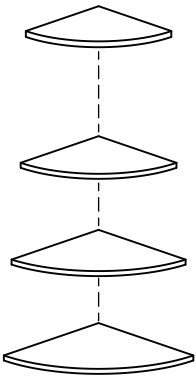
(B₁)

(B₂)



(C₁)

(C₂)



D1

D2

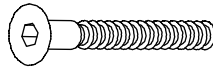
D3

D4

(D)



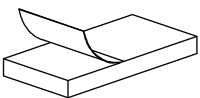
(E) X4



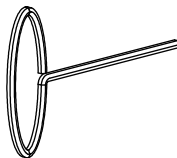
(F₁) X16



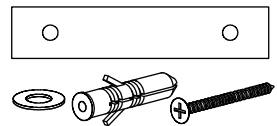
(F₂) X8



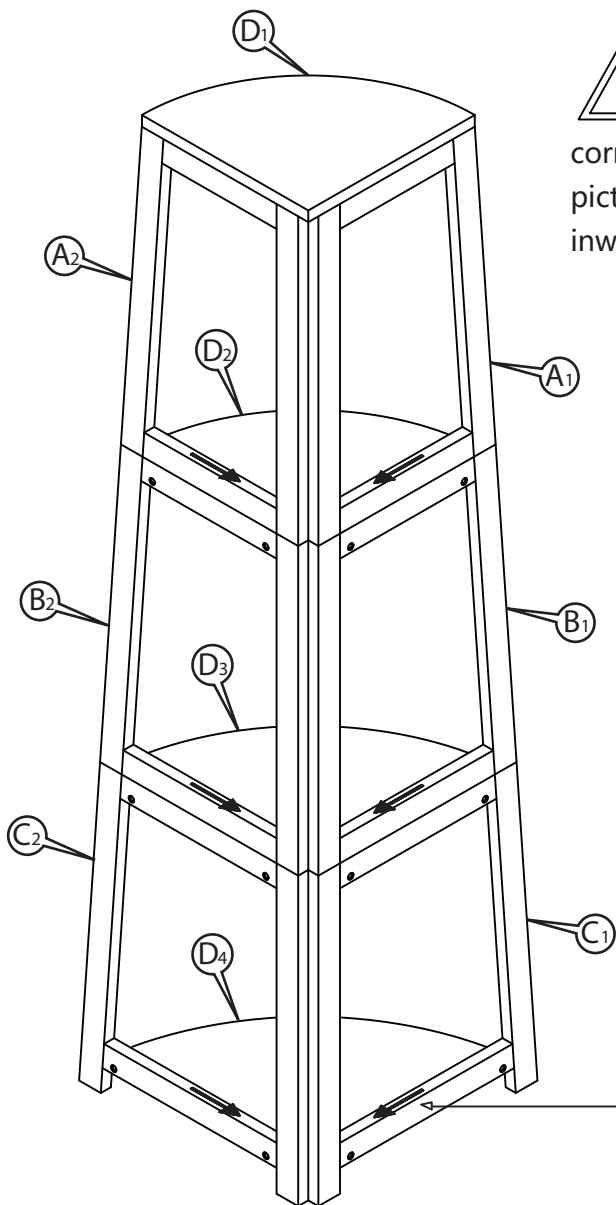
(G) X4



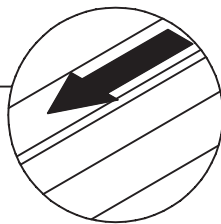
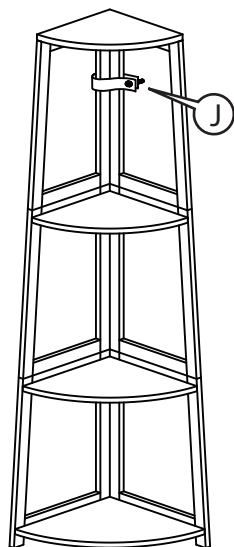
(H) X1

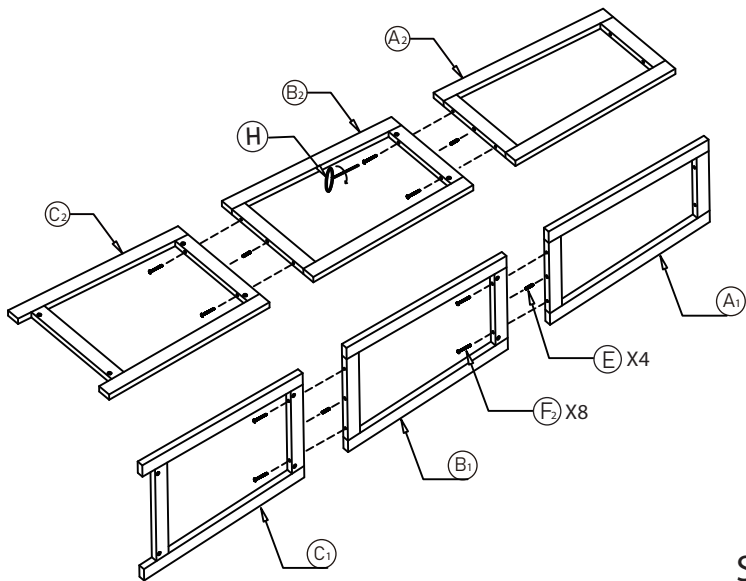


(J) X1

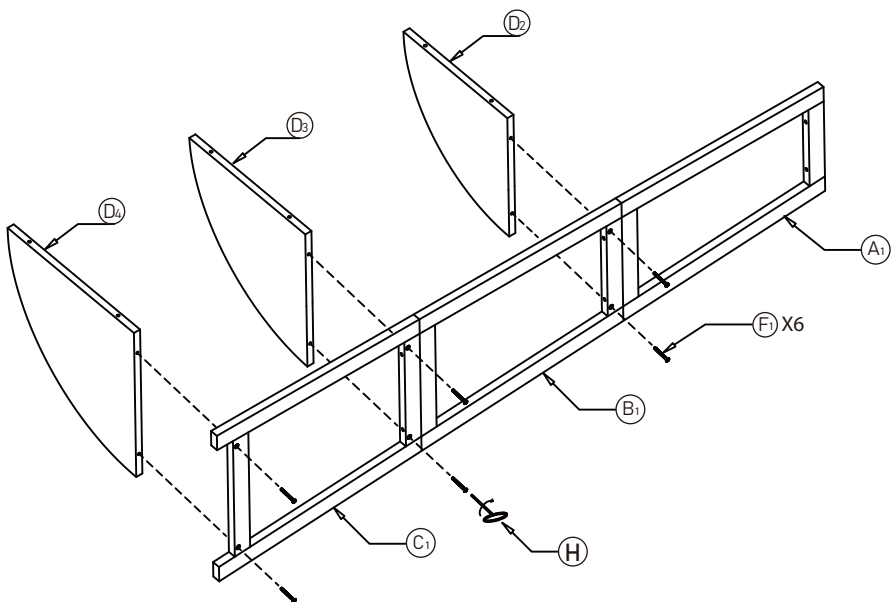


Be sure to install the corner shelf as shown in the picture, with the arrow pointing inward.

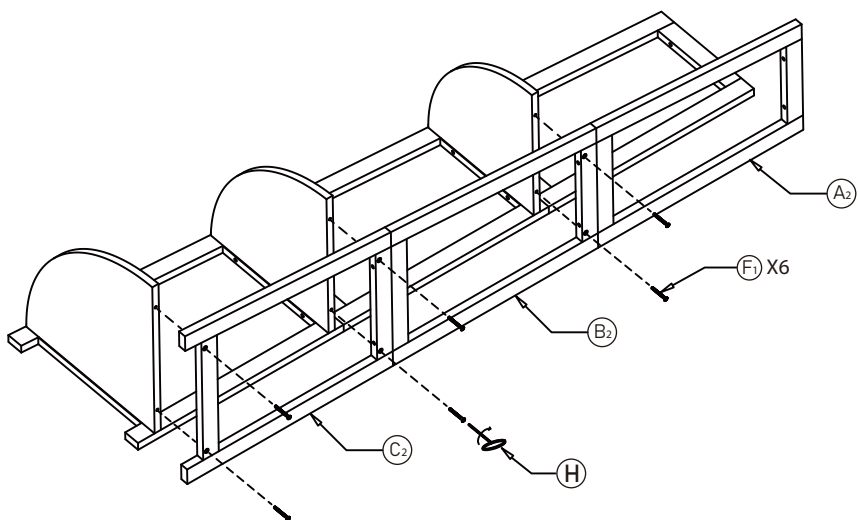




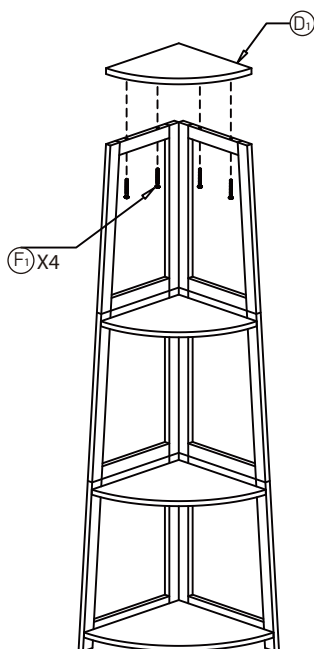
Step 1



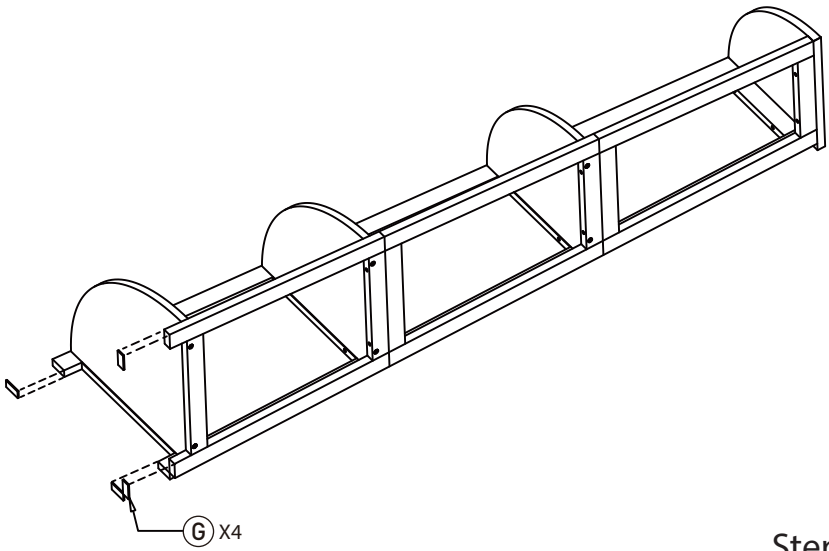
Step 2



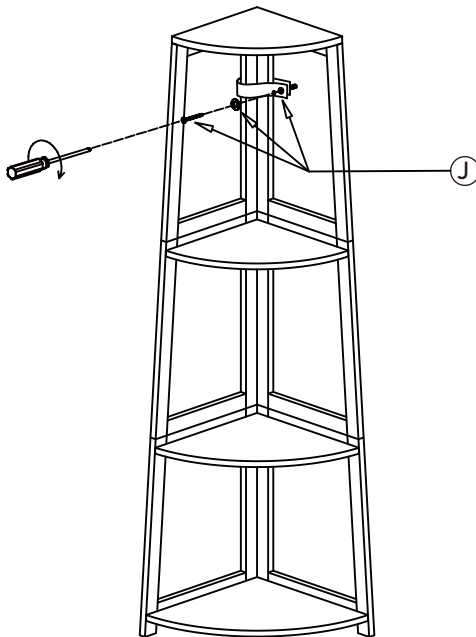
Step 3



Step 4



Step 5



Step 6

CARE AND MAINTENANCE OF BAMBOO FURNITURE

Damage Prevention

Use coasters and pads to prevent damage from heat, moisture or heavy objects.

Do not use wax or polish on your bamboo furniture.

To prevent staining or water marks, make sure to clean spills immediately, using a dabbing motion with a soft cloth.

Cleaning

For periodic cleaning, use a soft cloth and a gentle cleaner designed for wood furniture.

Avoid cleaners that contain abrasive materials, oil, acidic or caustic ingredients or any other harsh chemicals.

Avoiding Scratches

To avoid scratches, take care to lift objects and never drag or slide them across surfaces.

Keep Away from Heat

Avoid placing furniture directly in front of heat vents, wood burning stoves or other heat sources. Never place bamboo furniture in direct sunlight day after day.