

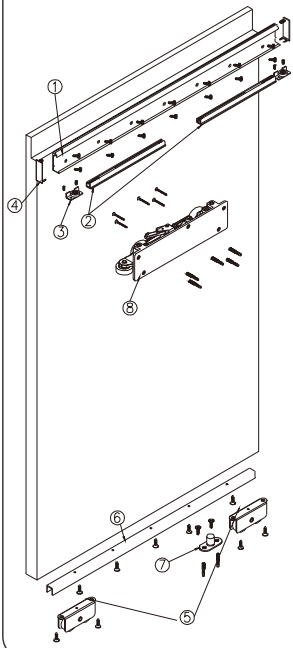
Hidden Sliding Door System (Wooden Door)



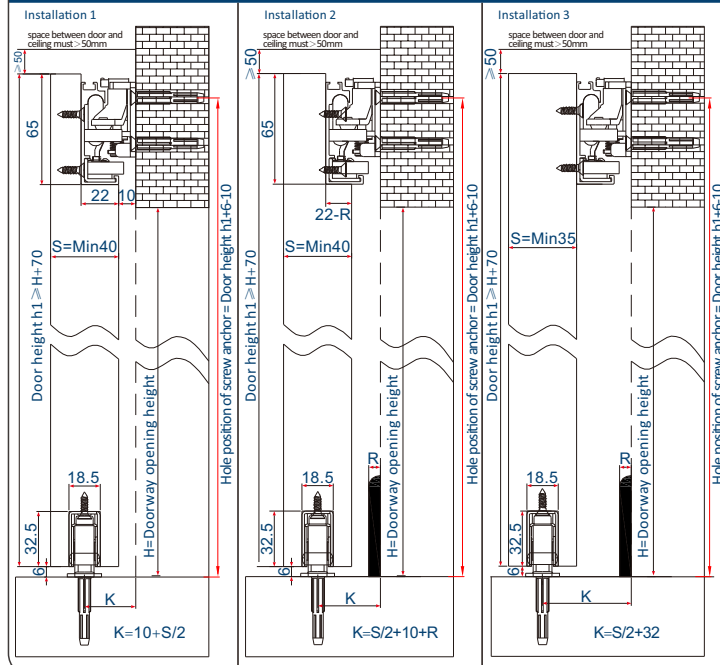
Accessory	Drawing	1 Door	Accessory	Drawing	1 Door	Accessory	Drawing	1 Door
Upper roller		1	Soft close device		2	Side roller		2
Lower Runner		1	Lower roller		2	End cover		1
ST4.5*40 cross head tapping screws		5	Screw anchor		5	Upper track		1
m4x6 hex fixed screw		4	ST4*16 cross head tapping screws		25	2mm Allen key		1
4mm Allen key		1	Lower track		1			

Installation instructions

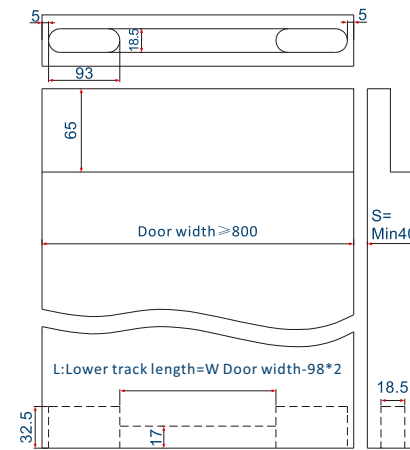
Installation instructions



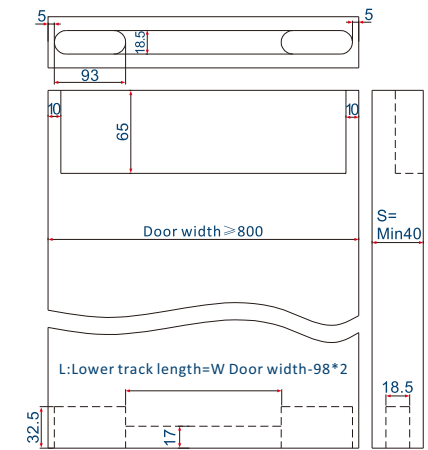
Door Thickness Requirement



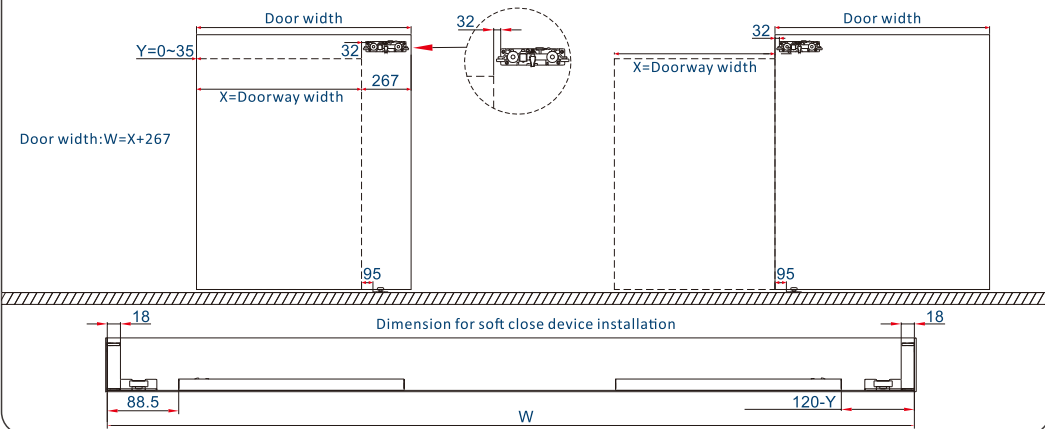
Track dimension & Installation mode 1



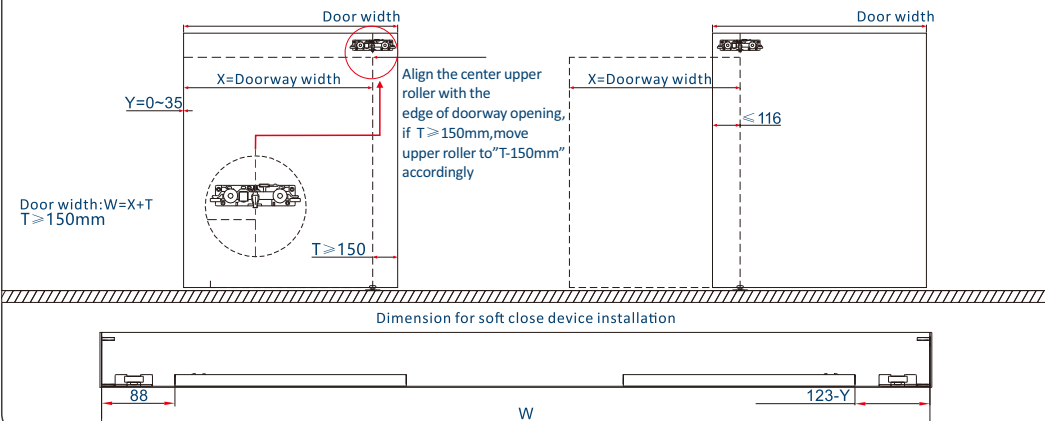
Track dimension & Installation mode 2



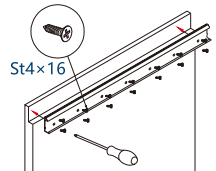
Wooden door installation mode 1 (Complete doorway opening)



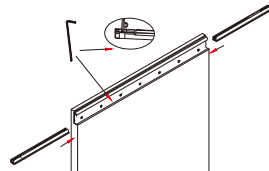
Wooden door installation mode 2 (Partial doorway opening)



1. Fasten the upper track

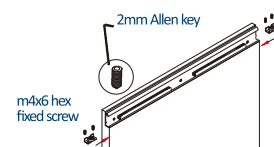


2. Insert soft close device

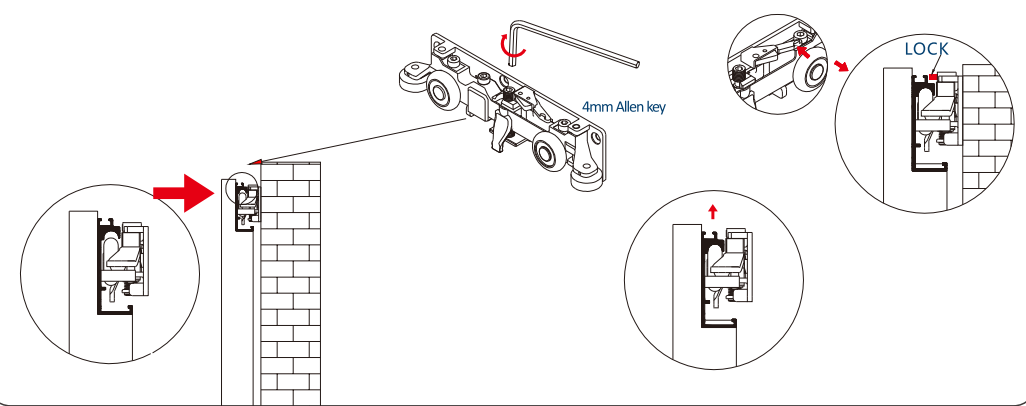


Fit both soft close device into the upper track and lock them in working position

3. Fasten side roller



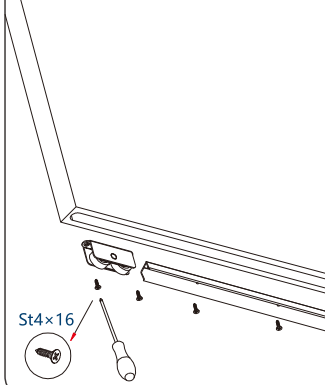
10. Height adjustment



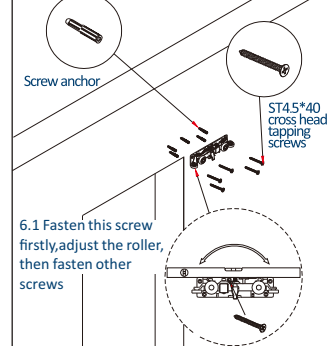
4. Insert end covers to both side of upper track



5. Fasten the lower track and lower rollers

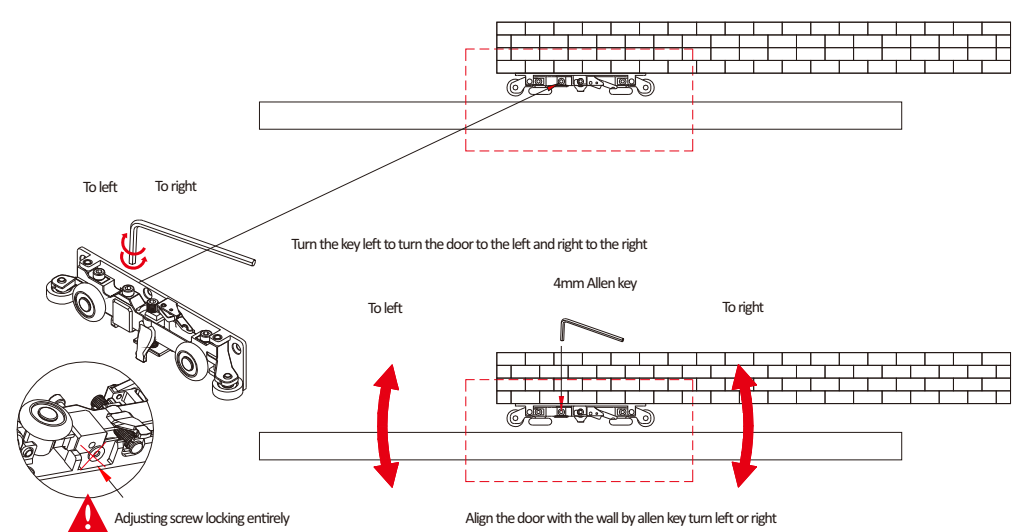


6. Fasten the upper roller

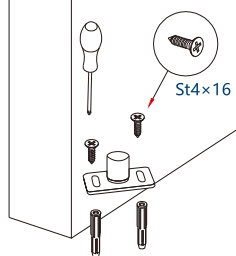


6.1 Fasten this screw firstly, adjust the roller, then fasten other screws

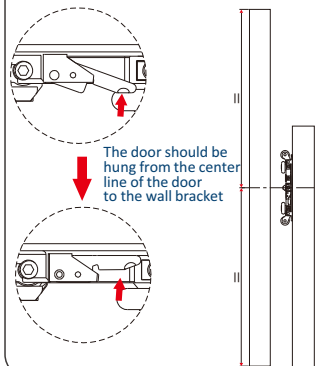
11. Left and right adjustment



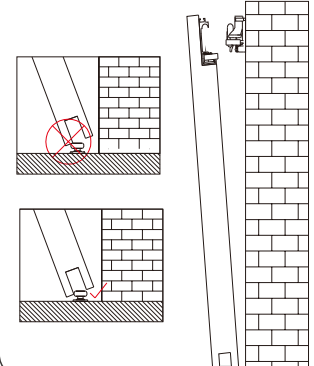
7. Fix the lower runner



8. Reset the safety-catch



9. Hang up the door



12. Lock the safety-catch

