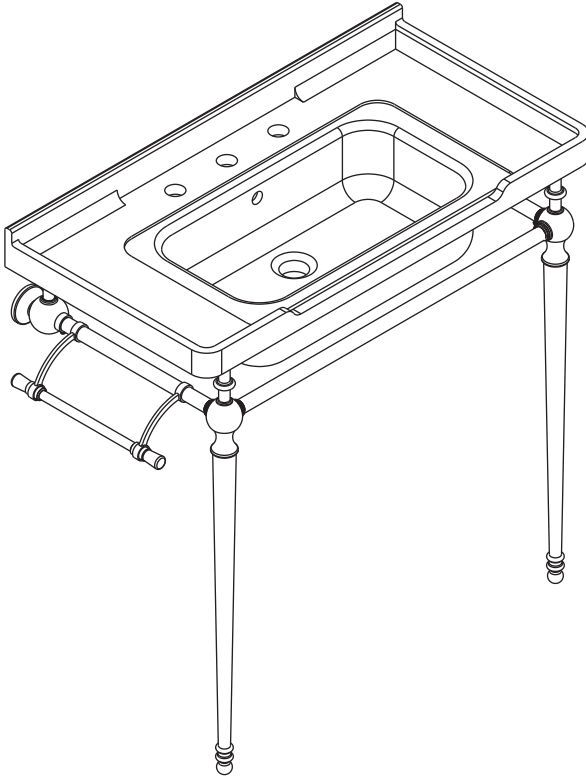
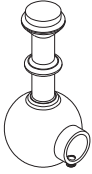


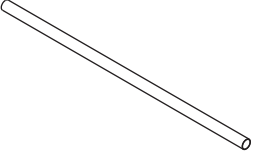



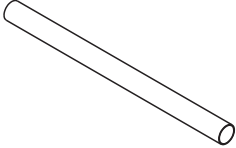
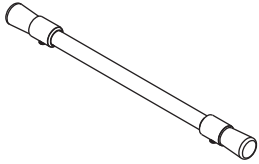


ASSEMBLY INSTRUCTIONS



Bathroom Vanity

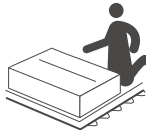
1		x2	7		x2
2		x2	8		x1
3		x2	9		x2
4		x2			
5		x2			
6		x1			

Notice:

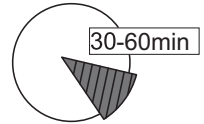
1. Follow the installation instructions. Please confirm all accessories are preset before installation.
2. Do not fully tighten the screws during initial assembly. Fully tighten screws only once all pieces which are correctly assembled.
3. If you encounter any problems during installation, please contact our customer service.
4. Please unbox the item from the side with an open-label and put a carpet on the floor to avoid scratching it.



Recommended installers : 2



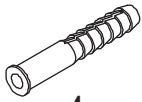
Put a carpet on the floor before unpacking



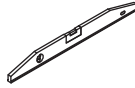
Estimate installation time:
30 minutes

Item no.	Reference Image	Qty	Item no.	Reference Image	Qty
A		x1			
B		x4			
C	 Ø4x50mm	x4			
D		x1			

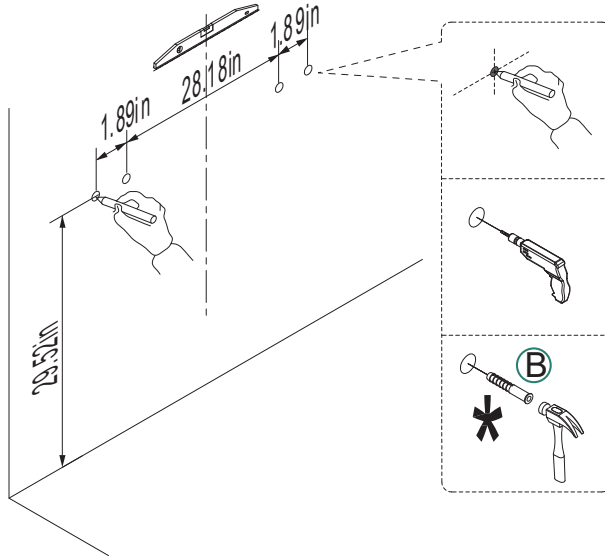
1



B 4pcs



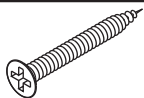
Bring your own tools



2



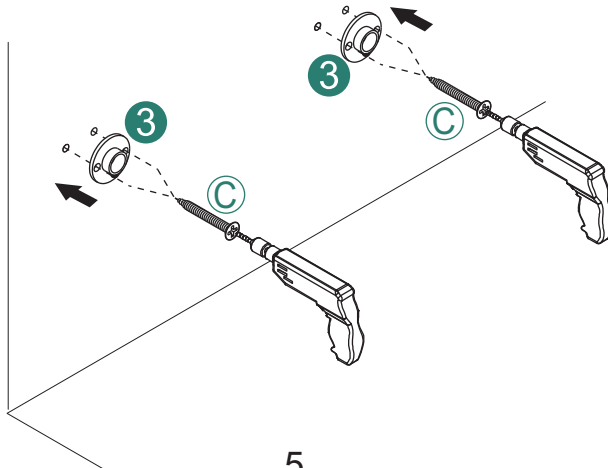
3 2pc



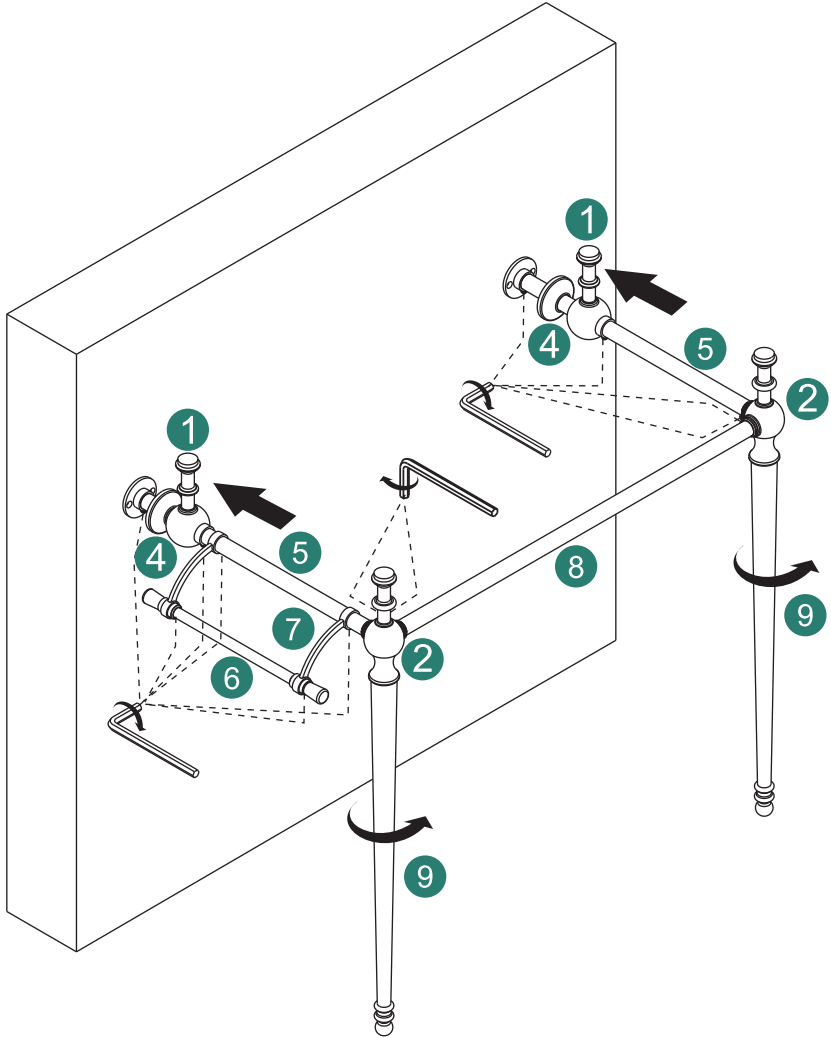
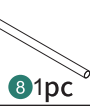
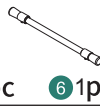
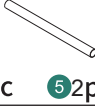
C 4pcs



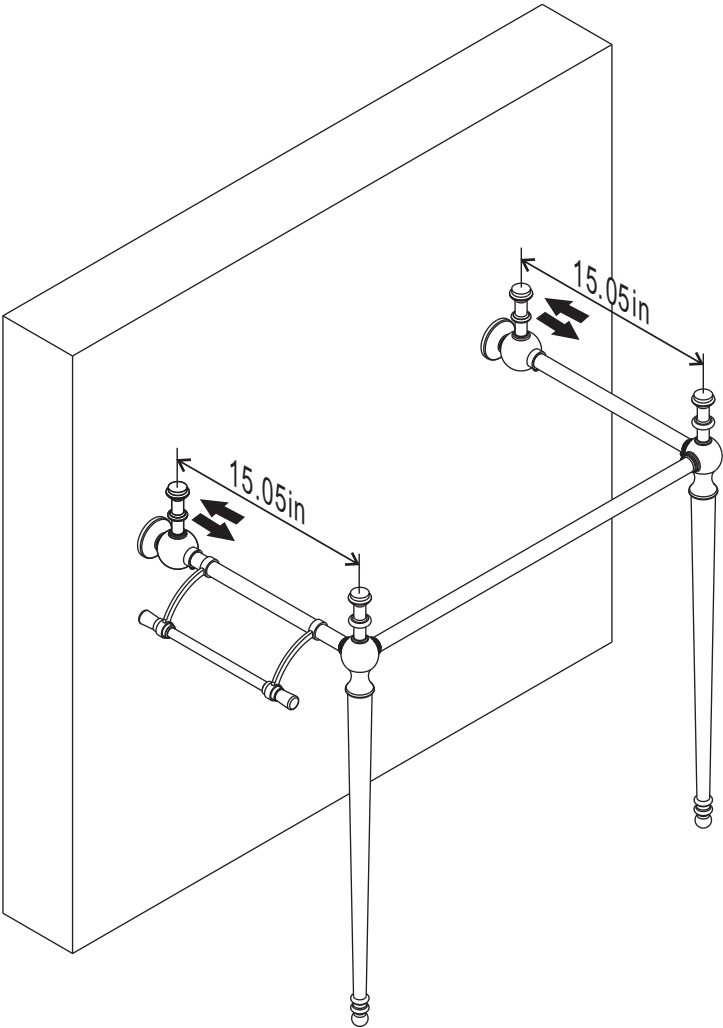
Bring your own tools



3

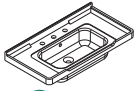


4



Installation completed

5



A 1pcs

