

Instructions apply for all bed sizes  
Twin > Twin XL > Full > Queen > King

**PARTS LIST**

- 1 END RAIL 1 PC**
- 2 TALL LEG 2 PCS**
- 3 SHORT LEG 2 PCS**
- 4 SIDE RAIL 2 PCS**

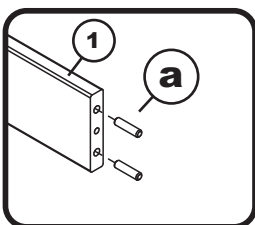
**HARDWARE**

- a** Wooden dowels - 4 pcs  
Spare - 1 pc
- b** JCB M6 X 100mm (4") - 2 pcs  
Spare - 1 pc
- c** Barrel nut - 2 pcs  
Spare - 1 pc
- d** Wood button - 2 pcs  
Spare - 1 pc
- e** Allen wrench - 1pc  
Spare - 1pc

NOTE: WE INCLUDE SPARE HARDWARE IN CASE DAMAGE OCCURS DURING ASSEMBLY.

**Step 1**

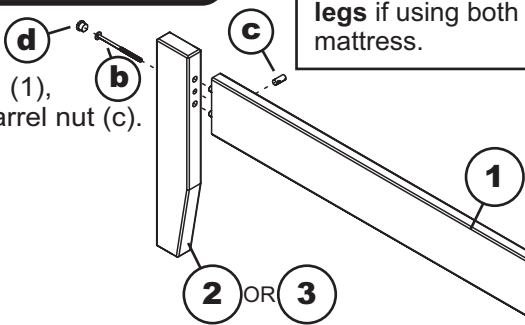
Insert wooden dowels (a) into the locator holes on (1) both ends of end rail.



Choose the **tall legs** when using storage drawers, Trundle bed or mattress only, choose the **short legs** if using both foundation and mattress.

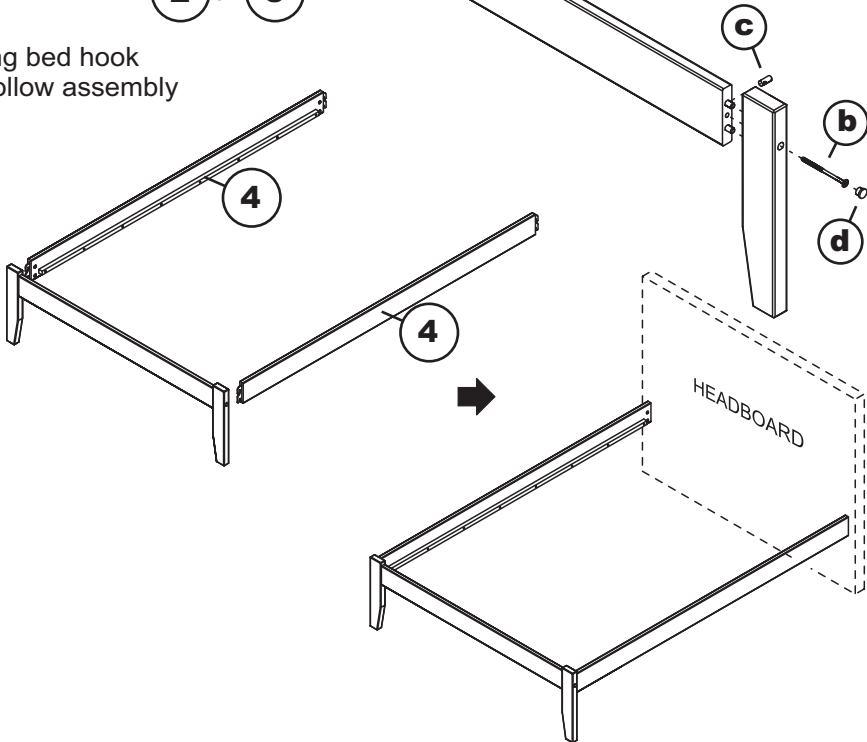
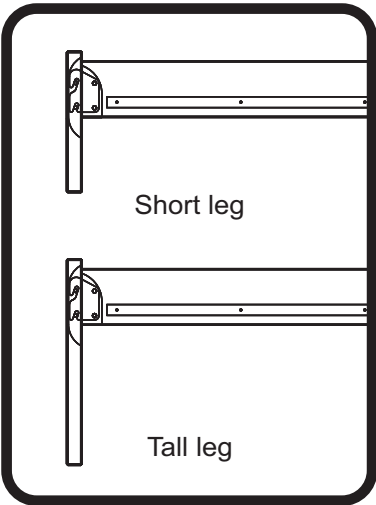
**Step 2**

Attach the legs (2) or (3) to end rail (1), using JCB M6 X 100mm (b) and barrel nut (c). Tighten with the Allen wrench (e). Cover holes with wood button (d).



**Step 3**

Attach side rails (4) to the end rail using bed hook as shown. For headboard assembly, follow assembly instructions included with headboard.



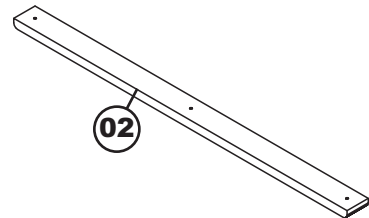
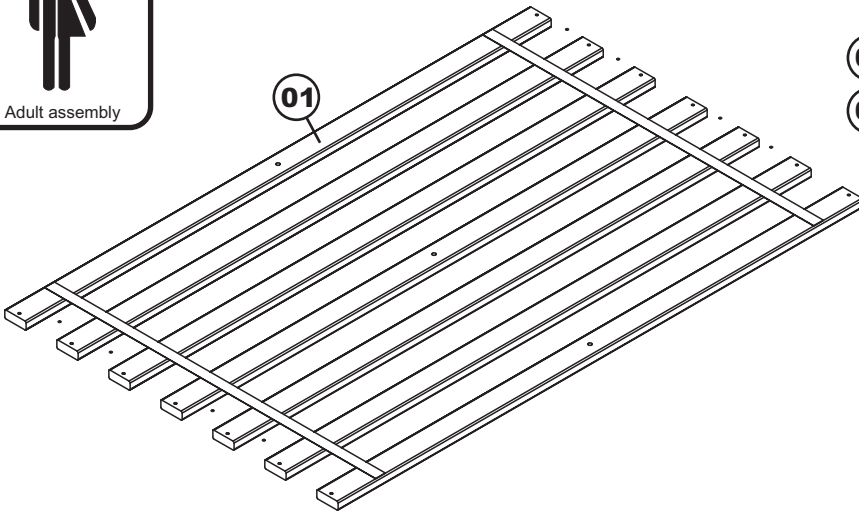
**PO:**

# ASSEMBLY INSTRUCTIONS



## PARTS LIST

01	SLAT SECTION	2 SET
02	SUPPORT RAIL	2 PCS



NOTE: WE INCLUDE SPARE HARDWARE IN CASE THE WOOD SCREWS ARE DAMAGED DURING ASSEMBLY.

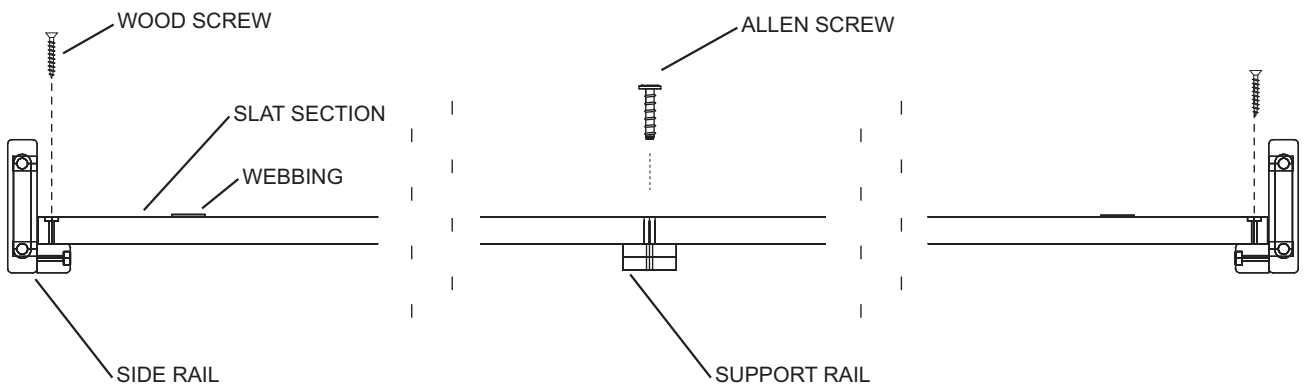
## HARDWARE

**A** Allen screw 1 1/2" (40mm) - 6 pcs  
Spare - 1 pc

**B** 1 1/4" Wood screw - 28 pcs  
Spare - 2 pcs

**C** Allen wrench - 1 pc  
Spare - 1 pc

## DETAIL ASSEMBLE VIEW



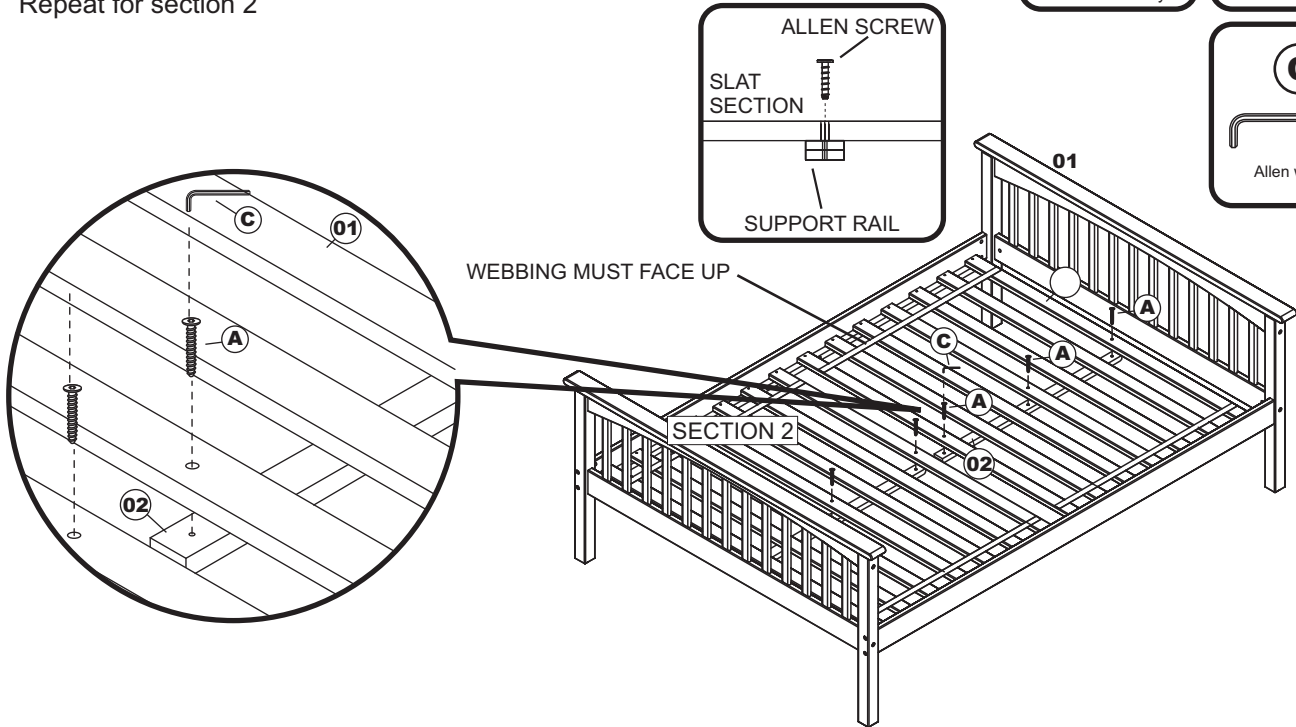
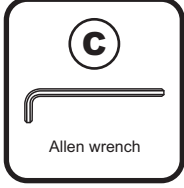
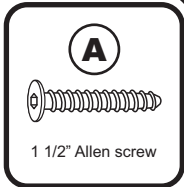

**PO :**

## Step 1

Assemble bed frame according to assembly instructions.

## Step 2

Lay the slat section onto the bed as shown. Attach support rail (02) to slat section (01) using Allen screw (A), tighten with the Allen wrench (C). Repeat for section 2



## Step 3

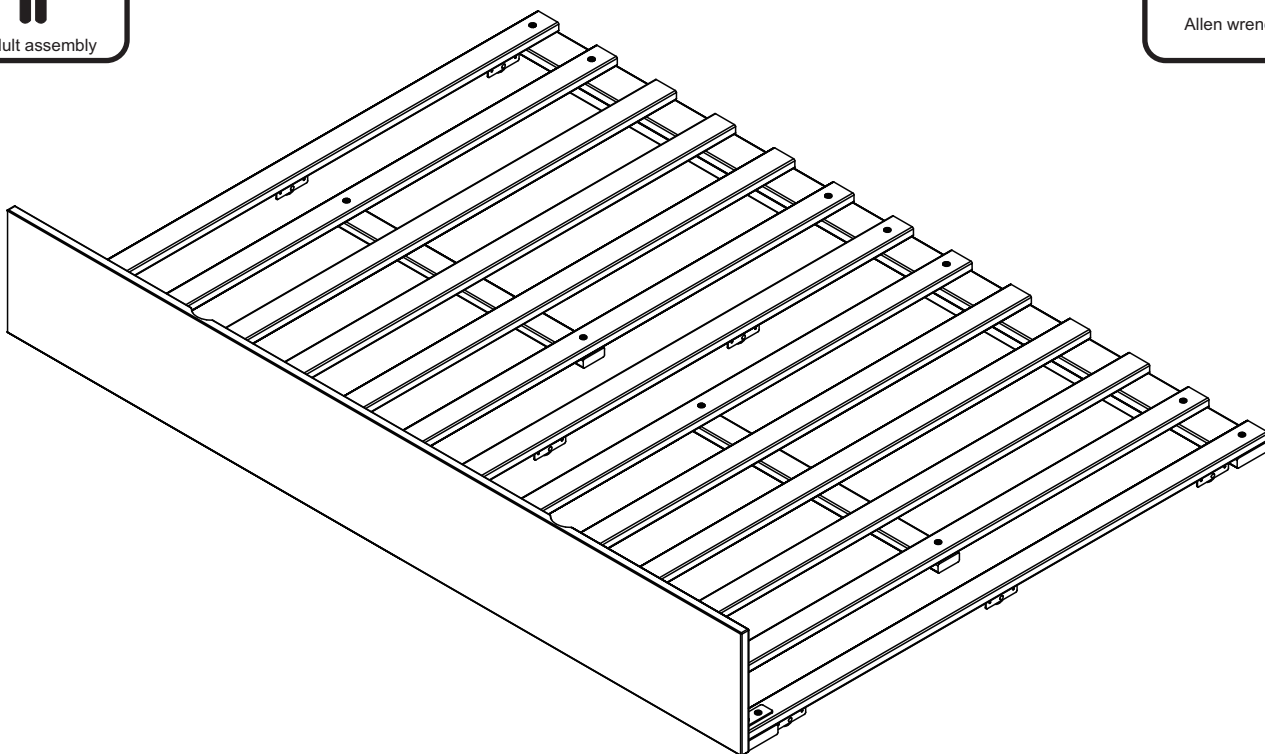
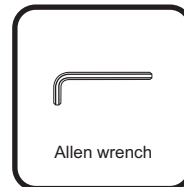
**Be sure to align slat section evenly with both ends of side rail.**

Screw slat section (01) to side rail, using wood screw (B). Tighten with Phillips screwdriver. (Customer supplied)

Be sure the space between slats is even.

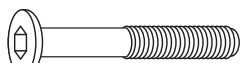


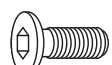
# ASSEMBLY INSTRUCTIONS

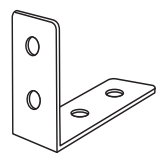


## HARDWARE

NOTE: WE INCLUDE SPARE HARDWARE IN CASE DAMAGE OCCURS DURING ASSEMBLY.

**A**  JCB M6 X 1 5/8" ( 40mm ) - 21 pcs  
Spare - 1 pc

**B**  JCB M6 X 5/8" ( 15mm ) - 6 pcs  
Spare - 1 pc  
Fix L bracket to front panel

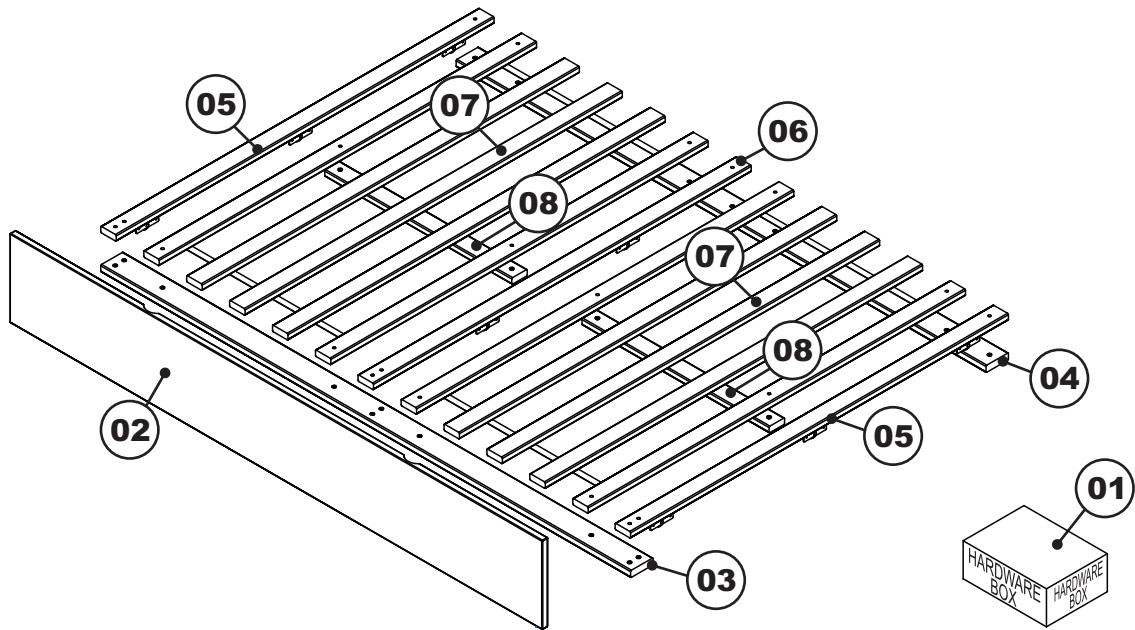
**C**  L Bracket - 3 pcs

**D**  Allen wrench - 1 pc  
Spare - 1 pc

FULL

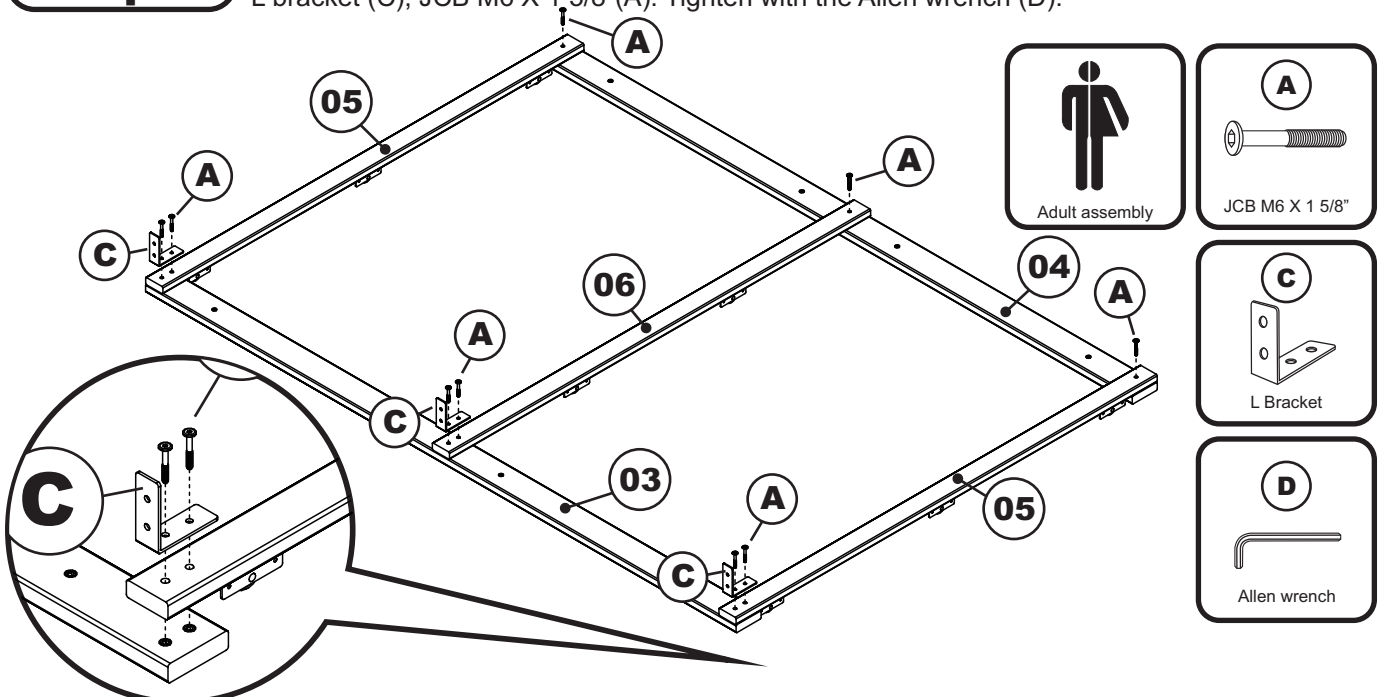
PARTS LIST

01	HARDWARE	1 BOX	05	SIDE CROSS RAIL	2 PCS
02	FRONT PANEL	1 PC	06	CENTER CROSS RAIL	1 PC
03	FRONT RAIL	1 PC	07	SLAT KIT	2 SET
04	BACK RAIL	1 PC	08	CENTER SLAT SUPPORT	2 PCS



Step 1

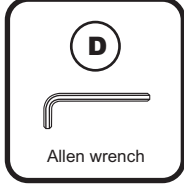
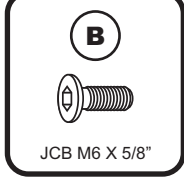
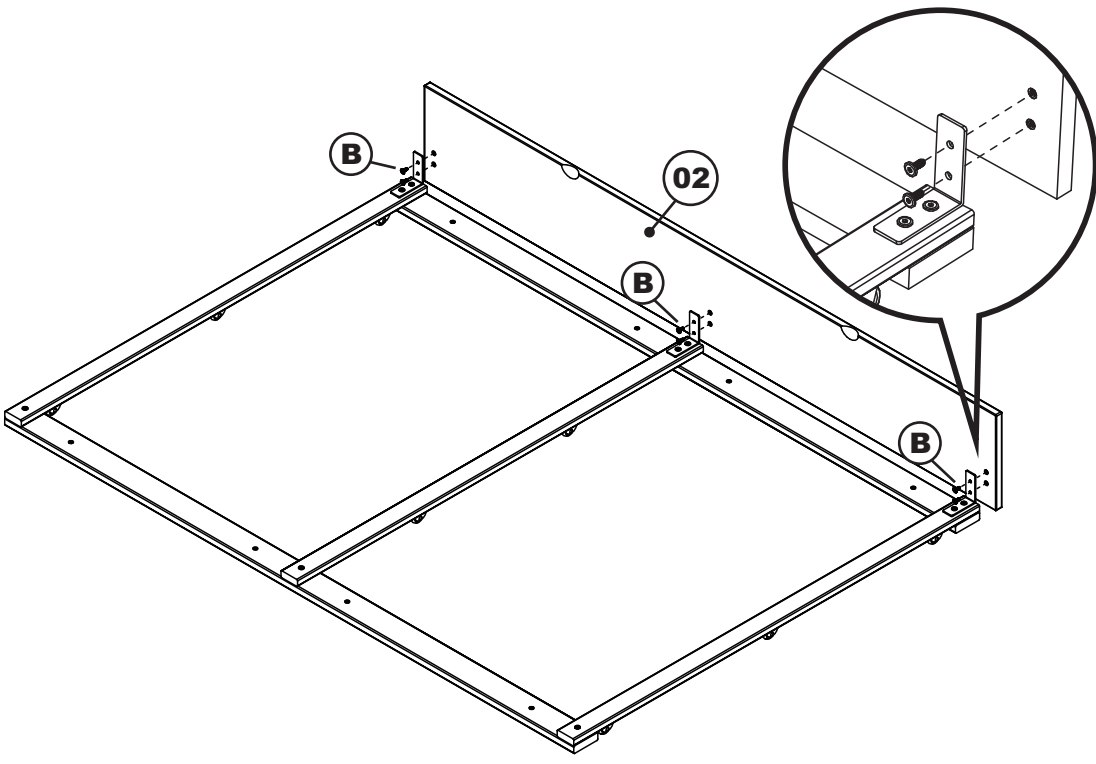
Attach the side cross rails (05) and center cross rail (06) to the front and back rail (03)(04), using L bracket (C), JCB M6 X 1 5/8"(A). Tighten with the Allen wrench (D).



**FULL**

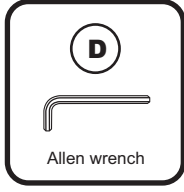
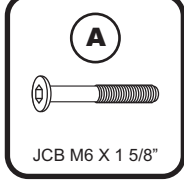
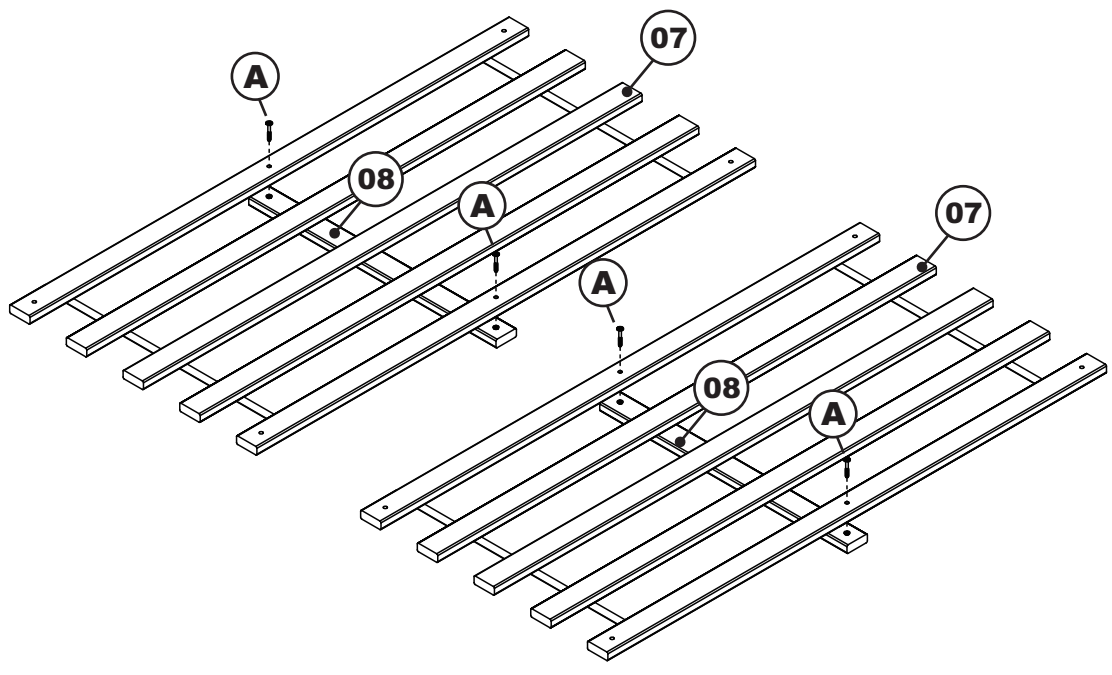
**Step 2**

Attach the front panel (02) to the front rail as shown, using JCB M6 X 5/8" (B). Tighten with the Allen wrench (D).



**Step 3**

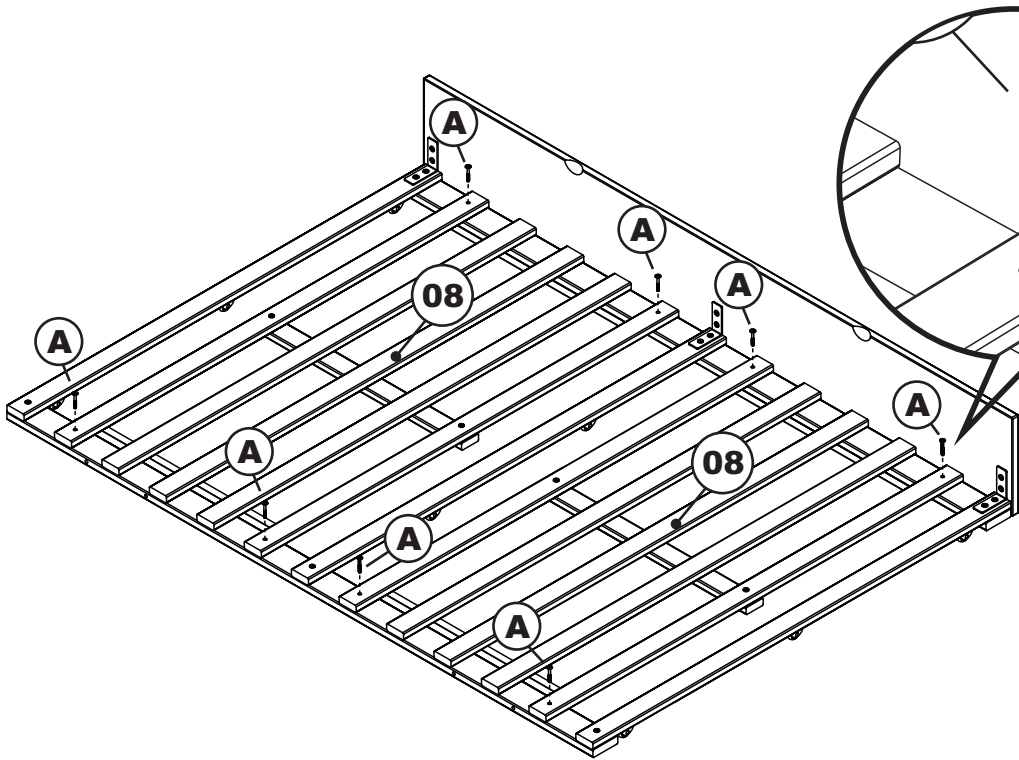
Attached center slat support(08) to the slat kit (07) as shown, using JCB M6 X 1 5/8" (A). Tighten with the Allen wrench (D).



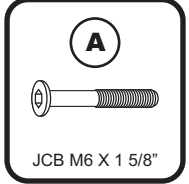
**FULL**

**Step 4**

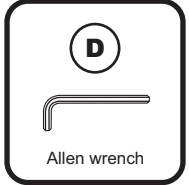
Lay the slat kit (07) onto the rail assembly as shown, using JCB M6 X 1 5/8" (A). Tighten with the Allen wrench (D).



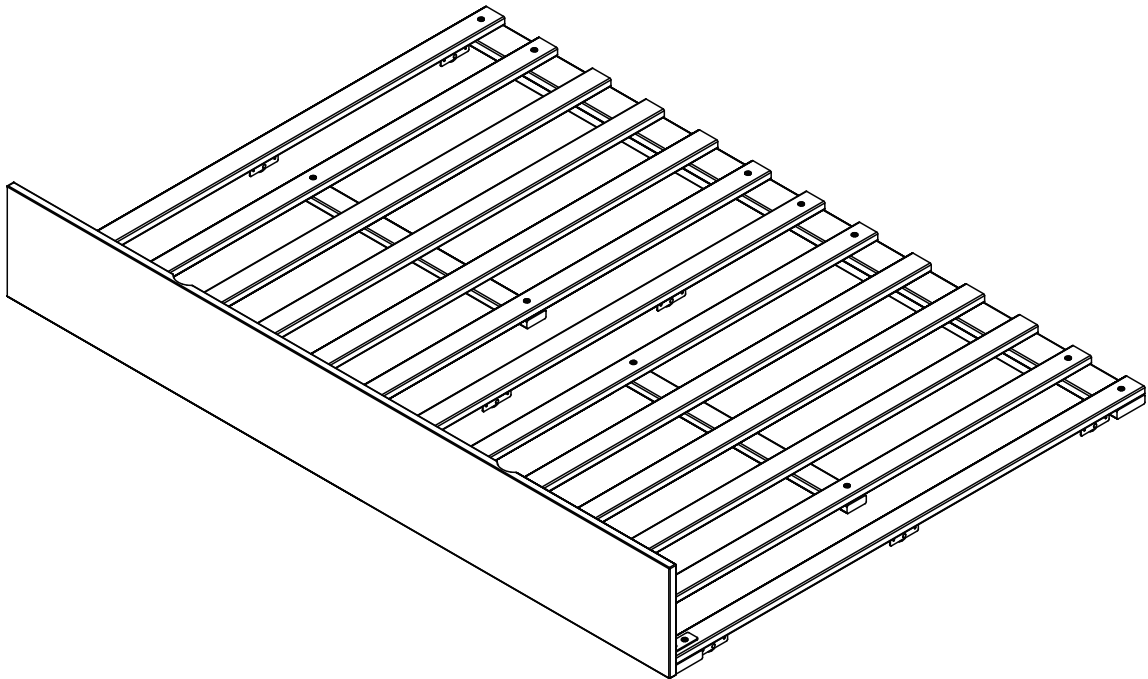
Adult assembly



JCB M6 X 1 5/8"



Allen wrench



**Congratulations!**

Your Trundle bed is now ready for use.  
We recommend that you periodically check that all screws are tight and all parts are secure to ensure lasting safety.