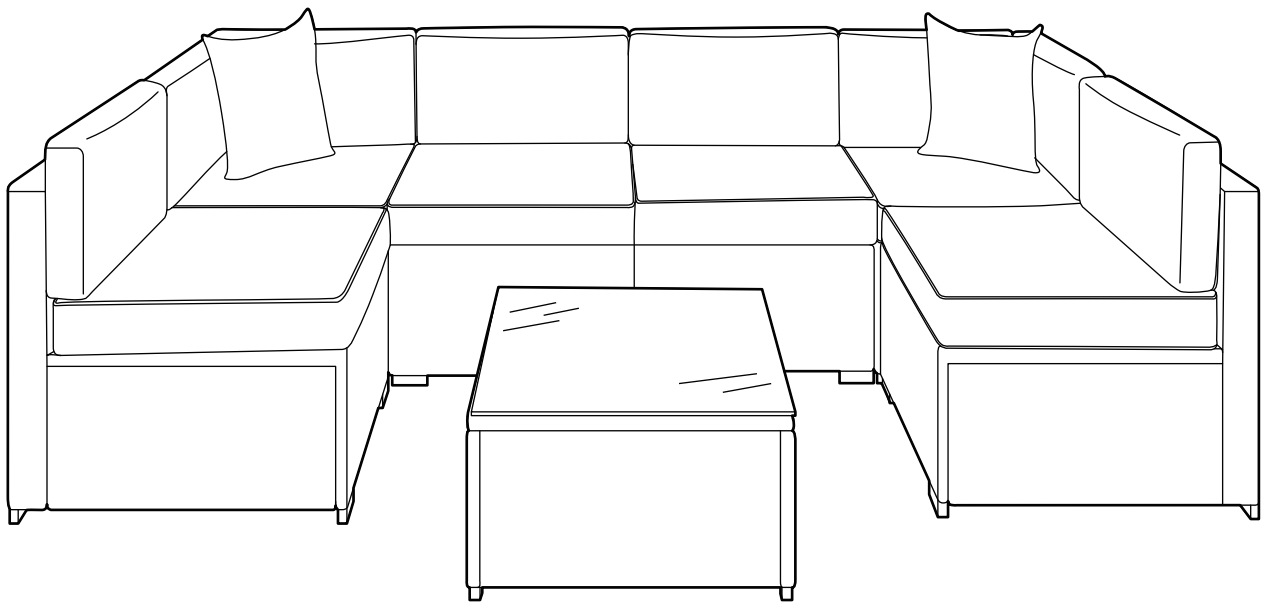


# Patio Conversation Set

---

THIS SHOULD BE EASY , JUST FOLLOW OUR SIMPLE INSTRUCTIONS .



## NOTICE

**Please retain these instructions for future reference.**

### Dear Customer

Thank you for your purchase.

When you receive the product, please make sure that all the parts are intact.

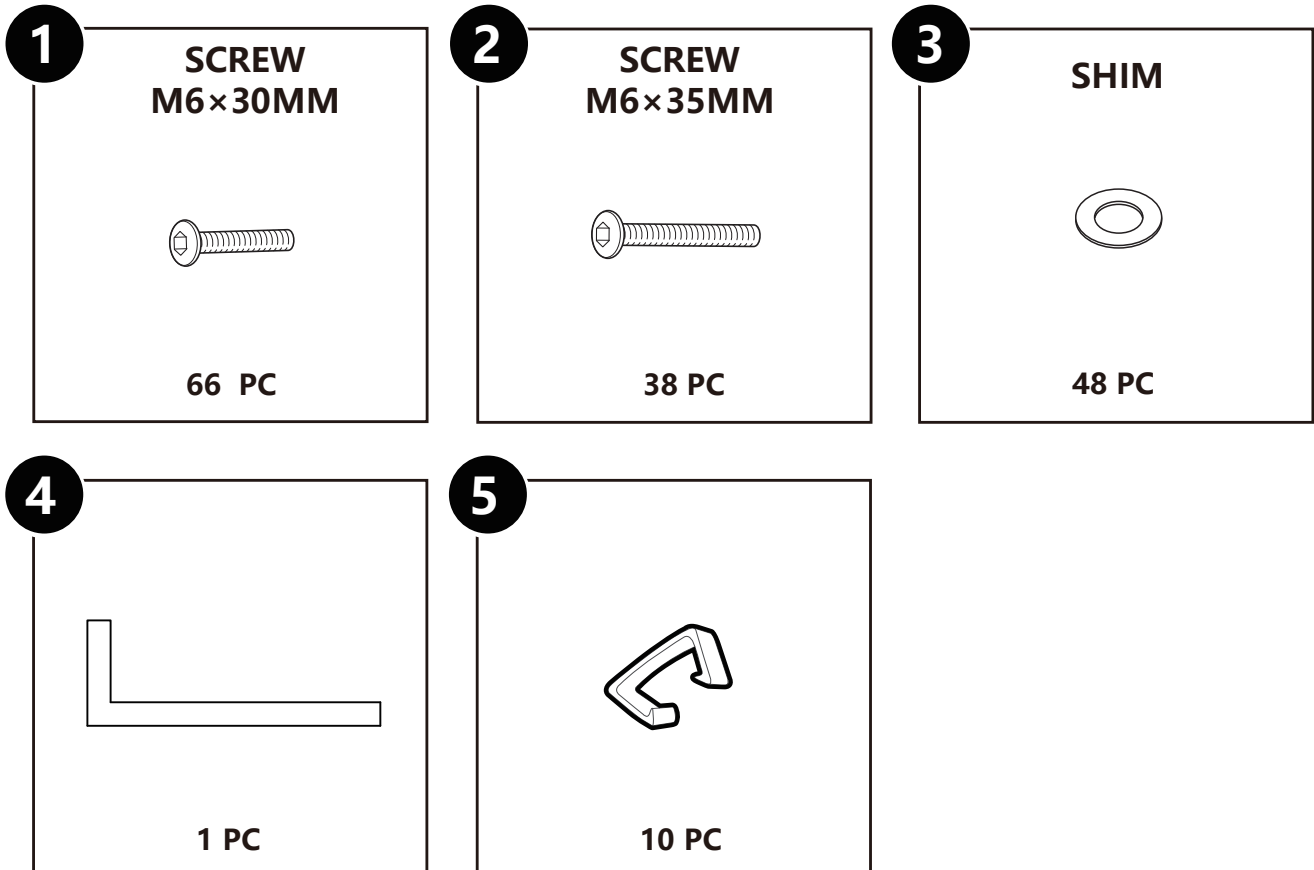
Then please browse the entire installation manual before assembly.

If problem occur unsatisfactorily as follows

- A** . The outer box is damaged
- B** . The product is damaged / bent / cracked while you open the box
- C** . The parts / accessories / assembly tools are missing
- D** . The product is hard to assemble
- E** . The instructions are not clear and can not be referred
- F** . The product has functional problems
- G** . Other aspects that you are not satisfied with

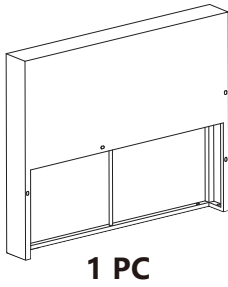
Please do not hesitate to contact us for help. Our team with factory direct after-sales service will reply within 24 hours and will do our best to resolve the problem for you.

## HARDWARE



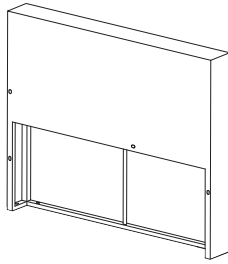
# PARTS

**A1** CORNER BACKREST  
- LEFT



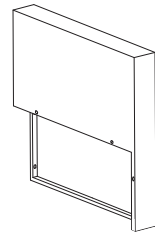
1 PC

**A2** CORNER BACKREST  
- RIGHT



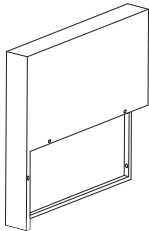
1 PC

**B1** CORNER SIDE  
- LEFT



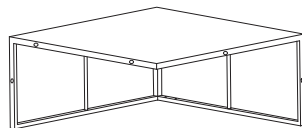
1 PC

**B2** CORNER SIDE  
- RIGHT



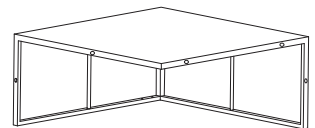
1 PC

**C1** CORNER SEAT  
- LEFT



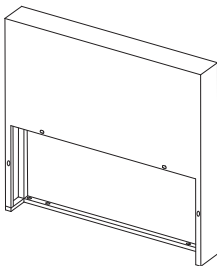
1 PC

**C2** CORNER SEAT  
- RIGHT



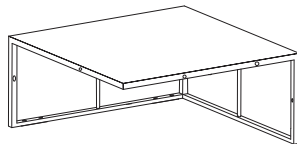
1 PC

**D** CHAIR BACKREST



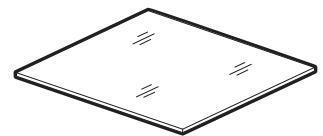
4 PC

**E** CHAIR SEAT



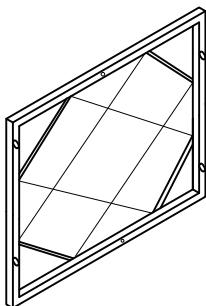
4 PC

**F** GLASS



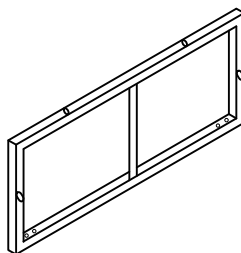
1 PC

**G** TABLETOP



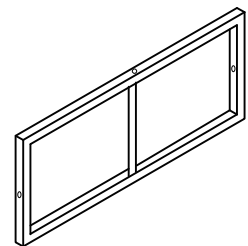
1 PC

**H** TABLE SIDE



2 PC

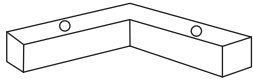
**I** CHAIR & TABLE PANEL



6 PC

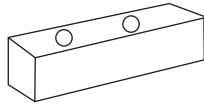
# PARTS

**J**



4 PC

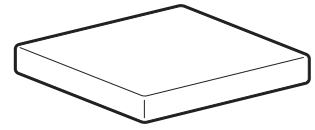
**K**



24 PC

**L**

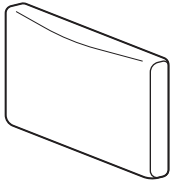
**CUSHION**



6 PC

**M1**

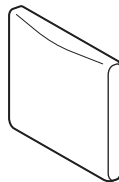
**CUSHION**



6 PC

**M2**

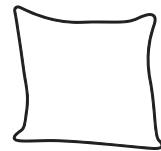
**CUSHION**



2 PC

**N**

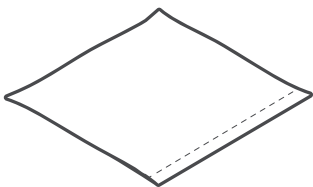
**PILLOW**



2 PC

**O**

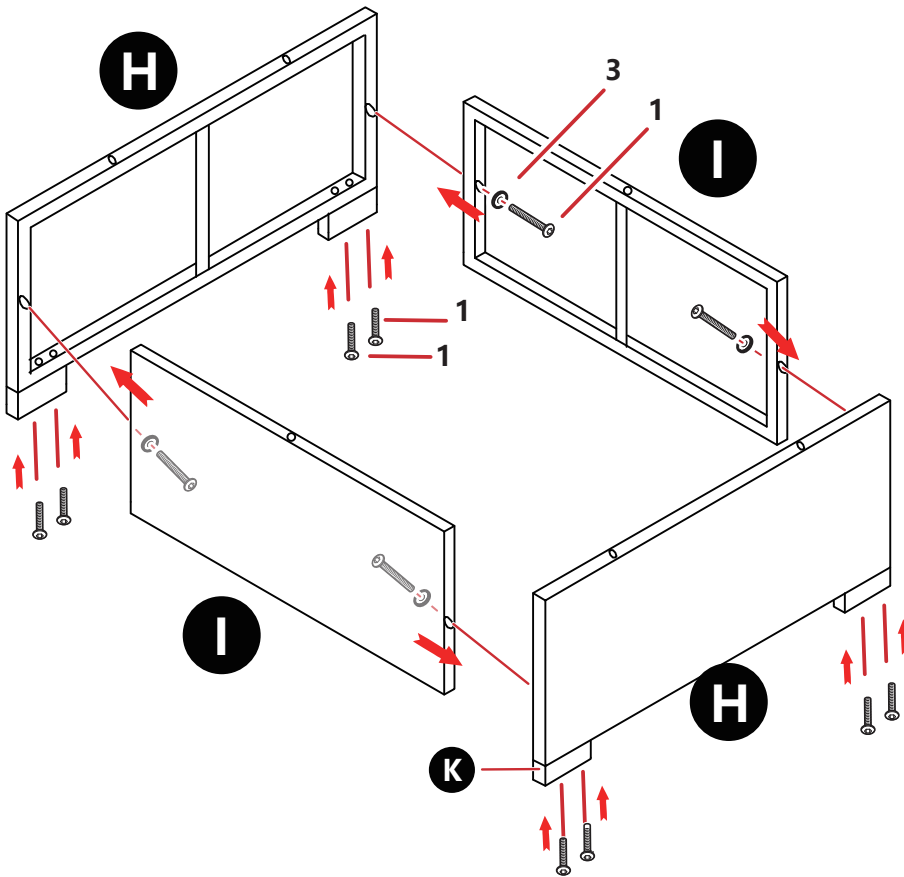
**COVER**

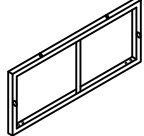

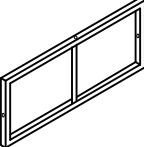

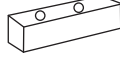


1 PC

# PRODUCT ASSEMBLY - TABLE

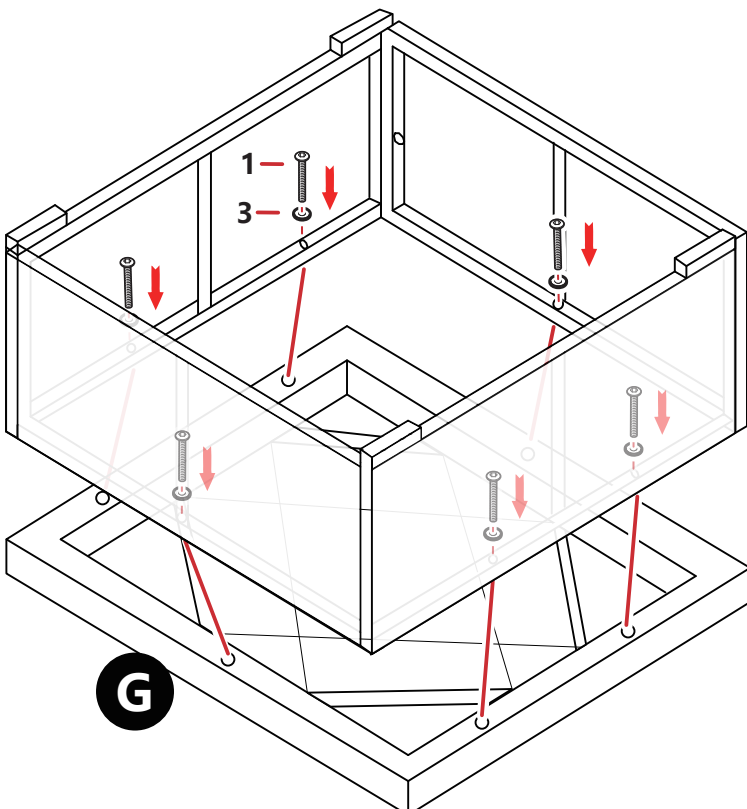
## Step 1

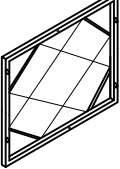




<p><b>H</b></p> <p>BACKREST</p>  <p>2 PC</p>	<p><b>1</b></p> <p>SCREW M6×30MM</p>  <p>12 PC</p>
<p><b>I</b></p> <p>BACKREST</p>  <p>2 PC</p>	<p><b>3</b></p> <p>SHIM</p>  <p>4 PC</p>
<p><b>K</b></p>  <p>4 PC</p>	

# PRODUCT ASSEMBLY - TABLE

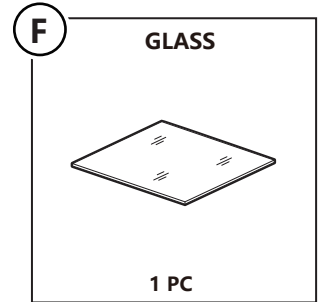
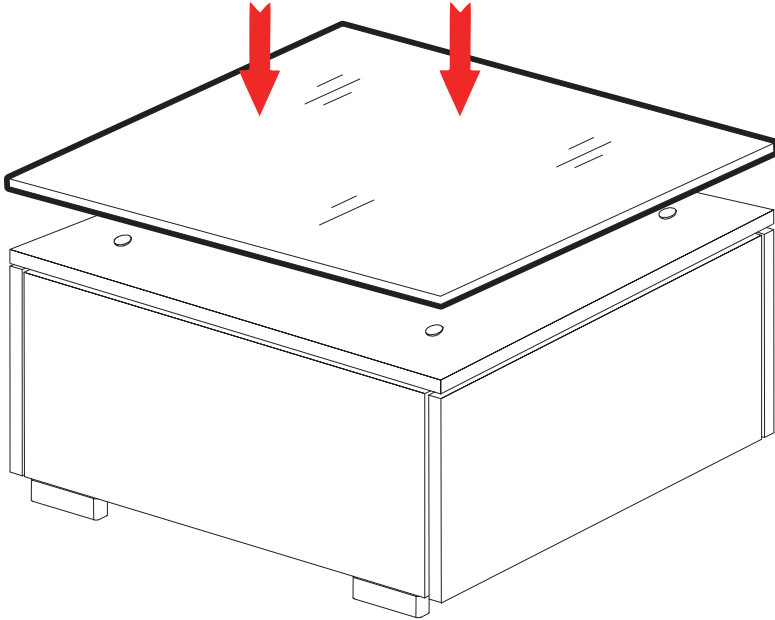
## Step 2



<p><b>G</b></p> <p>CHAIR BACKREST</p>  <p>1 PC</p>	<p><b>1</b></p> <p>SCREW M6×30MM</p>  <p>6 PC</p>
<p><b>3</b></p> <p>SHIM</p>  <p>6 PC</p>	

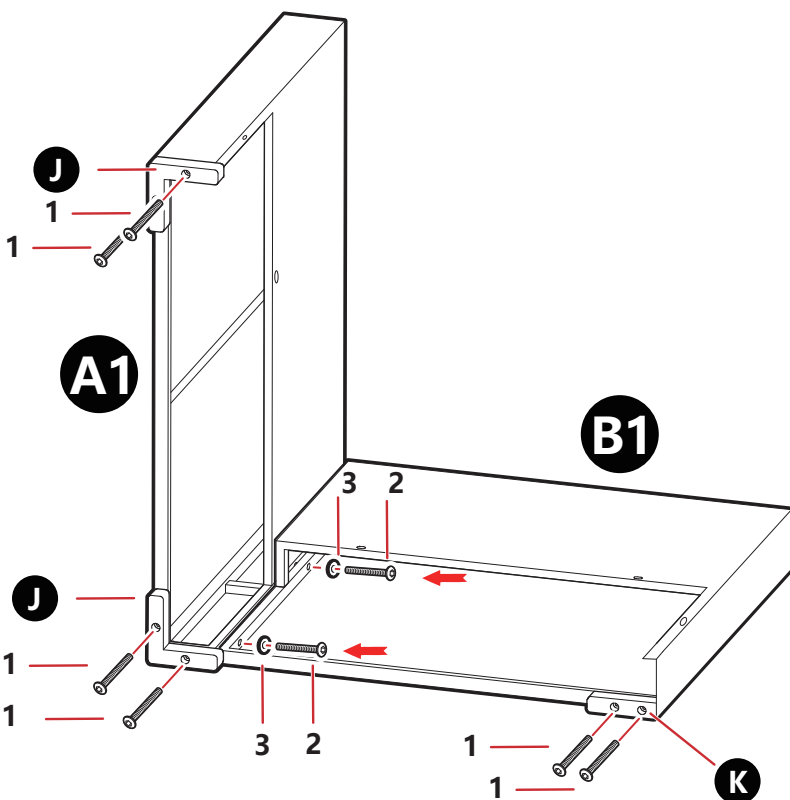
# PRODUCT ASSEMBLY - TABLE

## Step 3



# PRODUCT ASSEMBLY - LEFT CORNER CHAIR

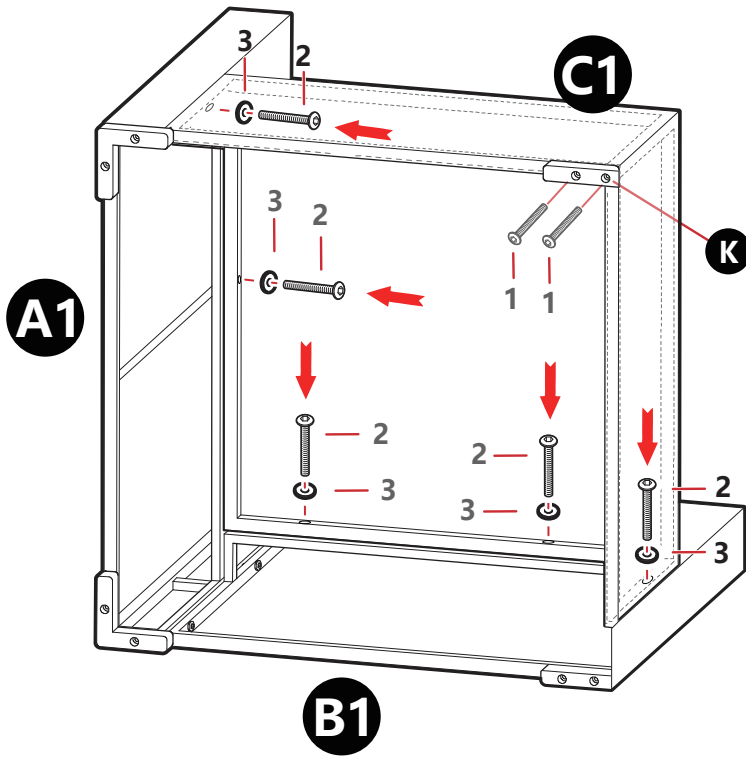
## Step 1




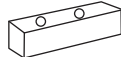
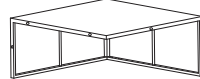


<b>A1</b>	<b>CORNER BACKREST - LEFT</b>	<b>B1</b>	<b>CORNER SIDE - LEFT</b>
	1 PC		1 PC
<b>1</b>	<b>SCREW M6×30MM</b>	<b>2</b>	<b>SCREW M6×35MM</b>
	6 PC		2 PC
<b>3</b>	<b>SHIM</b>	<b>K</b>	
	2 PC		1 PC
<b>J</b>			
	2 PC		

# PRODUCT ASSEMBLY - LEFT CORNER CHAIR

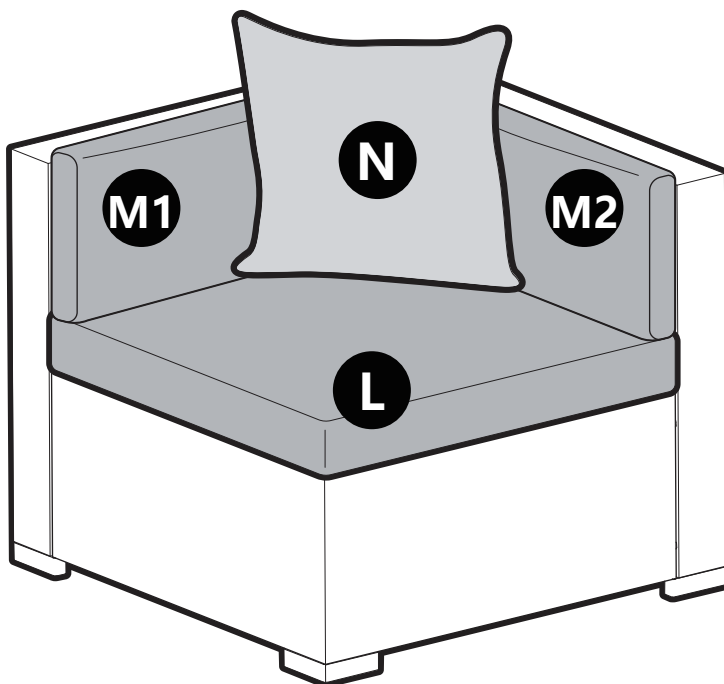
## Step 2

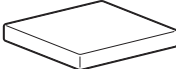
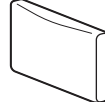



<p><b>2</b></p> <p>SCREW M6×35MM</p>  <p>5 PC</p>	<p><b>1</b></p> <p>SCREW M6×30MM</p>  <p>2 PC</p>
<p><b>3</b></p> <p>SHIM</p>  <p>5 PC</p>	<p><b>K</b></p>  <p>1 PC</p>
<p><b>C1</b></p> <p>CORNER SEAT - LEFT</p>  <p>1 PC</p>	

# PRODUCT ASSEMBLY - LEFT CORNER CHAIR

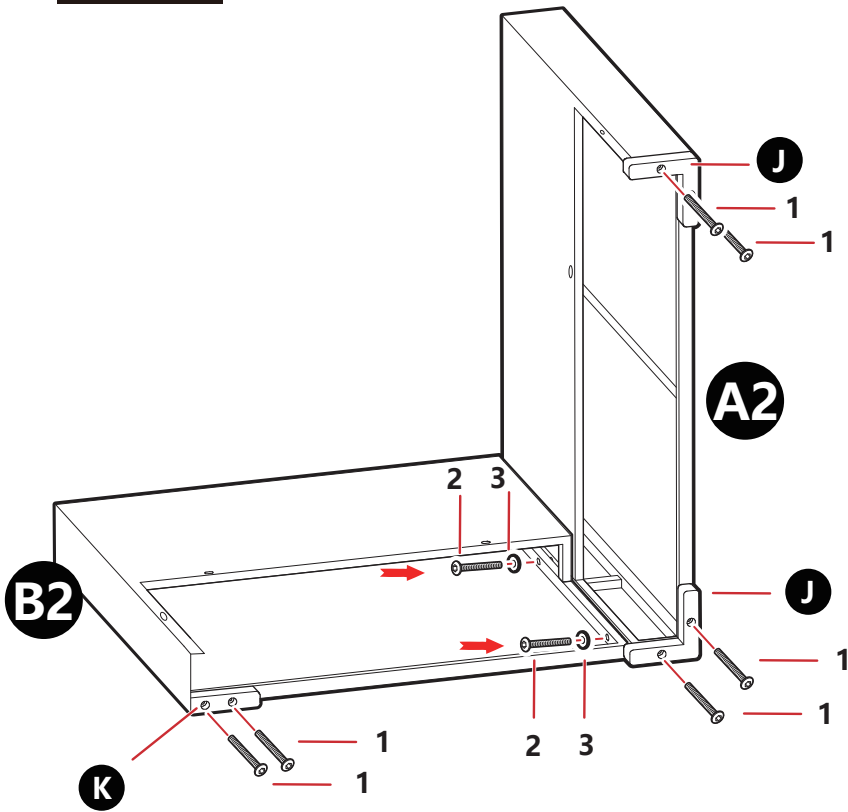
## Step 3 LEFT

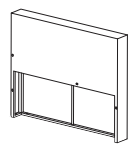
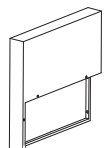
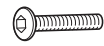


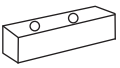
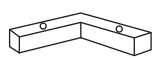


<p><b>L</b></p> <p>CUSHION</p>  <p>1 PC</p>
<p><b>M</b></p> <p>CUSHION</p>  <p>2 PC</p>
<p><b>N</b></p> <p>PILLOW</p>  <p>1 PC</p>

# PRODUCT ASSEMBLY - RIGHT CORNER CHAIR

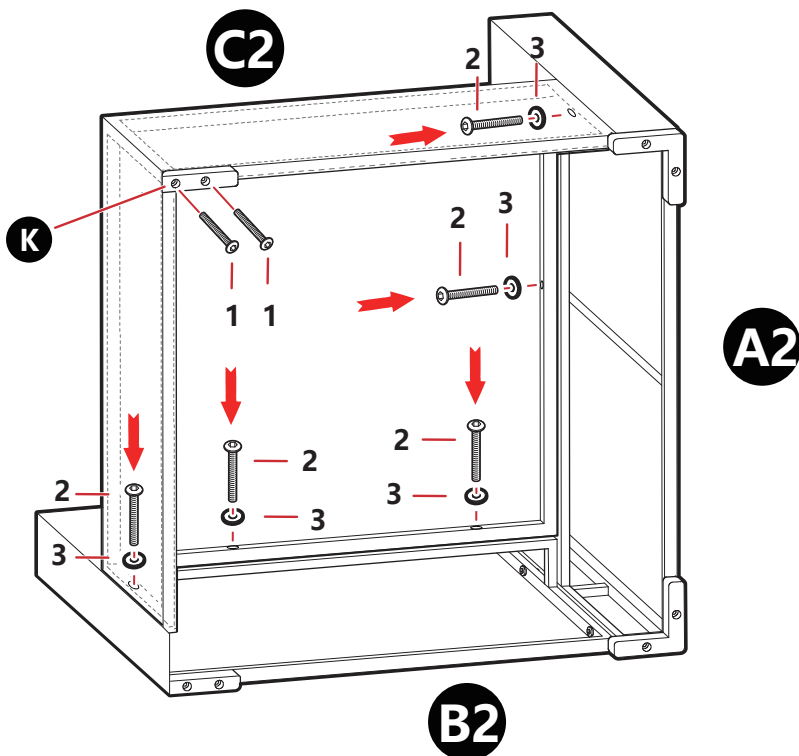
## Step 1




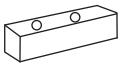
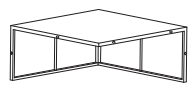


<b>A2</b>	<b>CORNER BACKREST - RIGHT</b>	<b>B2</b>	<b>CORNER SIDE - RIGHT</b>
			
	1 PC		1 PC
<b>1</b>	<b>SCREW M6×30MM</b>	<b>2</b>	<b>SCREW M6×35MM</b>
			
	6 PC		2 PC
<b>3</b>	<b>SHIM</b>	<b>K</b>	
			
	2 PC		1 PC
<b>J</b>			
			
	2 PC		

# PRODUCT ASSEMBLY - RIGHT CORNER CHAIR

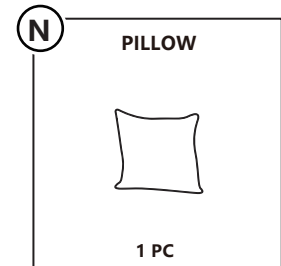
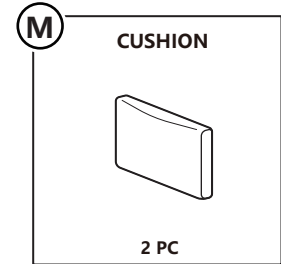
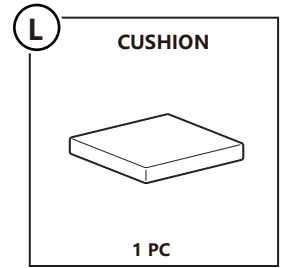
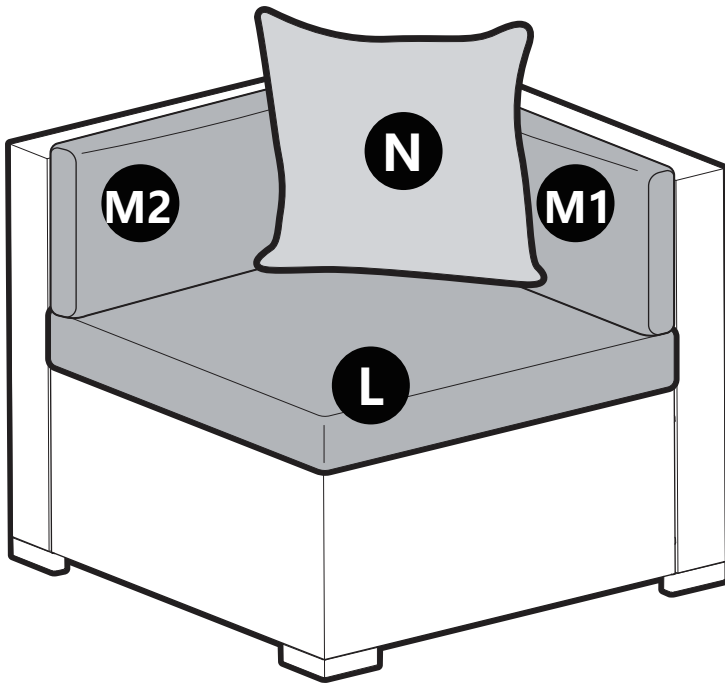
## Step 2



<b>2</b>	<b>SCREW M6×35MM</b>	<b>1</b>	<b>SCREW M6×30MM</b>
			
	5 PC		2 PC
<b>3</b>	<b>SHIM</b>	<b>K</b>	
			
	5 PC		1 PC
<b>C2</b>	<b>CORNER SEAT - RIGHT</b>		
			
	1 PC		

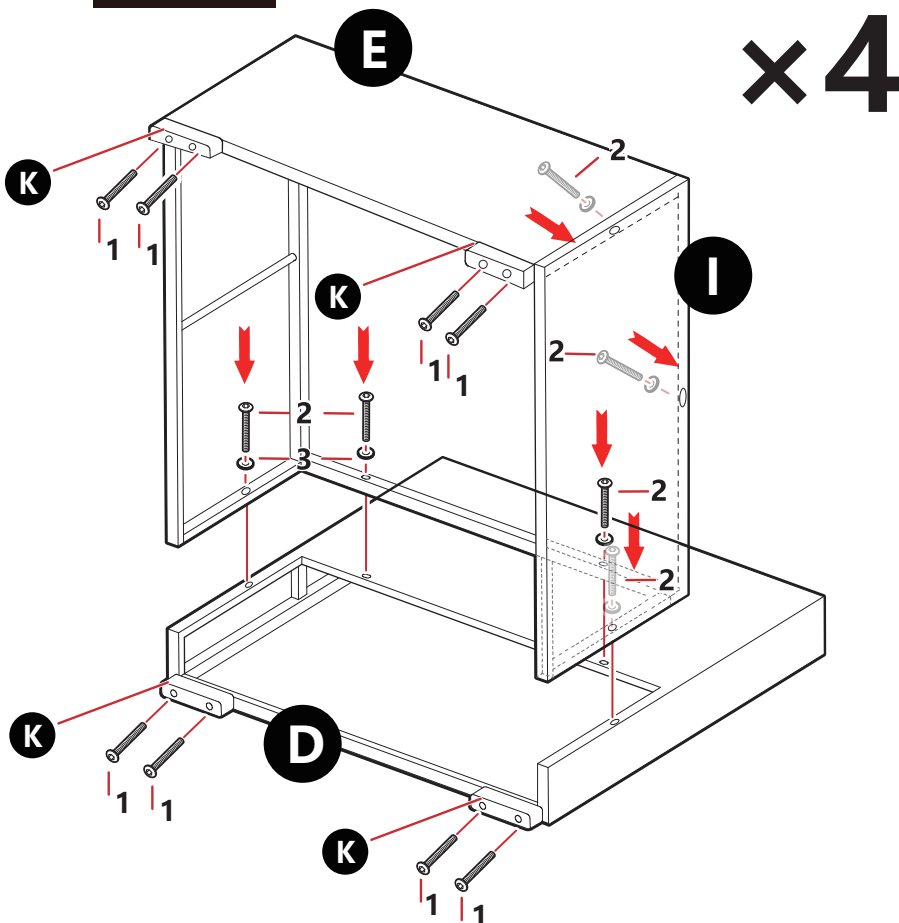
# PRODUCT ASSEMBLY - RIGHT CORNER CHAIR

## Step 3 RIGHT



# PRODUCT ASSEMBLY - CHAIR

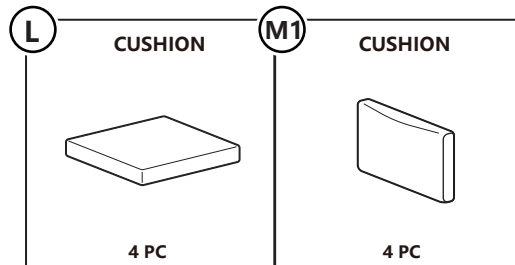
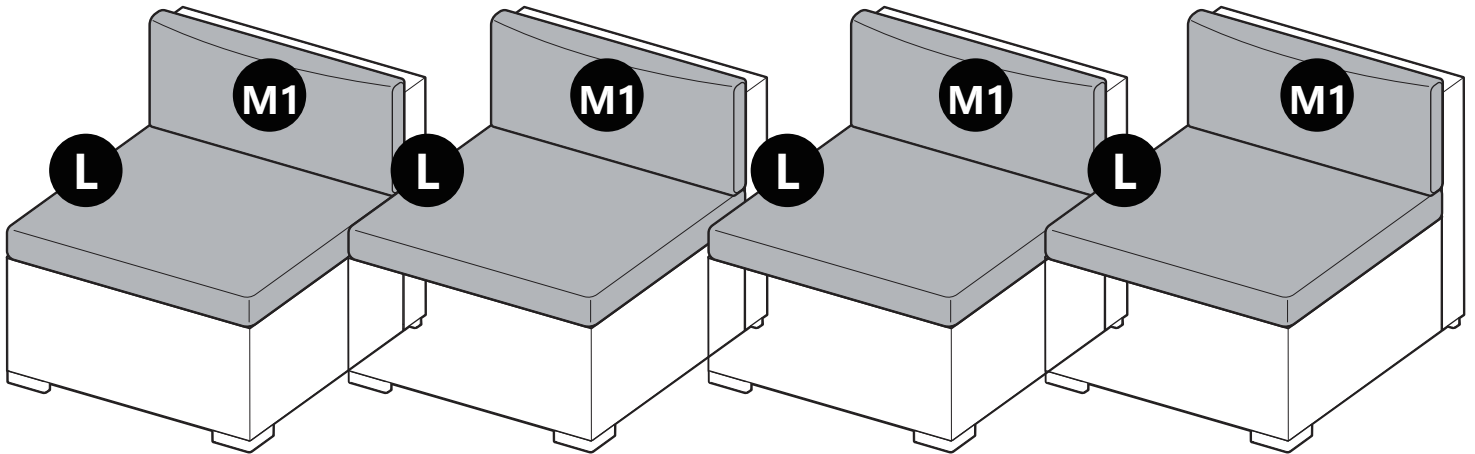
## Step 1



<b>E</b> TABLETOP	<b>3</b> SHIM
 4 PC	 24 PC
<b>D</b> CHAIR BACKREST	<b>1</b> SCREW M6×30MM
 4 PC	 32 PC
<b>I</b> CORNER SEAT	<b>2</b> SCREW M6×35MM
 4 PC	 24 PC
<b>K</b>	
 16 PC	

## PRODUCT ASSEMBLY - CHAIR

### Step 2



## STORAGE & SECURING CLAMPS

Use ten part 5 clamps to secure chairs and corner chairs together to form the sectional.

Use two clamps per section, where the chairs meet together.

