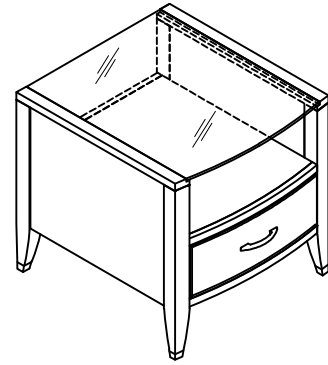


ASSEMBLY INSTRUCTIONS

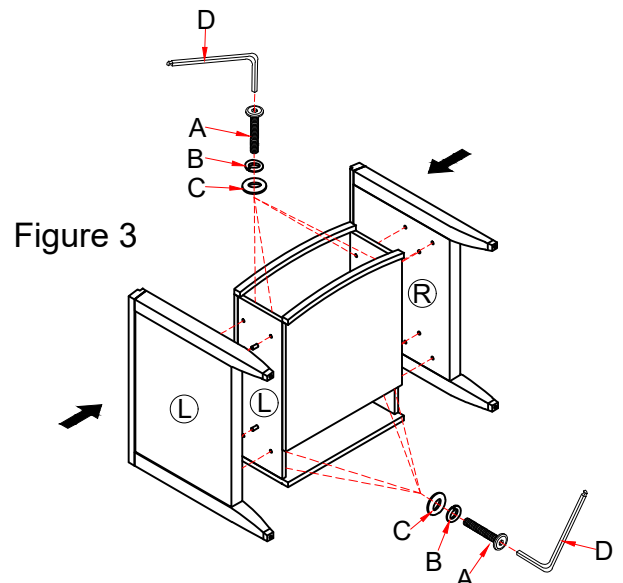
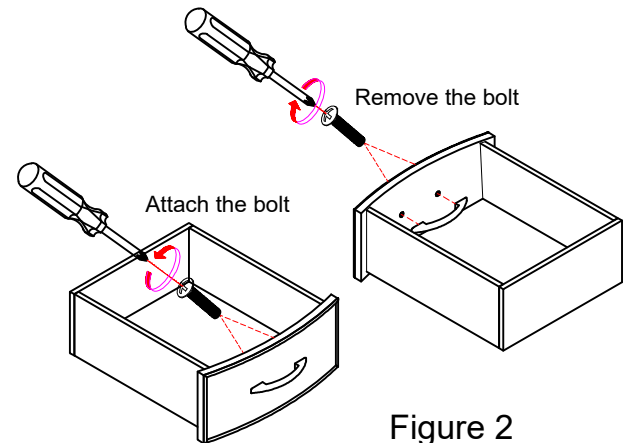
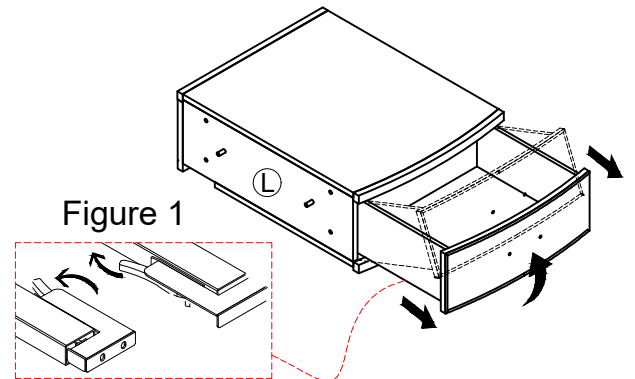







BEFORE YOU START:

1. Check the hardware against the hardware list to make sure all items are present.
2. Assemble your furniture on a soft, flat surface to avoid scratching the finish.
3. **CAUTION:** Do not over tighten screws, nuts or bolts during assembly.
4. Your furniture may require occasional tightening.

INSTRUCTIONS:

1. Put Table on to a clean, soft surface. Pull the drawer out by hands then press the locking device with your hands softly in the direction of the arrow and remove the drawer. (See Figure 1).
2. Remove the bolts and handle to install on the outside . (See Figure 2).
3. Attach left leg frame and right leg frame on the table using Flat washer (C), Lock Washer (B) Bolt (A) with Allen Key (D) .(See Figure 3).
4. Place the table upright. Fully open the slides, push the drawer down on the slides, then close the drawer. (See Figure 4).
5. Attach glass support buttons (E) to the table (See Figure 5).
6. Then put the glass on the Table.(See Figure 6).
7. Adjust the level up and down to level the table. Your table is now ready for use.



No.	Hardware List		Q'ty
A		Bolt Ø1/4 x 1-1/4"	8
B		Lock Washer Ø1/4"	8
C		Flat Washer Ø1/4"*Ø3/4	8
D		Allen Key (100*50*4mm)	1
E		Glass support buttons	4

ASSEMBLY INSTRUCTIONS

BEFORE YOU START:

1. Check the hardware against the hardware list to make sure all items are present.
2. Assemble your furniture on a soft, flat surface to avoid scratching the finish.
3. **CAUTION:** Do not over tighten screws, nuts or bolts during assembly.
4. Your furniture may require occasional tightening.

INSTRUCTIONS:

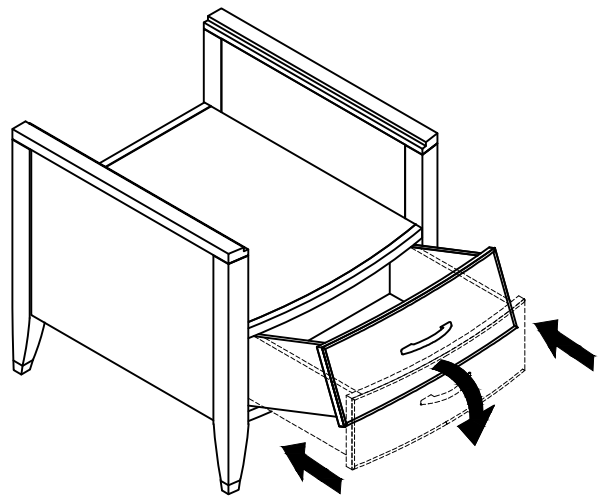
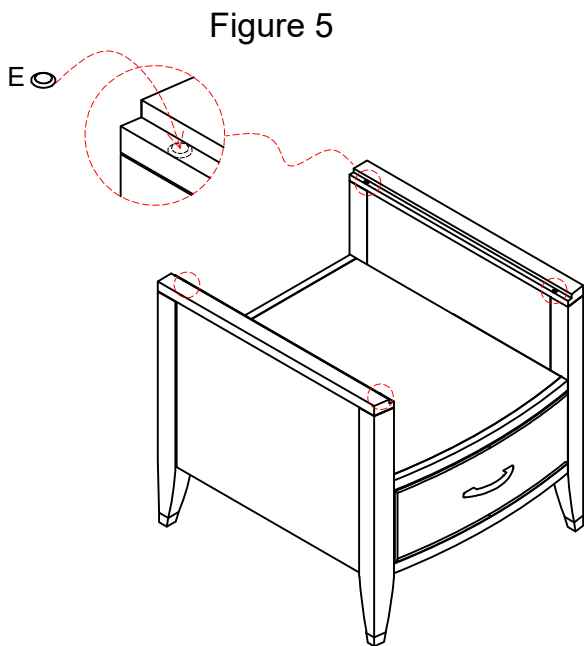


Figure 4

