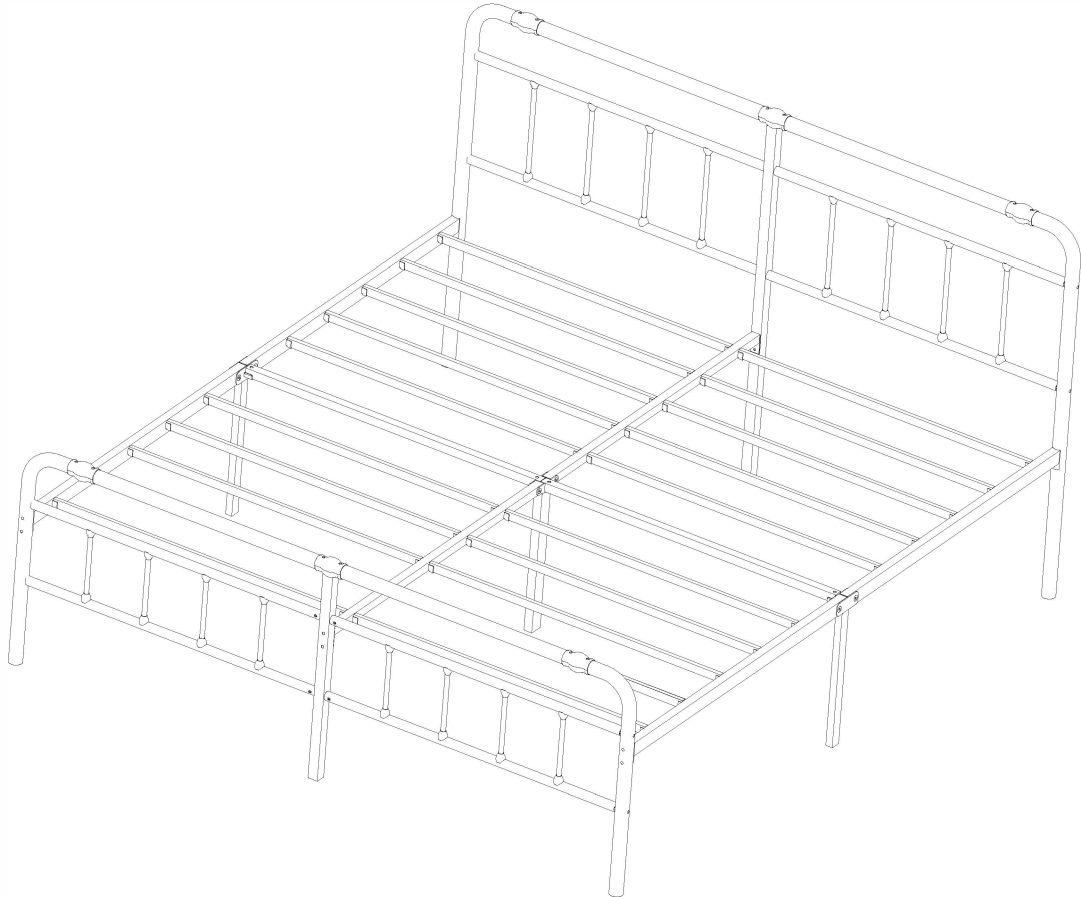
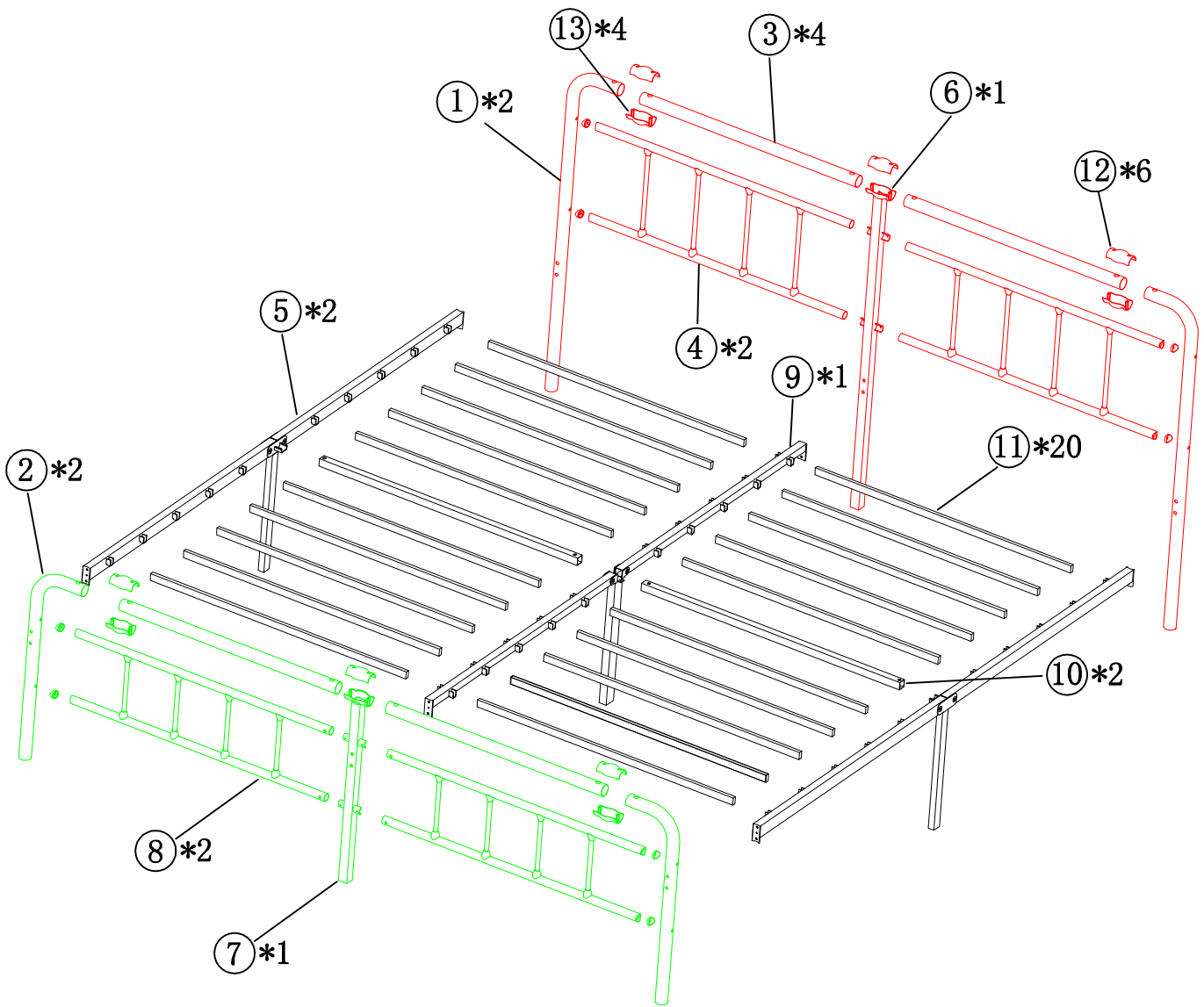



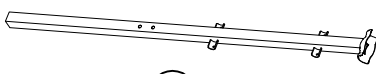

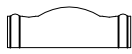

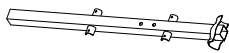



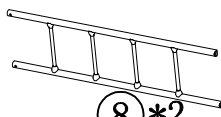


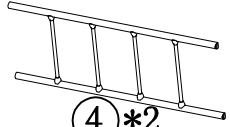



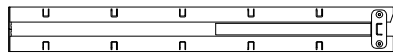



# ASSEMBLY INSTRUCTION

Dear Customer:

1. Do not skip steps.
2. Do not fully tighten screws until all the bed parts are assembled.
3. If you have any questions about the product, please don't hesitate to contact us. You can reach us through your order. Thanks for your support!

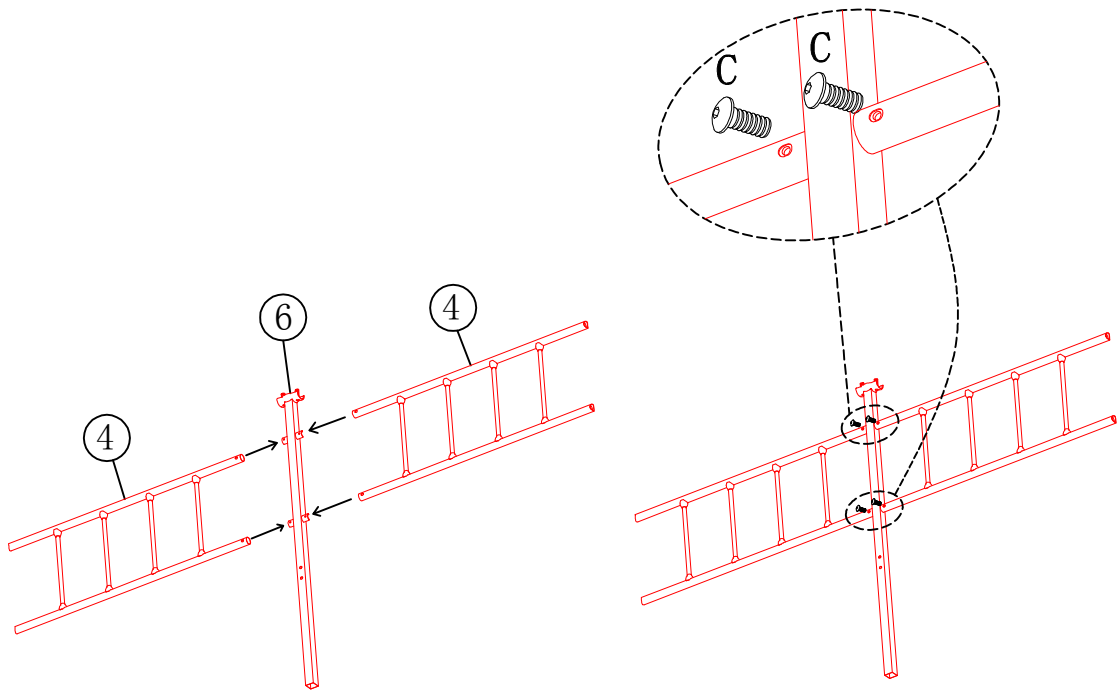




 ①*2	 ⑥*1	 ⑪*20	 ⑫*6
 ②*2	 ⑦*1	 A*9 (M8*56)	 ⑬*4
 ③*4	 ⑧*2	 B*13 (M6*35)	 E*5 (M8*35)
 ④*2	 ⑨*1	 C*9 (M6*10)	 F*1
 ⑤*2	 ⑩*2	 D*13 (M8*47)	 G*8

# Step 1

C\*4  
(M6\*10)

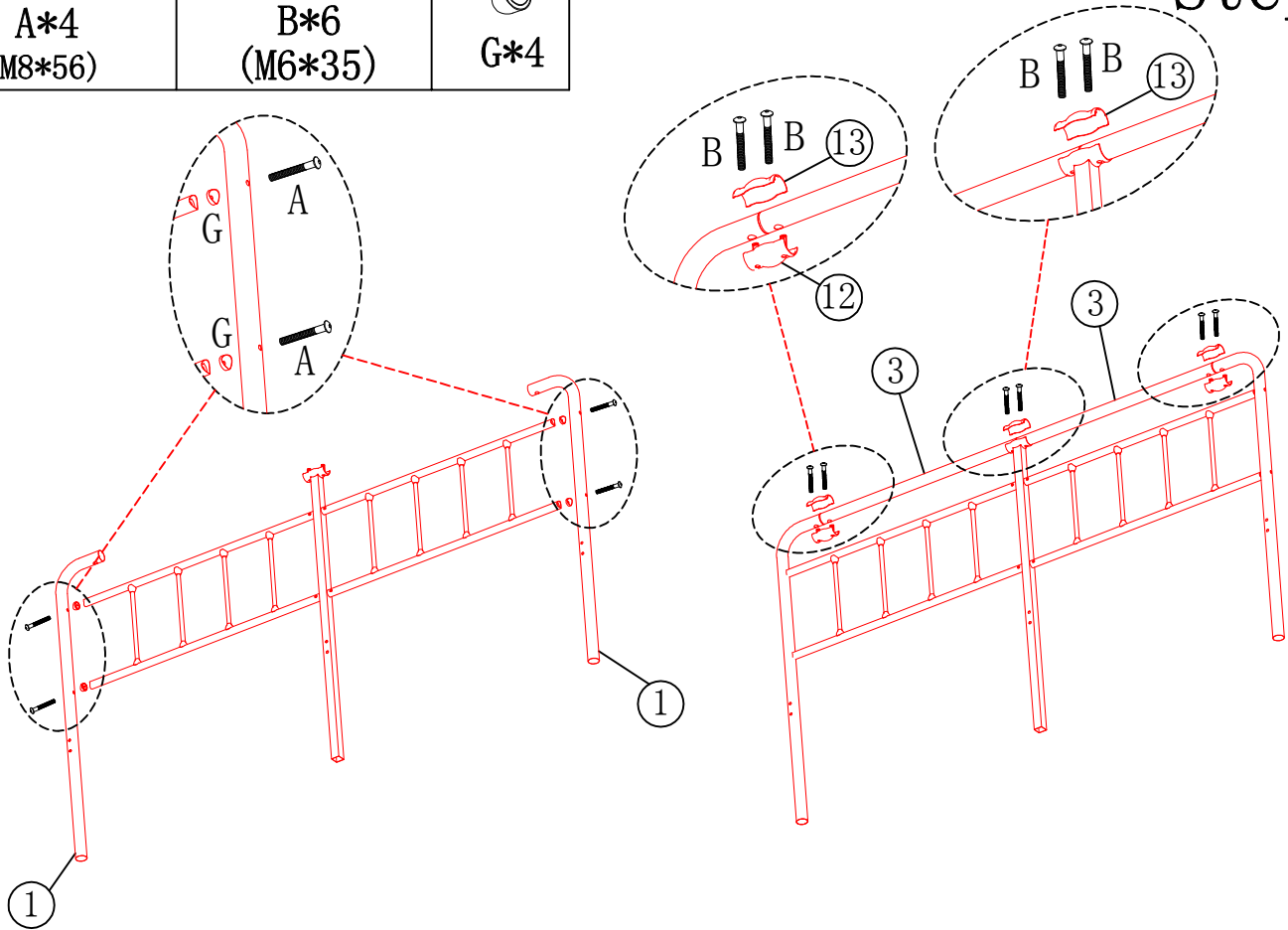


A\*4  
(M8\*56)


B\*6  
(M6\*35)

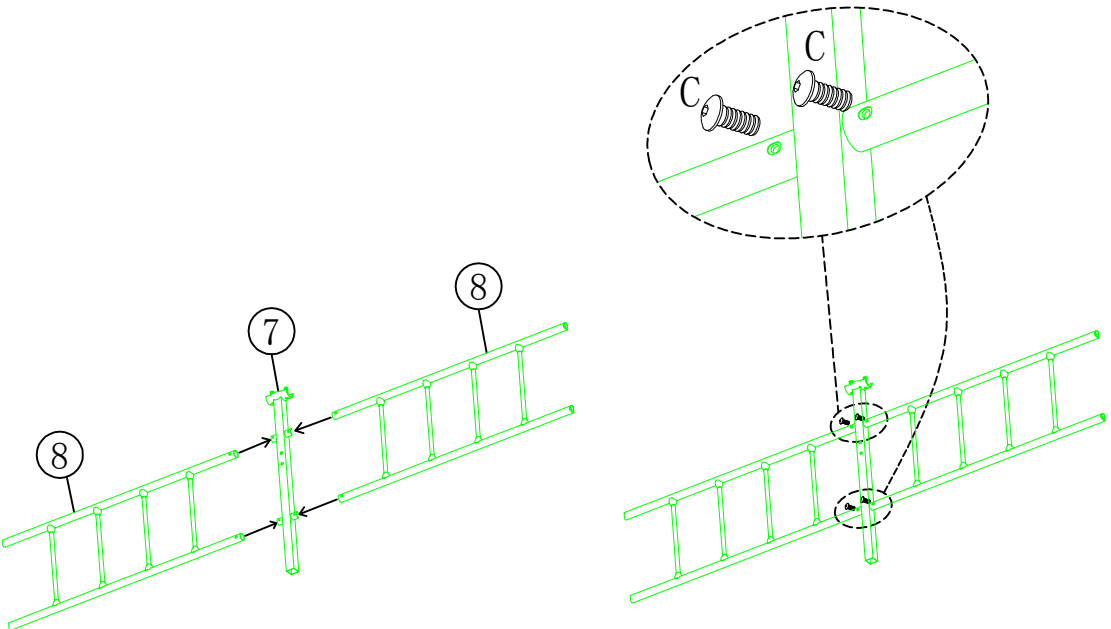
G\*4

# Step 2




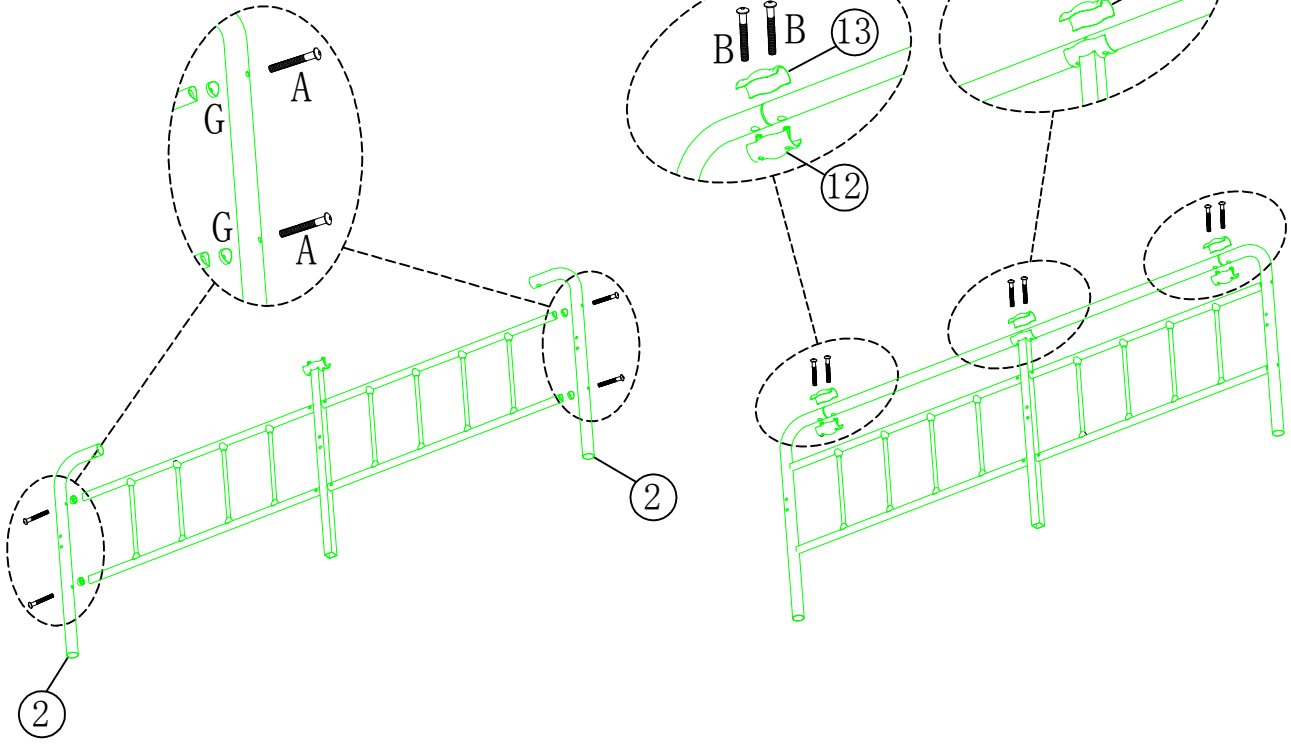
# Step3

  
C\*4  
(M6\*10)

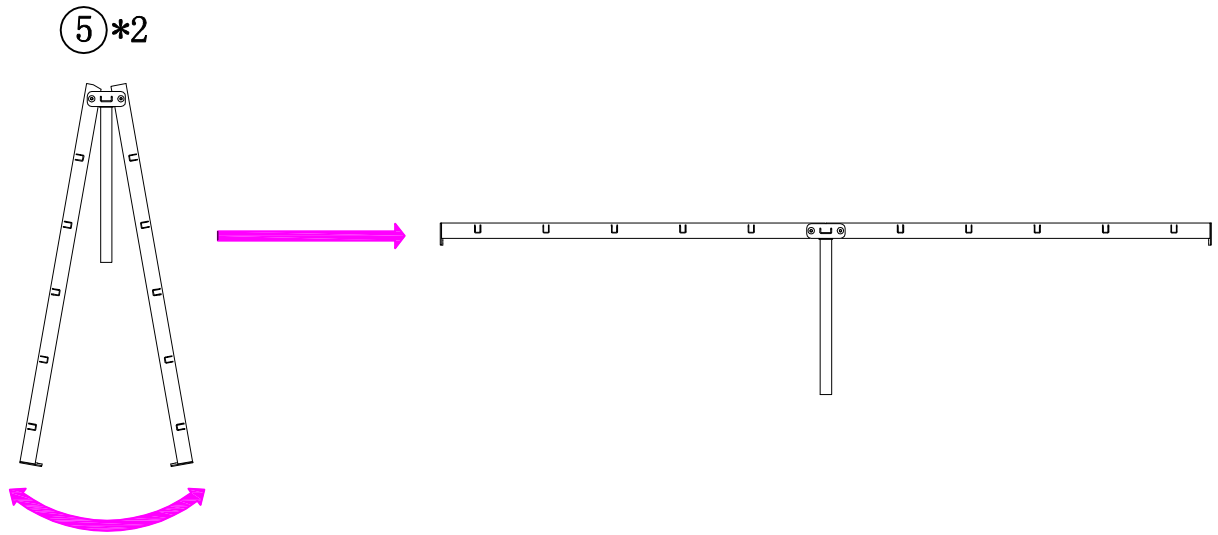


# Step4

 A*4 (M8*56)	 B*6 (M6*35)	 G*4
--	---	--

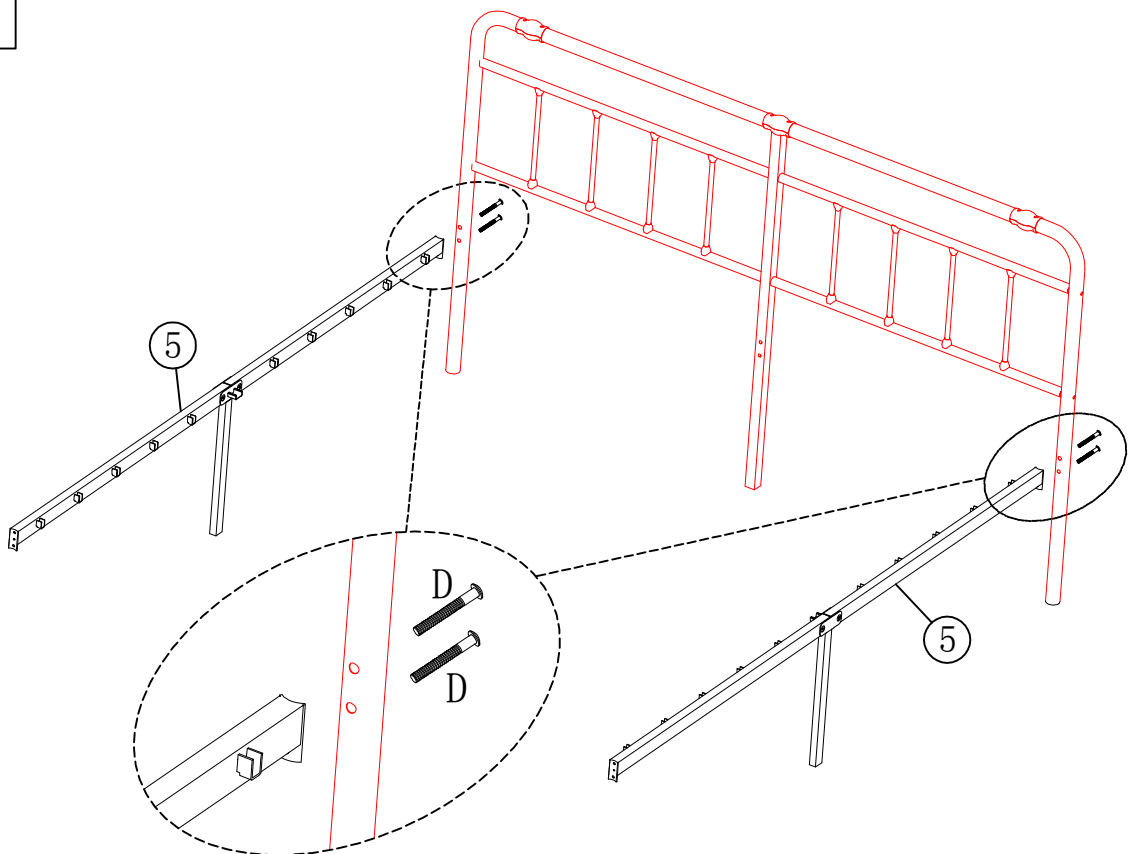


# Step 5



D\*4  
(M8\*47)

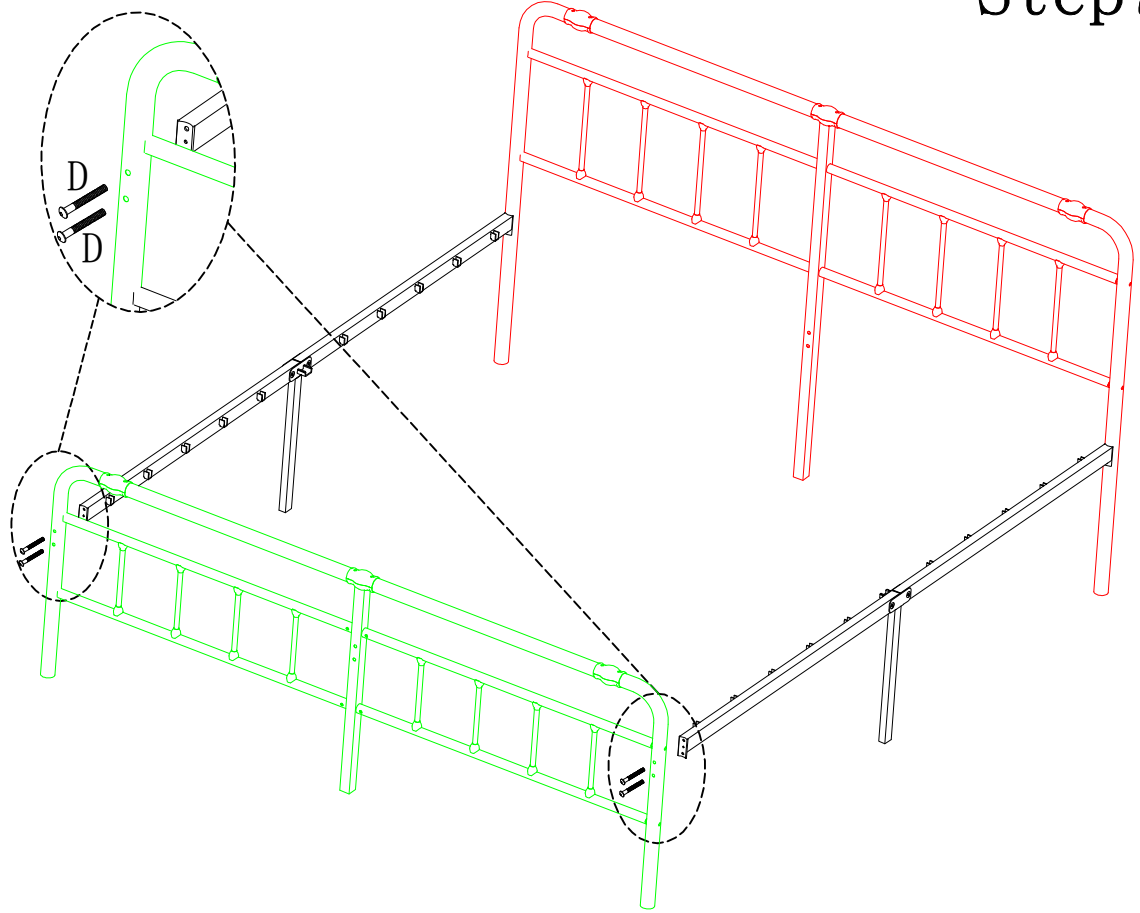
# Step 6



# Step7

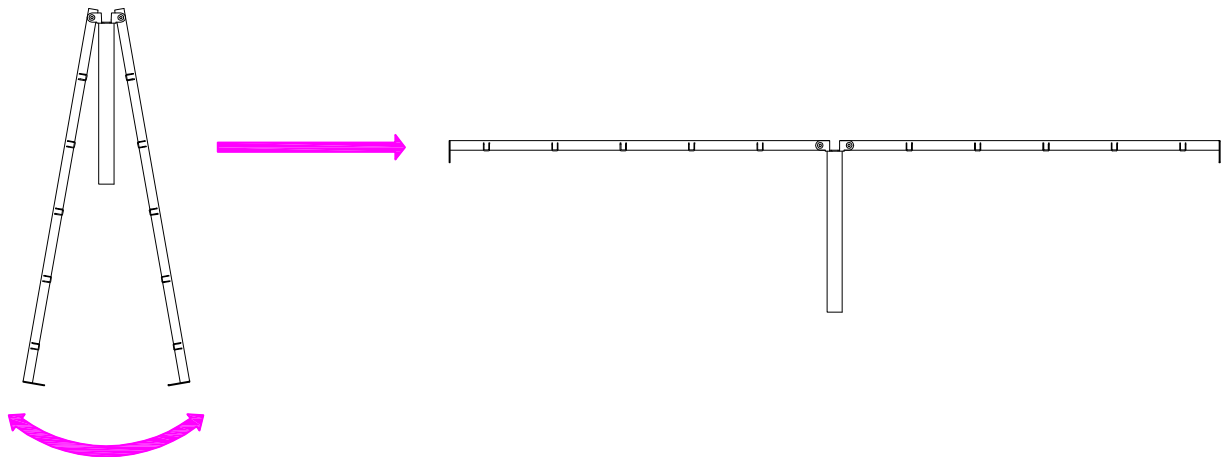


D\*4  
(M8\*47)



# Step8

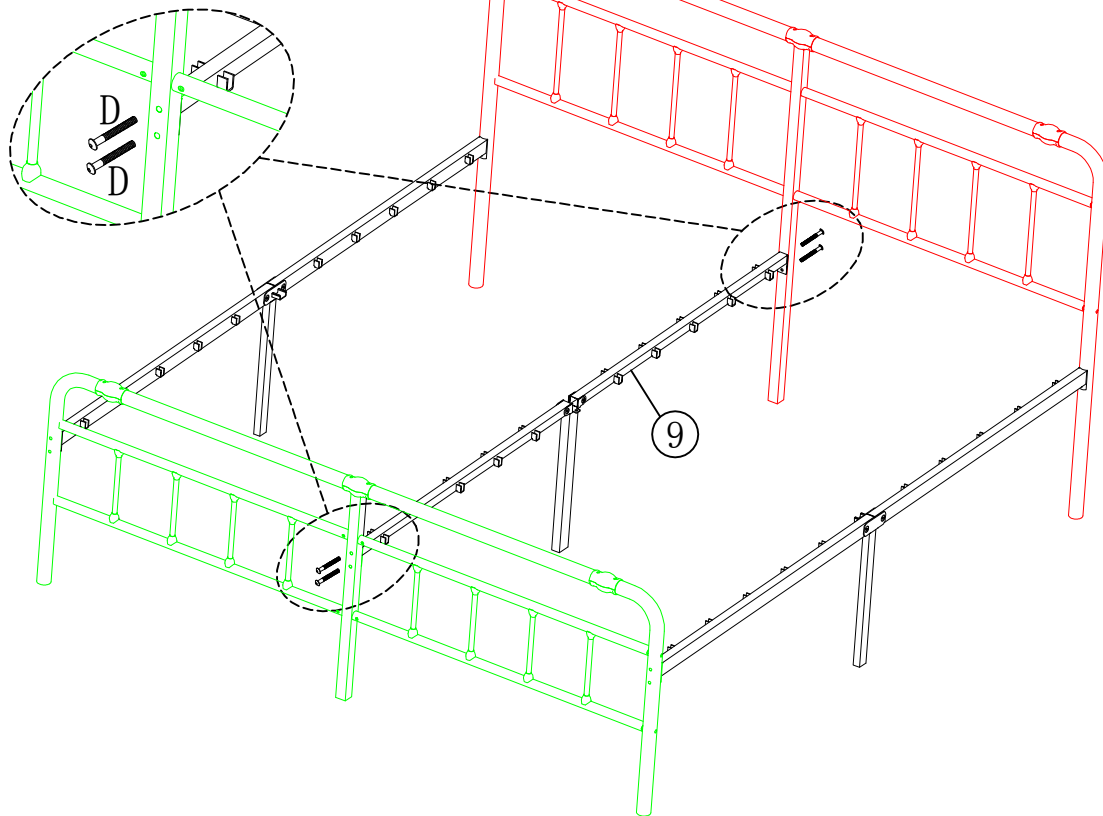
⑨\*1



# Step9



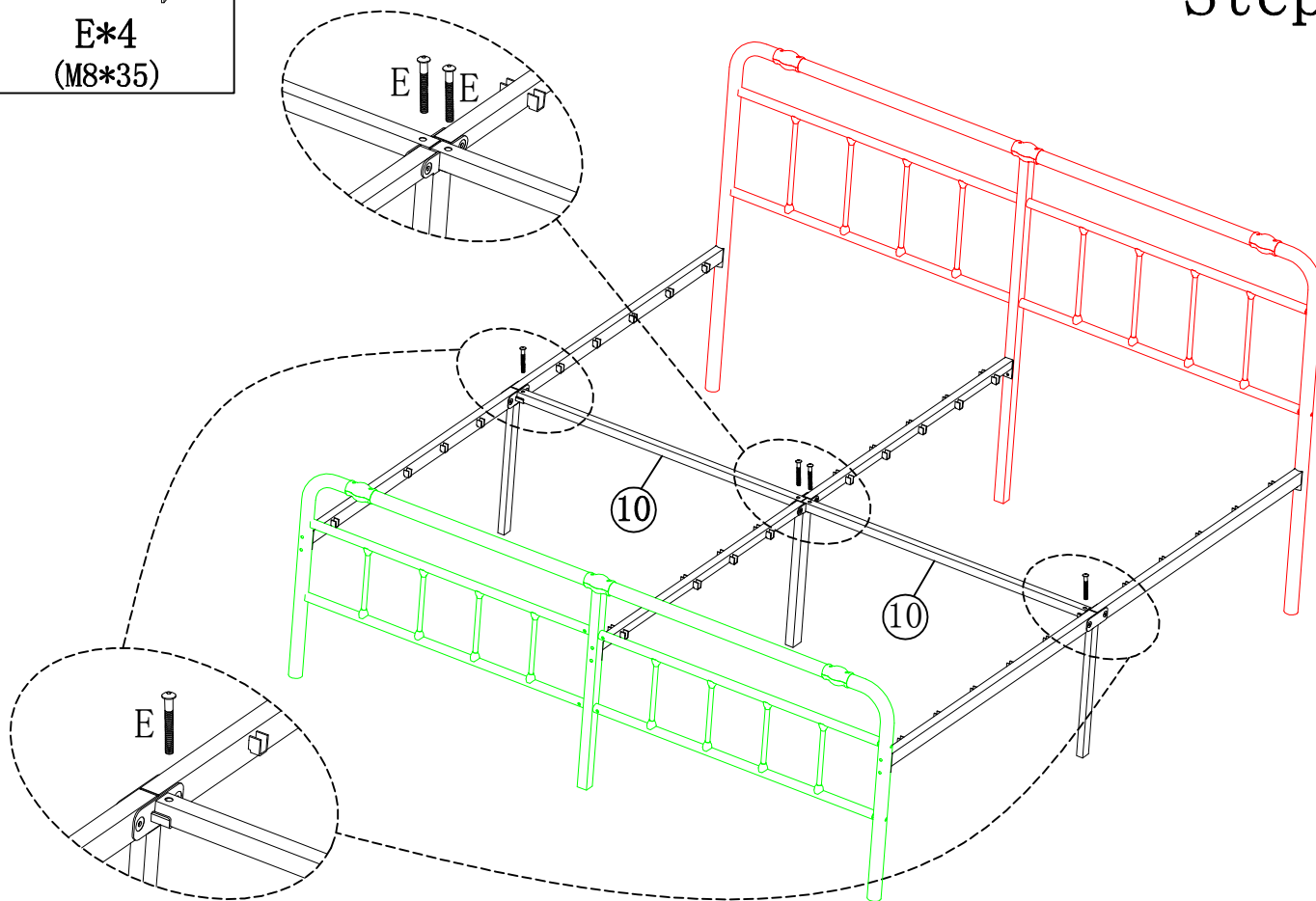
D\*4  
(M8\*47)



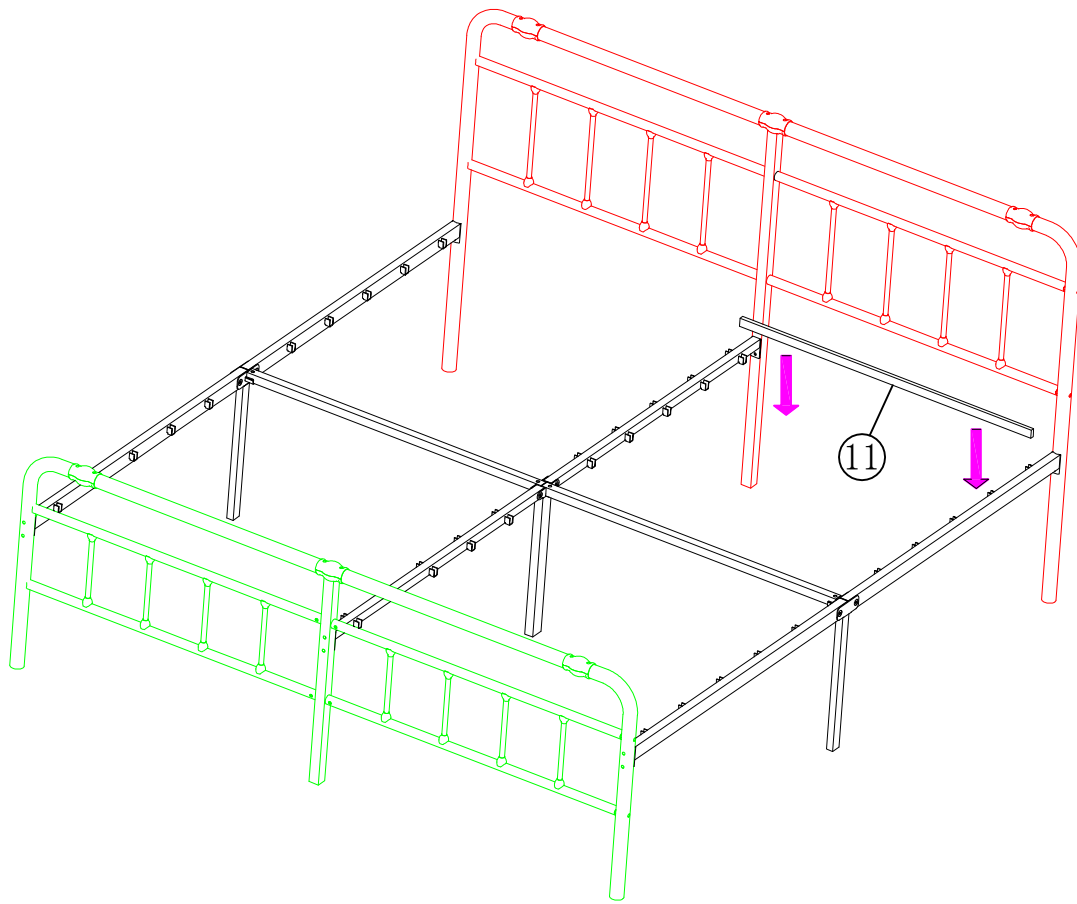
# Step10



E\*4  
(M8\*35)



# Step11



# Step12

