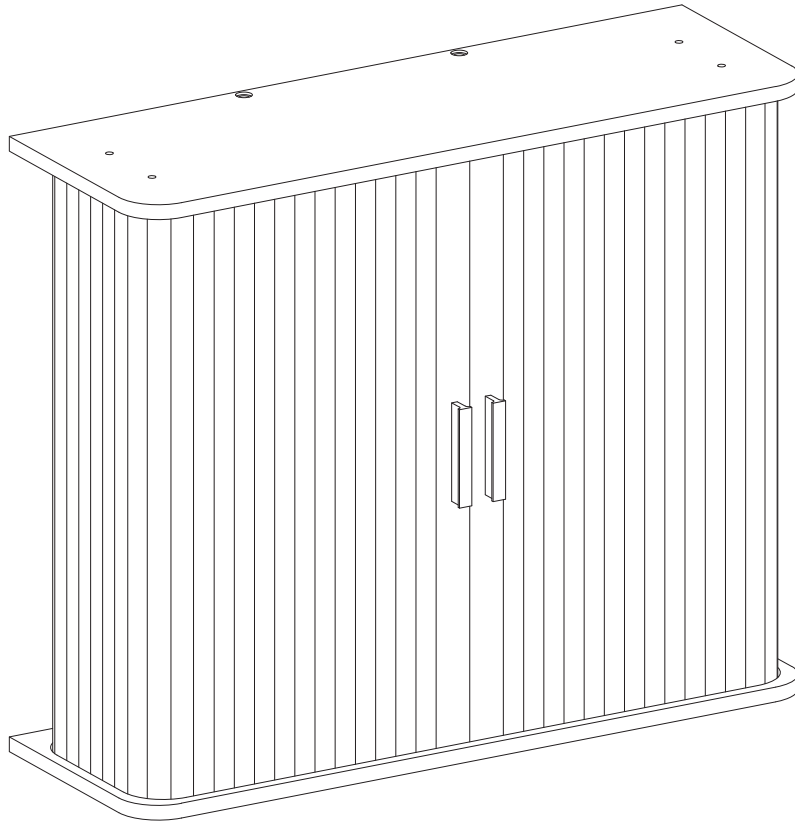
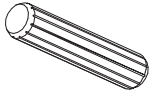


Assembly Instructions

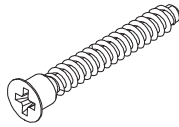


Part List

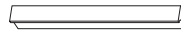
No. A
Quantity: 6 PCS
Dowel
ø6x30mm



No. B
Quantity: 16+1 PCS
Screw
ø5x48mm



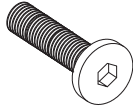
No. C
Quantity: 2 PCS
Handle



No. D
Quantity: 4 PCS
Screw
M4x10mm



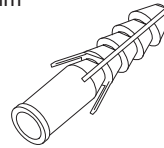
No. E
Quantity: 4 PCS
Bolt
M6x25mm



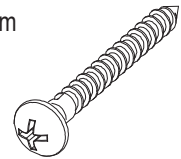
No. F
Quantity: 1 PCS
Hex Key
4mm



No. G
Quantity: 2 PCS
Plastic Expansion
ø8x40mm



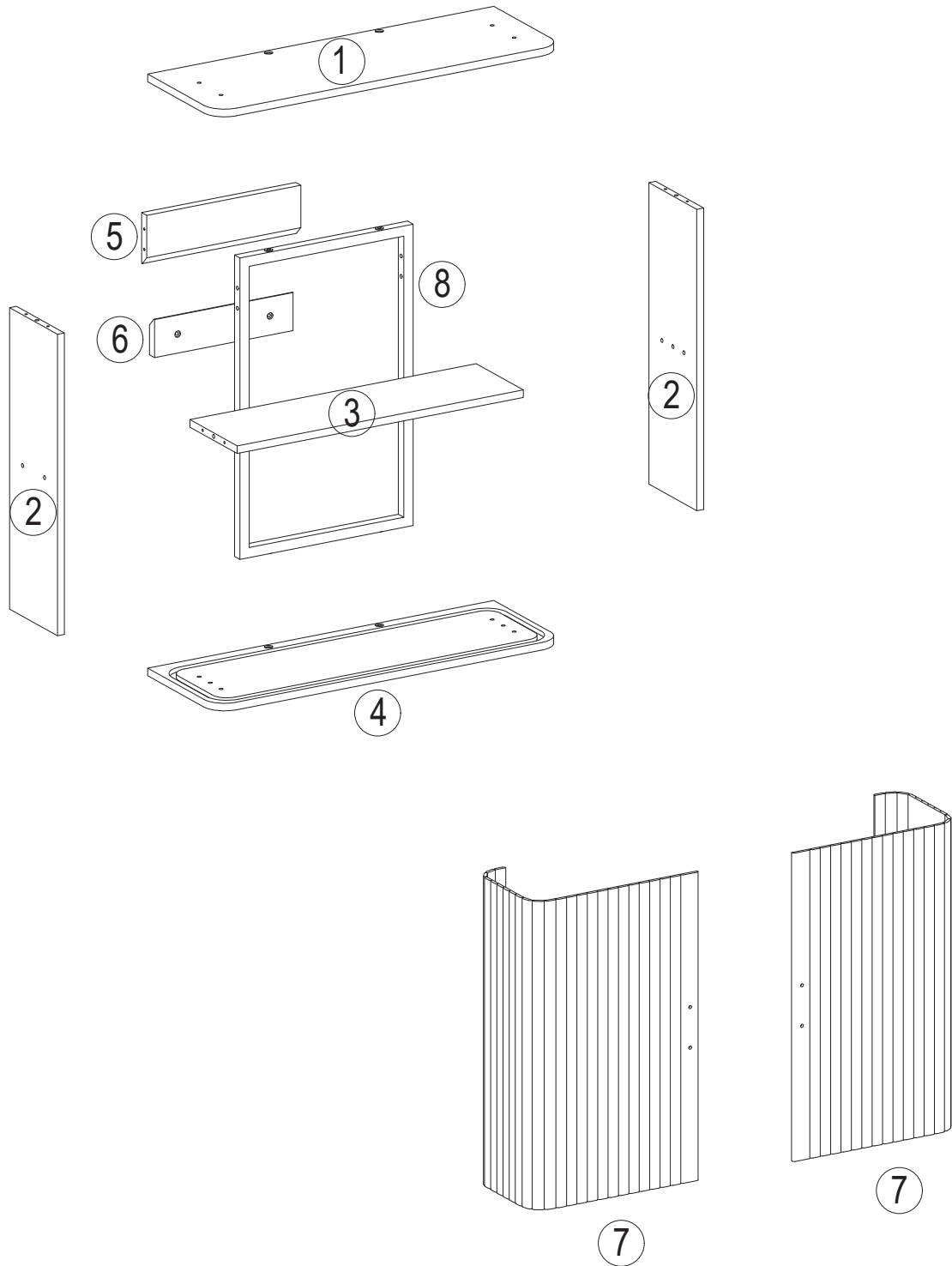
No. H
Quantity: 2 PCS
Screw
ø4x55mm



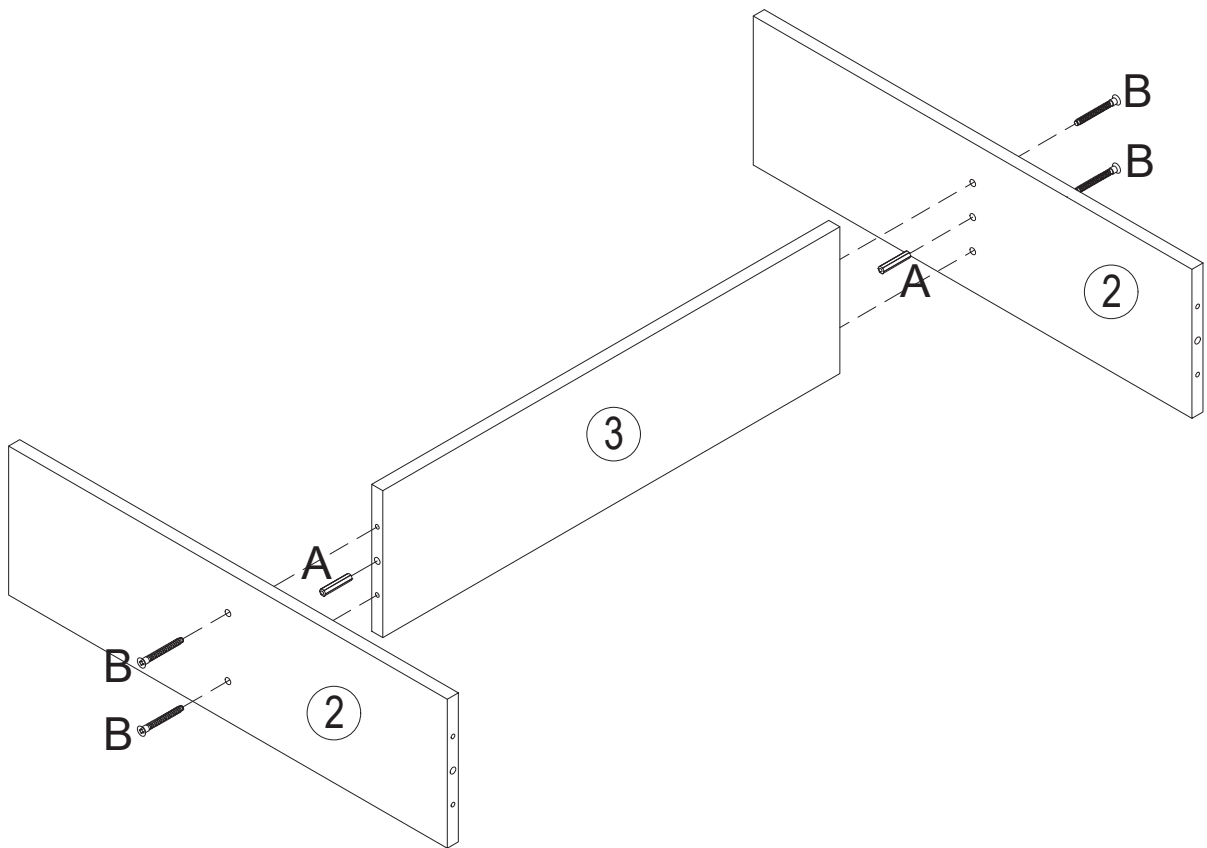
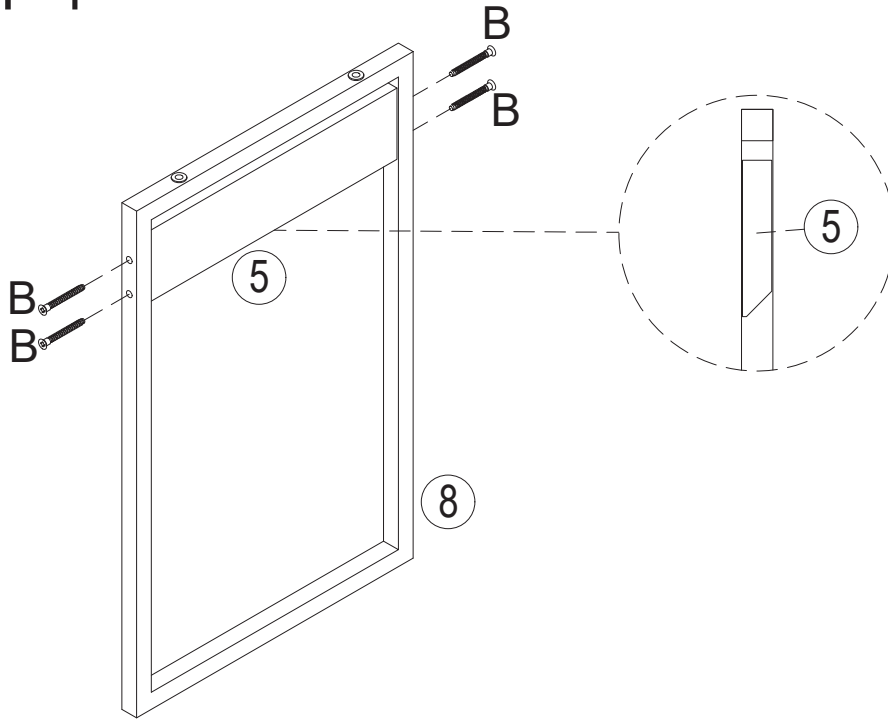
No. I
Quantity: 1 PCS
ø9.5x39mm



Product structure



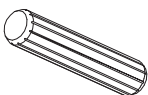
STEP 1



No. A

Quantity: 2 PCS

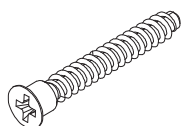
Dowel
ø6x30mm



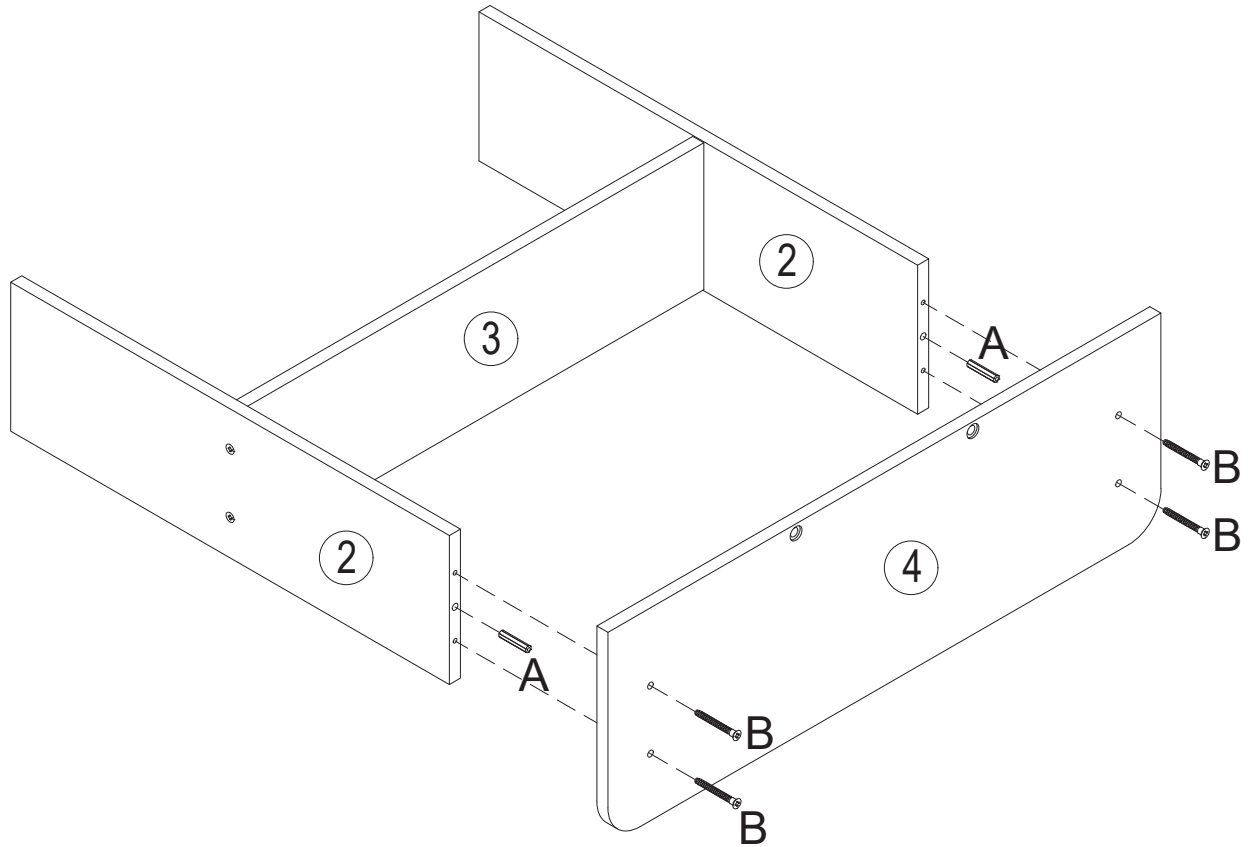
No. B

Quantity: 8 PCS

Screw
ø5x48mm



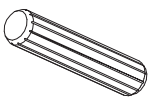
STEP 2



No. A

Quantity: 2 PCS

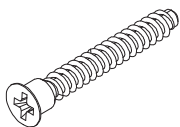
Dowel
ø6x30mm



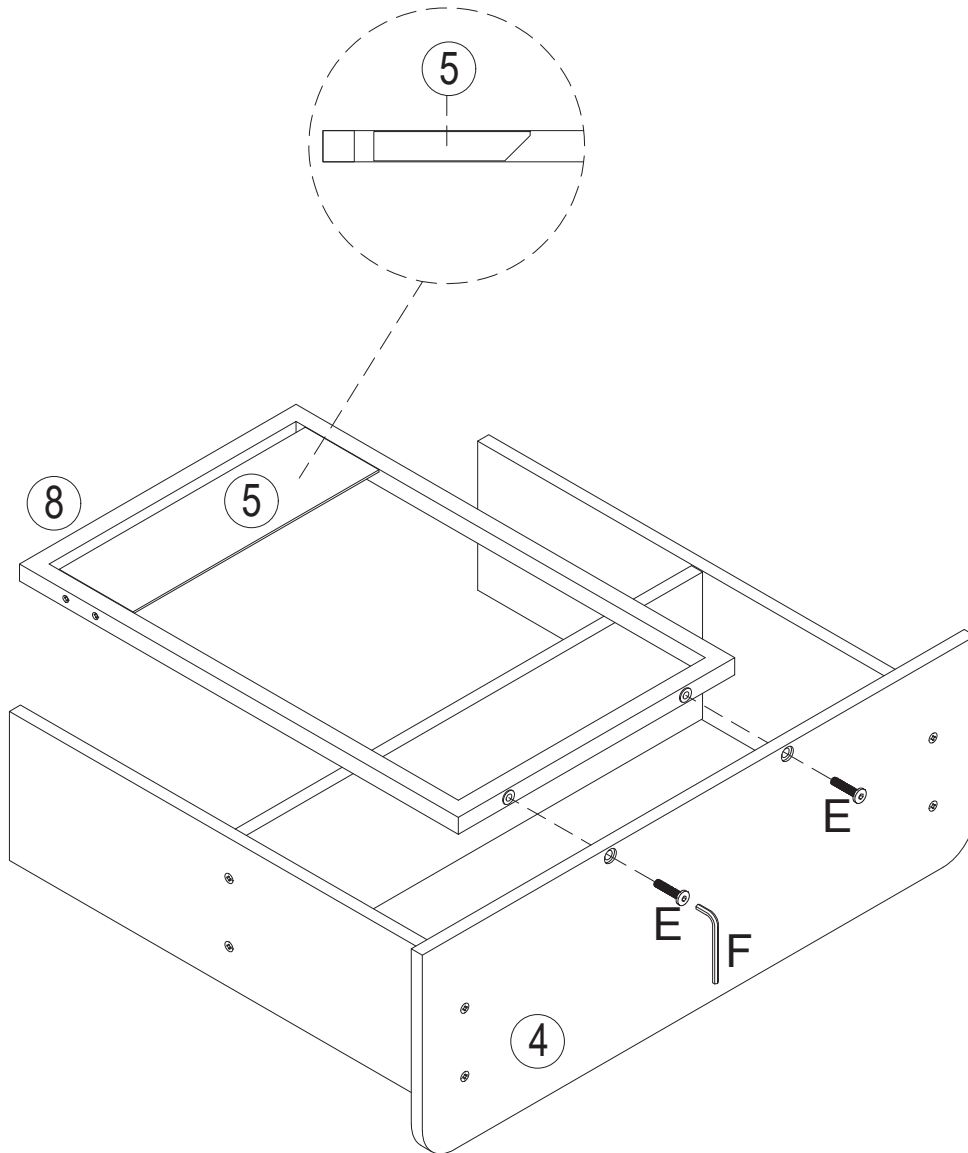
No. B

Quantity: 4 PCS

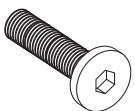
Screw
ø5x48mm



STEP 3



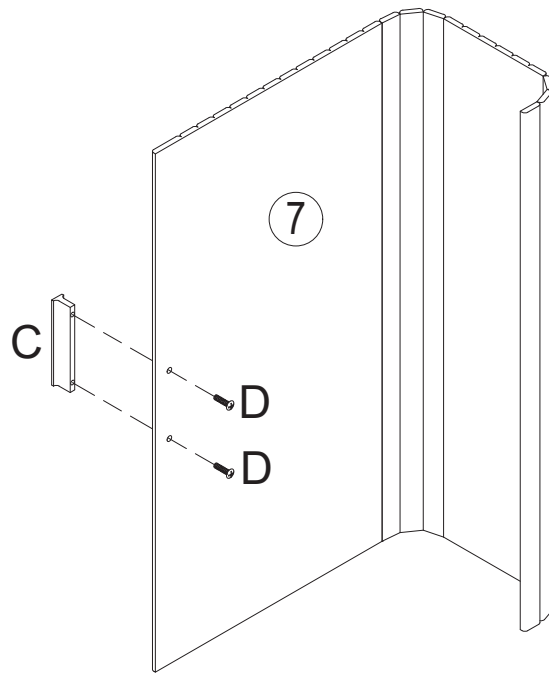
No. E
Quantity: 2 PCS
Bolt
M6x25mm



No. F
Quantity: 1 PCS
Hex Key
4mm



STEP 4

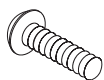


x2

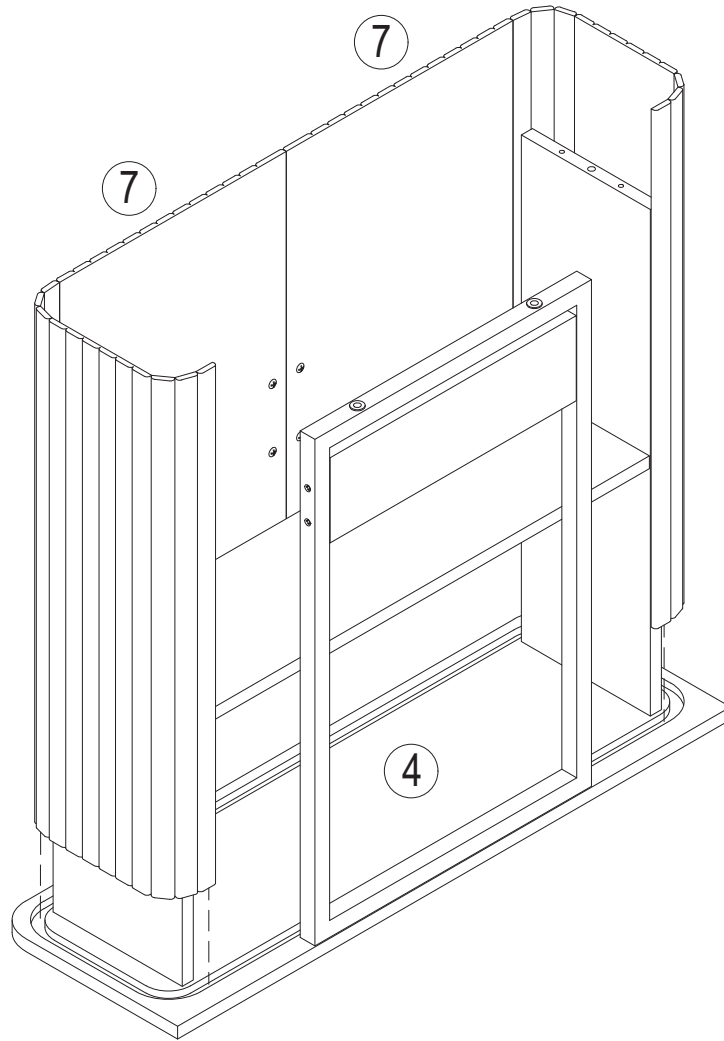
No. C
Quantity: 2 PCS
Handle



No. D
Quantity: 4 PCS
Screw
M4x10mm

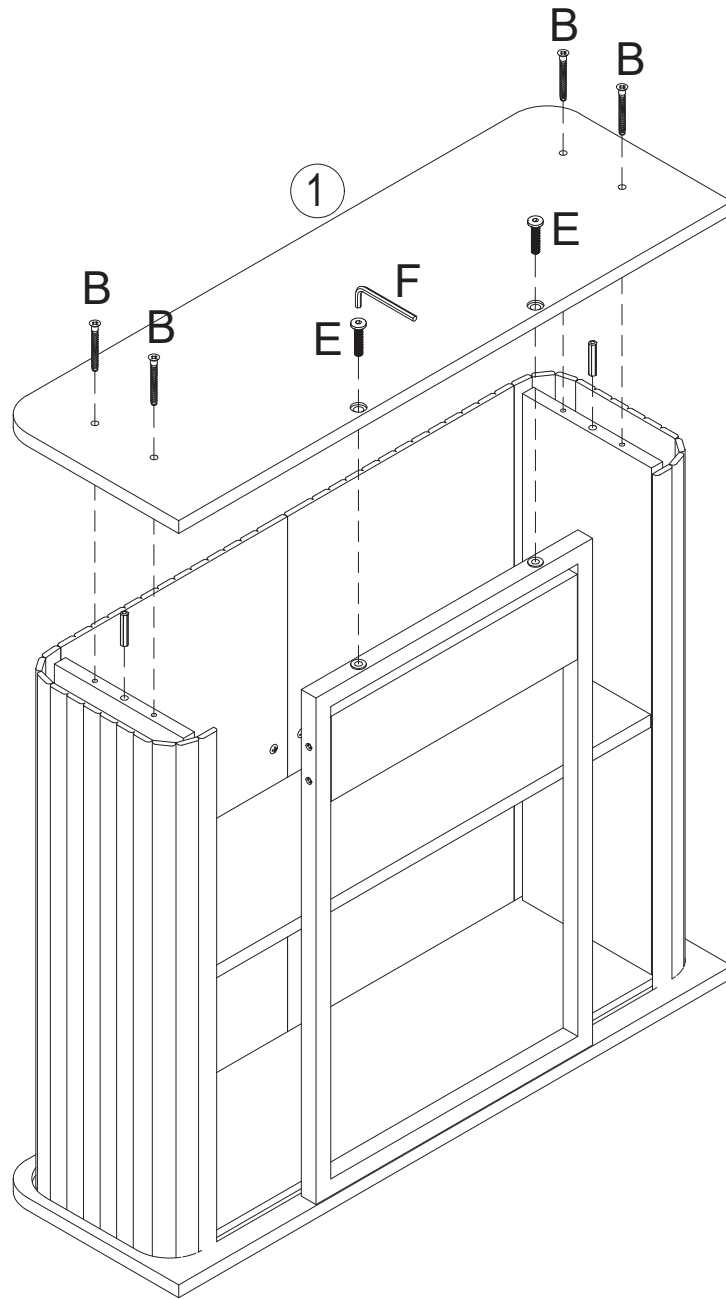


STEP 5



Make sure the sliding door is properly inserted into the groove to ensure smooth operation.

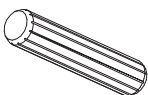
STEP 6



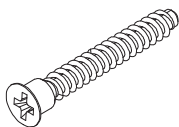
No. F
Quantity: 1 PCS
Hex Key
4mm



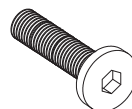
No. A
Quantity: 2 PCS
Dowel
ø6x30mm



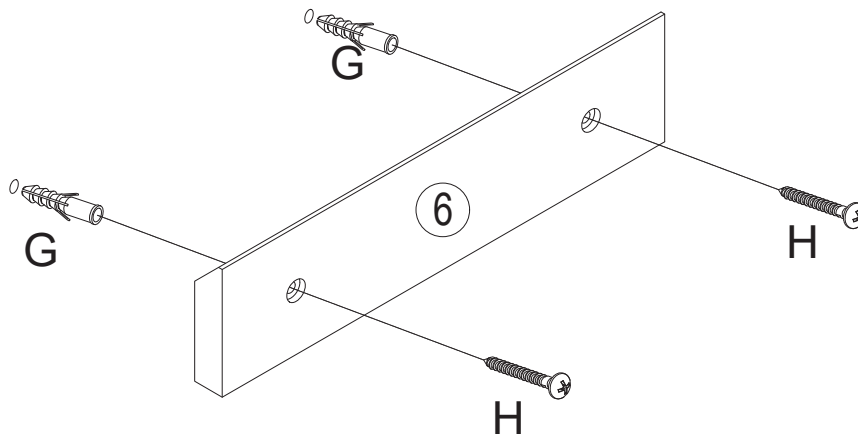
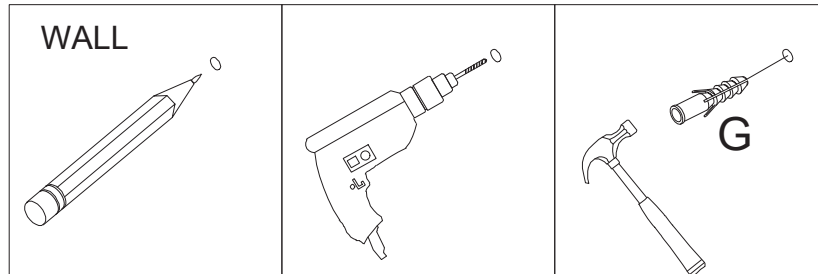
No. B
Quantity: 4 PCS
Screw
ø5x48mm



No. E
Quantity: 2 PCS
Bolt
M6x25mm

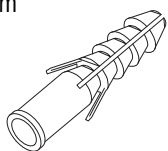


STEP 7



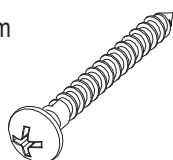
No. G

Quantity: 2 PCS
Plastic Expansion
ø8x40mm

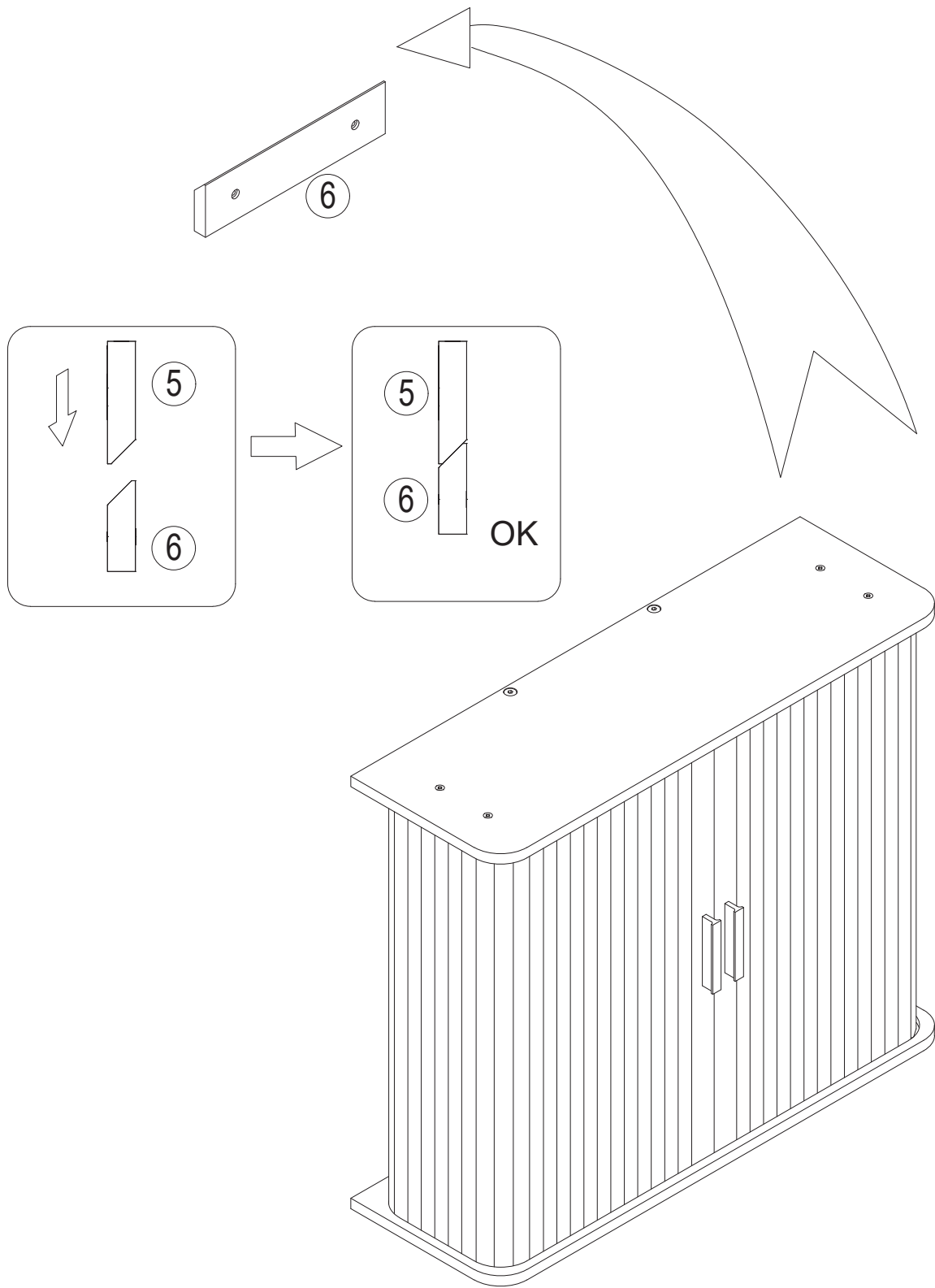


No. H

Quantity: 2 PCS
Screw
ø4x55mm



STEP 8



STEP 9

