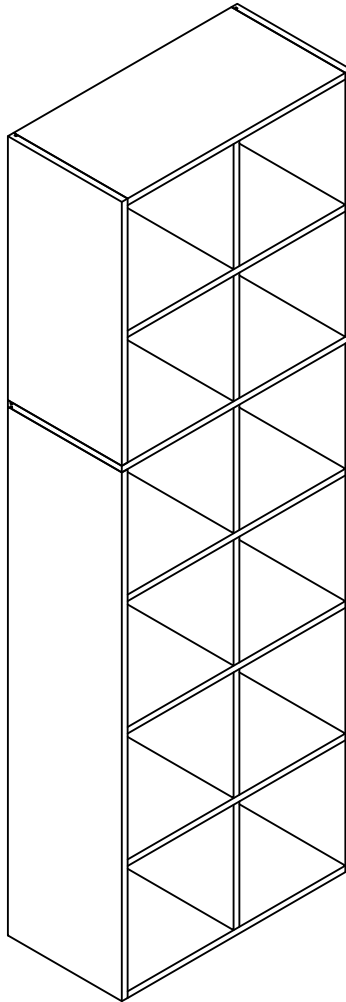


# Assembly Instructions

## Cubbies Bookcase



---

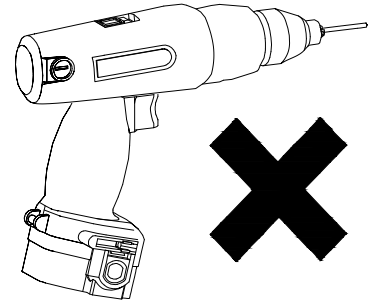
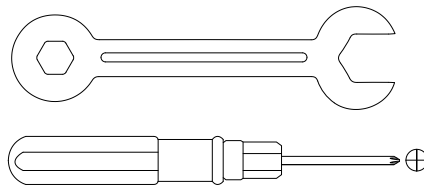
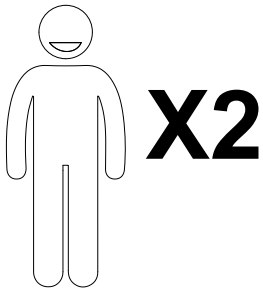
# Contact Us

## We're here to help you.

Your satisfaction is our top priority. If you encounter any issues with this product, such as missing or damaged parts, we're here to help. Please retain the original packaging and take photos of the packaging and the product, then contact us as soon as possible.

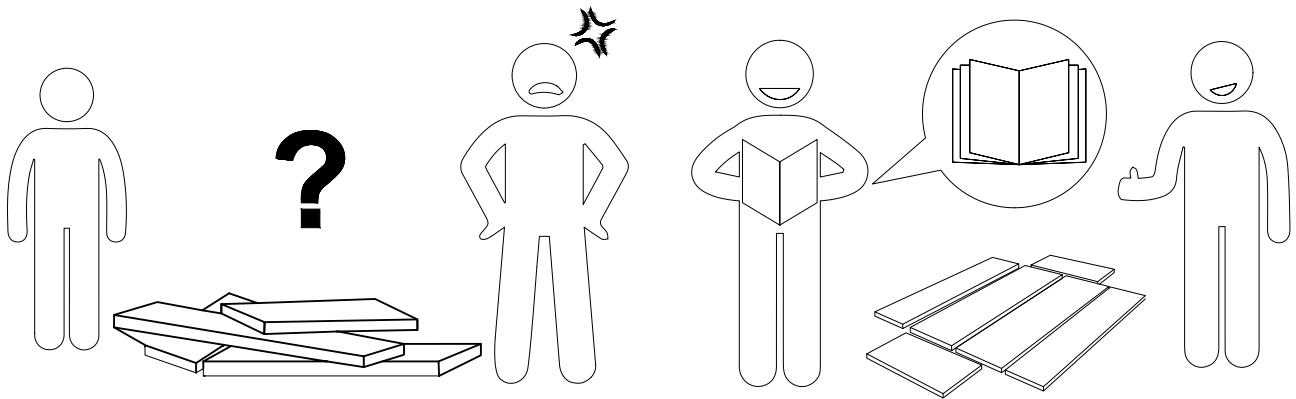
### Warm Tips

1. Carefully read these instructions and keep them for future reference.
2. Check the parts list and confirm everything's there before starting assembly.
3. When assembling, put all parts on a soft, smooth surface like a carpet to avoid scratches.
4. Don't fully tighten screws until all parts are confirmed in place to avoid misalignment.



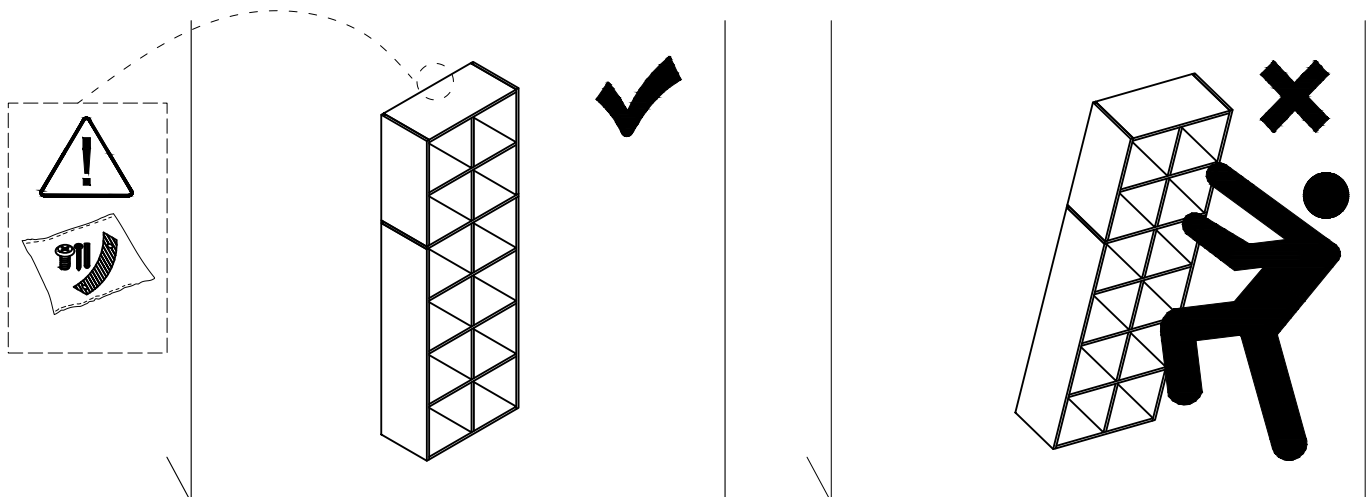
We recommend using hand tools for assembly.

If an electric screwdriver is used, reduce power and torque to avoid damage to the product.



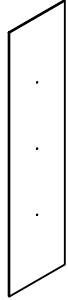
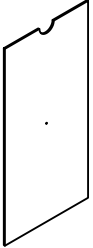
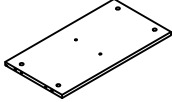
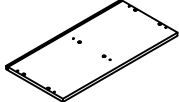
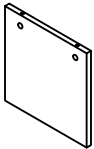
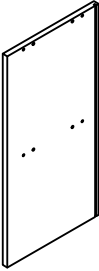
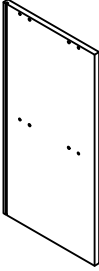
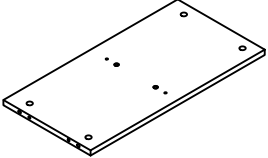
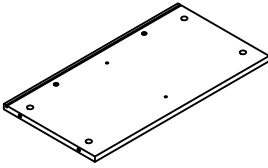


## Install the Anti-Tip Straps

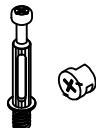




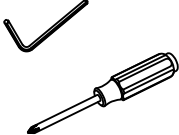
Using the anti-tip straps can reduce the risk of tipping over, but can not eliminate it.



## Parts List

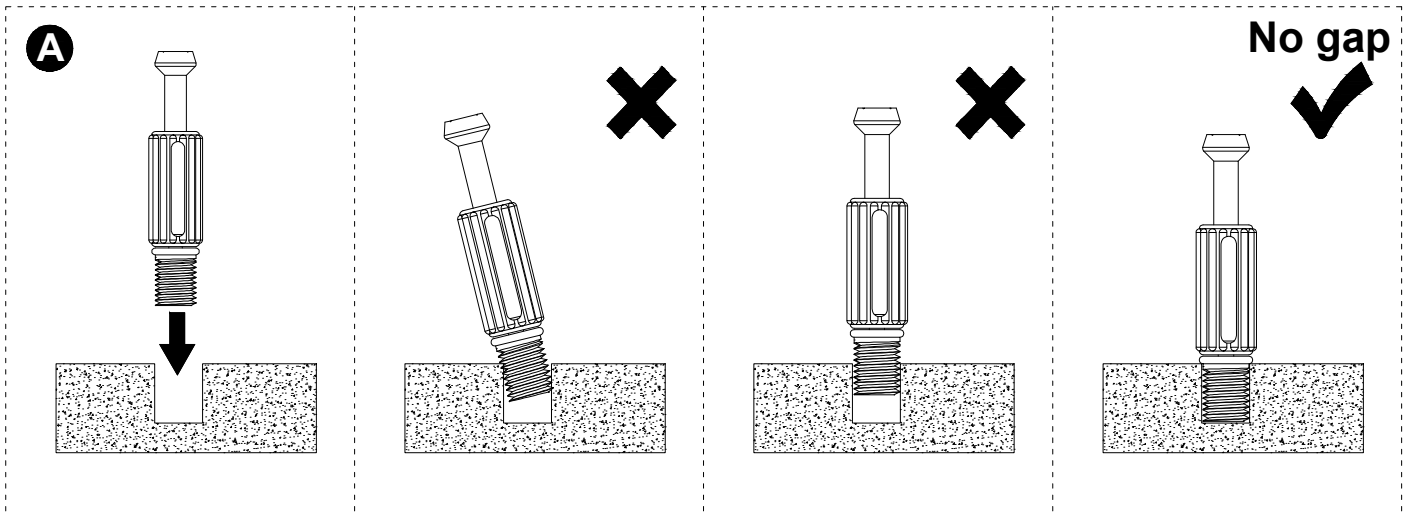
<p>①</p>  <p>1 pc</p>	<p>②</p>  <p>1 pc</p>	<p>③</p>  <p>2 pcs</p>
<p>④</p>  <p>2 pcs</p>	<p>⑤</p>  <p>1 pc</p>	<p>⑥</p>  <p>1 pc</p>
<p>⑦</p>  <p>6 pcs</p>	<p>⑧</p>  <p>1 pc</p>	<p>⑨</p>  <p>1 pc</p>
<p>⑩</p>  <p>4 pcs</p>	<p>⑪</p>  <p>1 pc</p>	

## Hardware List

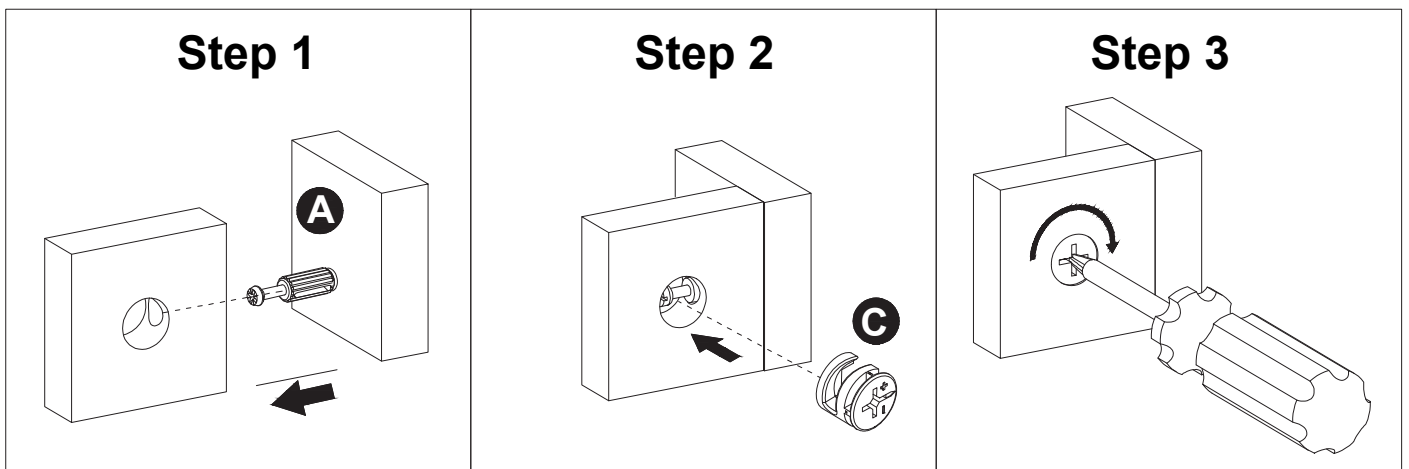
A	B	P	W	Z	
	 <p>M7x50</p>	 <p>M3.5x14</p>	 <p>Ø6x30</p>		
<p>40 pcs</p>	<p>16 pcs</p>	<p>8 pcs</p>	<p>24 pcs</p>	<p>2 pcs</p>	

# Installation of Cams and Pins


Read each step carefully before starting. Each step of instruction should be performed in the correct order. If these steps are not followed in sequence, assembly difficulties may occur.

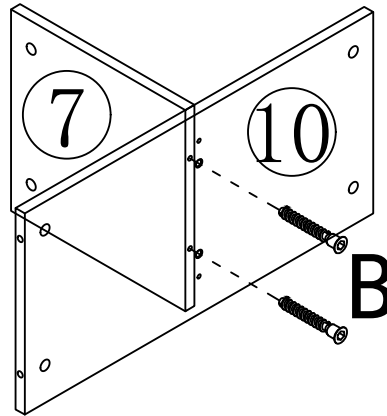


Screw the pin into the hole. Set the cams correctly by aligning the head of the cams with the lock pins. Lock the cam by turning the cam head with a screwdriver until it is tightened. Please do not use an electric screwdriver to assemble the unit.




1

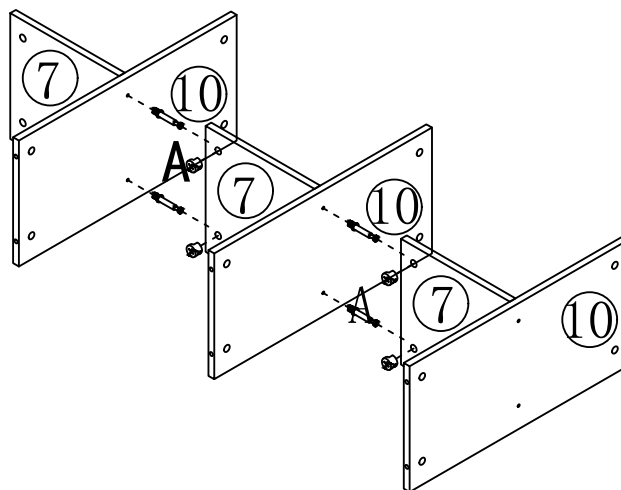
B

M7x50
8 pcs




x4

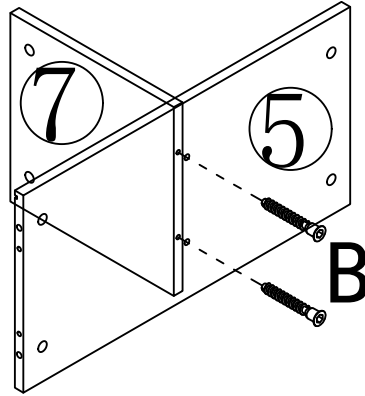
2

A

4 pcs




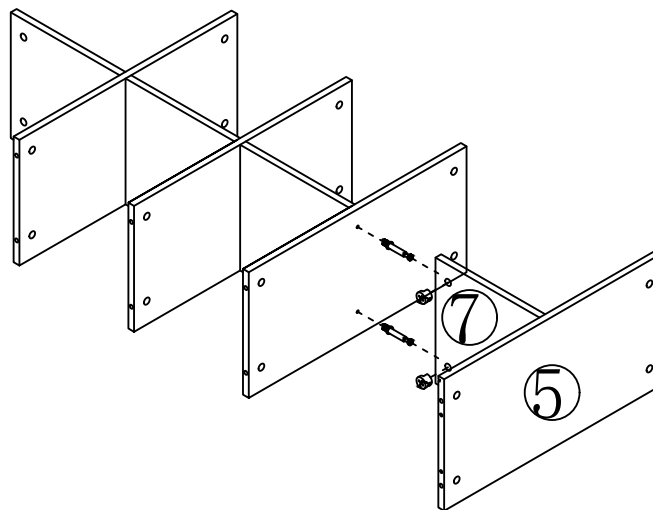
3

B

M7x50
2 pcs





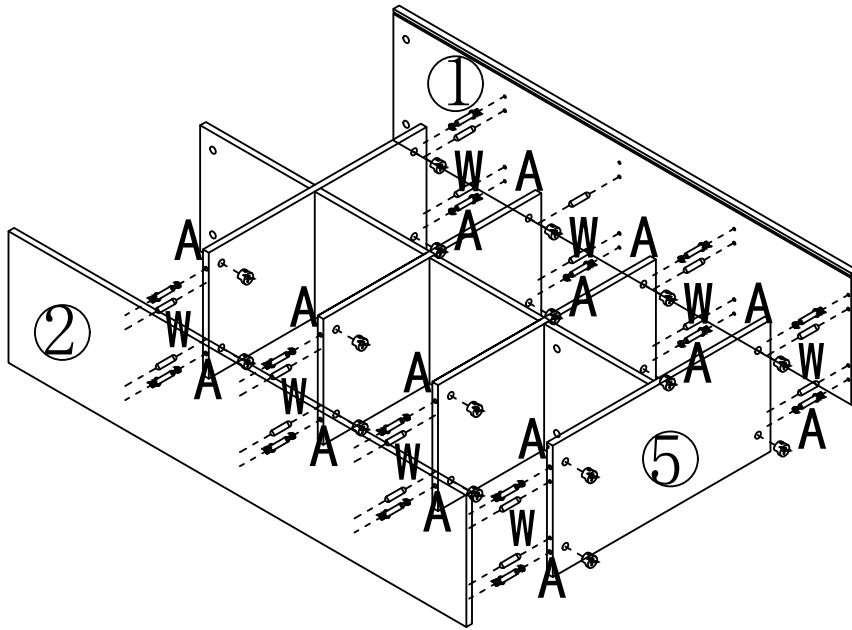
4

A

2 pcs

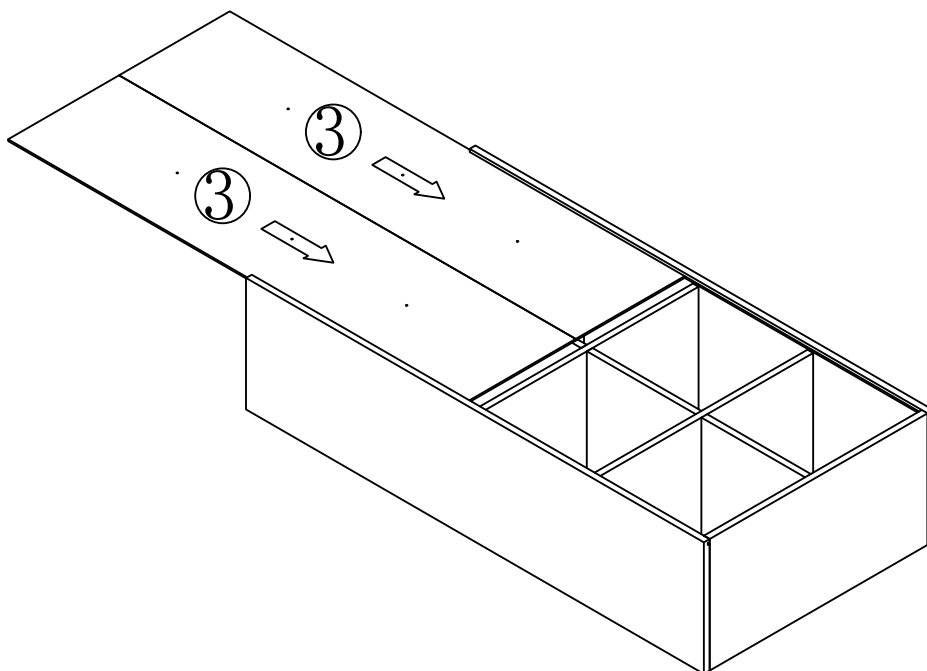


5


A	W
	
16 pcs	16 pcs

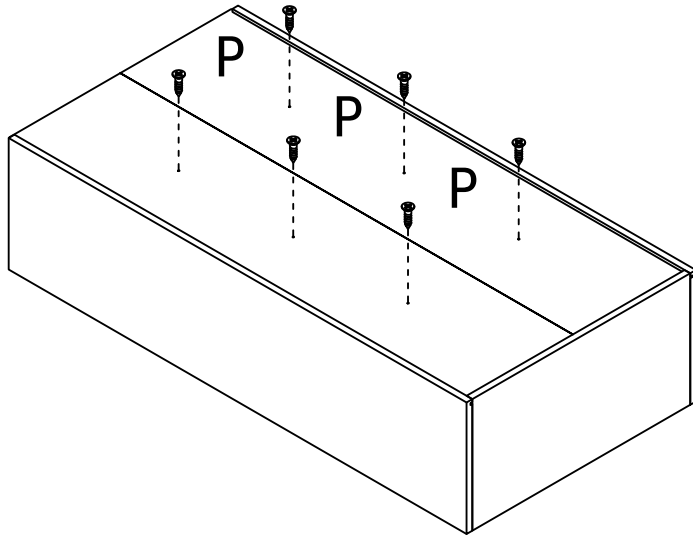


6




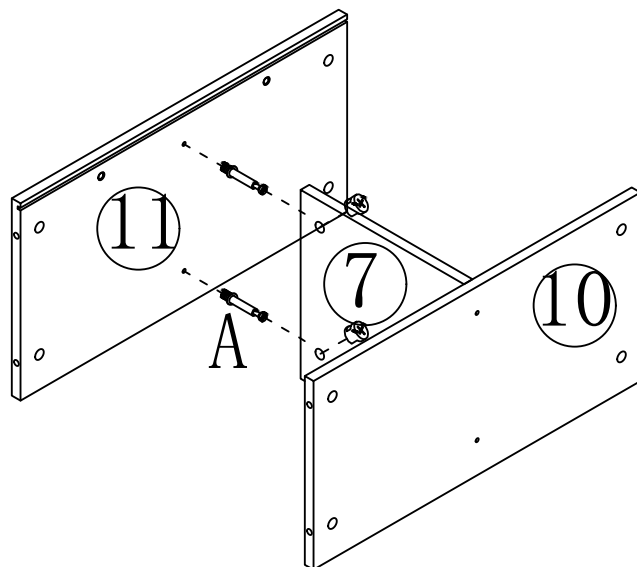
7

P

M3.5x14
6 pcs




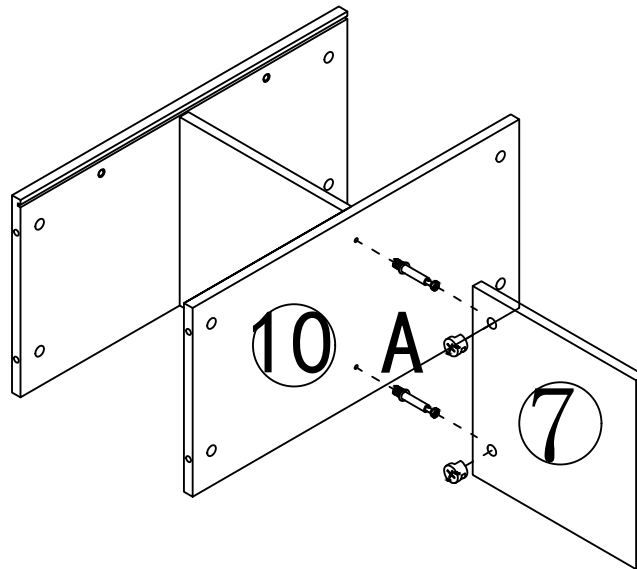
8

A

2 pcs





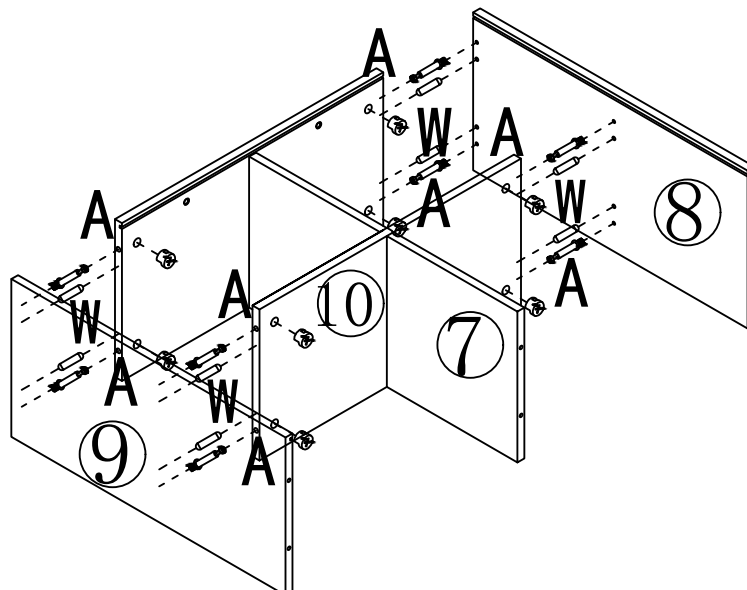
9

A

2 pcs

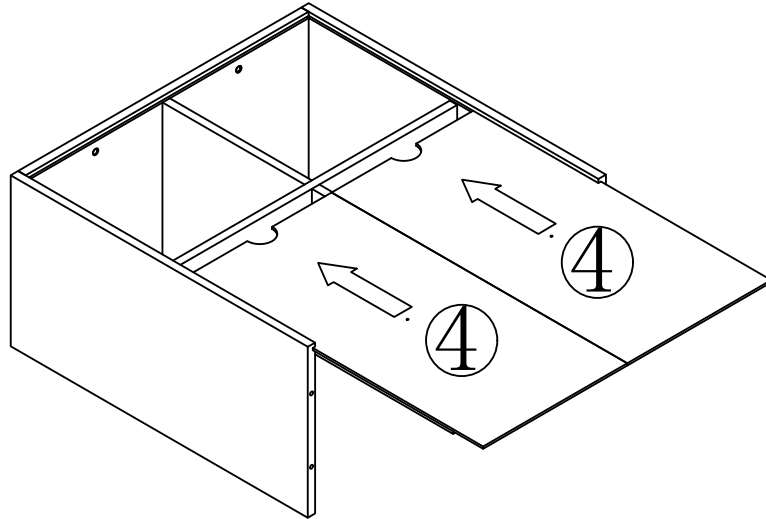


10


A	W
	
8 pcs	8 pcs

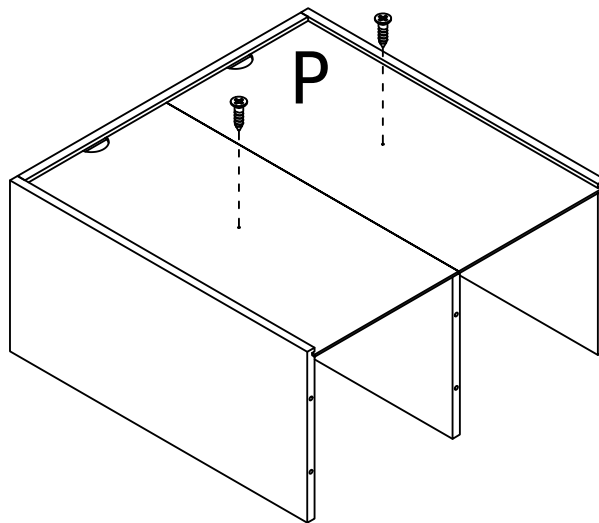


11




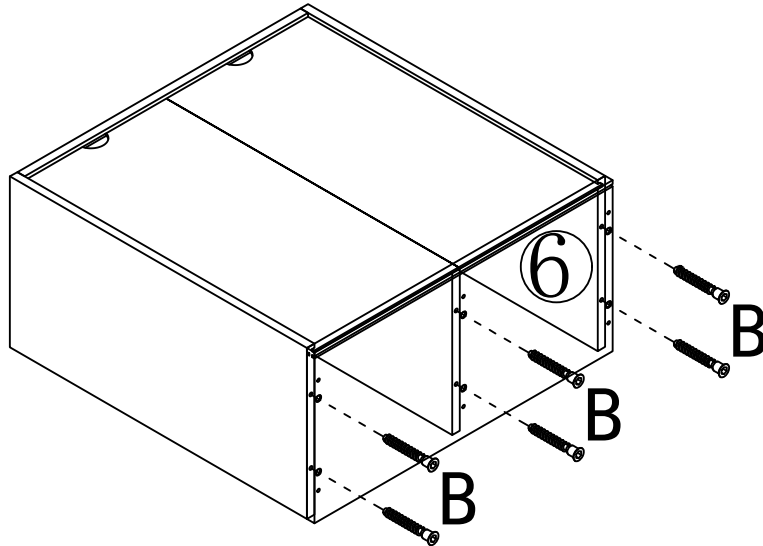
12

P

M3.5x14
2 pcs




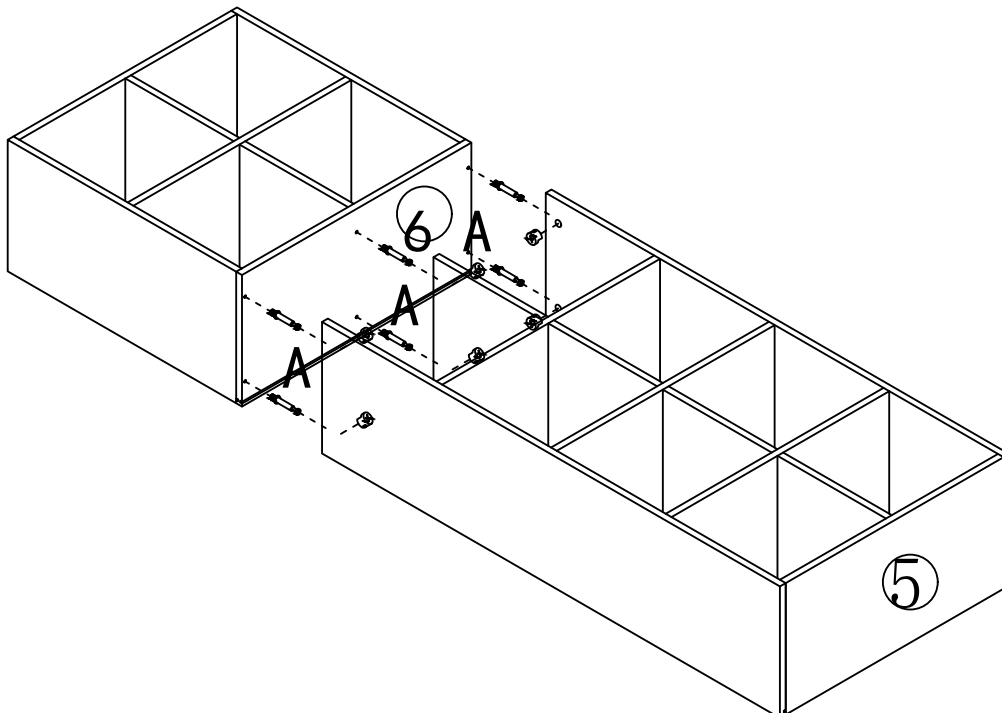
13

<b>B</b>

M7x50mm
6 pcs




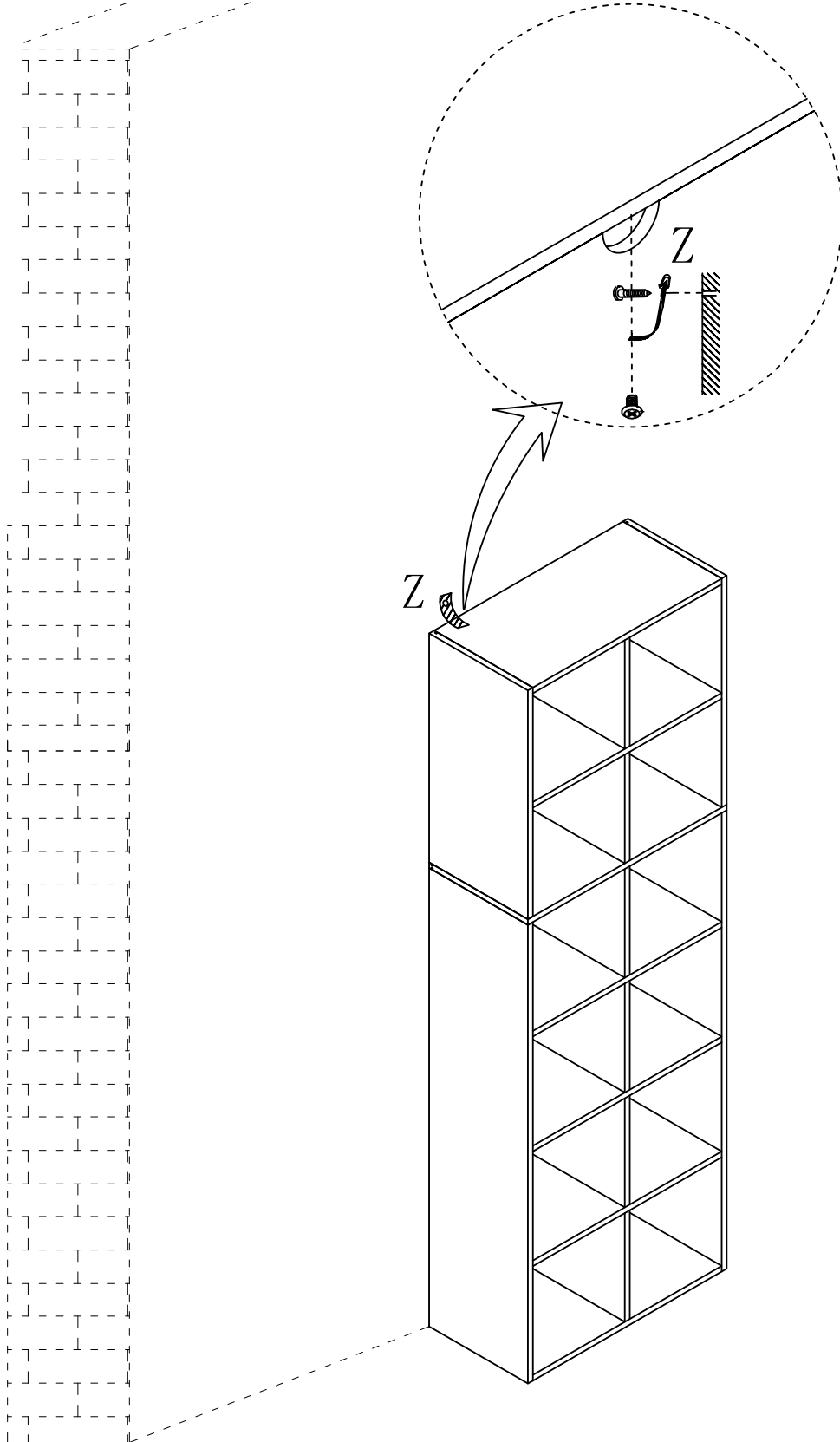
14

<b>A</b>

6 pcs



15

Z

2 pcs



**Thank you for your support!**

