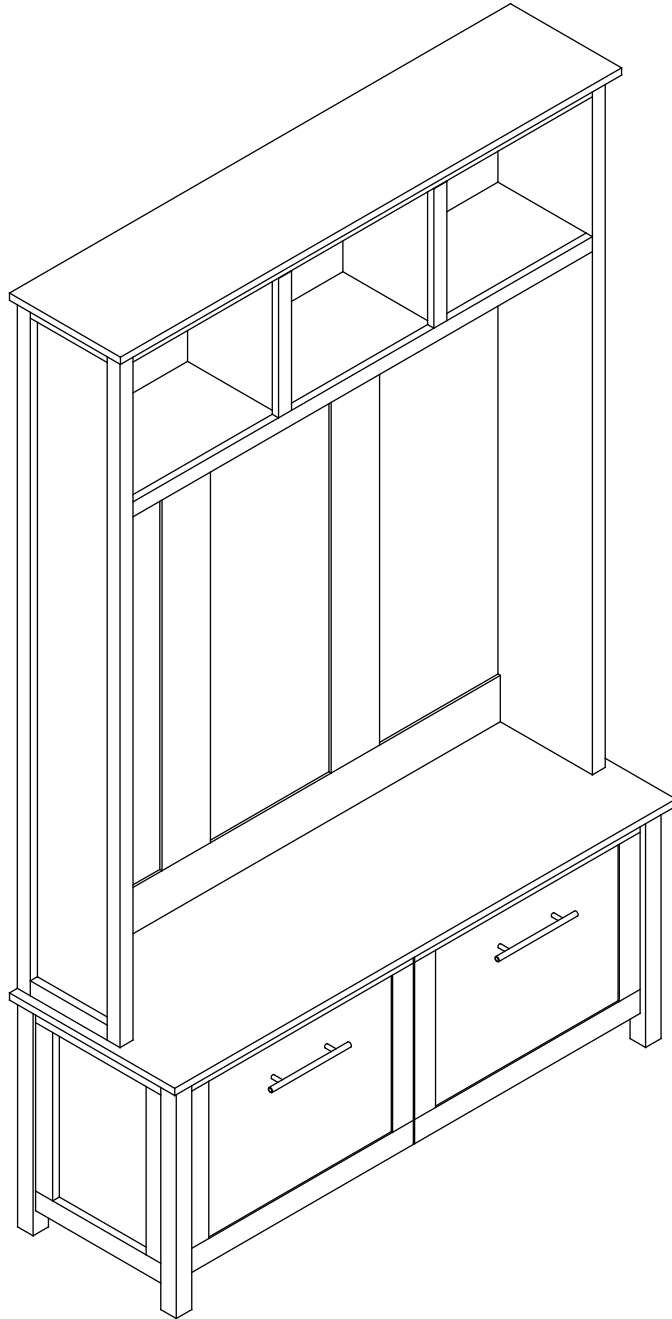


Hall Tree

Assembly Instructions - Please keep for future reference



Dimensions

Width-47.2 inch

Depth-15.5 inch

Height-76.6 inch

Important – Please read these instructions fully before starting assembly



Safety and Care Advice

Important – Please read these instructions fully before starting assembly

- Check you have all the components and tools listed on the following pages.
- Remove all fittings from the plastic bags and separate them into their groups.
- Keep children and animals away from the work area, small parts could choke if swallowed.
- Make sure you have enough space to layout the parts before starting.

- During assembly do not stand or put weight on the product, this could cause damage.
- Assemble the item as close to its final position (in the same room) as possible.
- Assemble on a soft level surface to avoid damaging the unit or your floor.
- Parts of the assembly will be easier with 2 people.



power drill is set on a low torque setting.

- To reduce the likelihood of damaging your product please ensure that your

Care and maintenance

- Only clean using a damp cloth and mild detergent, do not use bleach or abrasive cleaners.
- From time to time check that there are no loose screws on this unit.
- This product should not be discarded with household waste. Take to your local authority waste disposal centre.

Handy Hints

- Assemble all parts and bolts loosely during assembly, only once the product is complete should you fully tighten the bolts
- Regularly check and ensure That all bolts and fittings are tightend properly.

WARNING
In order to help prevent overturning –
please follow these instructions

To help prevent product toppling over please follow the below steps:-

- Use the anti tip stap or wall fixing method provided (if applicable)
- Do not allow children to climb or hang on the furniture
- Do not open more than one drawer at a time
- Do not place heavy items in the top drawers
- Do not place heavy items on top of the furniture, unless the furniture has been designed for this purpose

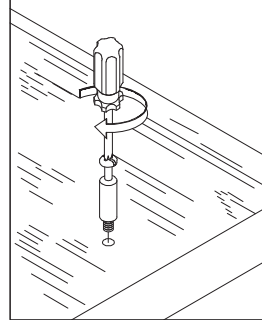
Using Camlocks

Step 1

Connect the male camlock as directed in the assembly instructions using a screwdriver.

1

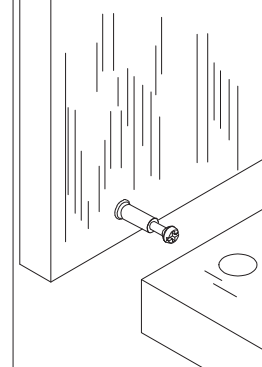
DO NOT OVER TIGHTEN.
NE PAS SERRER EXCESSIVEMENT.



Step 2

Push the male camlock into the entry hole.

2

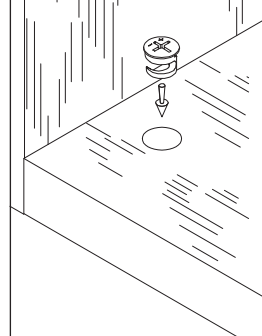


Step 3

Insert the female camlock as shown in the instruction.

Note: ensure that the arrow on the top of the camlock points towards the entry hole for the male camlock.

3



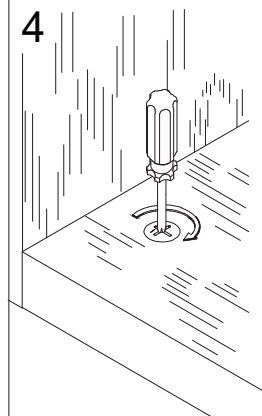
Step 4

Turn the female camlock clockwise with a screwdriver.

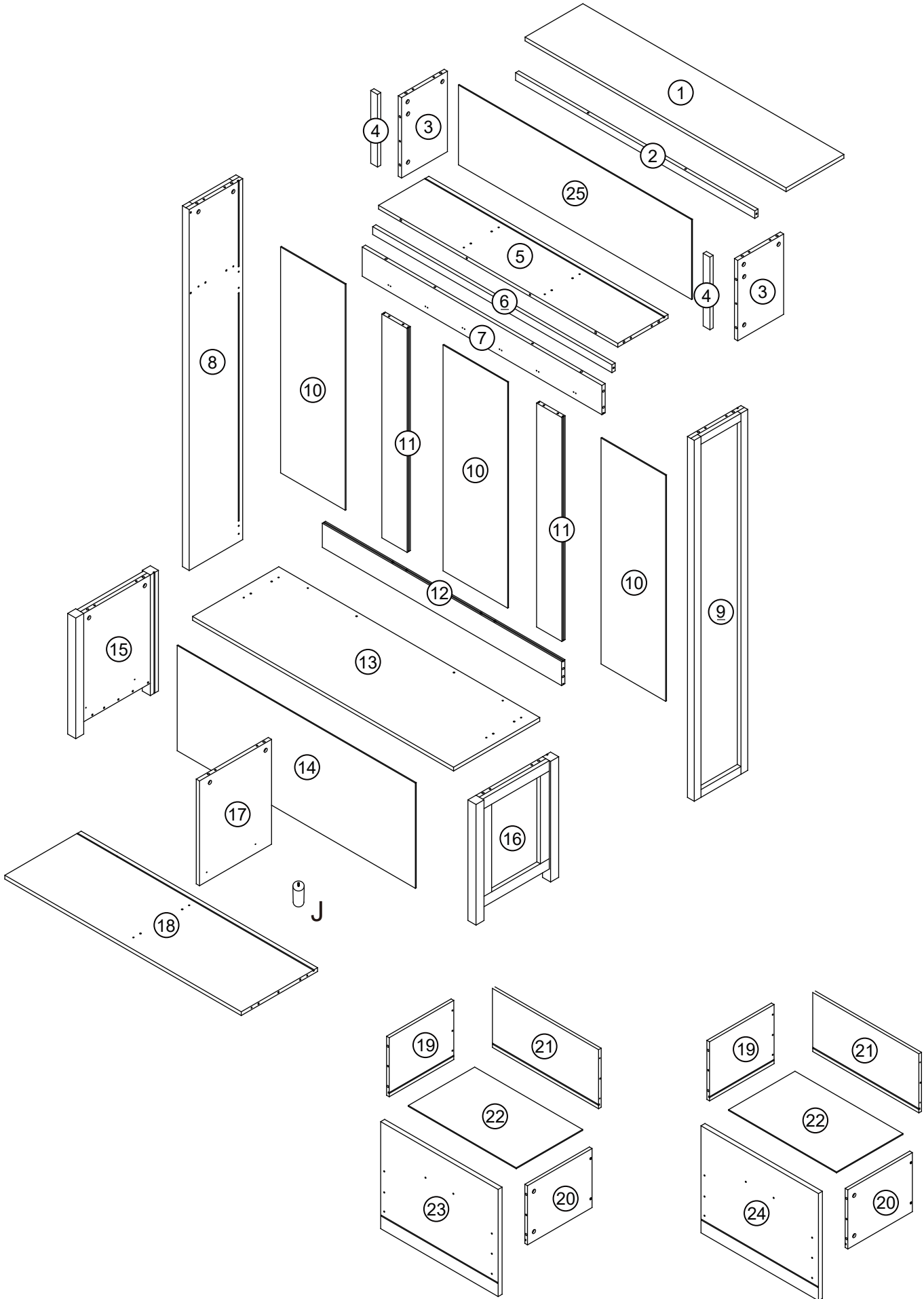
You should feel a click when the camlock is locked in place.

The joint is now secure.

4



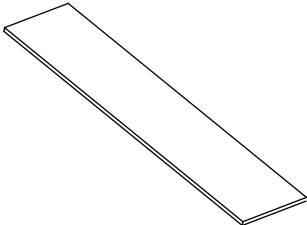
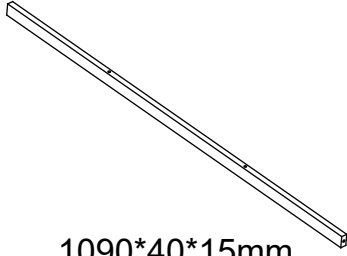
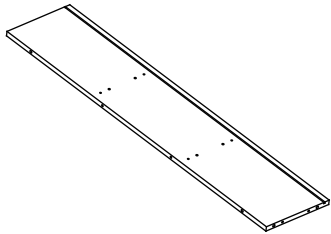
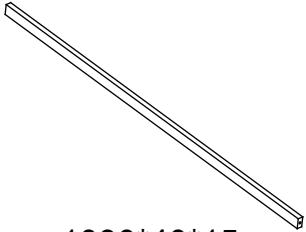
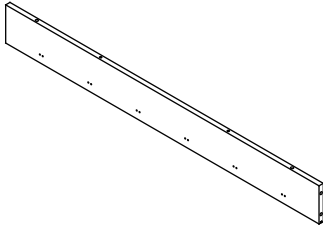




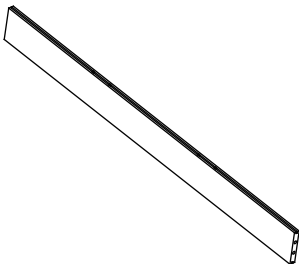
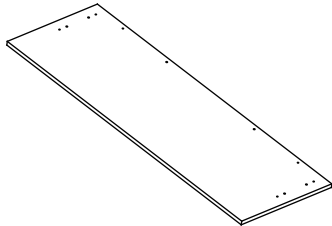
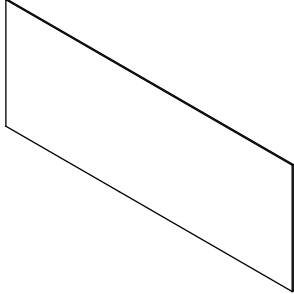
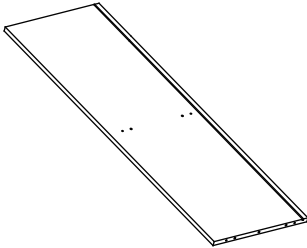
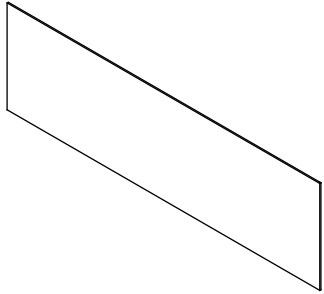
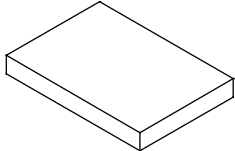
Assembly Instructions



Assembly Instructions

There are 2 boxes of this product

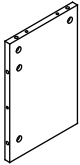

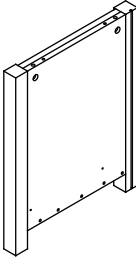
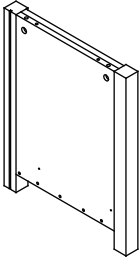
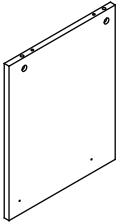
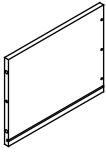
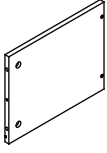
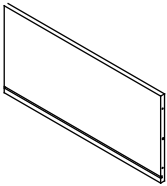
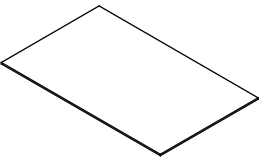
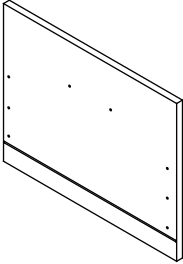
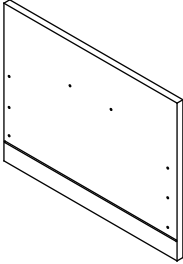
BOX-1: N721P366136

| | | | |
|--|--|---|---|
|  1200*263*15mm |  1090*40*15mm |  1090*234*15mm |  1090*40*15mm |
| ① x 1 | ② x 1 | ⑤ x 1 | ⑥ x 1 |
|  1090*147*15mm |  1453*250*40mm |  1453*250*40mm |  905*307.5*3mm |
| ⑦ x 1 | ⑧ x 1 | ⑨ x 1 | ⑩ x 3 |
|  894*100*15mm |  1090*110*15mm |  1200*395*15mm |  1101*370*3mm |
| ⑪ x 2 | ⑫ x 1 | ⑬ x 1 | ⑭ x 1 |
|  1090*362*15mm |  1101*297*3mm |  | |
| ⑱ x 1 | ⑳ x 1 | Hardware Pack X1 | |

Assembly Instructions

There are 2 boxes of this product

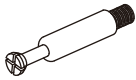

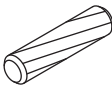
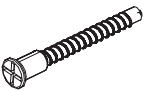

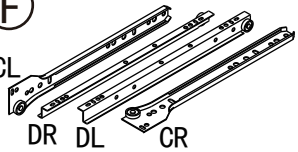
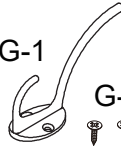
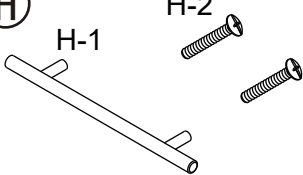
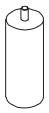

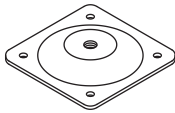

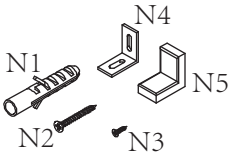

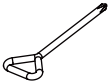
BOX-2: N721P366137

| | | | |
|---|---|--|--|
|  |  |  |  |
| 287*221*15mm | 246*40*15mm | 463*382*40mm | 463*382*40mm |
| ③ x 2 | ④ x 2 | ⑮ x 1 | ⑯ x 1 |
|  |  |  |  |
| 360*348*15mm | 300*240*15mm | 300*240*15mm | 482.5*240*15mm |
| ⑰ x 1 | ⑲ x 2 | ⑳ x 2 | ㉑ x 2 |
|  |  |  | |
| 493.5*294*3mm | 540*405*18mm | 540*405*18mm | |
| ㉒ x 2 | ㉓ x 1 | ㉔ x 1 | |

Components-Fittings

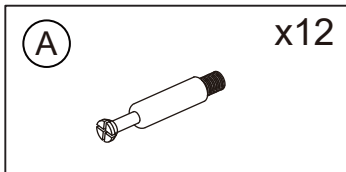
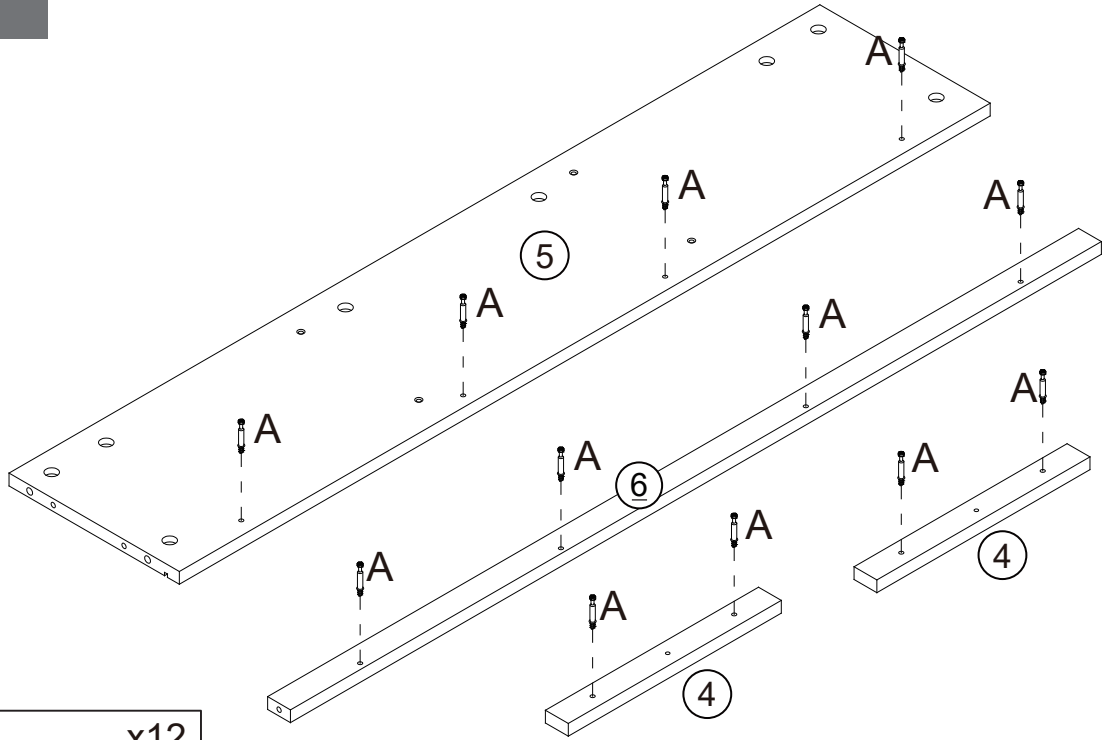
Please check you have all the panels listed below

Note: The quantities below are the correct amount to complete the assembly. In some cases more fittings may be supplied than are required.

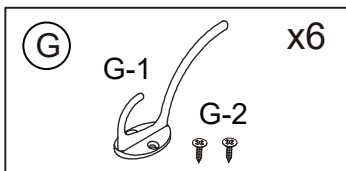
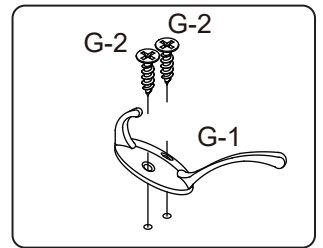
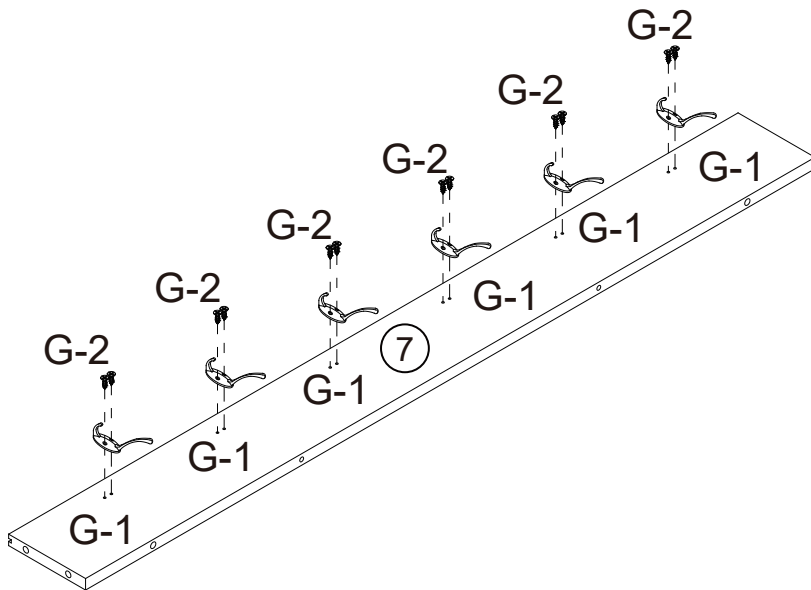
| | | | |
|---|--|---|---|
| <p>(A)</p>  <p>Cam Bolt x 66+3</p> | <p>(B)</p>  <p>Cam Lock x 66+3</p> | <p>(C)</p>  <p>8*30mm Dowel x 42+3</p> | <p>(D)</p>  <p>5*40mm Screw x 18+3</p> |
| <p>(E)</p>  <p>3.5*14mm Screw x 44+3</p> | <p>(F)</p>  <p>CL DR DL GR</p> <p>300mm Drawer slide x 2</p> | <p>(G)</p>  <p>G-1 G-2</p> <p>Clothes-hook x 6</p> | <p>(H)</p>  <p>H-1 H-2</p> <p>Handle x 2</p> |
| <p>(J)</p>  <p>Foot x 1</p> | <p>(K)</p>  <p>Adjusting the feet x 1+1</p> | <p>(L)</p>  <p>Iron Sheet x 1</p> | <p>(M)</p>  <p>Back panel buckle x 24+3</p> |
| <p>(N)</p>  <p>N1 N2 N3 N4 N5</p> <p>Anti dumping x 2 set</p> | <p>(O)</p>  <p>Hole to stick x 16+2</p> | <p>(P)</p>  <p>Screwdriver x 1</p> | |
| | | | |
| | | | |

Assembly Instructions

Step 1

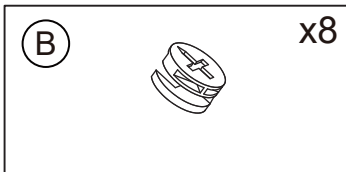
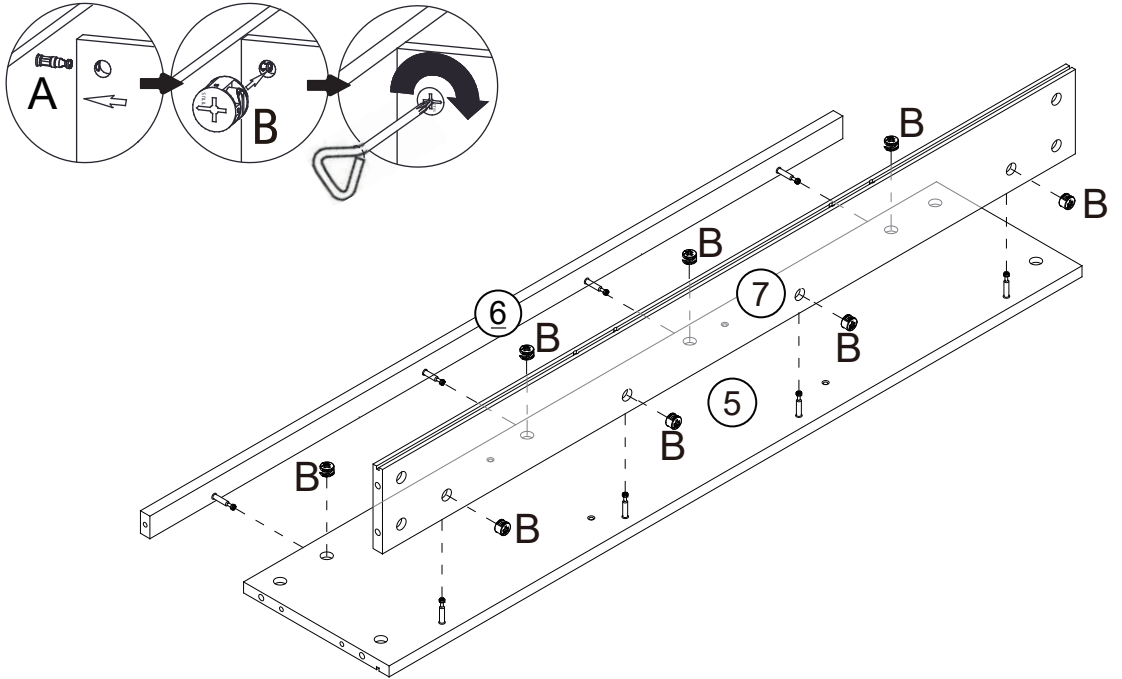


Step 2

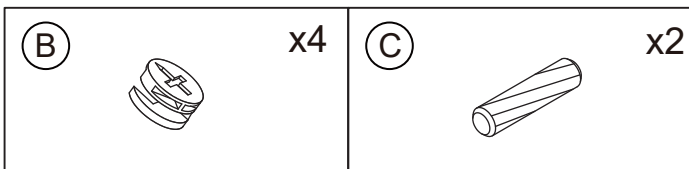
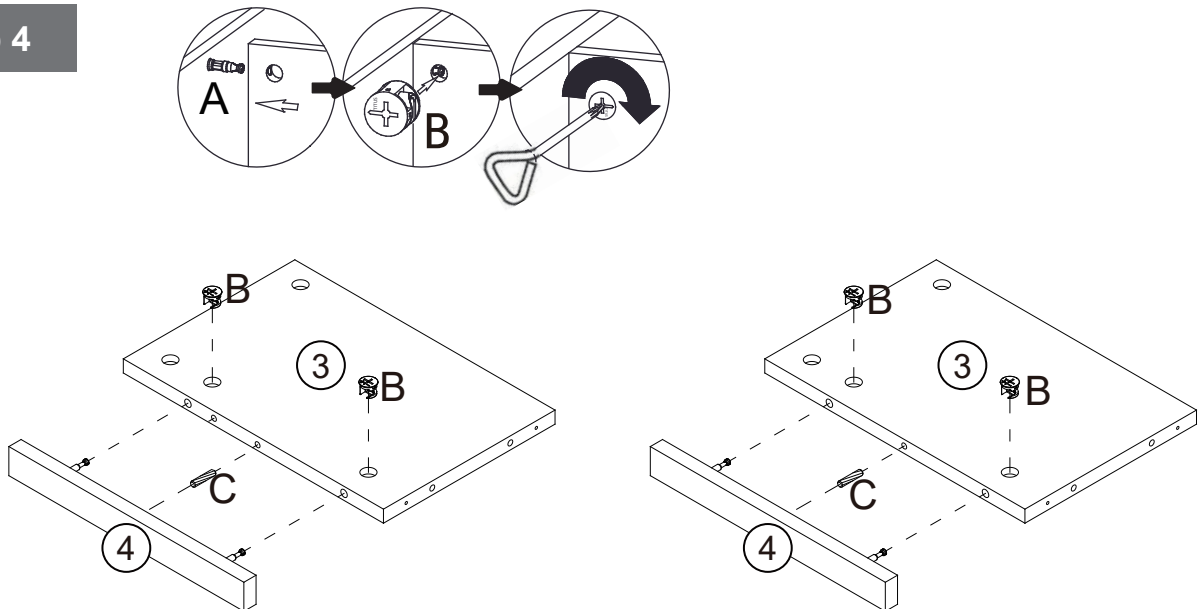


Assembly Instructions

Step 3

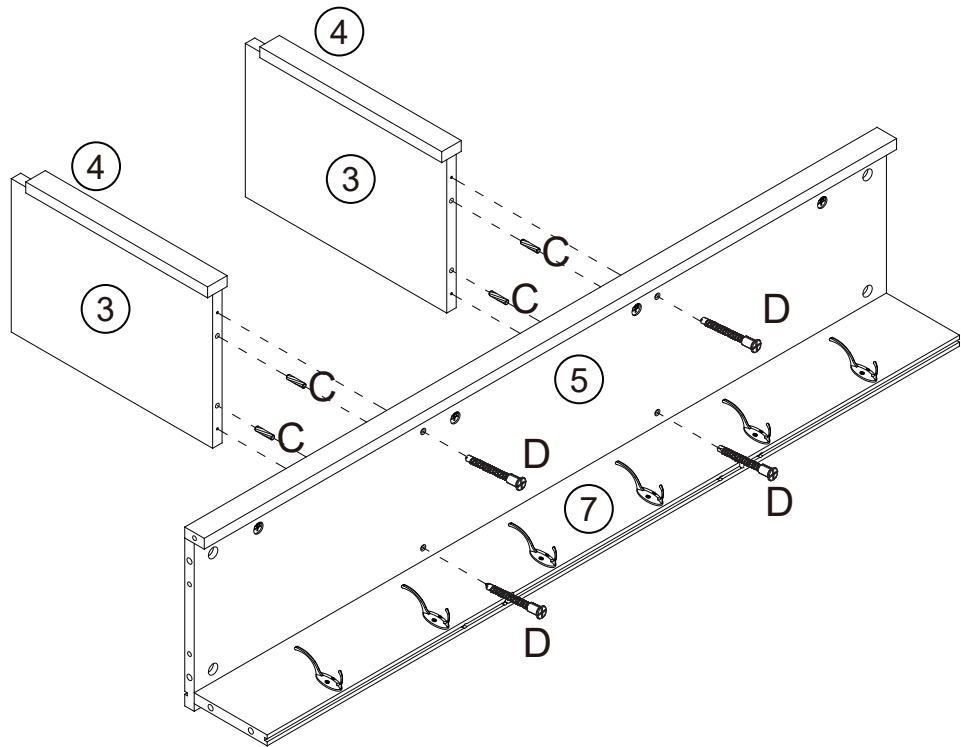


Step 4

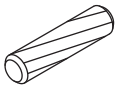


Assembly Instructions

Step 5

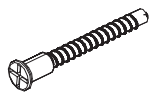


C



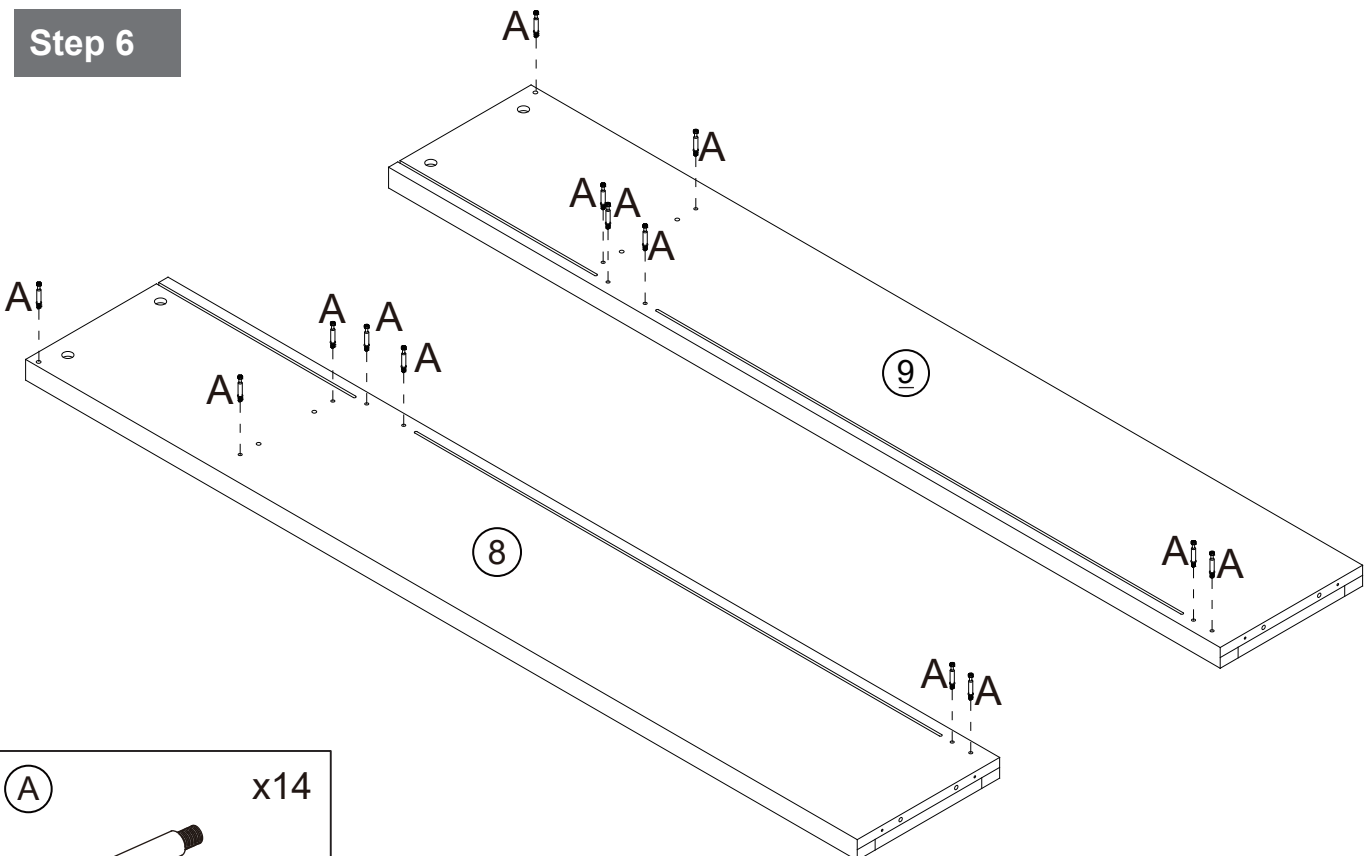
x4

D

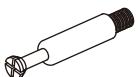


x4

Step 6



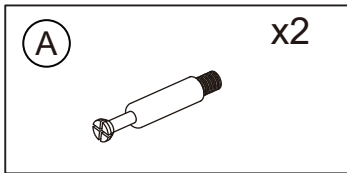
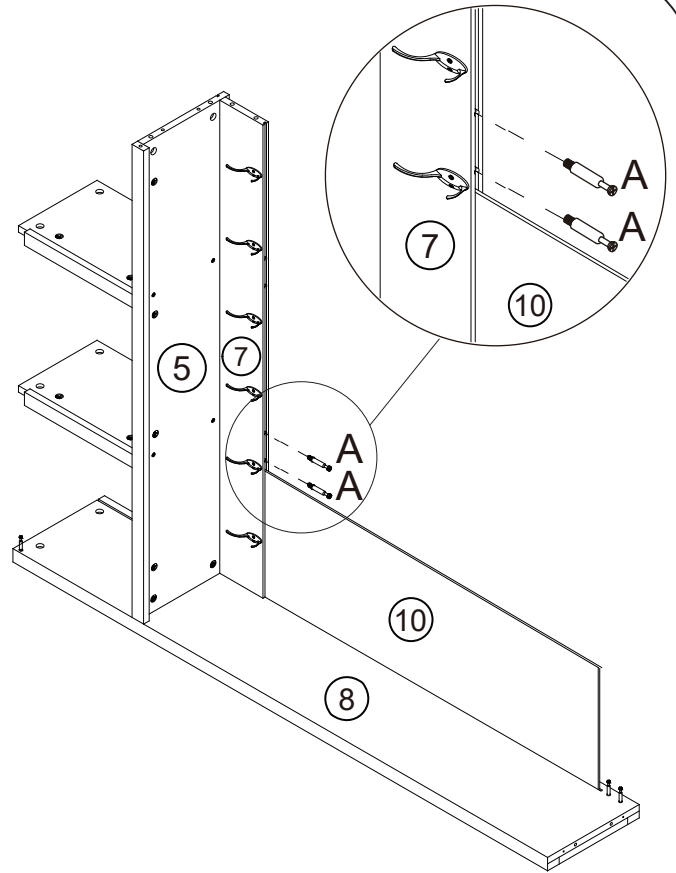
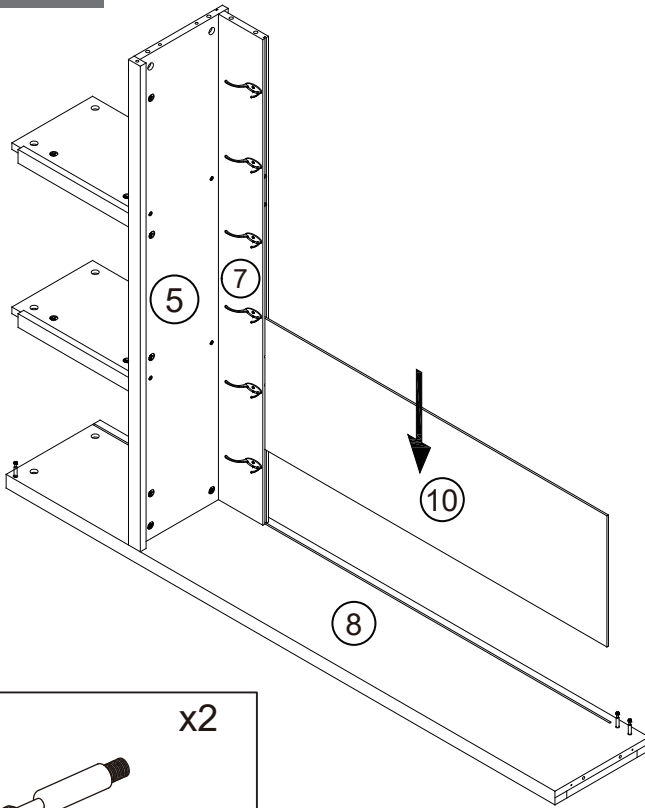
A



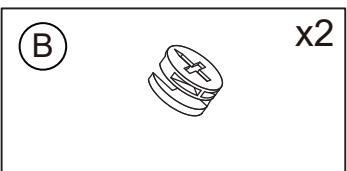
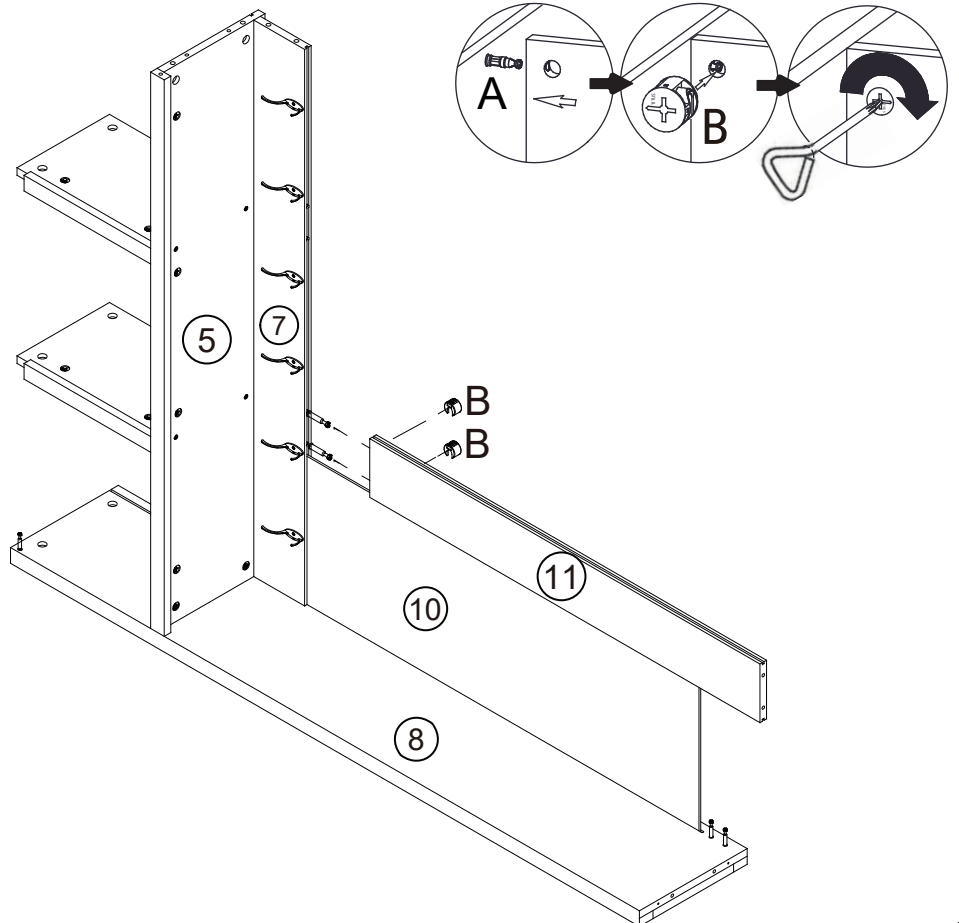
x14

Assembly Instructions

Step 8

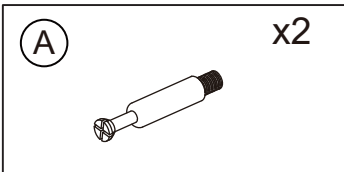
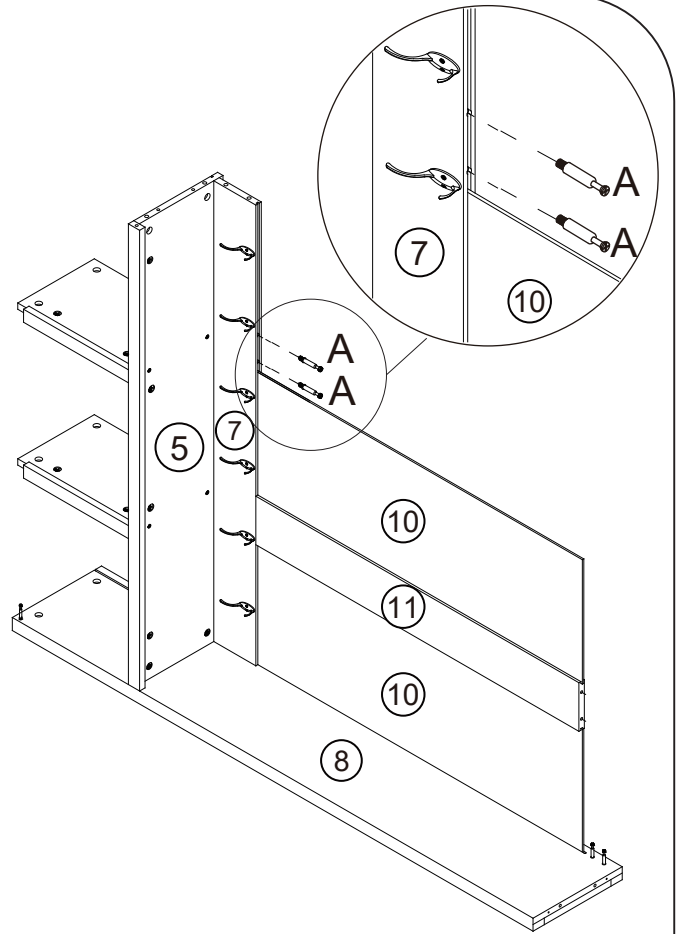
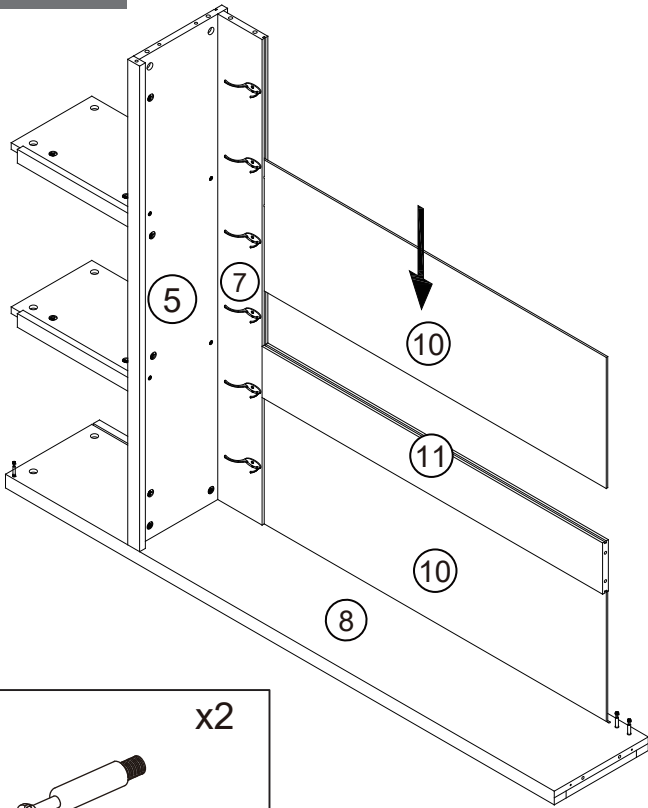


Step 9

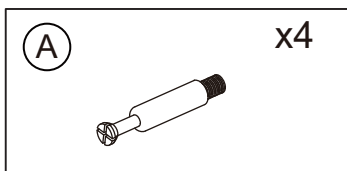
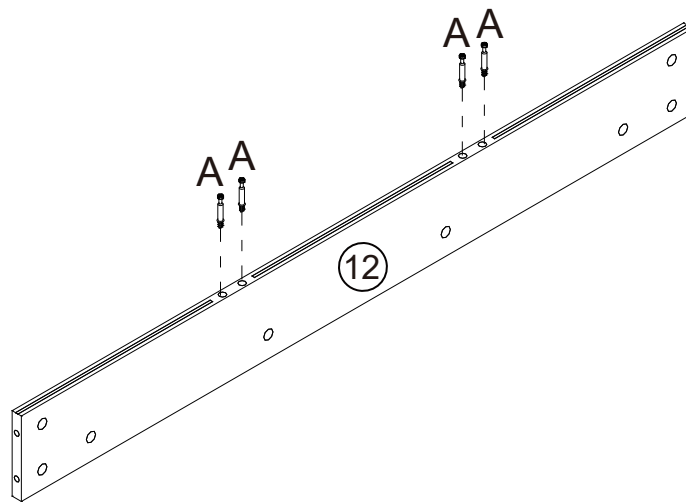


Assembly Instructions

Step 10

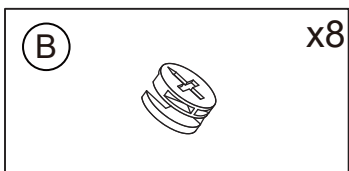
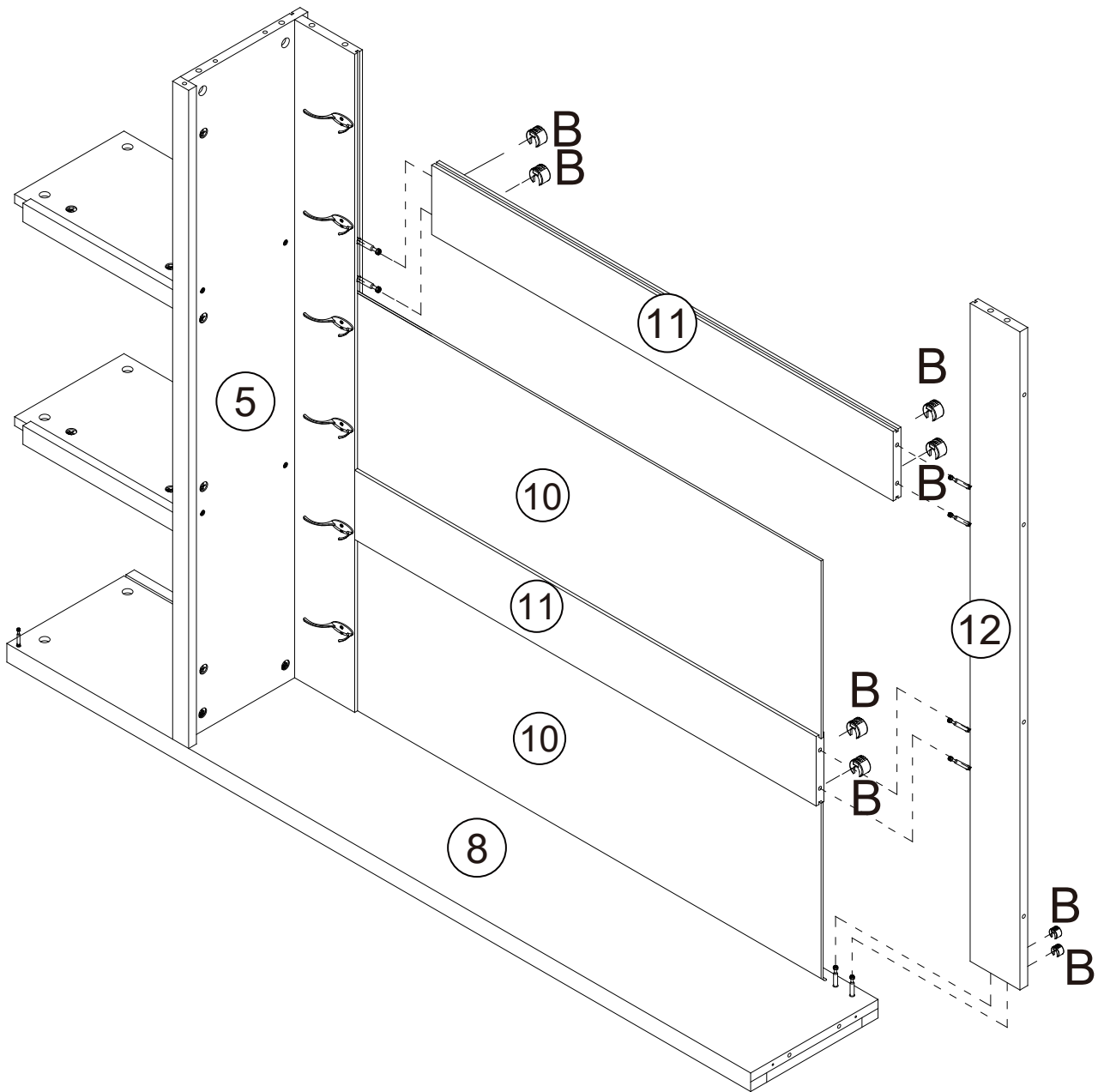
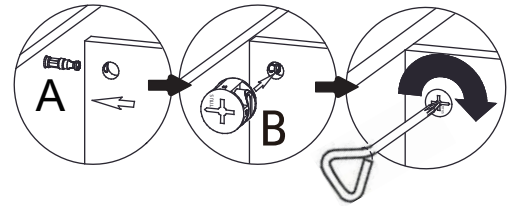


Step 11



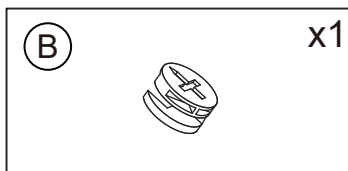
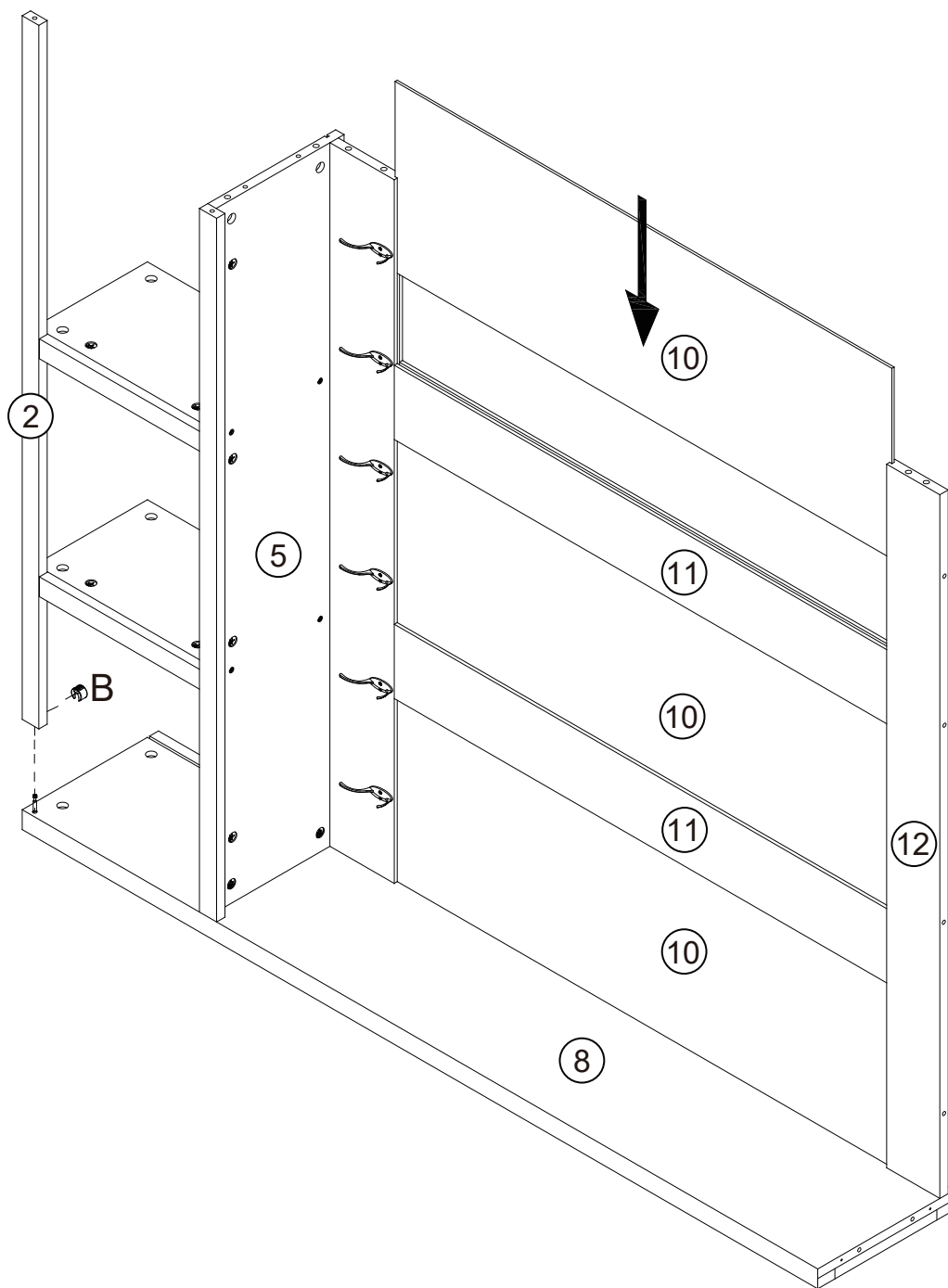
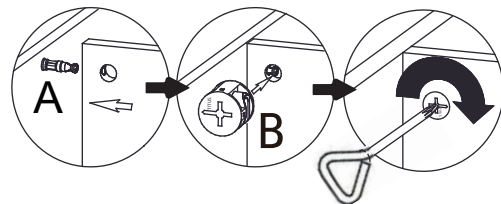
Assembly Instructions

Step 12



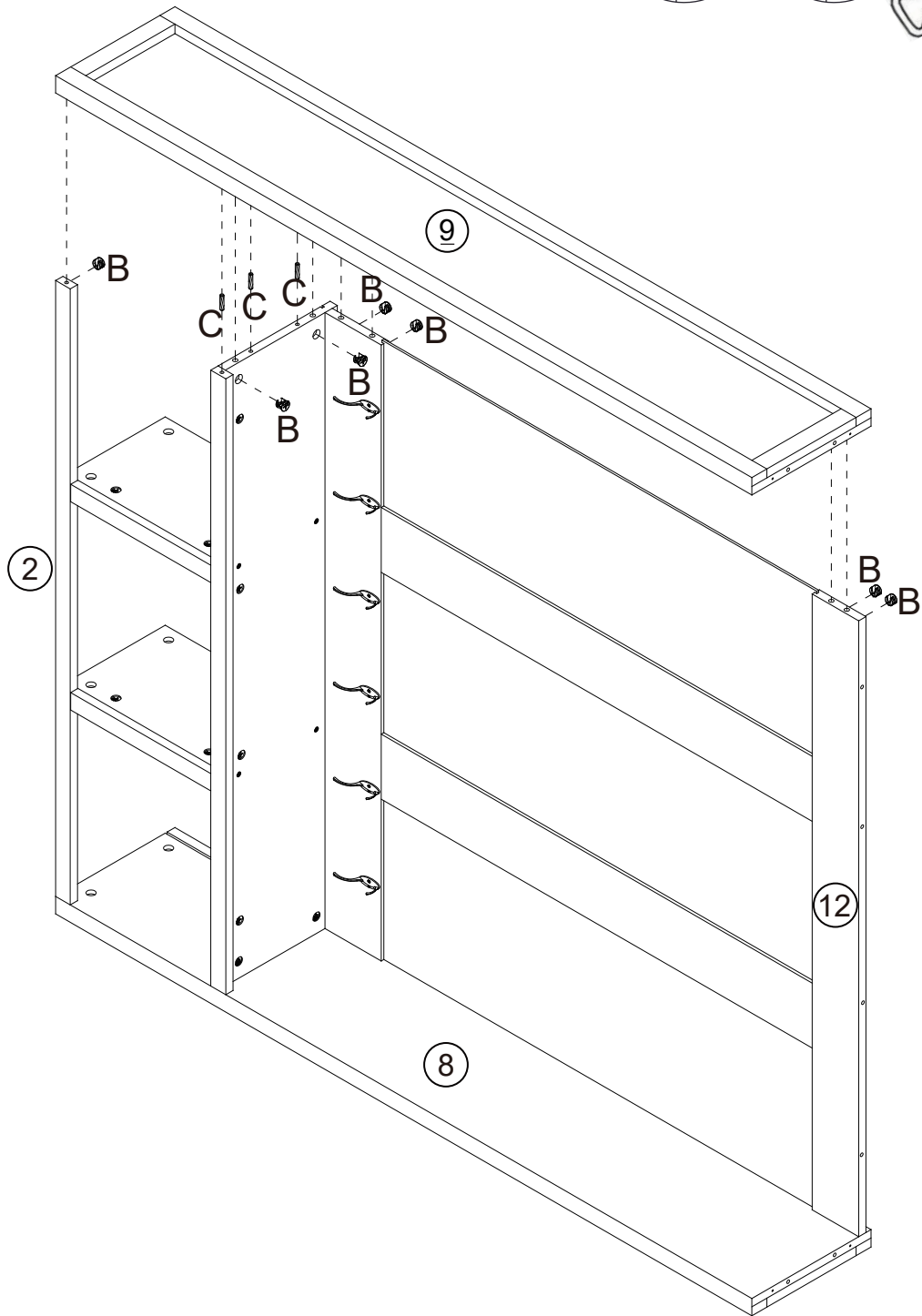
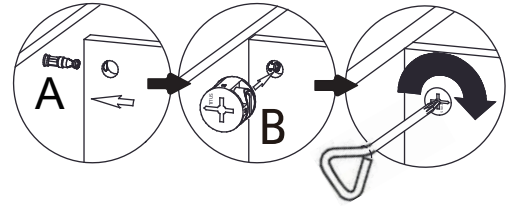
Assembly Instructions

Step 13



Assembly Instructions

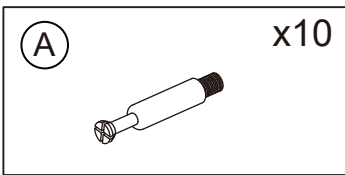
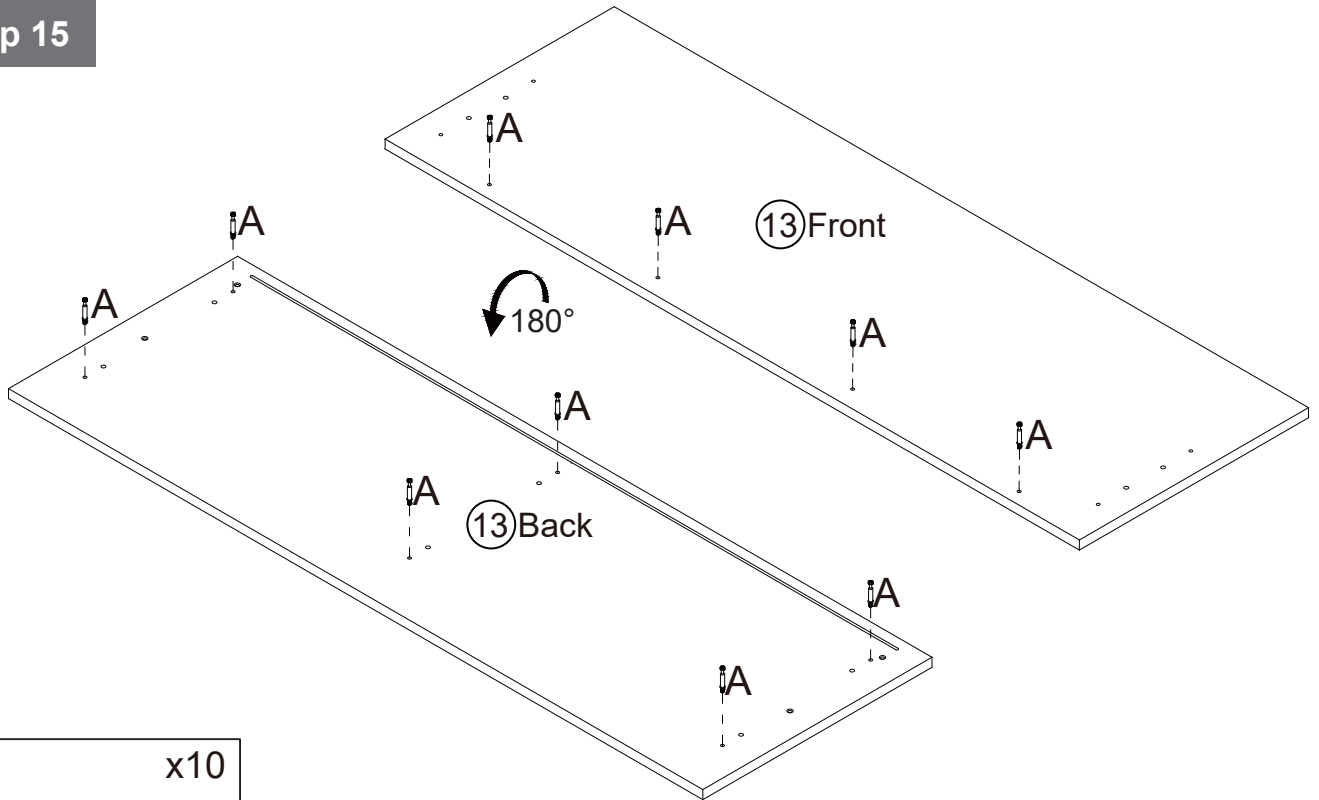
Step 14



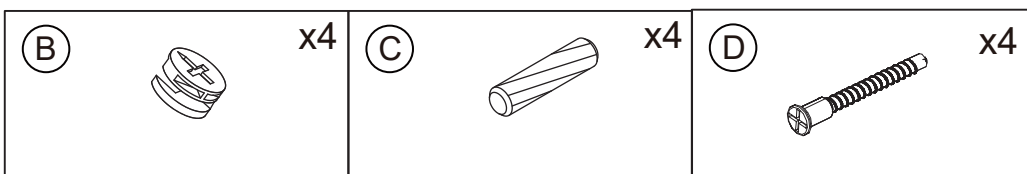
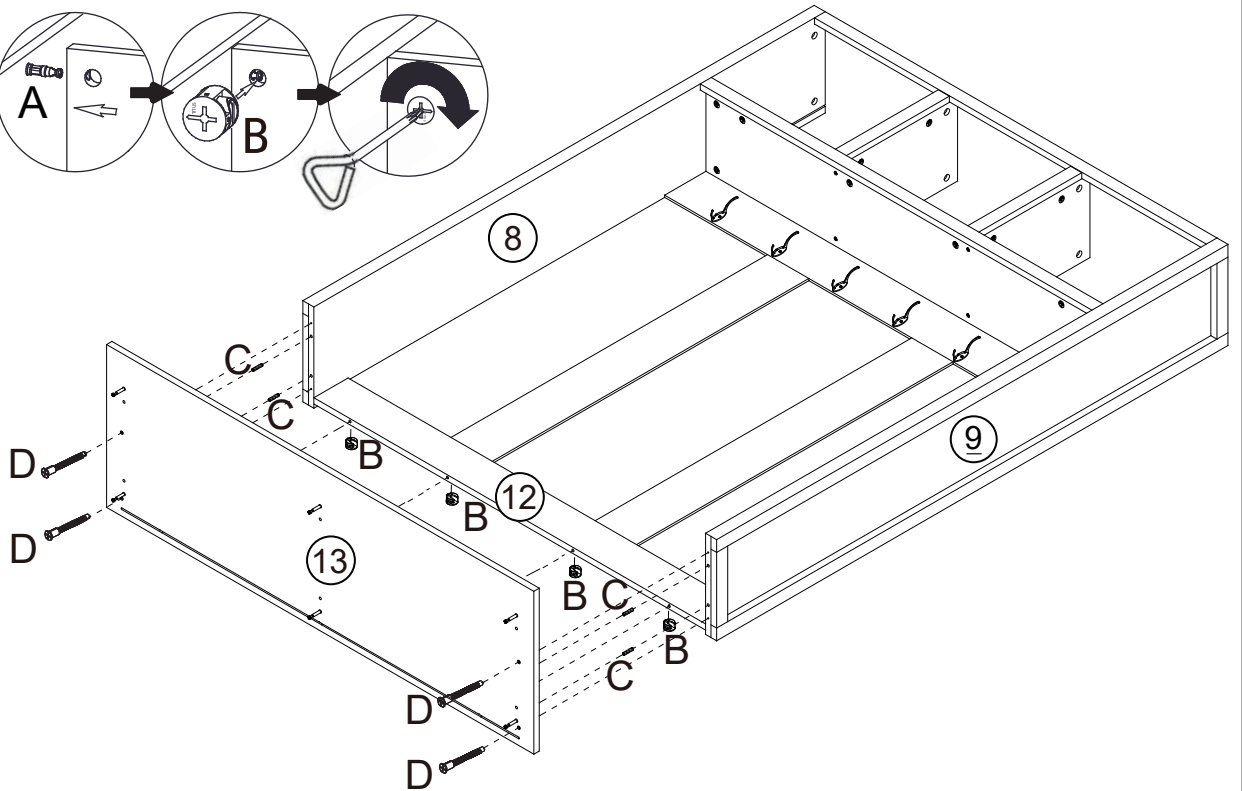
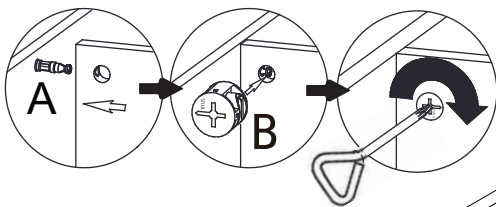
| | | | | | |
|-----|--|----|-----|--|----|
| (B) | | x7 | (C) | | x3 |
|-----|--|----|-----|--|----|

Assembly Instructions

Step 15

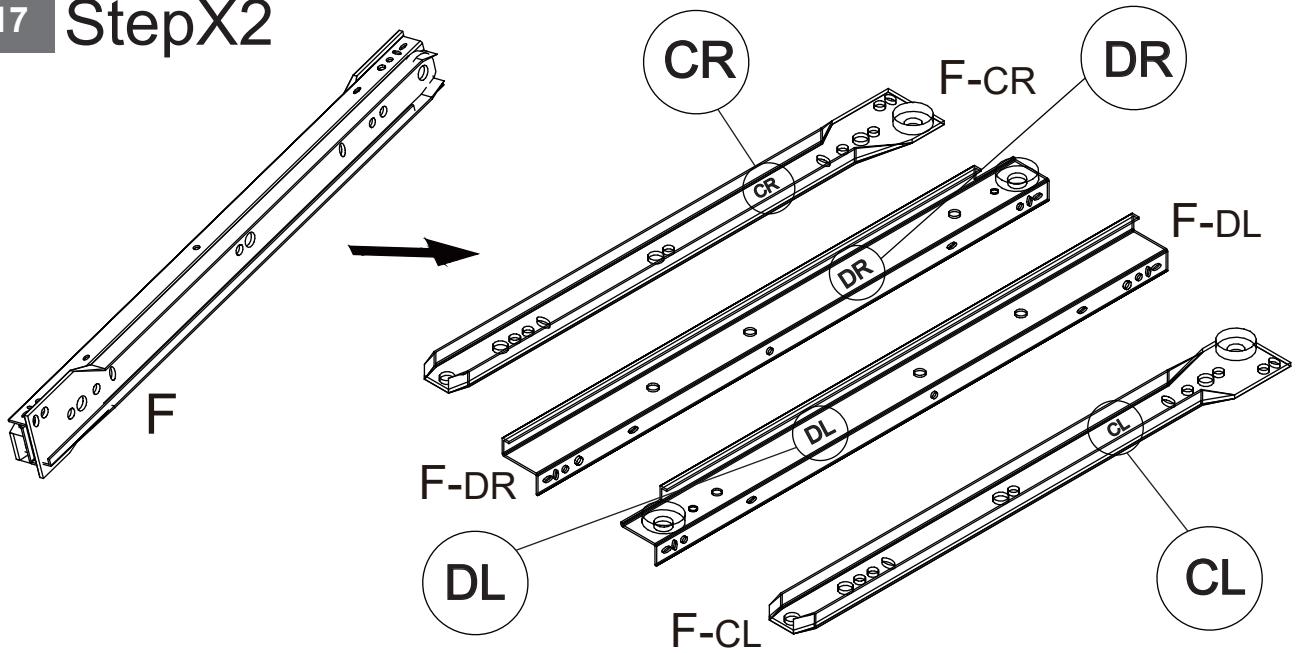


Step 16

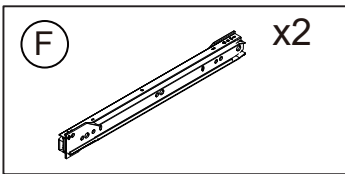


Assembly Instructions

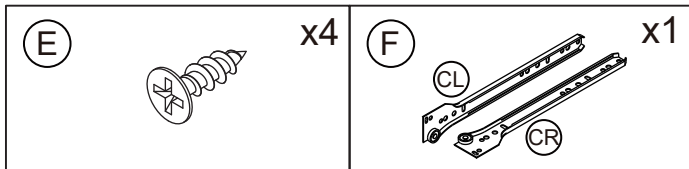
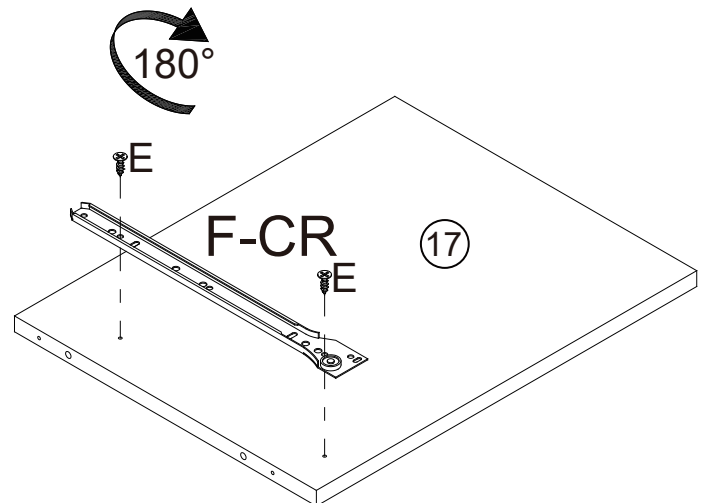
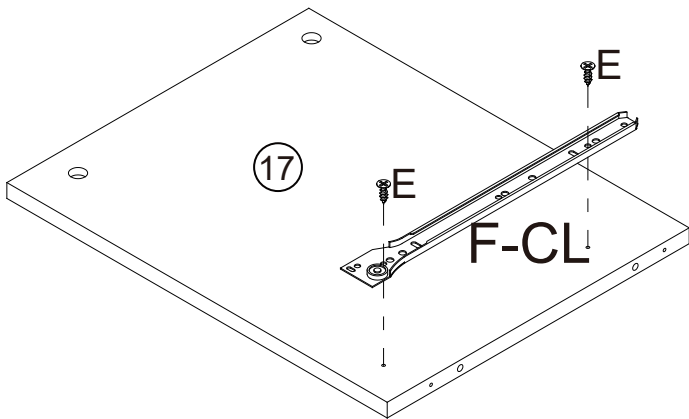
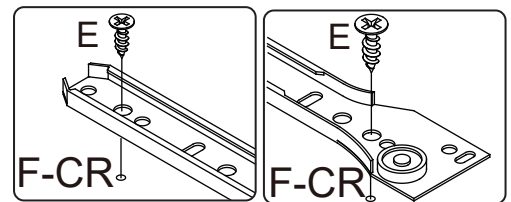
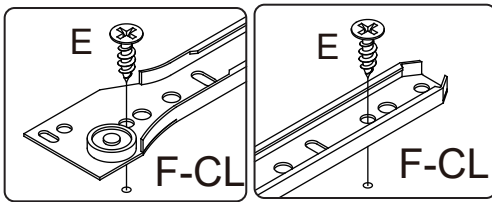
Step 17 StepX2



The slide rail can be separated into four individual components.



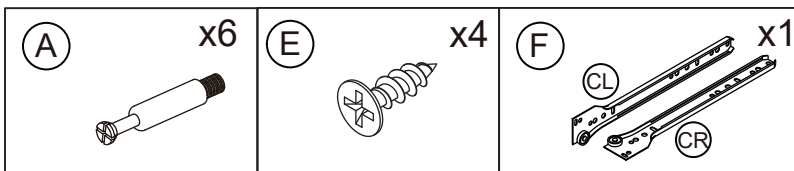
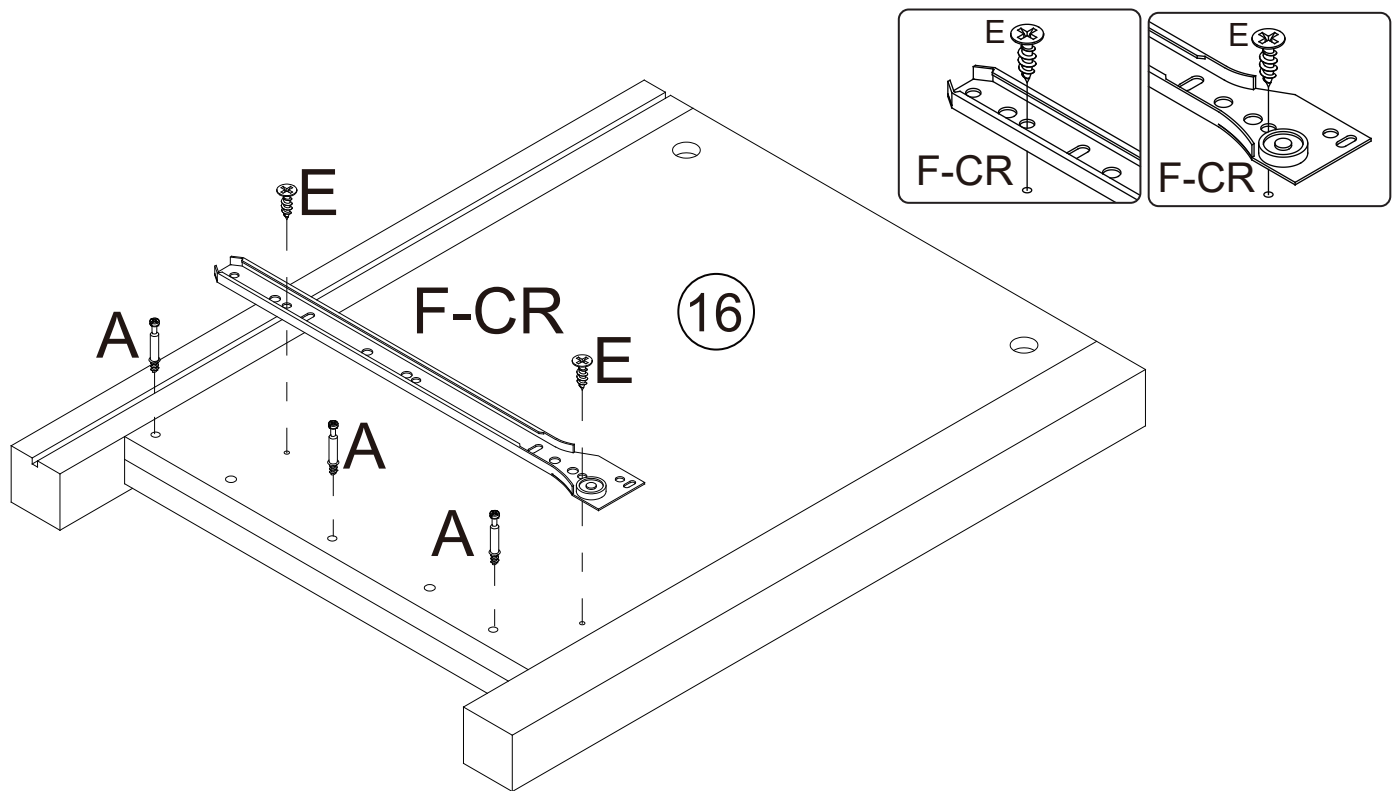
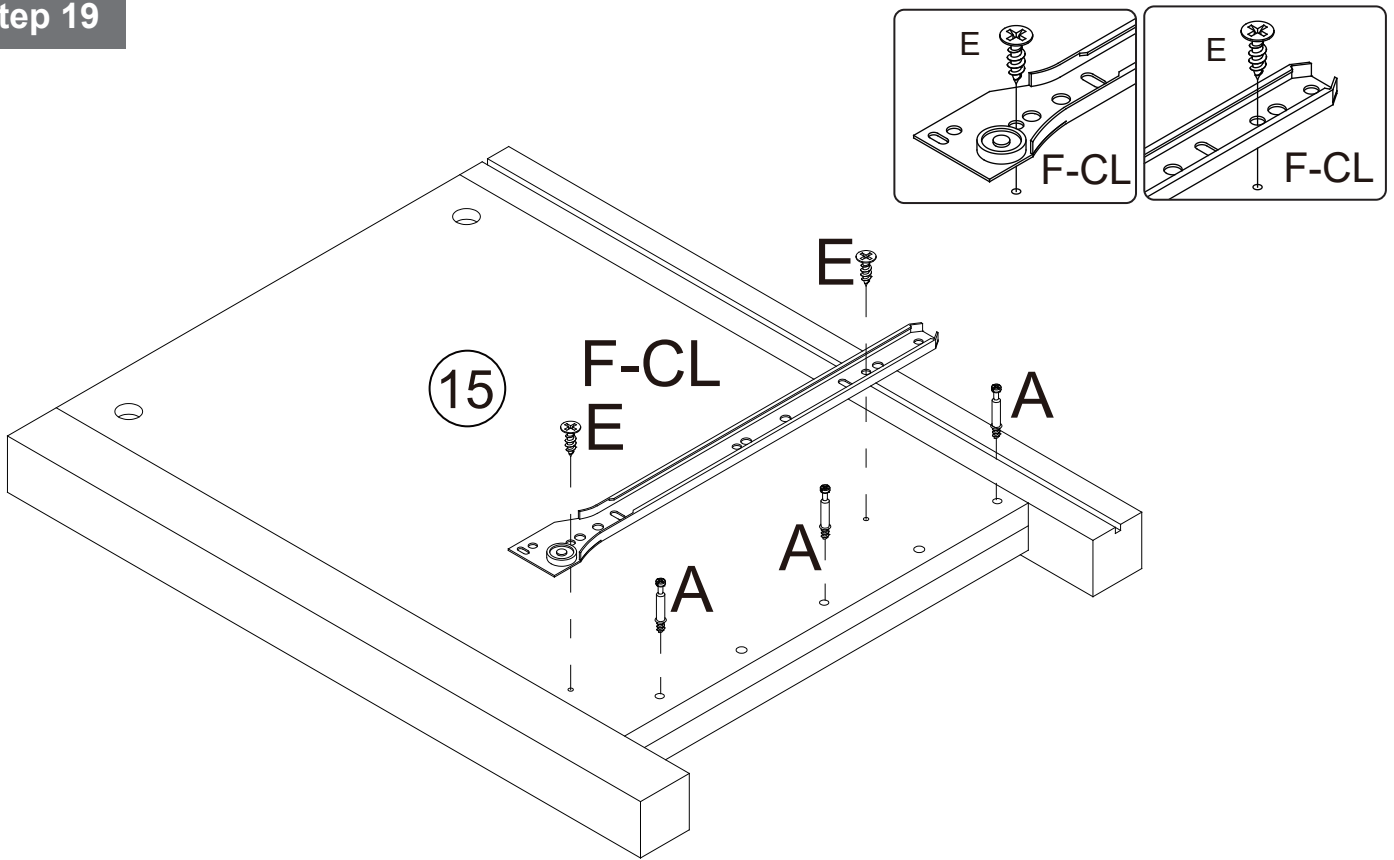
Step 18



Both sides of board#17 need to be installed in this step

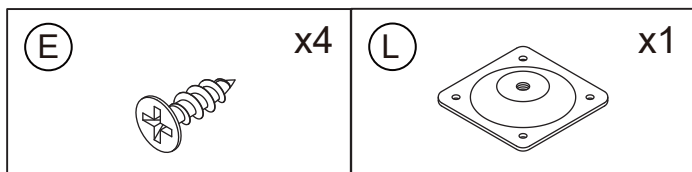
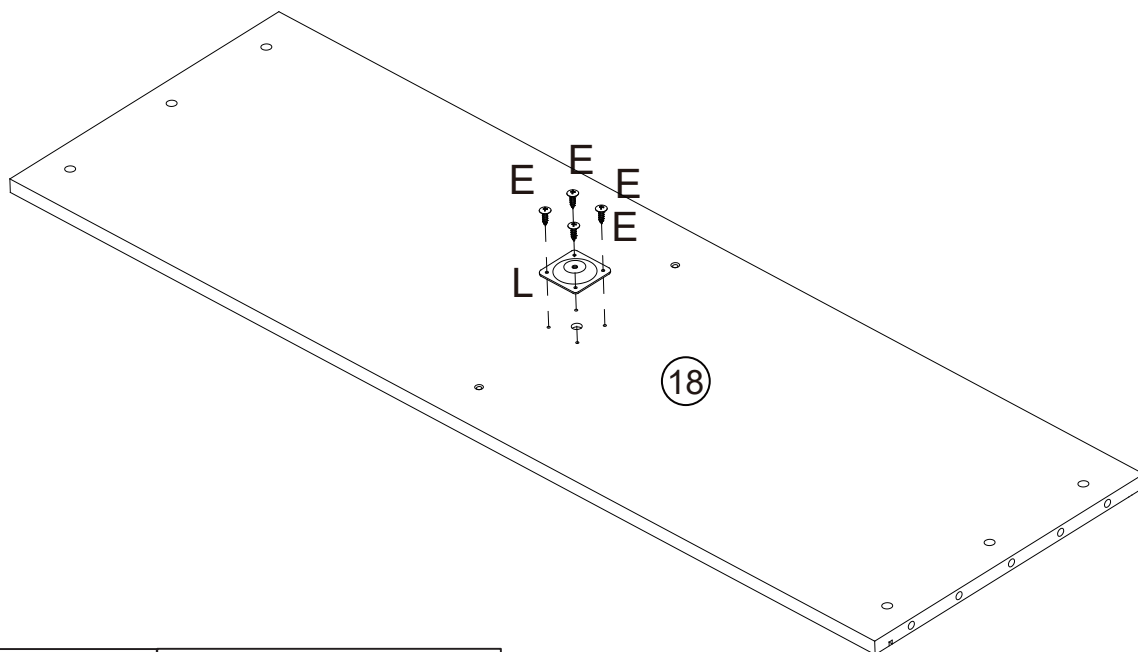
Assembly Instructions

Step 19

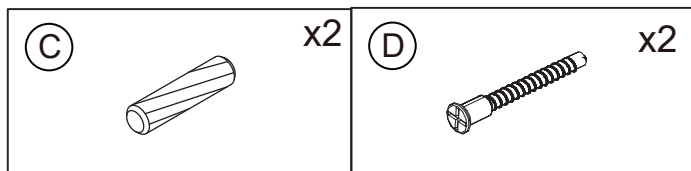
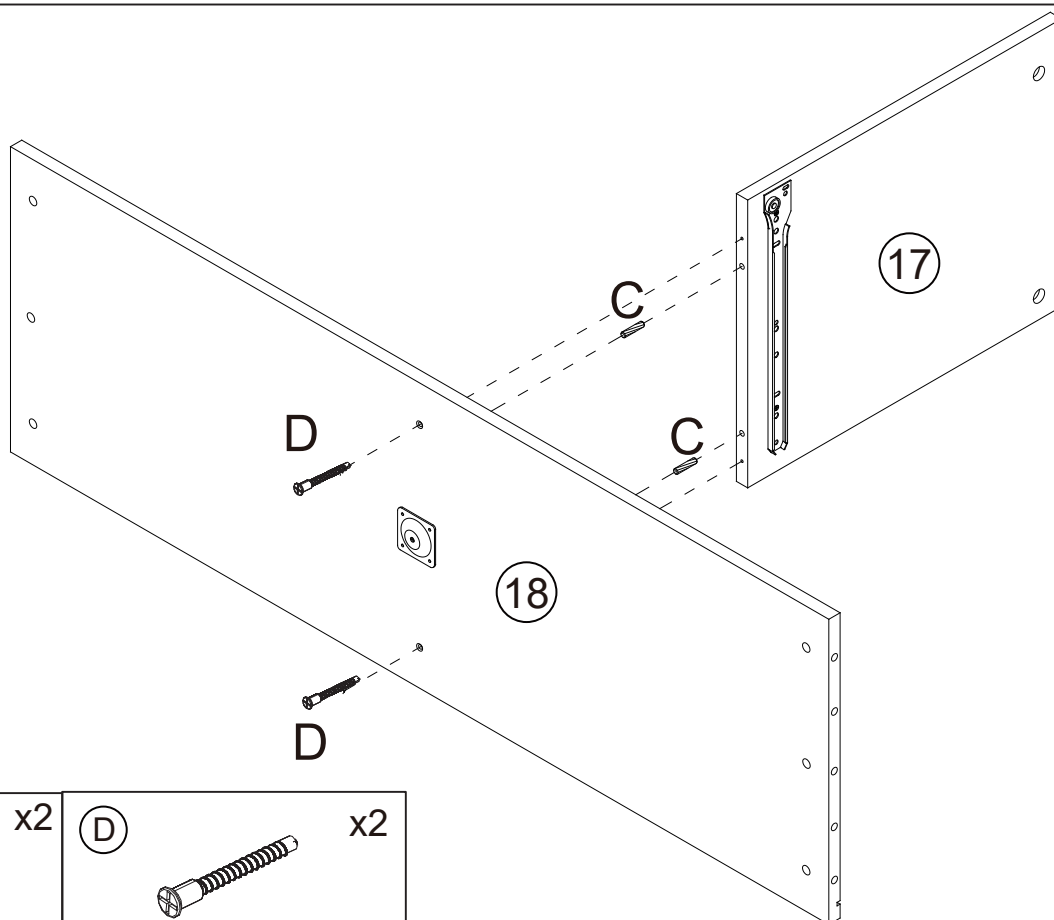


Assembly Instructions

Step 20

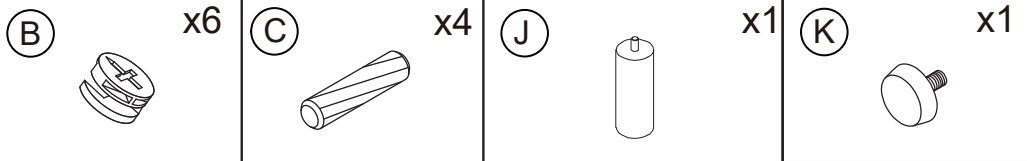
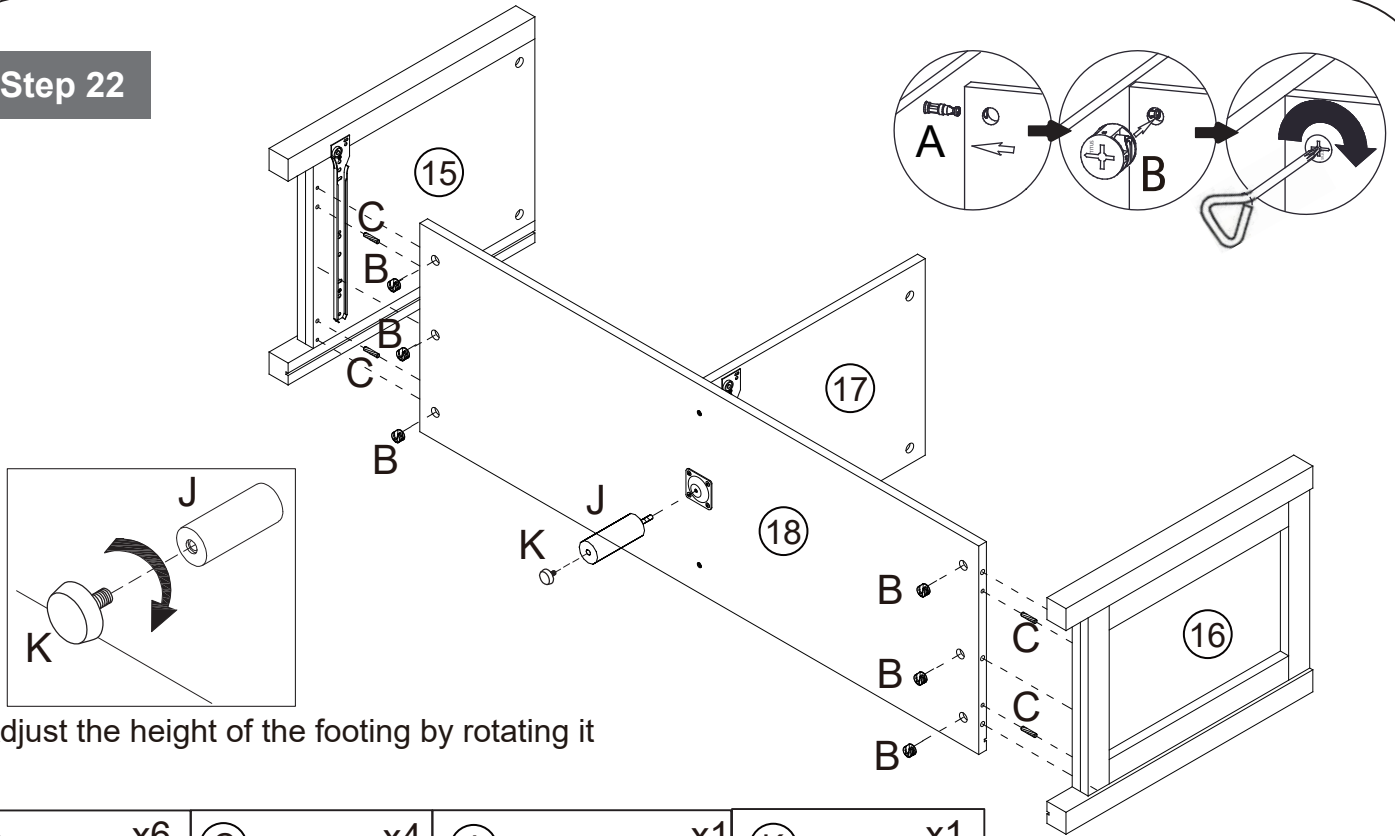


Step 21

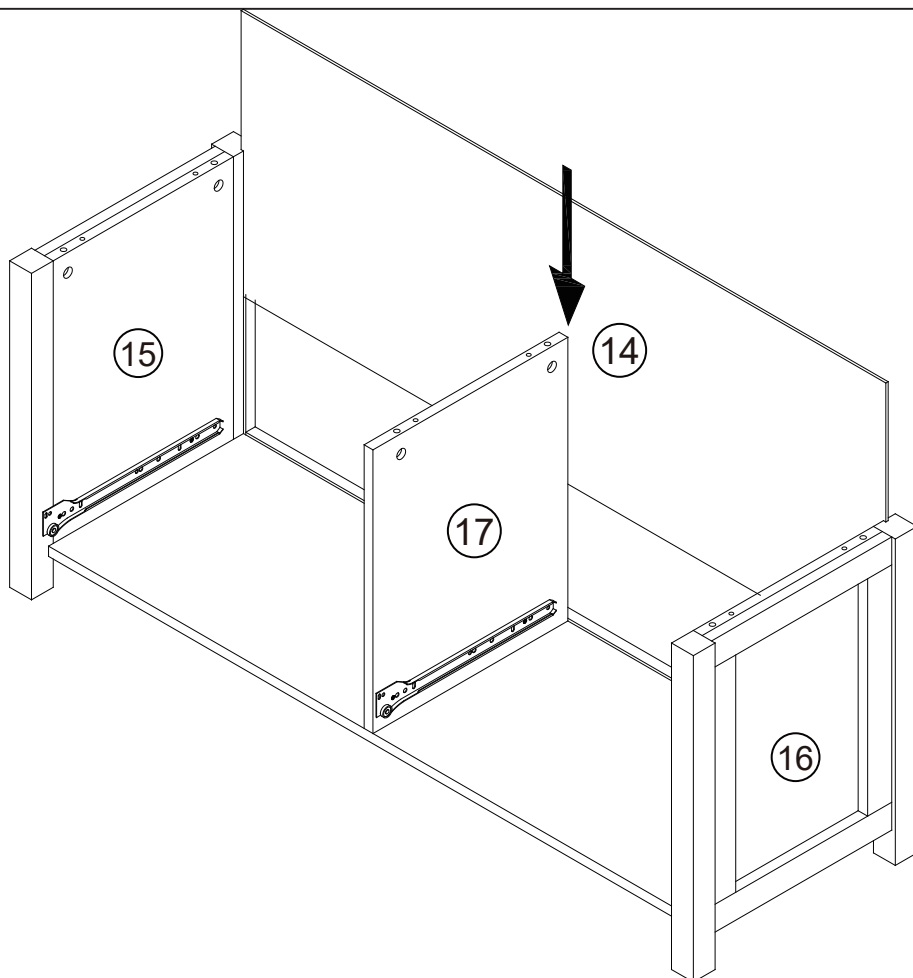


Assembly Instructions

Step 22

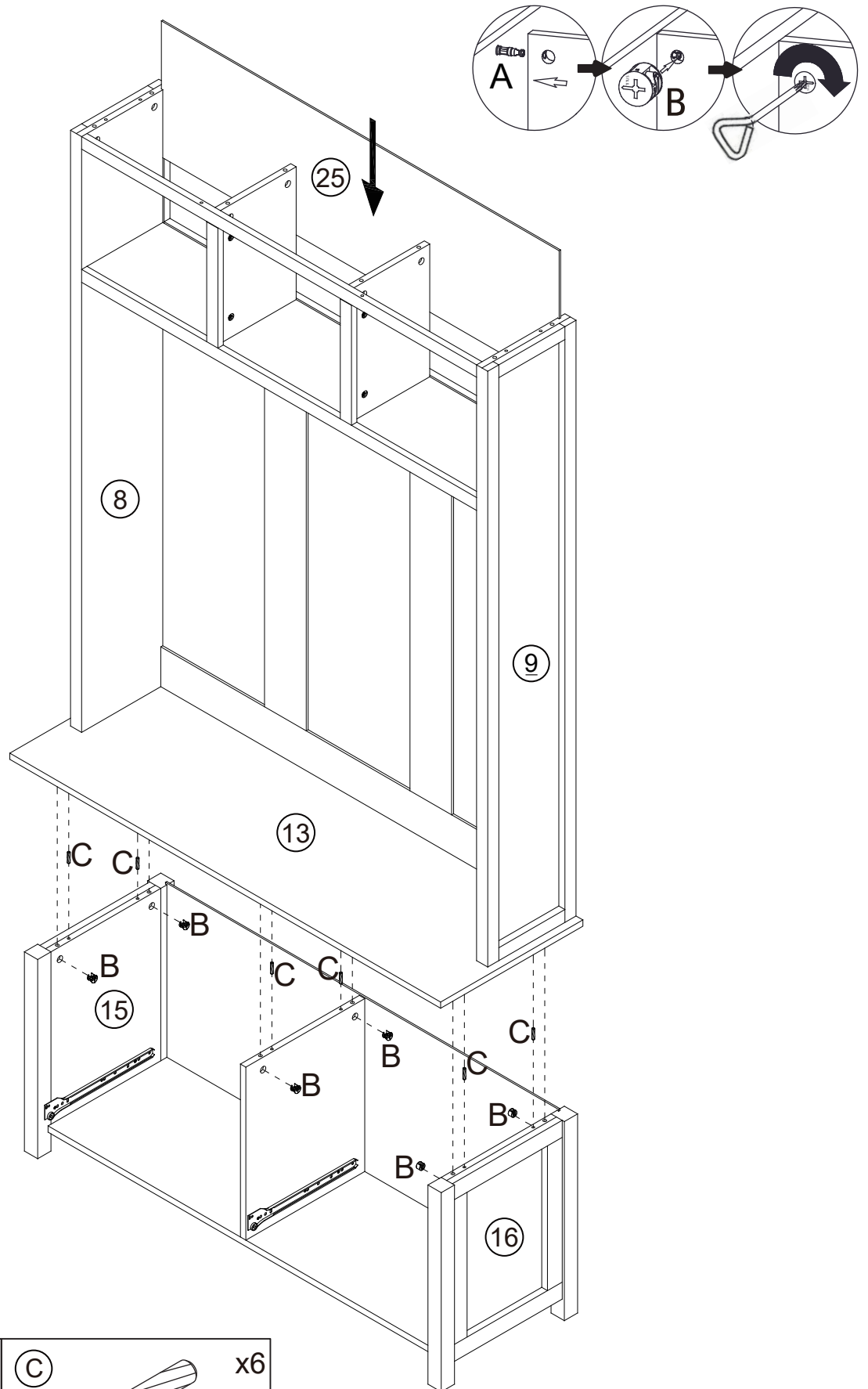


Step 23



Assembly Instructions

Step 24

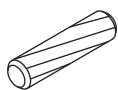


(B)



x6

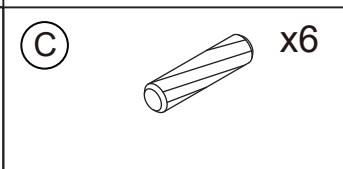
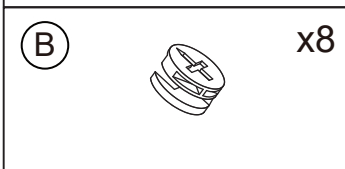
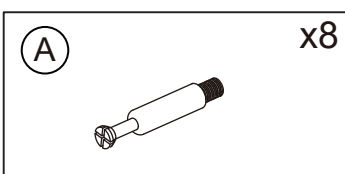
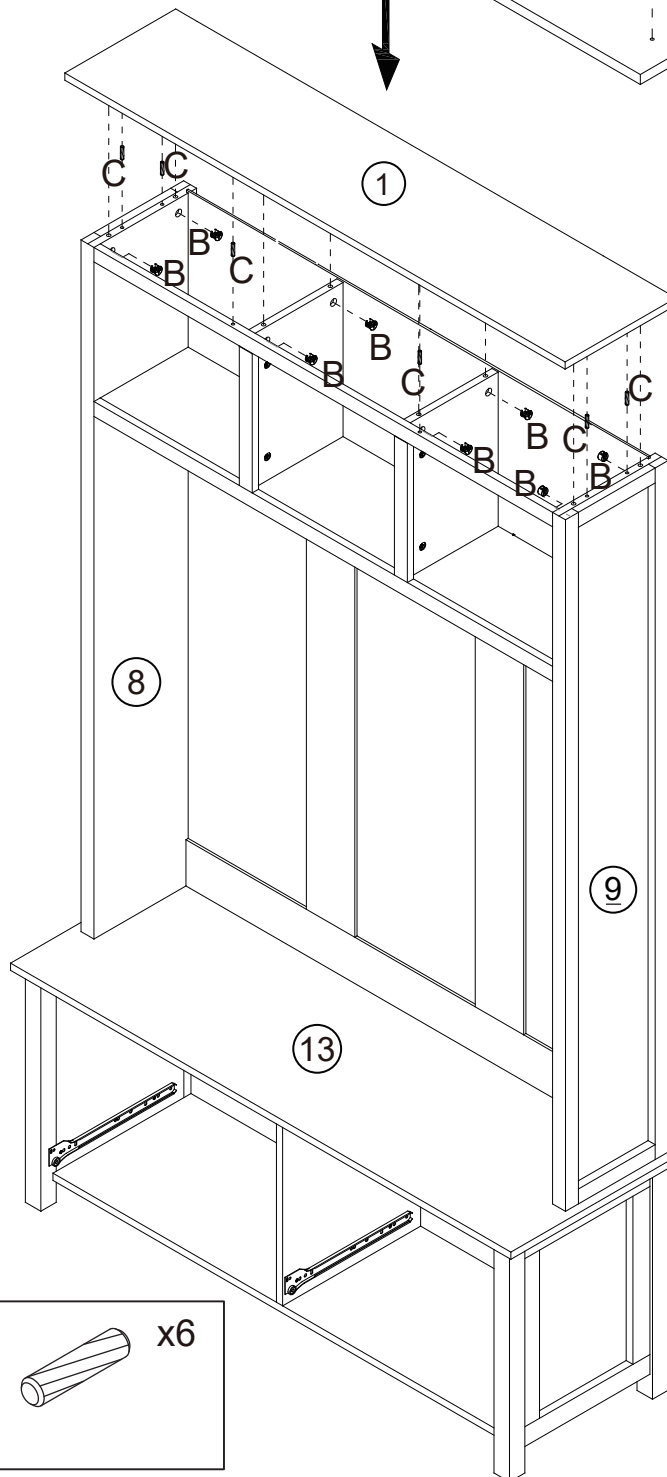
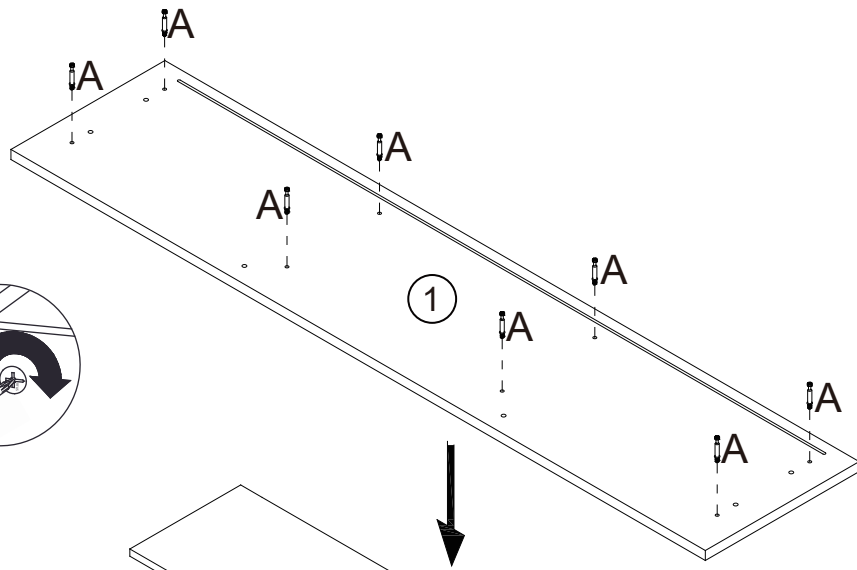
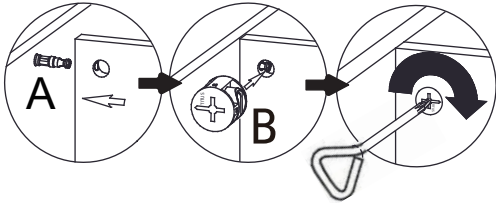
(C)



x6

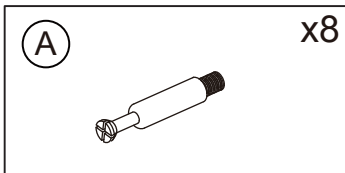
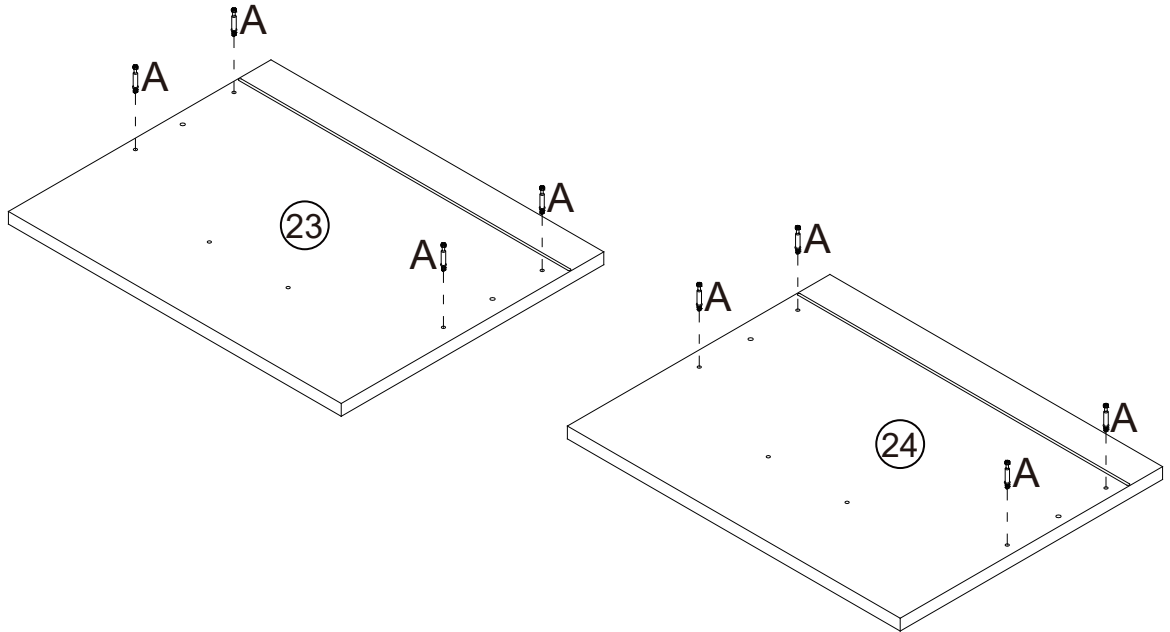
Assembly Instructions

Step 25

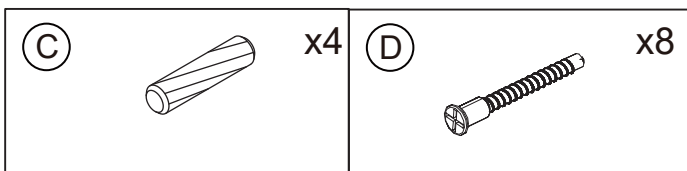
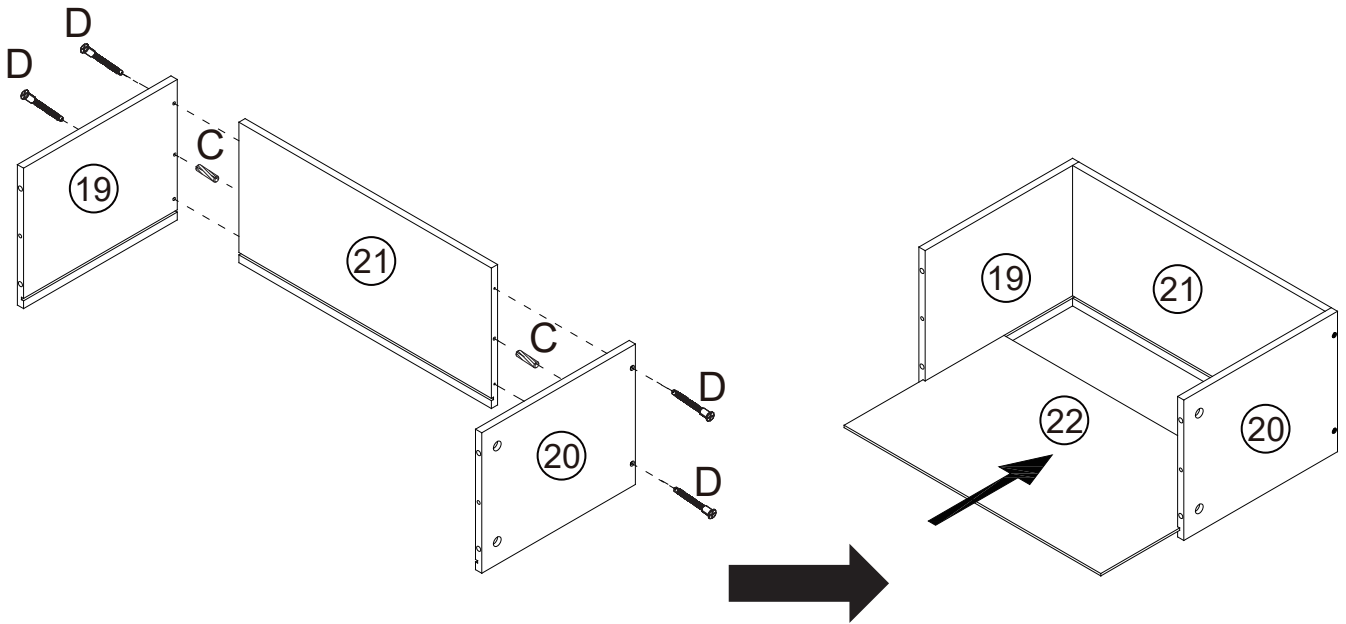


Assembly Instructions

Step 26

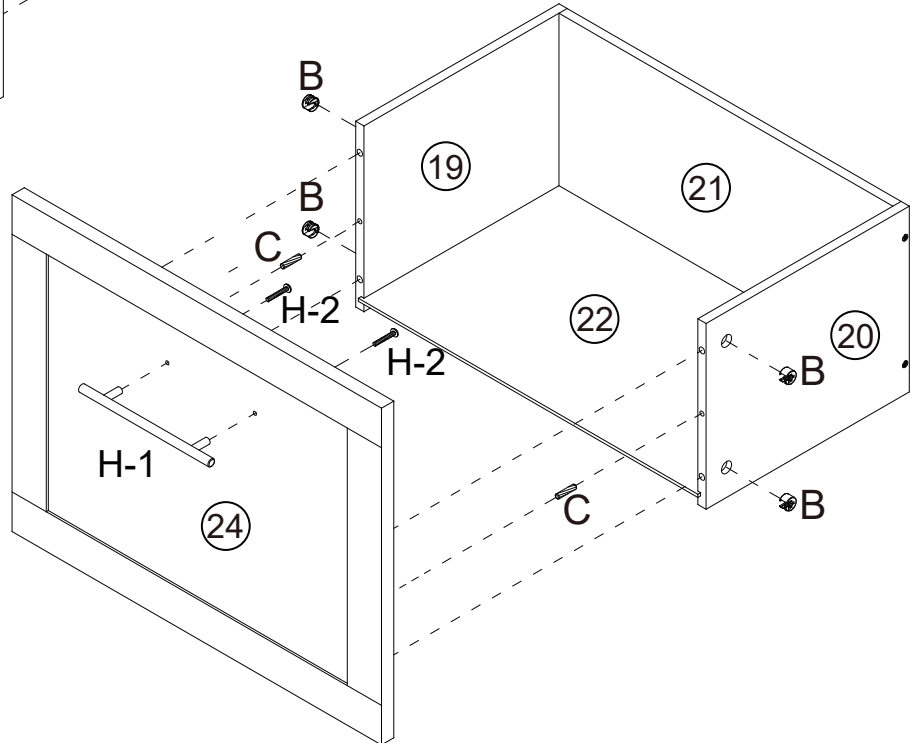
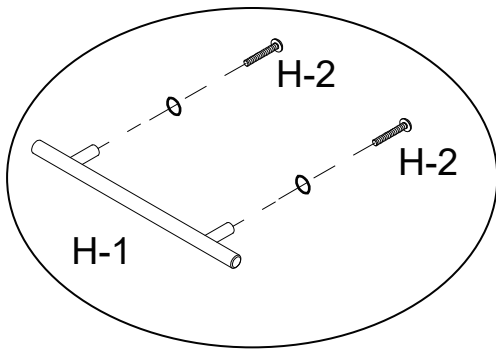
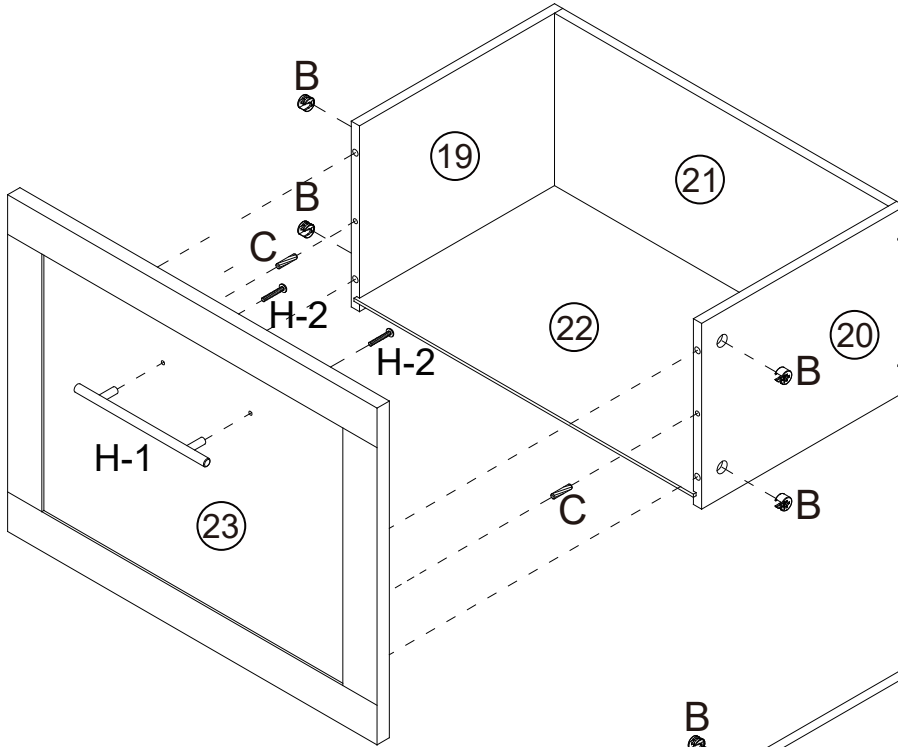
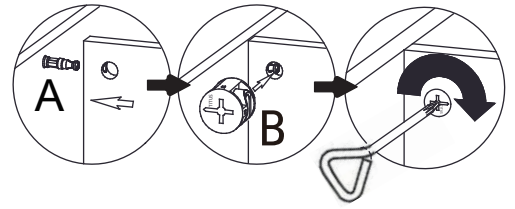



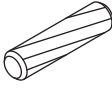
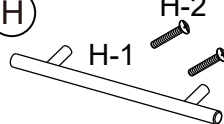
Step 27 StepX2



Assembly Instructions

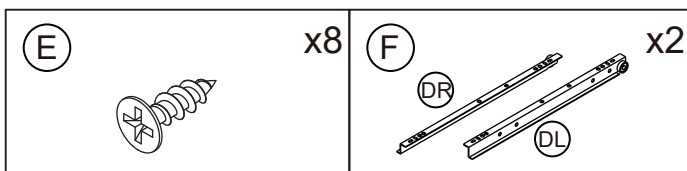
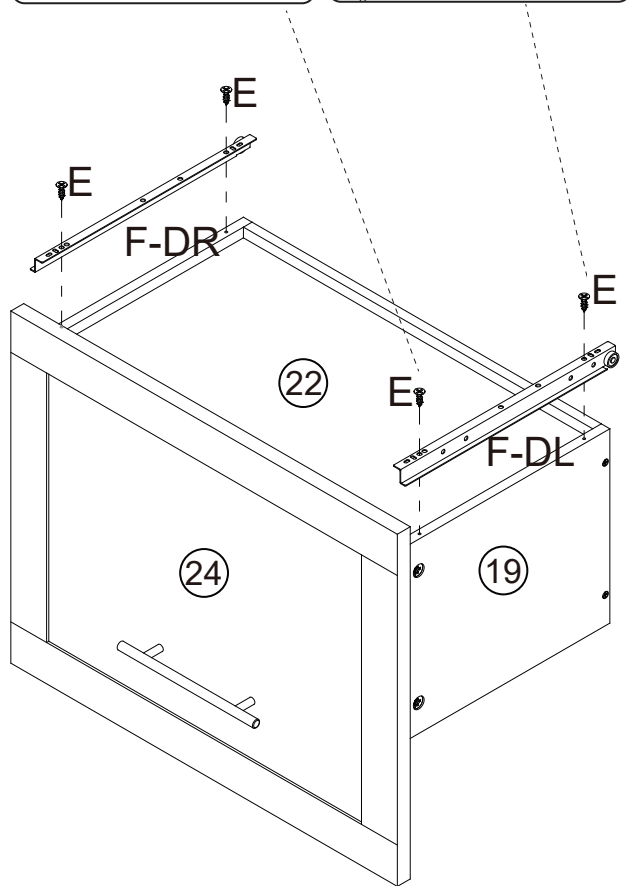
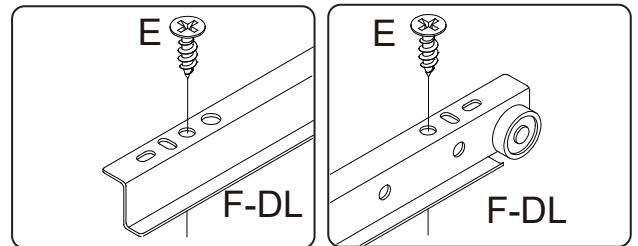
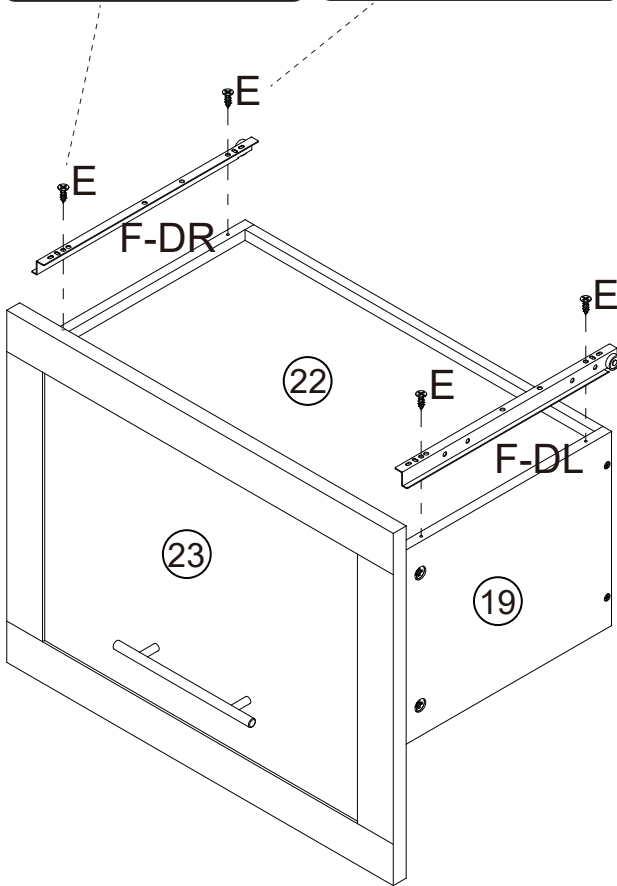
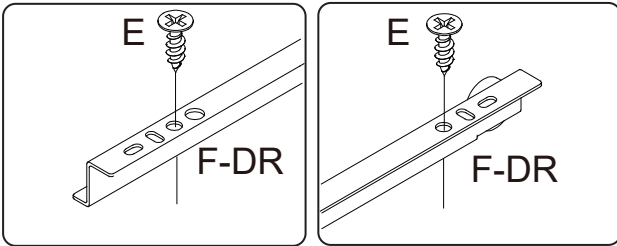
Step 28



| | | |
|---|---|--|
| (B)  x8 | (C)  x4 | (H)  x2 |
|---|---|--|

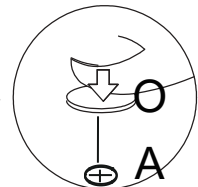
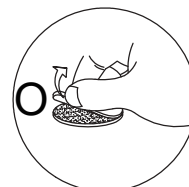
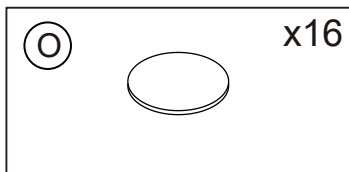
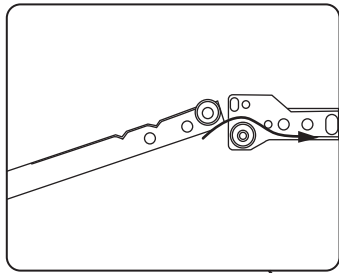
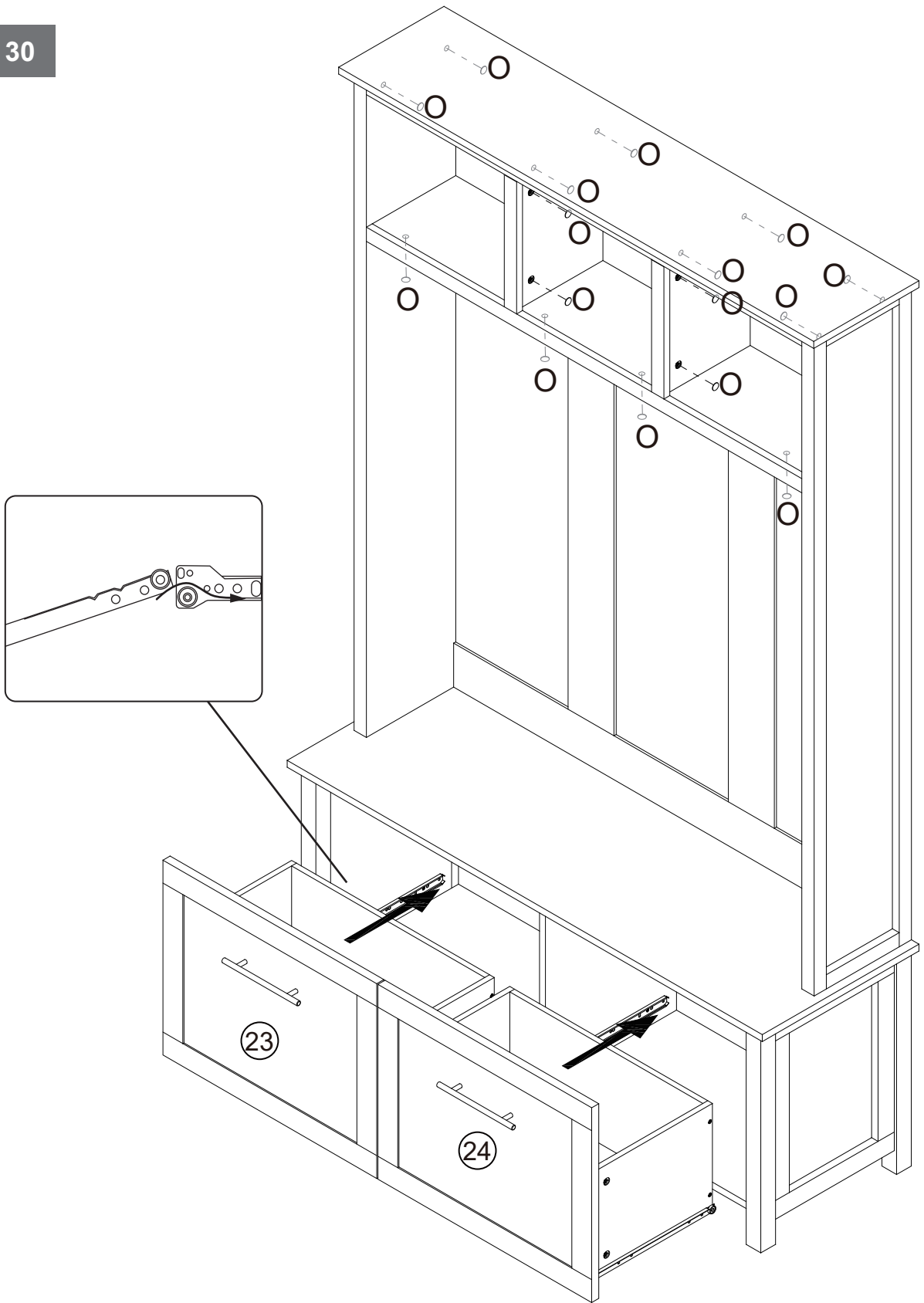
Assembly Instructions

Step 29



Assembly Instructions

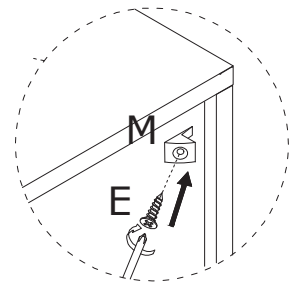
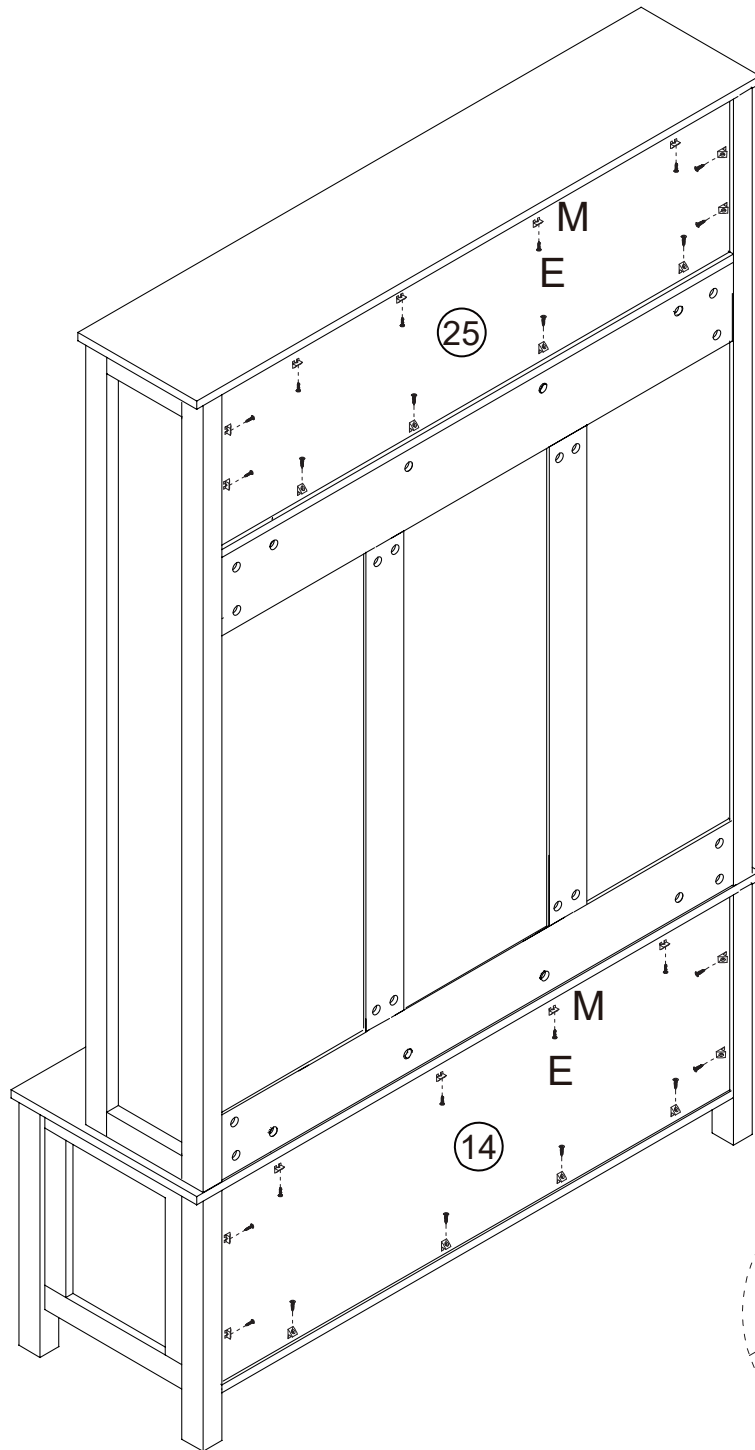
Step 30





Please stick the hardware "O" on the exposed cam lock hole that makes your product more beautiful.

Assembly Instructions

Step 31

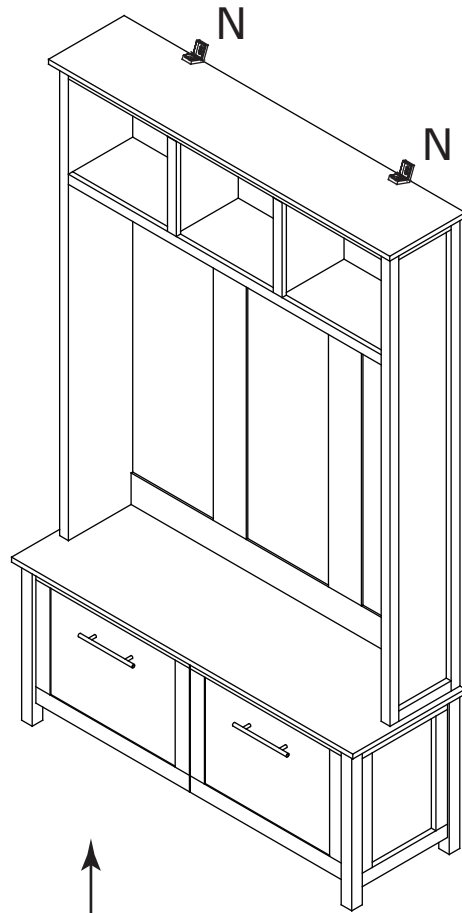


As the picture shows,
Fix hardware "M" into the gap with screws
to make the back panel more stable.

| | |
|--|--|
| <p>(E) x24</p>  | <p>(M) x24</p>  |
|--|--|

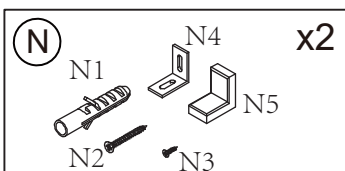
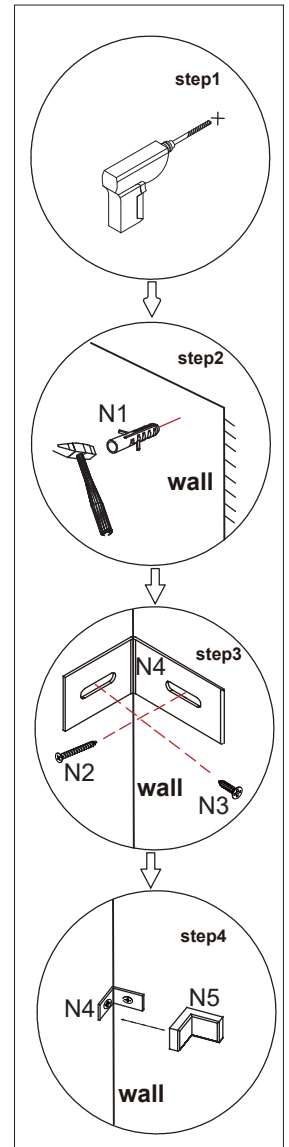
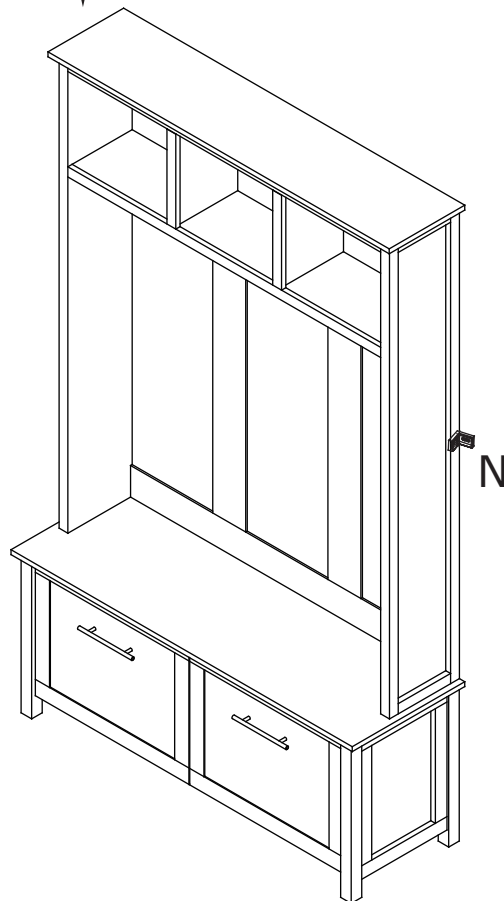
Assembly Instructions

Step 32



OR

This is anti-dumping L-type iron sheet, fixed to the wall of the product, can be required to change the installation location



Assembly Instructions

Step 33

FINISH

