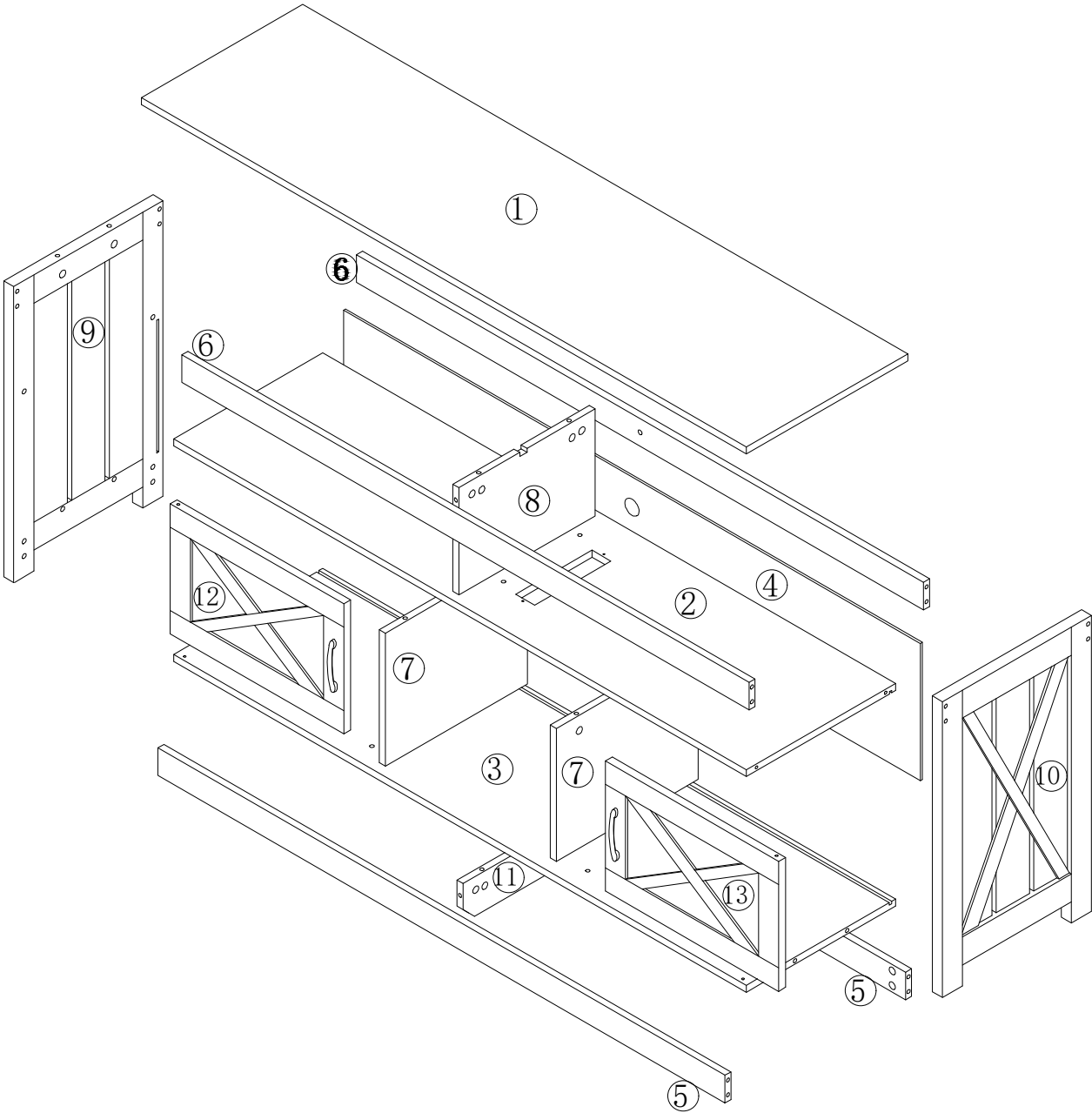
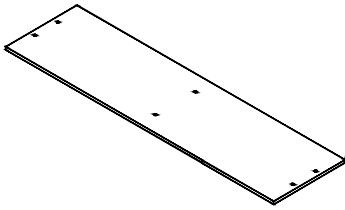
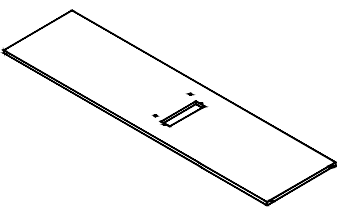
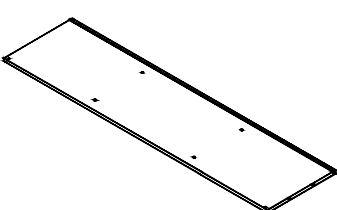
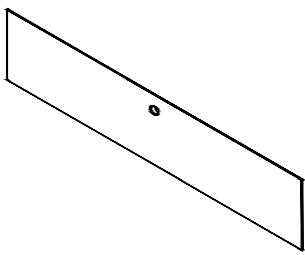
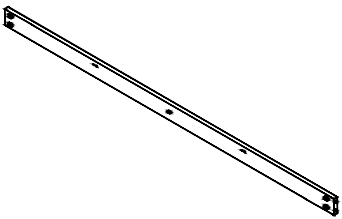
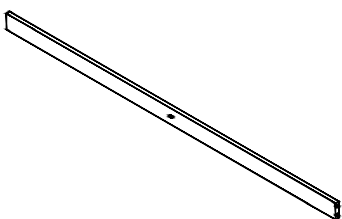
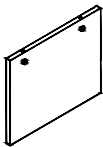
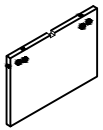
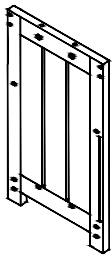
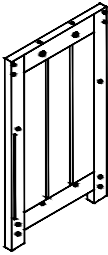
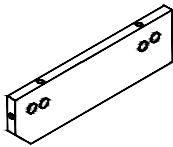
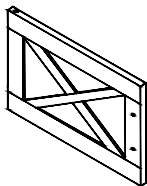
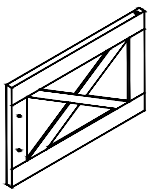





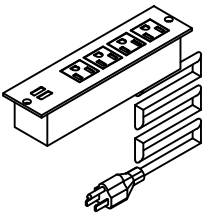






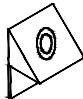





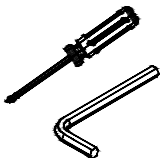
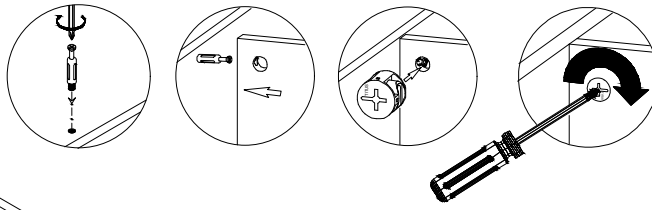




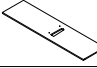
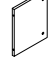
IMPORTANT, RETAIN FOR FUTURE REFERENCE: READ CAREFULLY

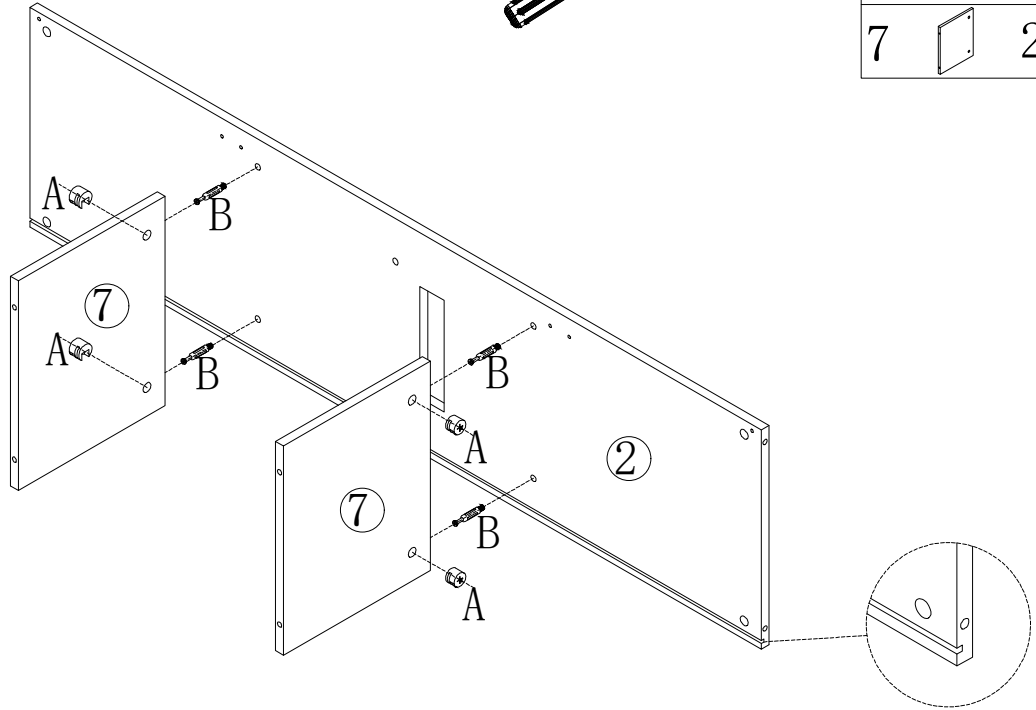


| | | | | | | | |
|--|---|---|---|--|--|---|---|
| <p>1</p>  <p>1PCS</p> | <p>2</p>  <p>1PCS</p> | <p>3</p>  <p>1PCS</p> | <p>4</p>  <p>1PCS</p> | | | | |
| <p>5</p>  <p>2PCS</p> | <p>6</p>  <p>2PCS</p> | <p>7</p>  <p>2PCS</p> | <p>8</p>  <p>1PCS</p> | | | | |
| <p>9</p>  <p>1PCS</p> | <p>10</p>  <p>1PCS</p> | <p>11</p>  <p>1PCS</p> | <p>12</p>  <p>1PCS</p> | <p>13</p>  <p>1PCS</p> | | | |
| <p>A</p>  <p>32PCS</p> | <p>B</p>  <p>32PCS</p> | <p>C</p>  <p>M3.5*14</p> <p>32PCS</p> | <p>D</p>  <p>M7*38</p> <p>6PCS</p> | <p>E</p>  <p>M7*48</p> <p>8PCS</p> | <p>F</p>  <p>1PCS</p> | <p>G</p>  <p>4PCS</p> | |
| <p>H</p> <p>H1</p>  <p>H2</p>  <p>2PCS</p> | <p>I</p>  <p>4PCS</p> | <p>J</p> <p>J1</p>  <p>2PCS</p> <p>J2</p>  <p>M4*20</p> <p>4PCS</p> | <p>K</p>  <p>6PCS</p> | <p>L</p>  <p>8PCS</p> | <p>M</p>  <p>8PCS</p> | <p>N</p>  <p>O</p>  <p>x6</p>  <p>x6</p> |  |


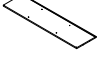
STEP 1

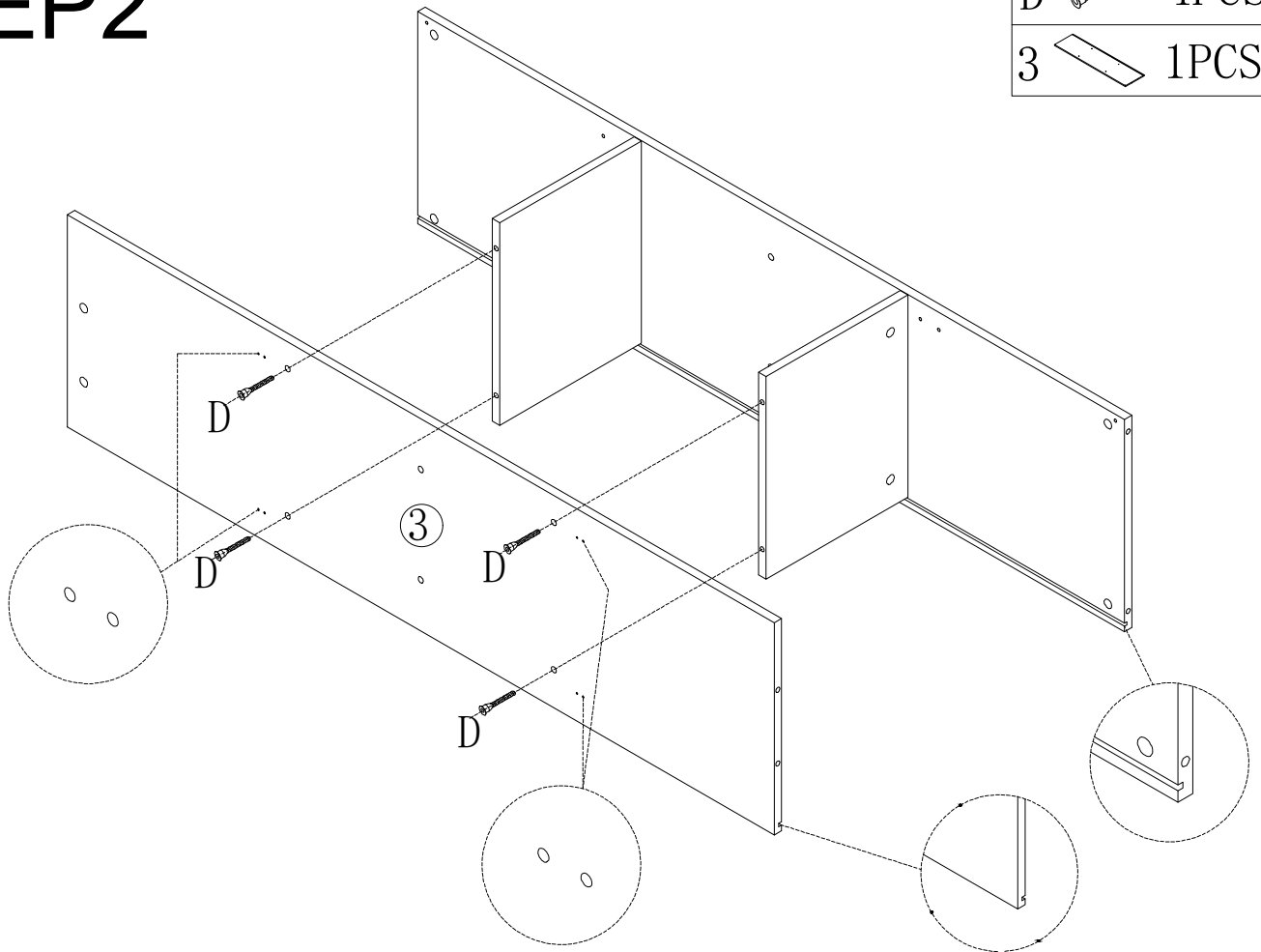


| | | |
|---|---|------|
| A |  | 4PCS |
| B |  | 4PCS |
| 2 |  | 1PCS |
| 7 |  | 2PCS |



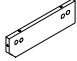


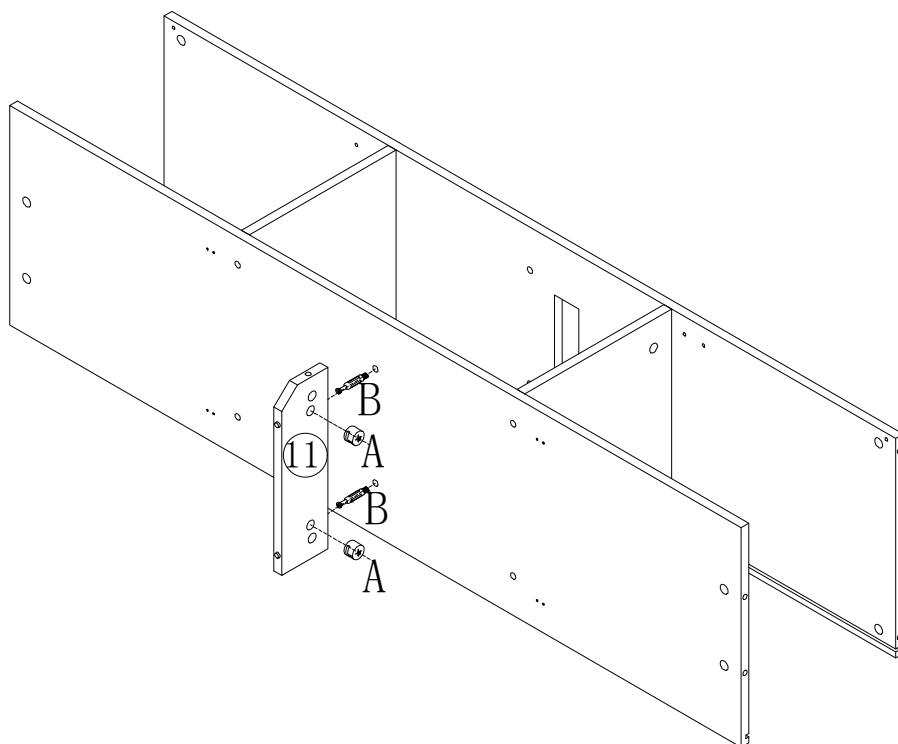
STEP 2

| | | |
|---|---|------|
| D |  | 4PCS |
| 3 |  | 1PCS |






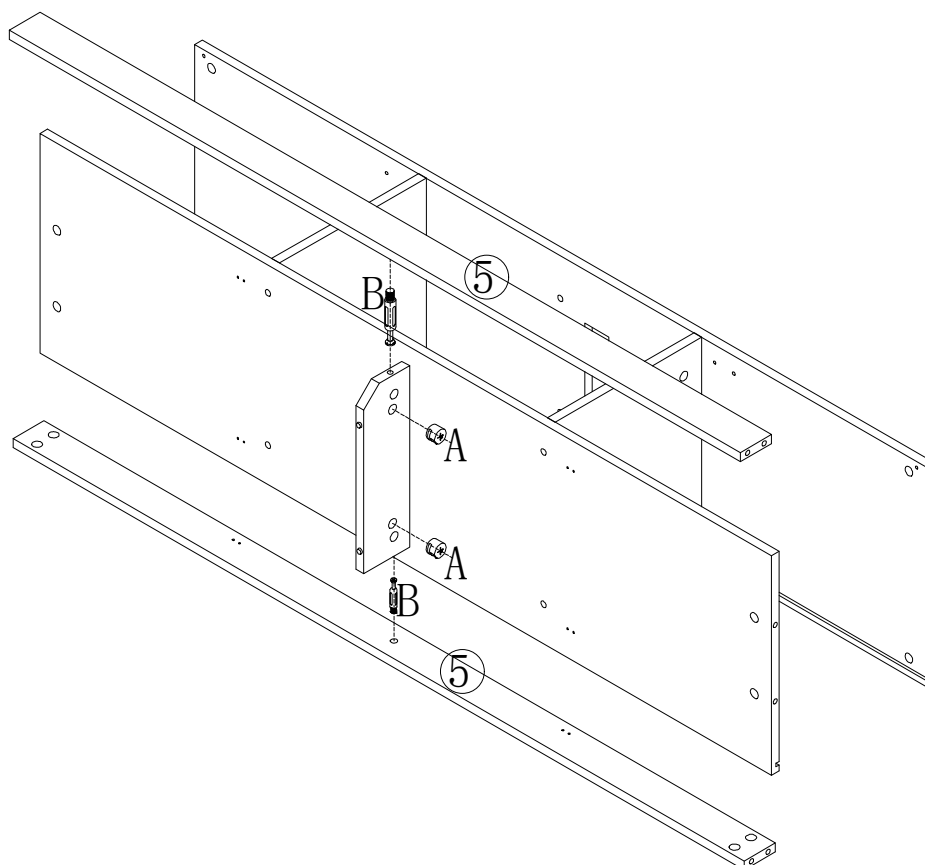
STEP3

| | | |
|----|---|------|
| A |  | 2PCS |
| B |  | 2PCS |
| 11 |  | 1PCS |





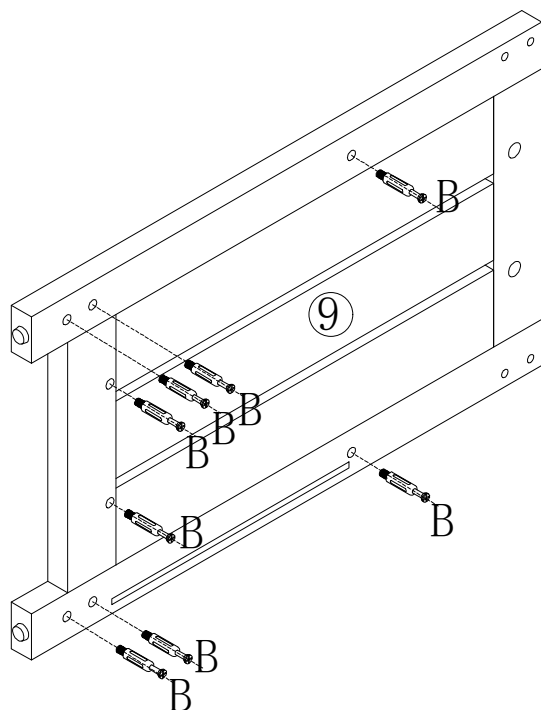
STEP4

| | | |
|---|---|------|
| A |  | 2PCS |
| B |  | 2PCS |
| 5 |  | 2PCS |



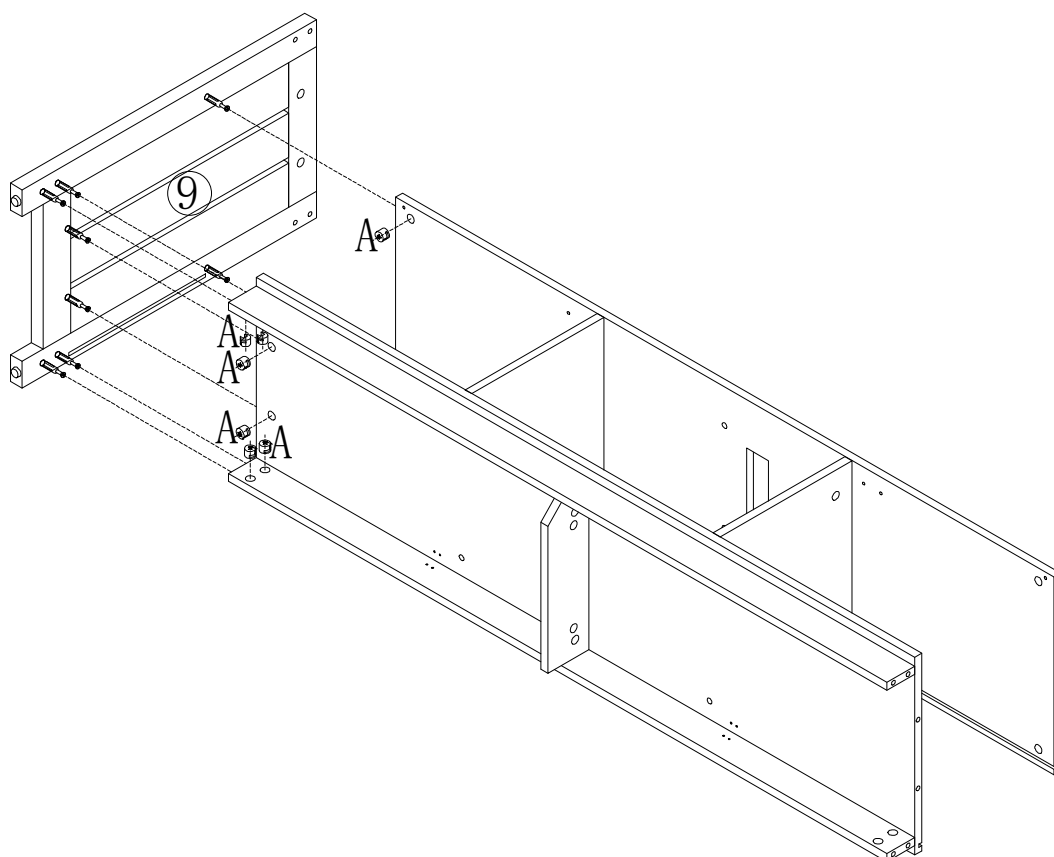
STEP5

| | | |
|---|---|------|
| B |  | 8PCS |
| 9 |  | 1PCS |

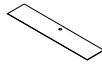


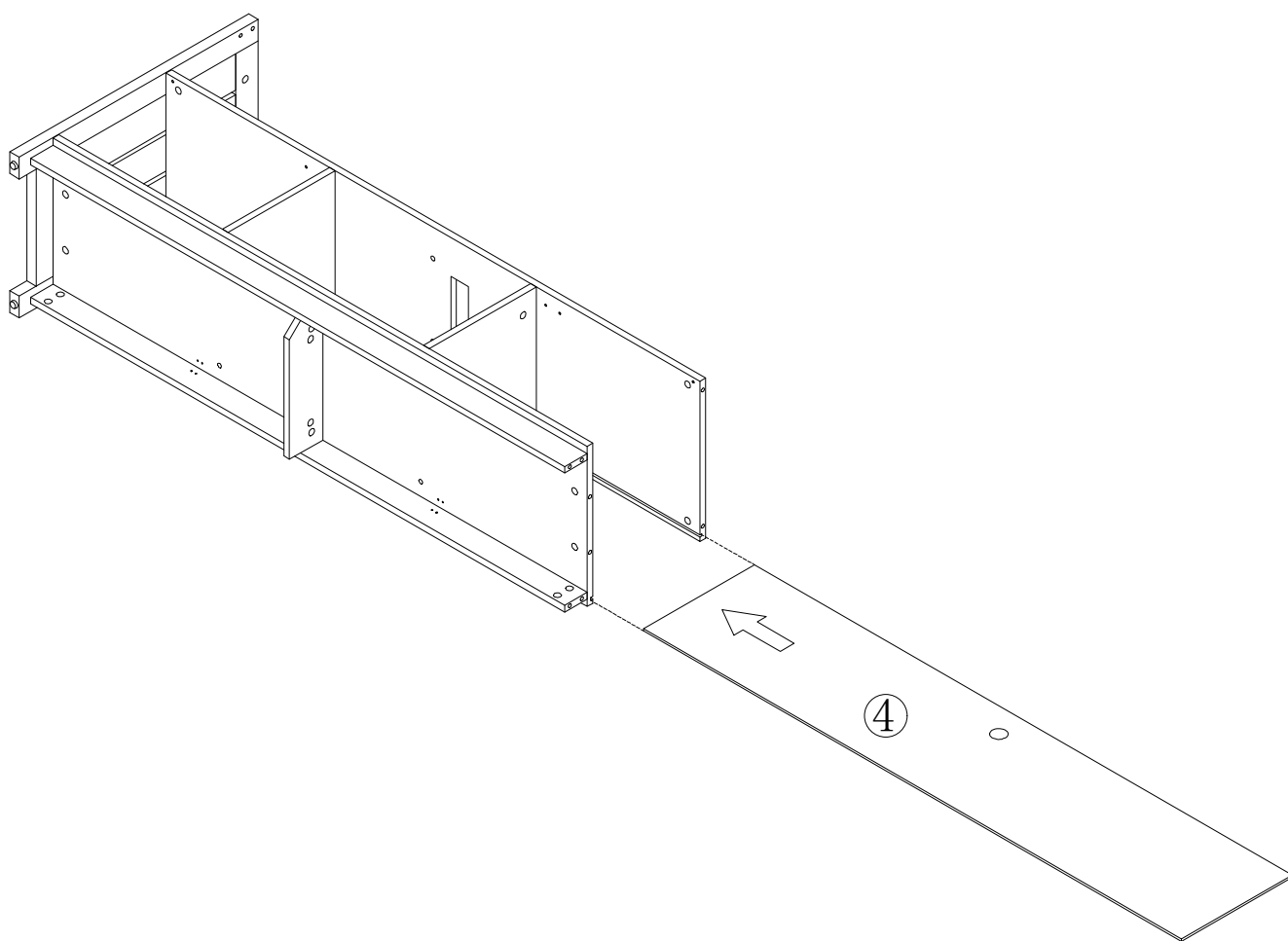
STEP6

| | | |
|---|---|------|
| A |  | 8PCS |
|---|---|------|





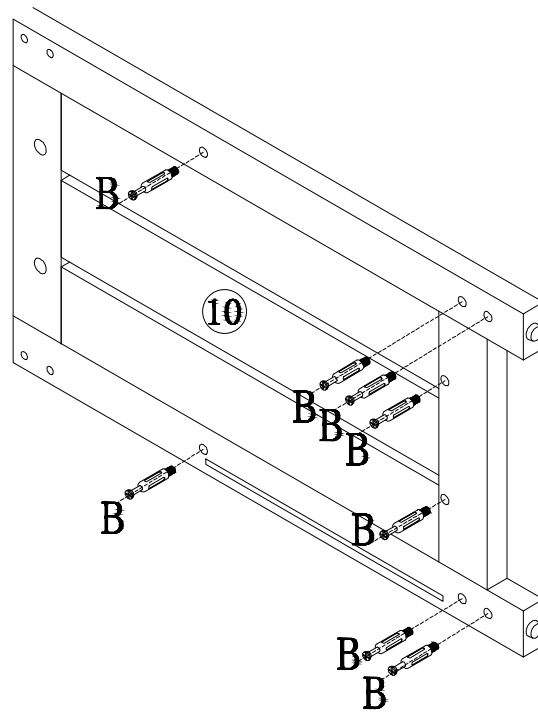
STEP 7

4  1PCS



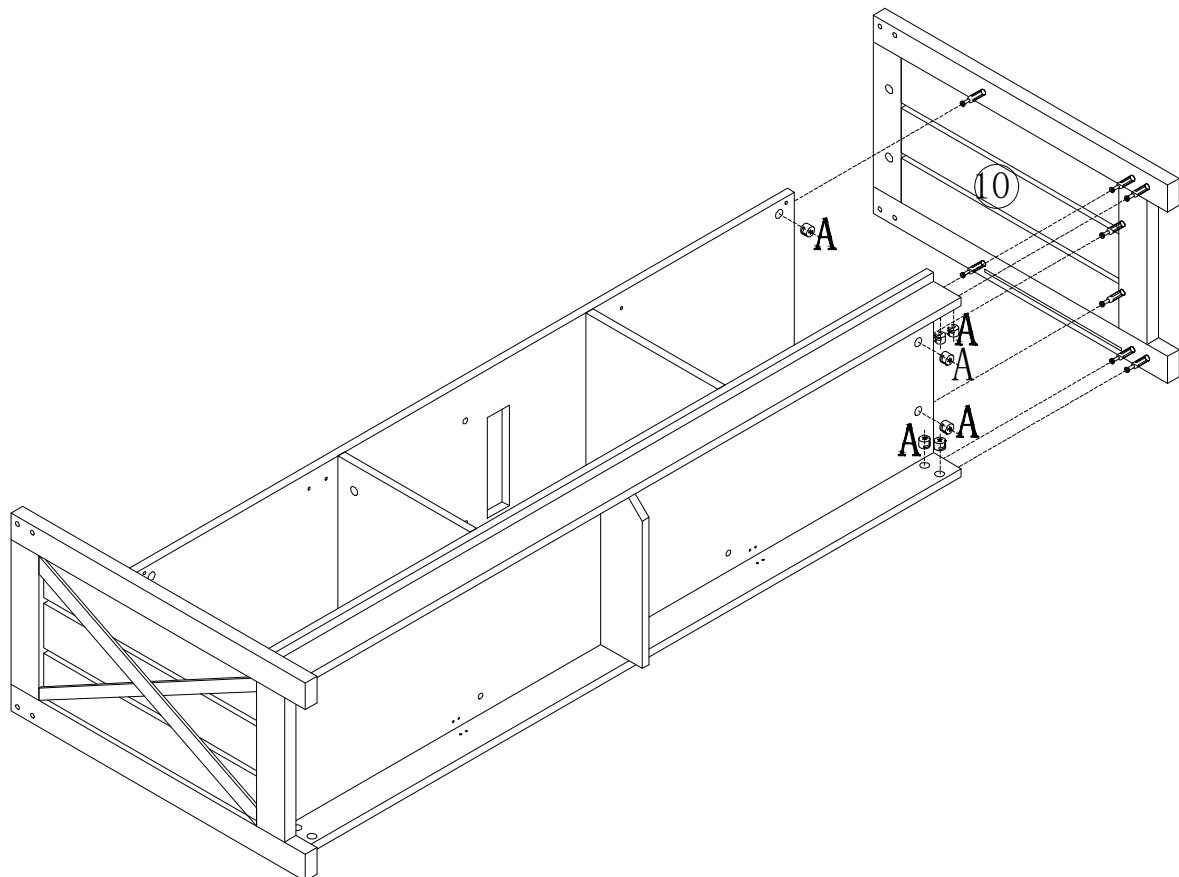
STEP8

| | | |
|----|---|------|
| B |  | 8PCS |
| 10 |  | 1PCS |

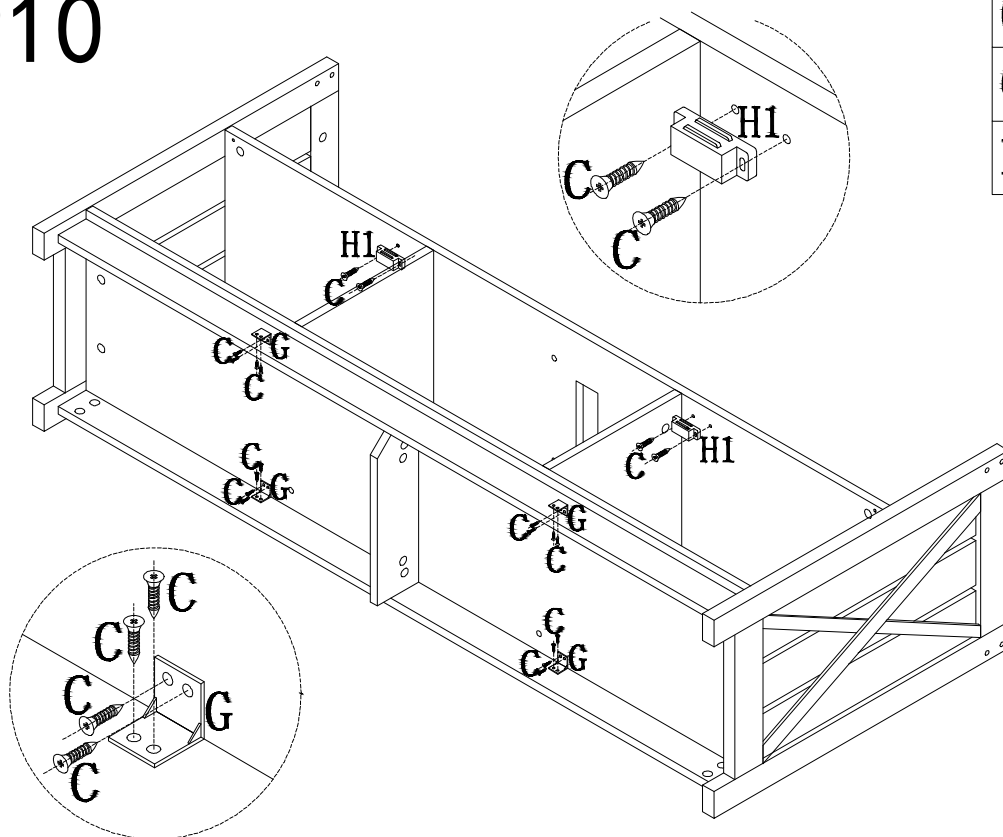



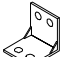
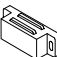
STEP9

| | | |
|---|---|------|
| A |  | 8PCS |
|---|---|------|

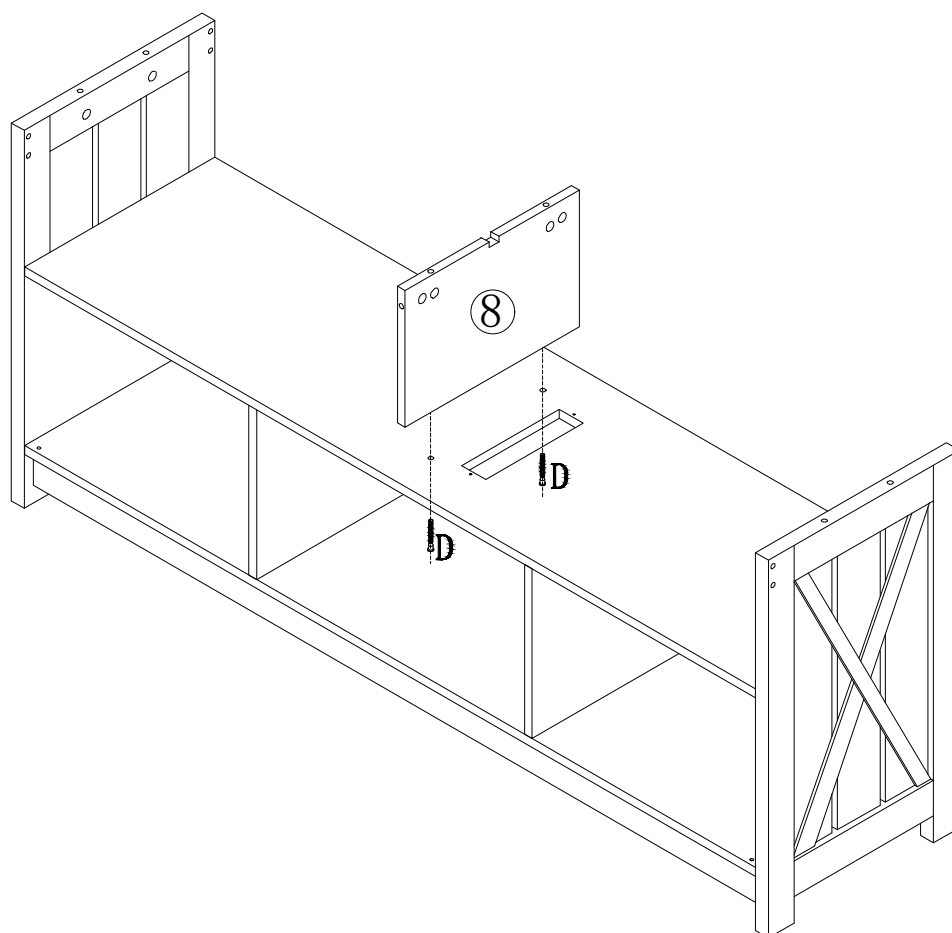




STEP10




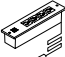
| | | |
|----|---|-------|
| C |  | 20PCS |
| G |  | 4PCS |
| H1 |  | 2PCS |

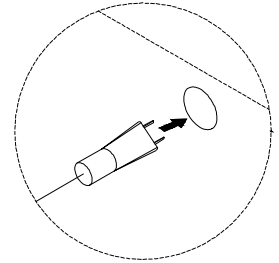
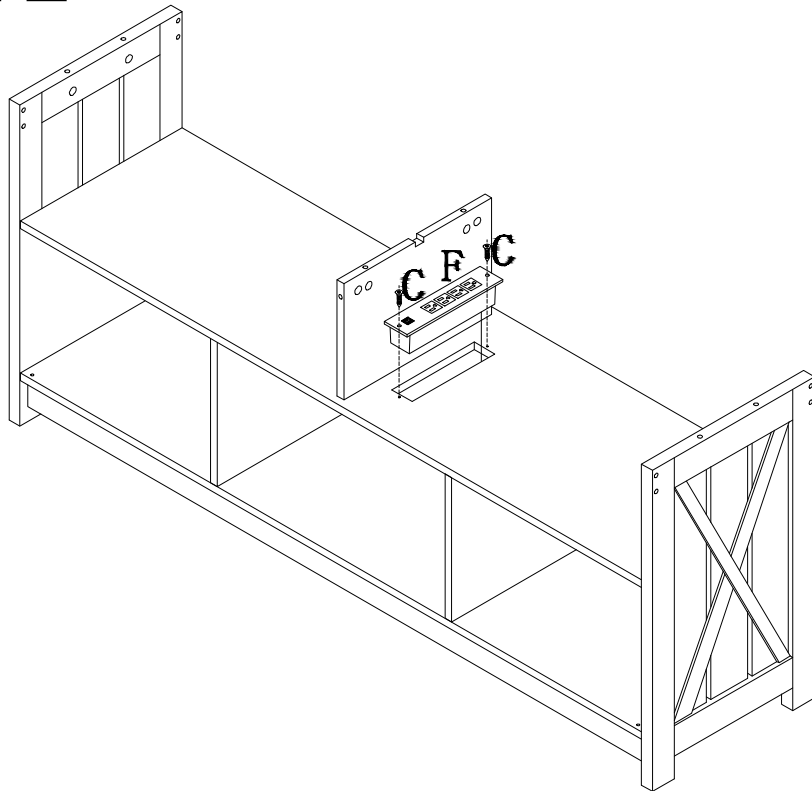
STEP11






| | | |
|---|---|------|
| D |  | 2PCS |
| 8 |  | 1PCS |

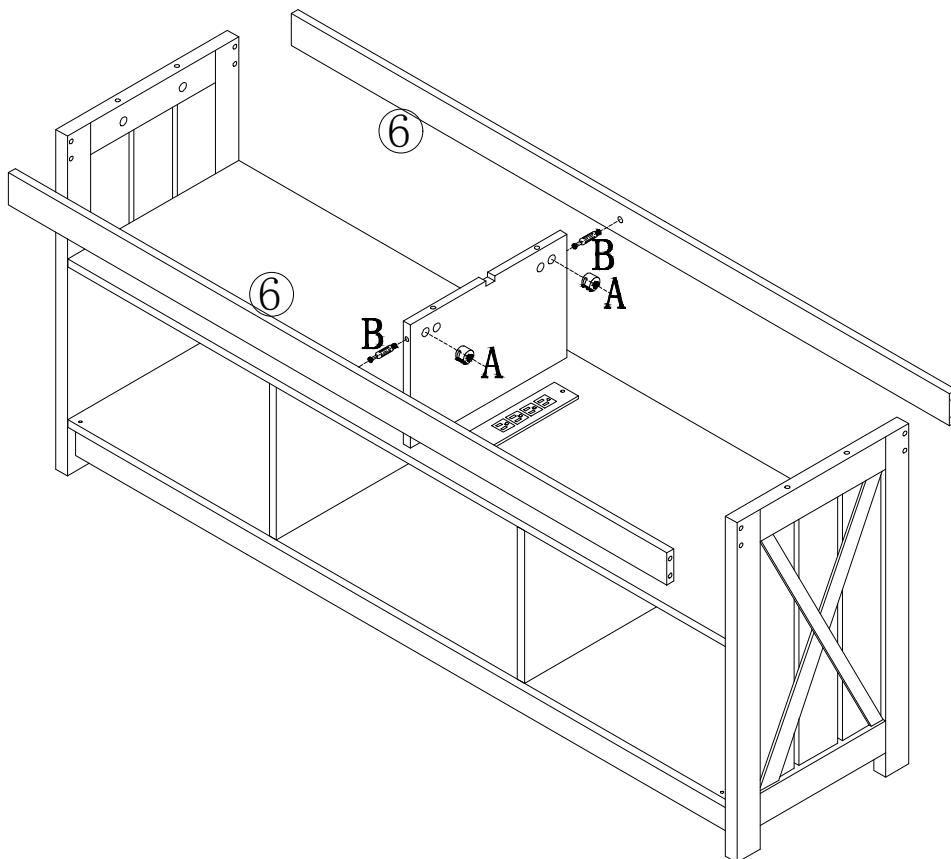
STEP12

| | | |
|---|---|------|
| C |  | 2PCS |
| F |  | 1PCS |



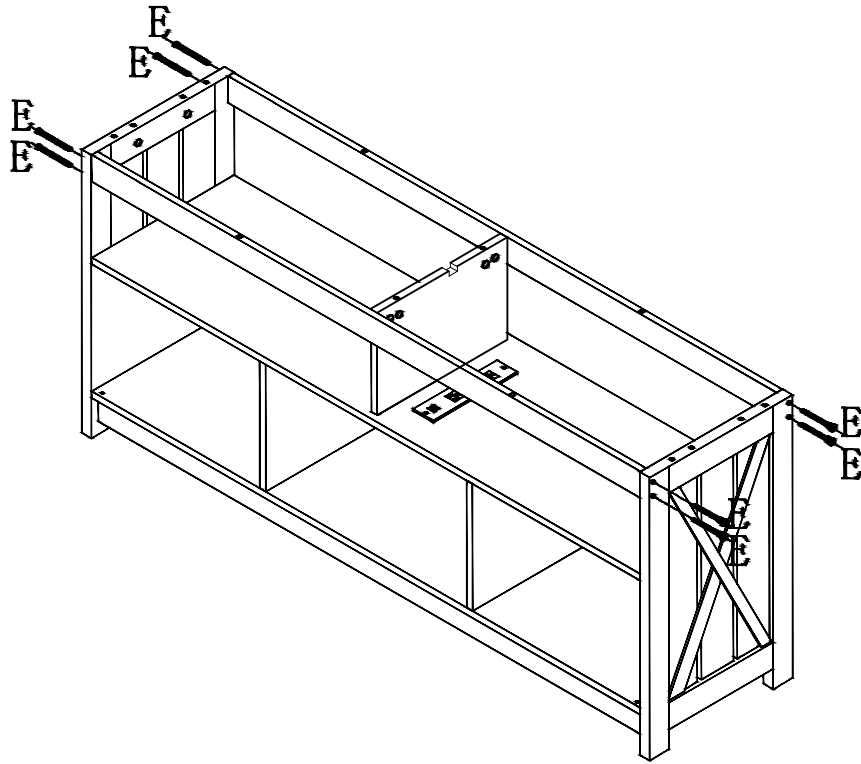
STEP13

| | | |
|---|---|------|
| A |  | 2PCS |
| B |  | 2PCS |
| 6 |  | 2PCS |





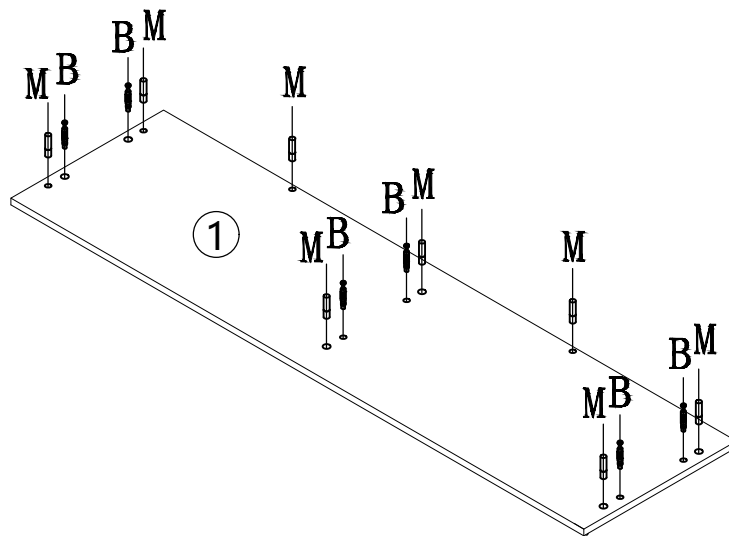
STEP14

E  8PCS





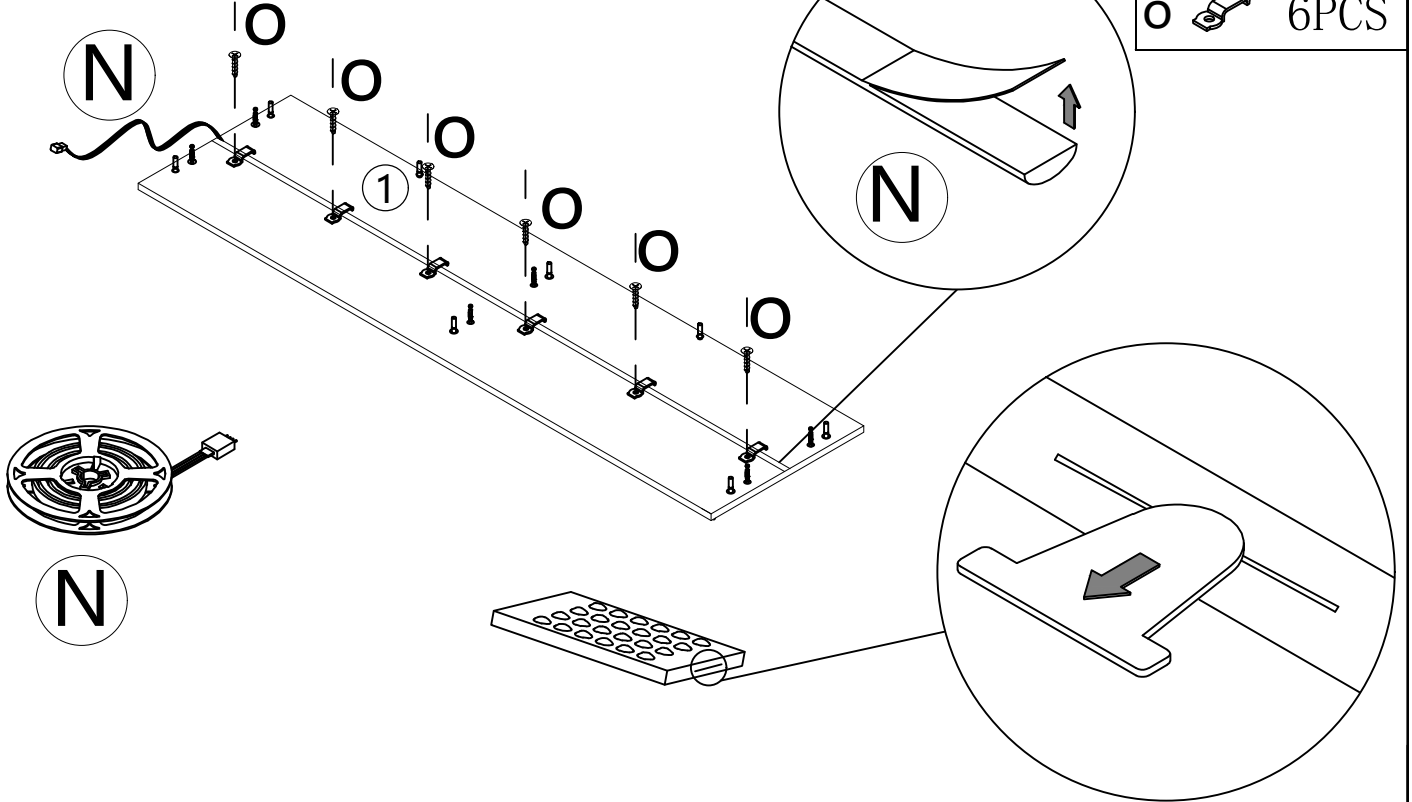
STEP15

B  6PCS
M  8PCS




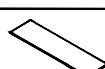


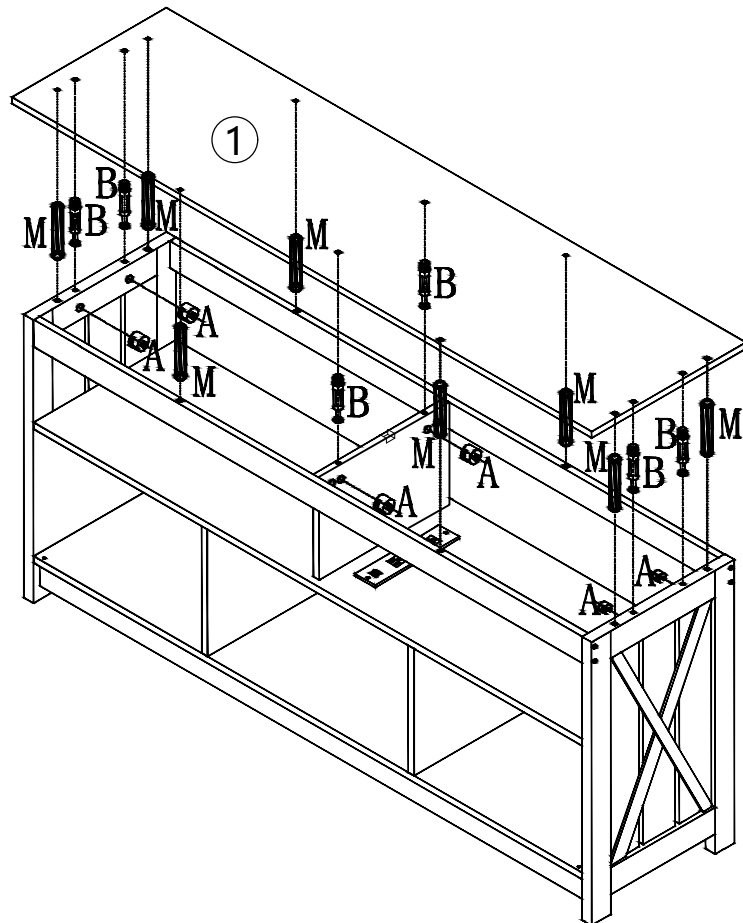
STEP16

- | | | |
|---|---|------|
| C |  | 6PCS |
| O |  | 6PCS |










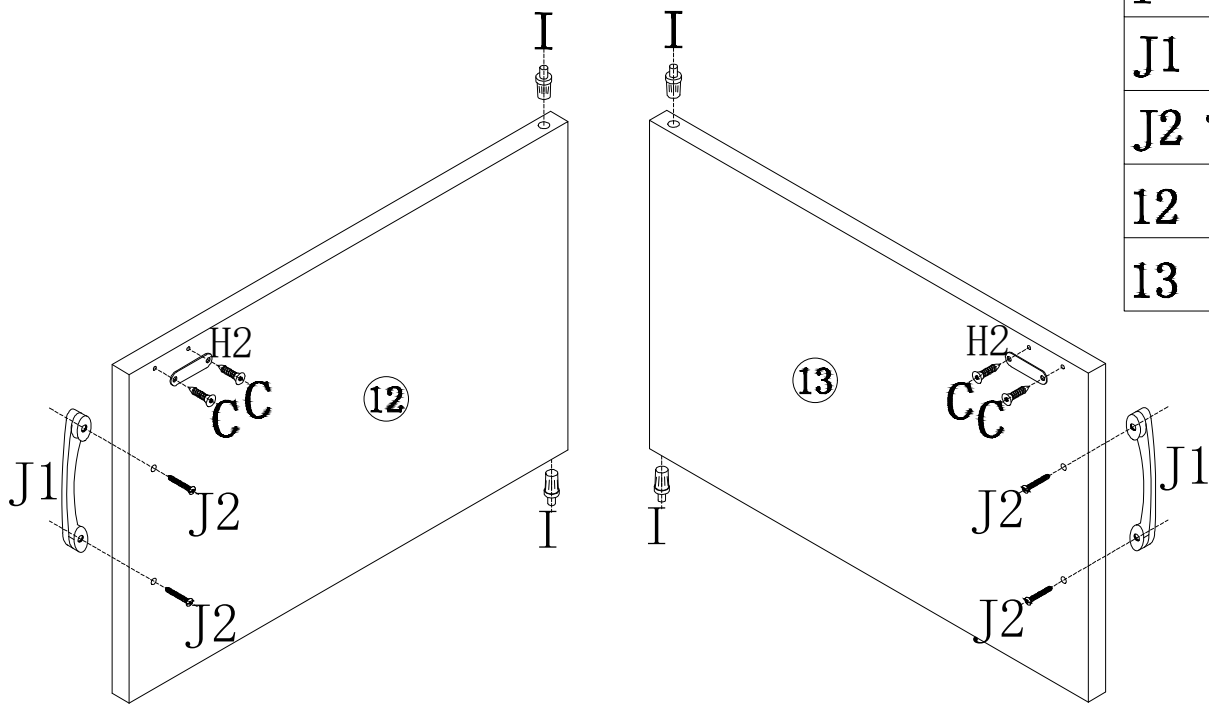
STEP17

- | | | |
|---|---|------|
| A |  | 6PCS |
| B |  | 6PCS |
| M |  | 8PCS |
| I |  | 1PCS |

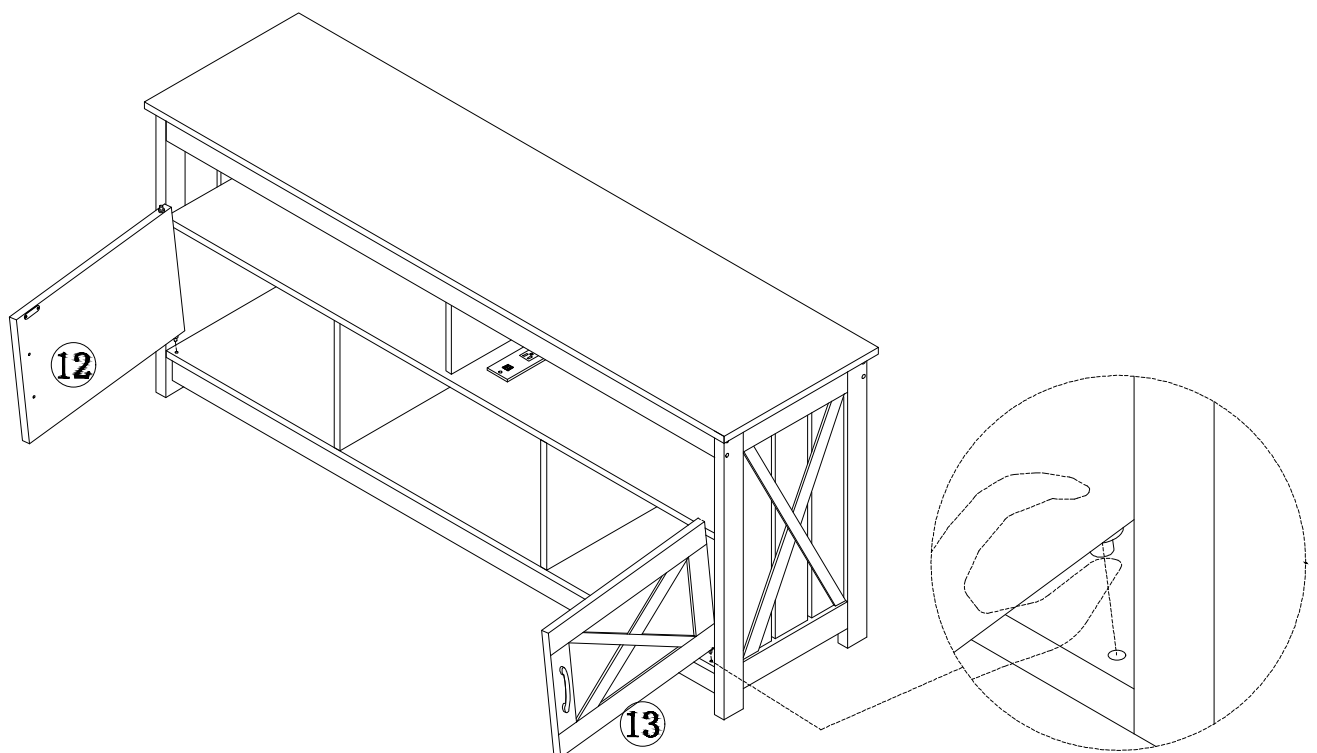


STEP18

| | | |
|----|---|------|
| C |  | 4PCS |
| H2 |  | 2PCS |
| I |  | 4PCS |
| J1 |  | 2PCS |
| J2 |  | 4PCS |
| 12 |  | 1PCS |
| 13 |  | 1PCS |



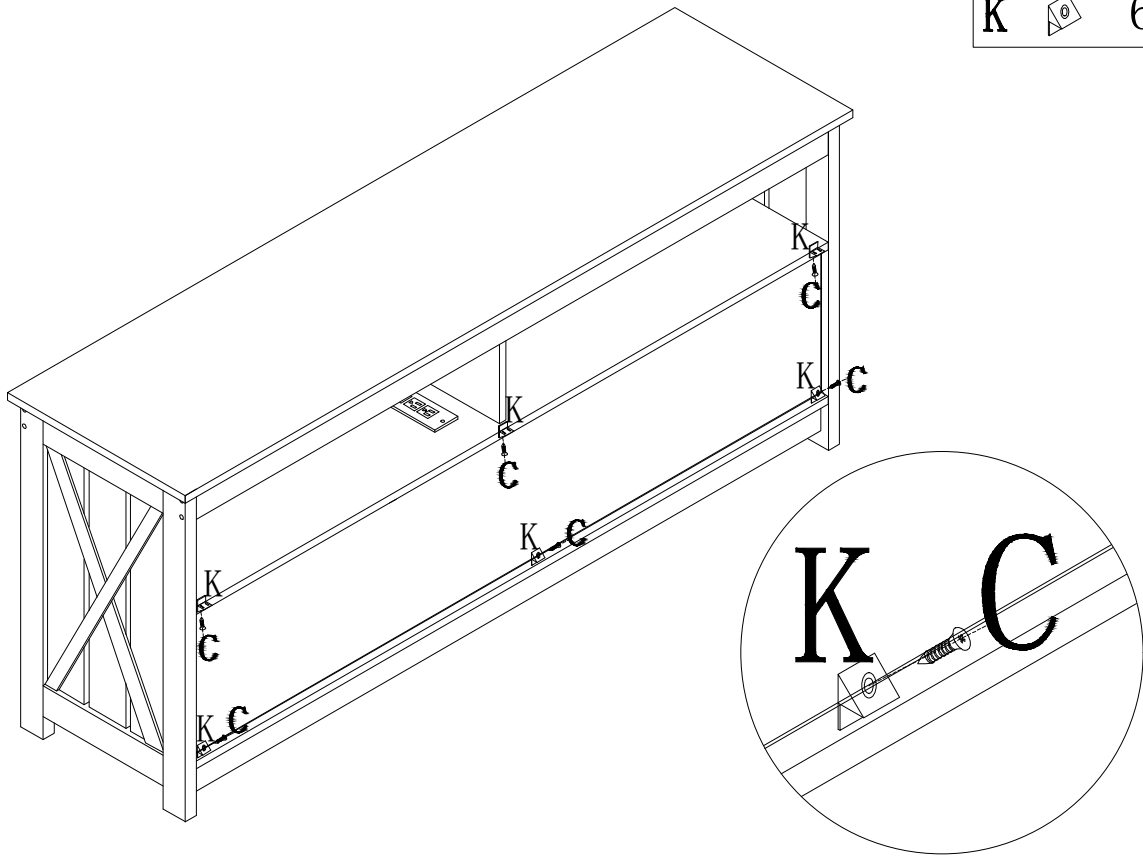
STEP19




STEP20

C  6PCS

K  6PCS



STEP21

L  8PCS

