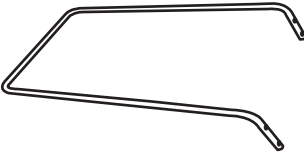

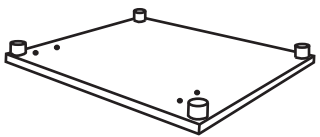

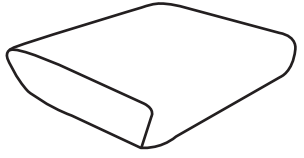
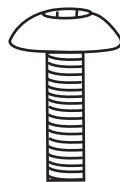



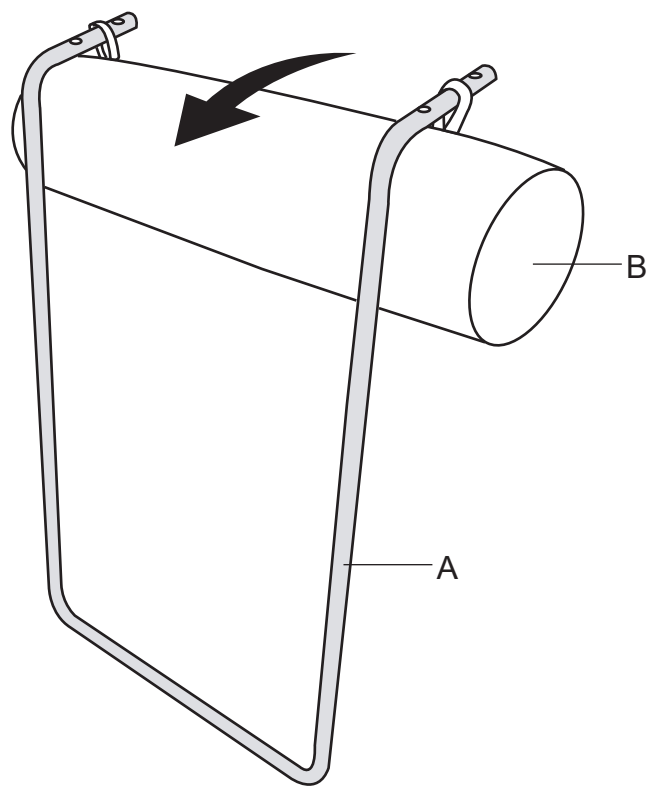
**PARTS:**

<p><b>A*1</b></p> 	<p><b>B*1</b></p> 
<p><b>C*1</b></p> 	<p><b>D*1</b></p> 
<p><b>E*1</b></p> 	

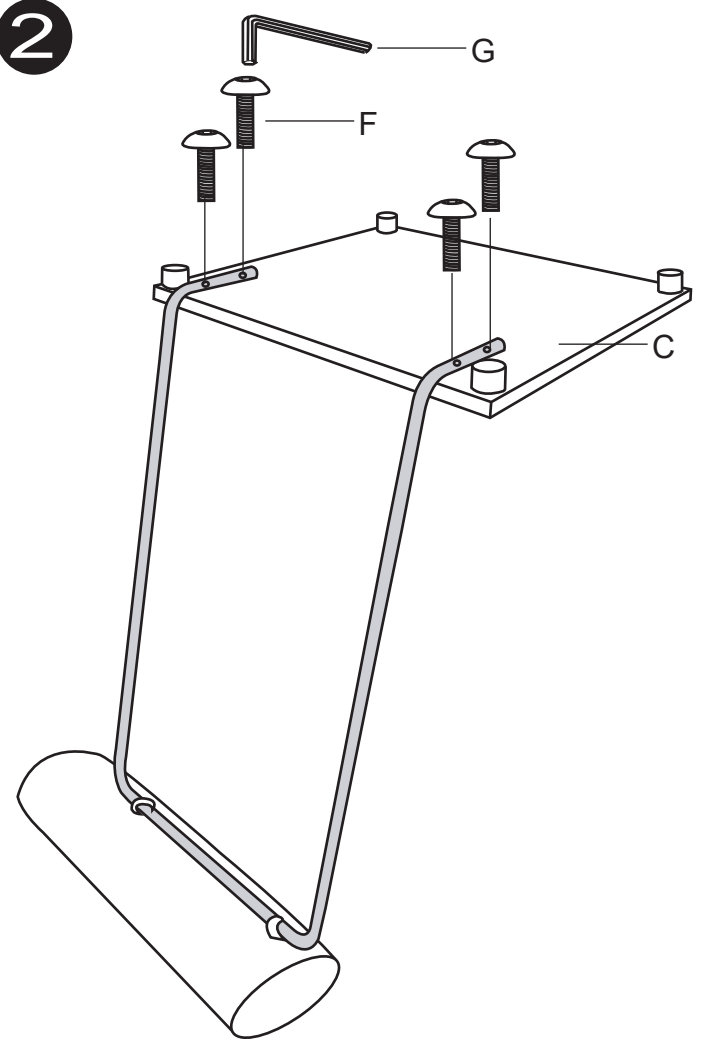
**HARDWARE:**

<p><b>F*4</b></p>  <p><b>M6*35MM</b></p>	<p><b>G*1</b></p>  <p><b>M6</b></p>
--	--

1

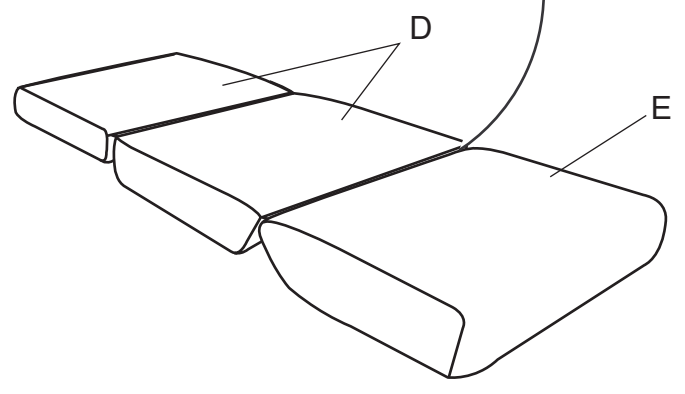
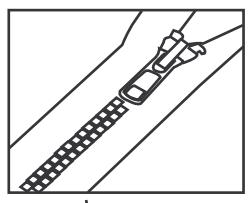


2



3

Connect D and E together with a zipper as below



4

Take out the backpack and seat bag, and pat all four corners with your hand.

