
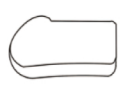
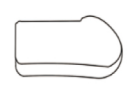




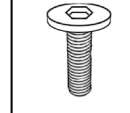

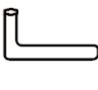
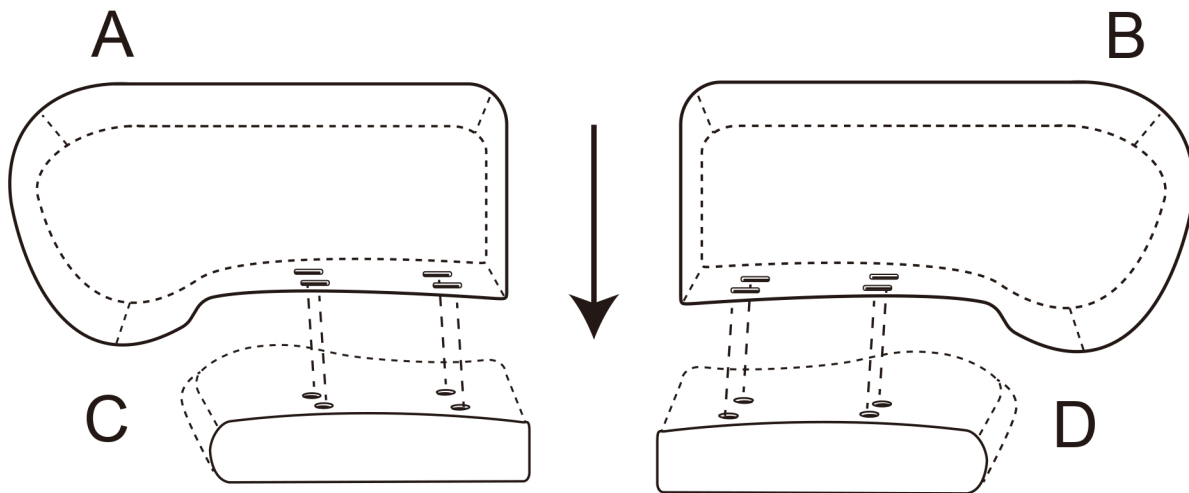


# SF-MC280 Assembly Instruction

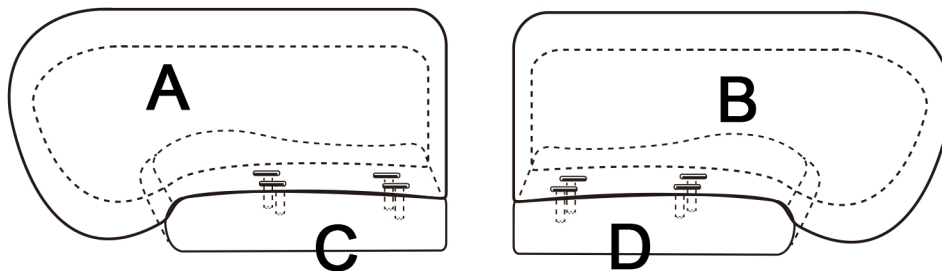
***	A*1	B*1	C*1	D*1	E*2	F*8	G*8	H*8	I*1
									
2 Persons needed	Right Seat	Right Seat	Left Backrest	Right Backrest	Pillows	Washer	Screw M8*70	Sofa Legs	Wrench

**Step 1** Warm Warning: Before assembling the sofa, please thoroughly inspect the work area clean and remove any small debris to prevent damage and dirty on the product surface



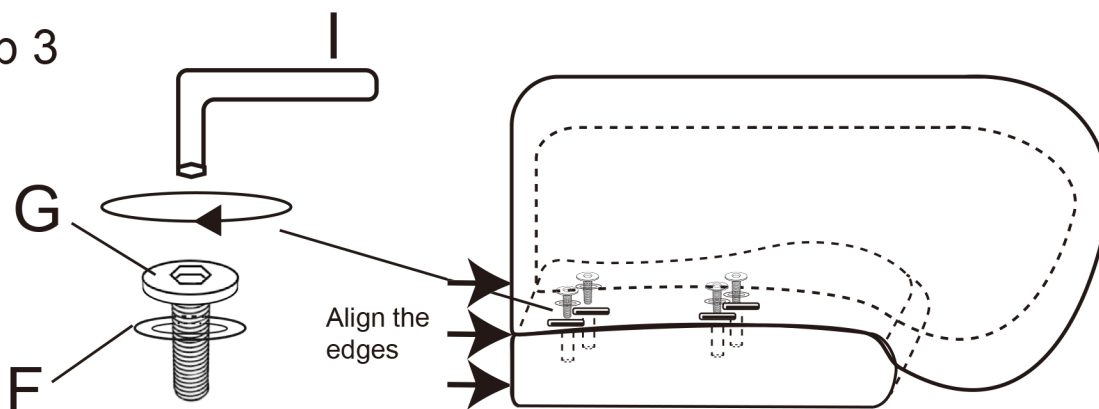
Pls lay the backrest C/D flat and lift the seats A/B

**Step 2**



Align the holes on the seats A/B with the holes on the backrests C/D and then lower it down.

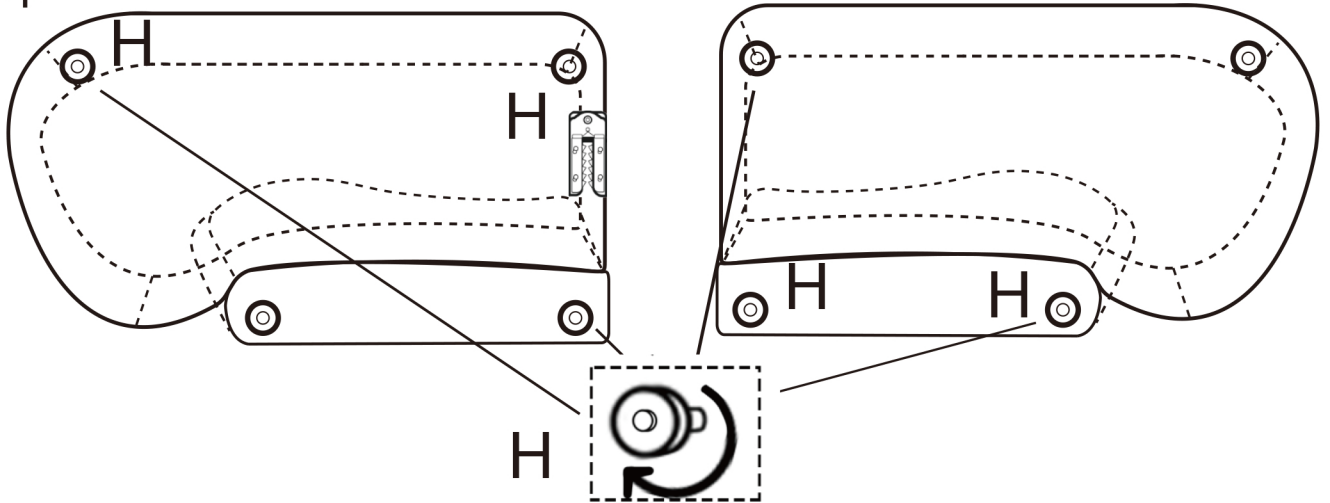
**Step 3**



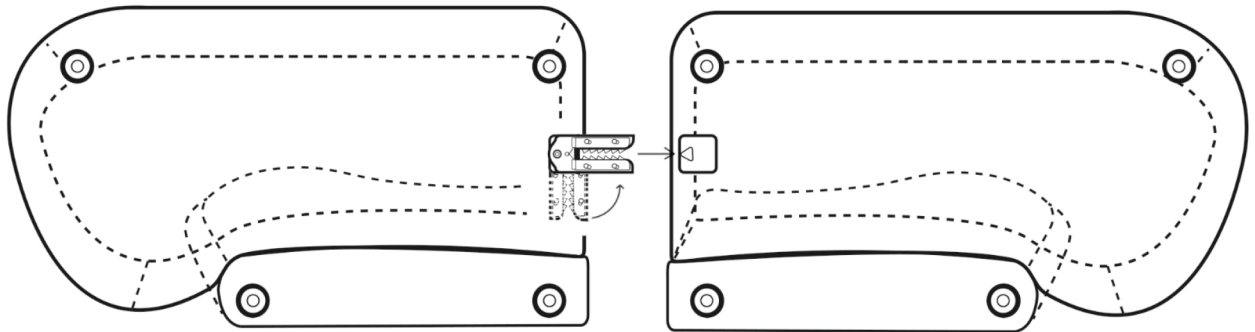
Pls move the seats to ensure the side edges of seats and backrest aligned and then tighten the screws completely together

# SF-MC280 Assembly Instruction

Step 4

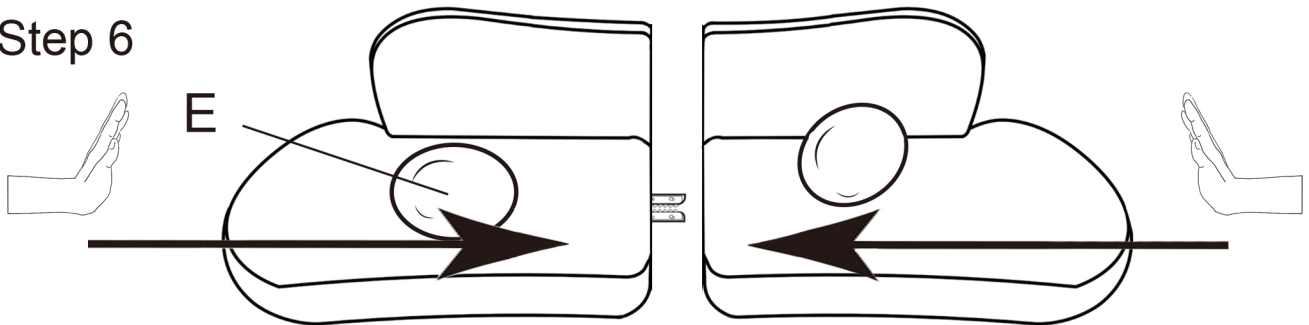


Step 5



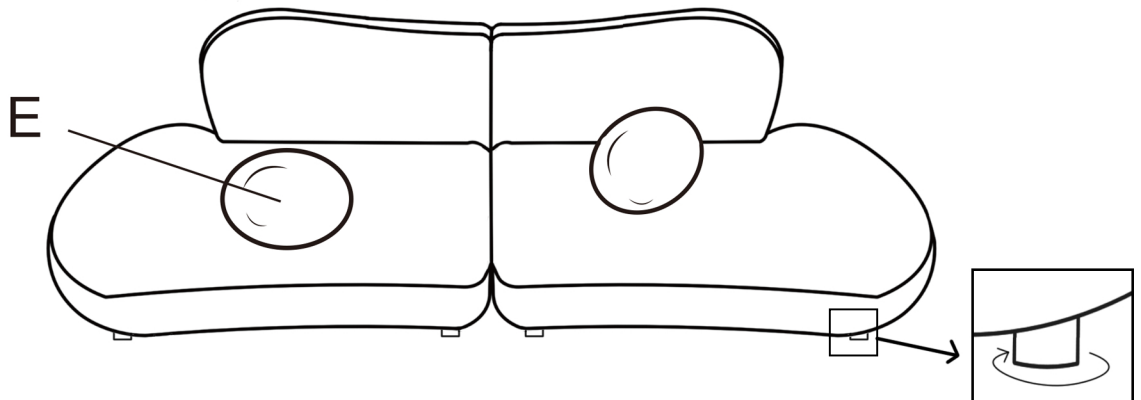
Open the clip connector and rotate it 90 degrees.

Step 6



Flip the sofa upright with its feet on the ground and align the clip connector pieces, then push and lock them together.

Step 7



Please adjust the heights of all adjustable legs to ensure that the sofa is on the same horizon whether placed on the floor or on the carpet when put into use.