

TOPZERO®

LYON TZ RS787

Seamless Edge Stainless Steel Sink

GENERAL

Fine quality sink bowls formed of 16 gauge BA 304 18/10 nickel bearing stainless steel.

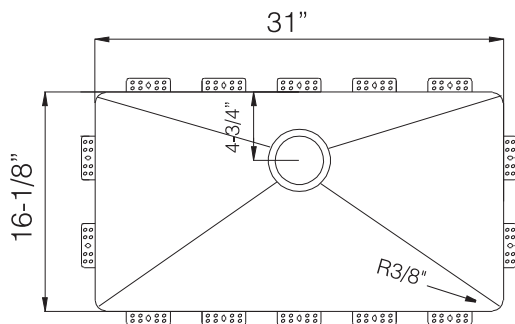
DESIGN FEATURES

Bowl Depth : 10"
Finish : Soft Satin Finish
Underside : Sound absorbing pads and special paint
Drain Opening : 3-1/2"

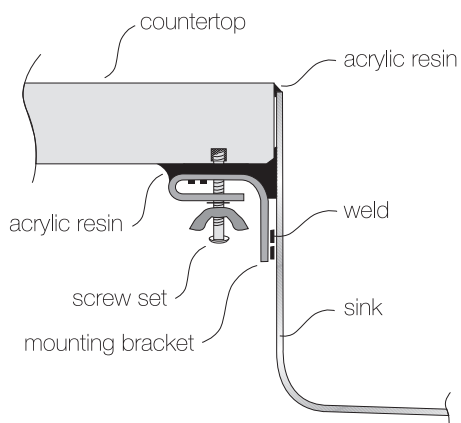
OPTIONAL ACCESSORIES

Stainless Steel Bottom Grid GRS 787
Wood Cutting Board CBS 90
Glass Cutting Board G 21.40
Stainless Steel Colander CL 406
Stainless Steel Drying Rack DR 455

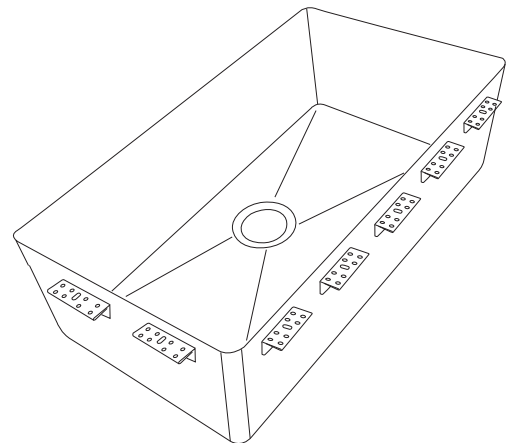
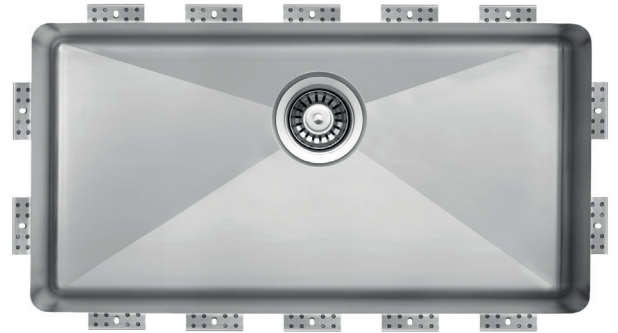
SINK DIMENSIONS (INCHES)



INSTALLATION PROFILE *



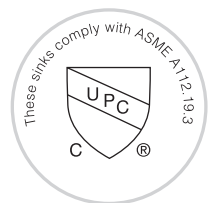
SPECIFICATIONS



"U.S. and Foreign Patents Pending"



Recommended Cabinet Size 36"



Watch the TopZero Sink
Installation video on [YouTube](#)

follow / like us @ [f](#) [t](#) [YouTube](#) [p](#) [i](#) [houzz](#)