

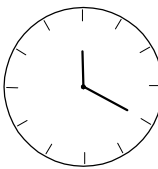
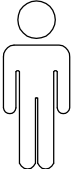


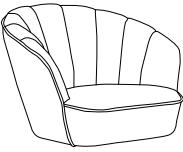
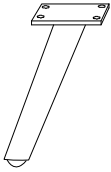
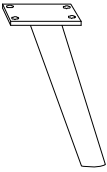
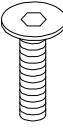

Assembly instructions for the chair, including safety warnings, estimated time, and person count.

Warning 1: Do not use a power drill. Use an Allen key (shown in a circle) to tighten the screws. 

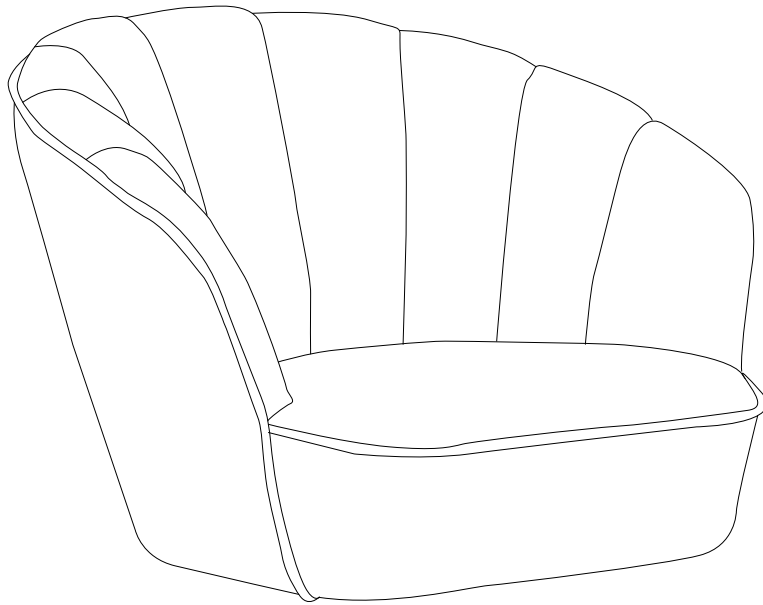
Warning 2: Do not use a power drill to tighten the seat. Use a screwdriver (shown in a circle) to tighten the screws. 

Estimated Time: 20' 

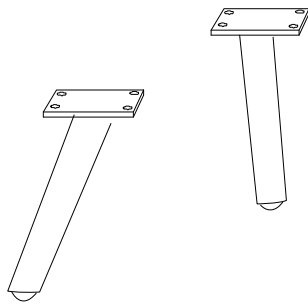
Person Count: 1 

A	B	C	D	E
			 M6 x 20	
x 1	x 2	x 2	x 16	x 1

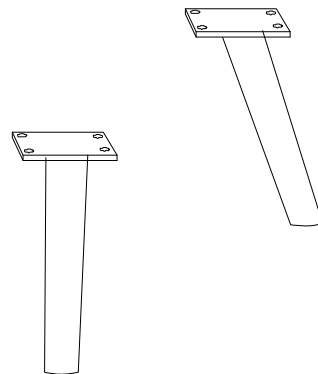
A



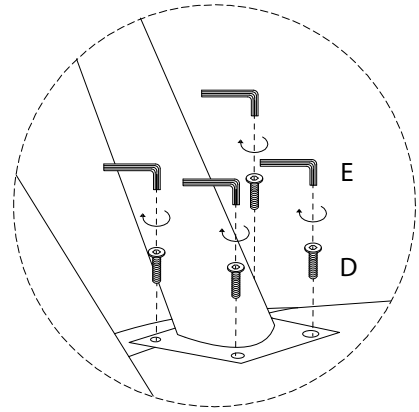
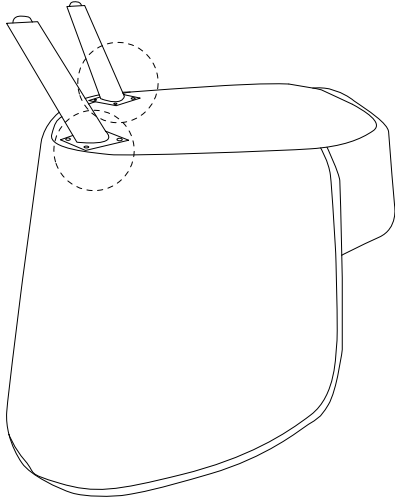
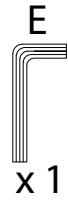
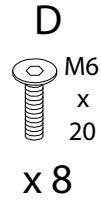
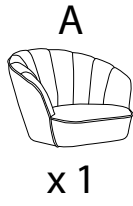
B x 2



C x 2



1



2

