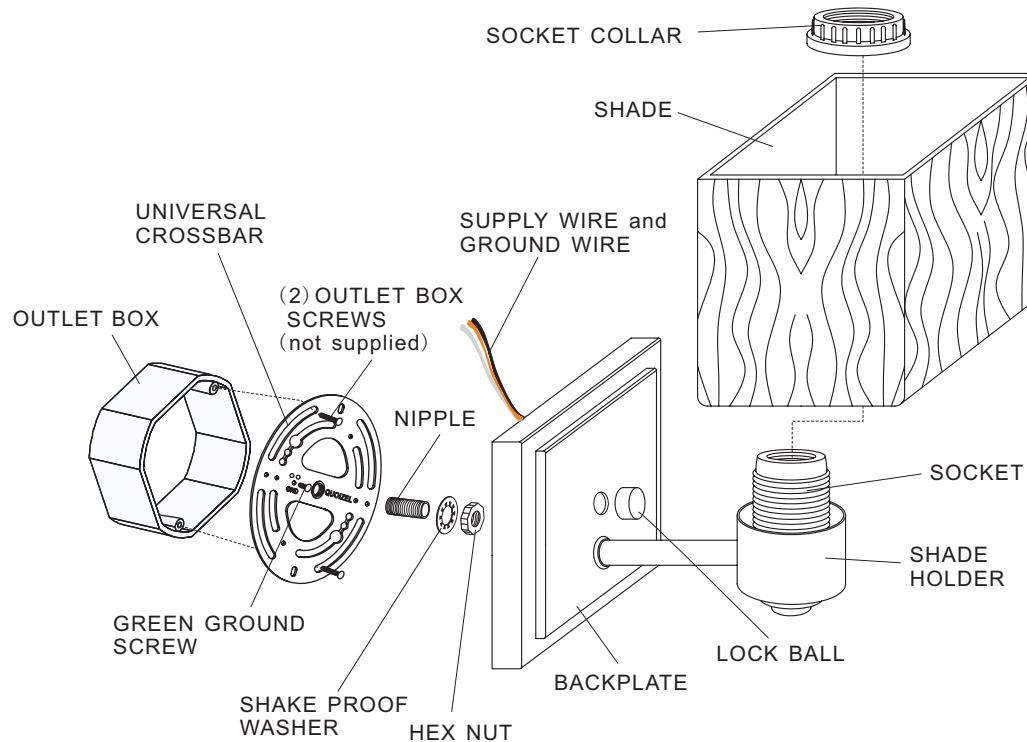


## **INSTALLATION INSTRUCTION**

**FIGURE 1**



1. Before beginning the installation, carefully unpack and identify all parts, referring to the illustration FIGURE 1.
2. Turn the electrical power to the installation point OFF at circuit breaker.
3. Fasten the UNIVERSAL CROSSBAR to the OUTLET BOX, using (2) OUTLET BOX SCREWS (not supplied). Thread one end of NIPPLE into mounting hole on the center of UNIVERSAL CROSSBAR. Proceed to position SHAKE PROOF WASHER and HEX NUT onto NIPPLE. Snug HEX NUT against CROSSBAR with pliers to secure.
4. ***Make the wiring connections***  
Using wire connectors (not supplied) connect the HOUSE GROUND WIRE to FIXTURE GROUND WIRE; connect the HOUSE WHITE WIRE to the FIXTURE WHITE (or RIBBED) WIRES; connect the HOUSE BLACK (or RED) WIRE to the FIXTURE BLACK (or SMOOTH) WIRE. Make sure that there are no exposed wires or strands and wrap each connection with approved electrical tape.
5. Carefully tuck all wiring into the OUTLET BOX, and position the BACKPLATE over the NIPPLE on the CROSSBAR. Pass the CENTER HOLE on BACKPLATE over NIPPLE. Thread LOCK BALL onto NIPPLE and hand tighten until snug.
6. Position SOCKET through the hole on the bottom of SHADE. Secure SHADE by threading SOCKET COLLAR onto SOCKET. Hand tighten until snug.
7. Install bulb(s) referring to fixture markings and/or labels for maximum wattage.
8. Restore electrical power to the installation.

**IF IN DOUBT ABOUT ELECTRICAL INSTALLATION,  
CONSULT A LICENSED ELECTRICIAN!**