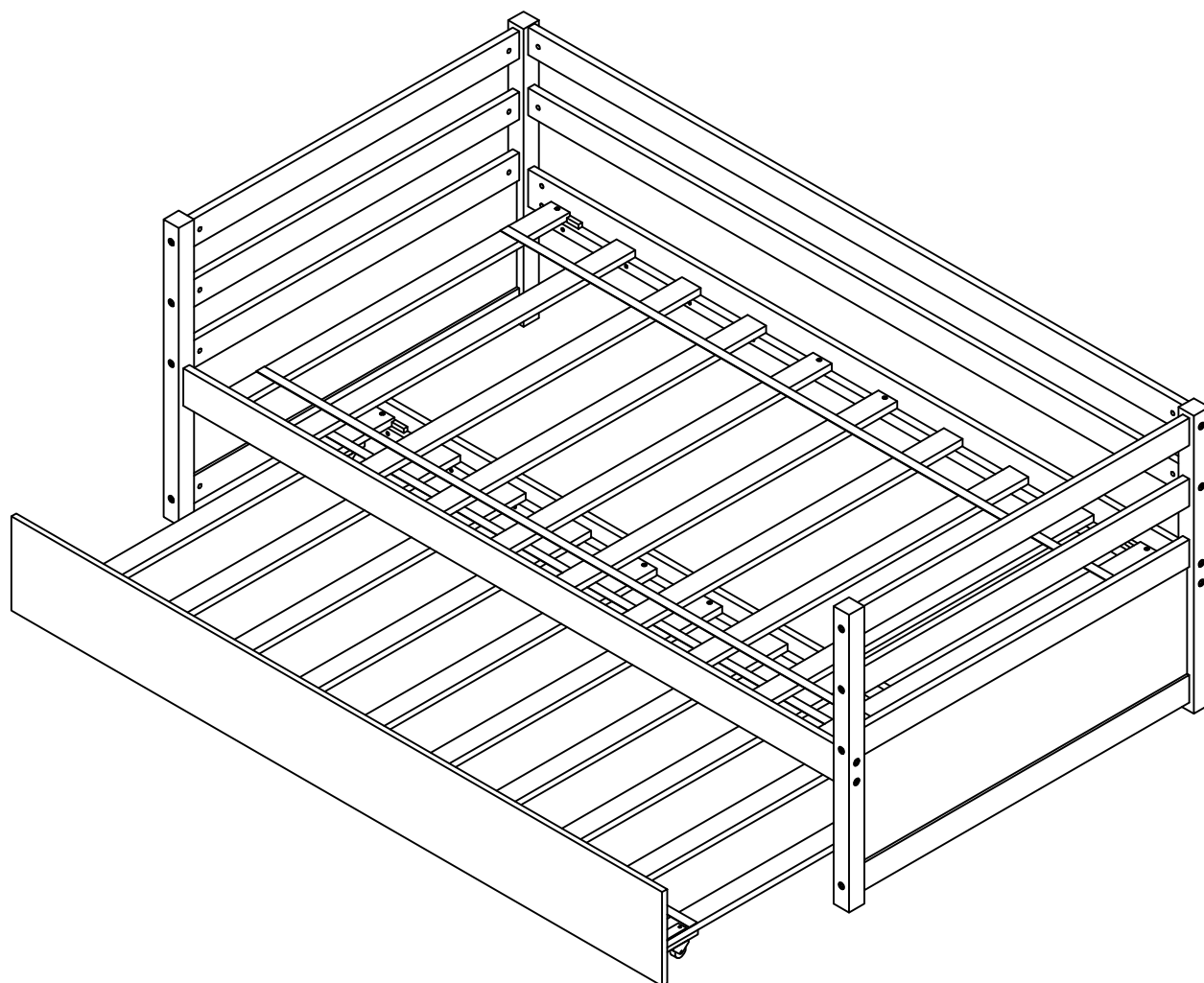
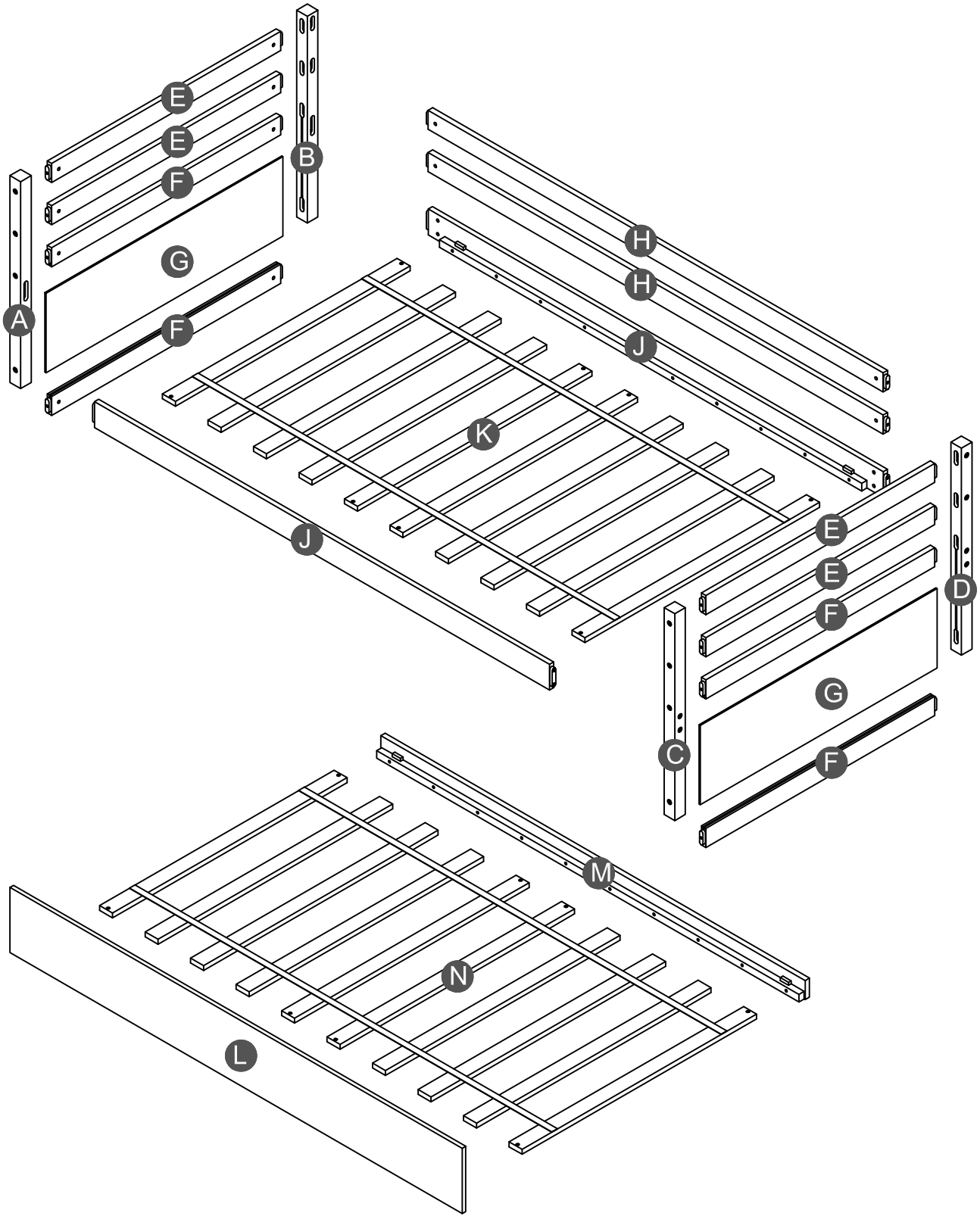


ASSEMBLY INSTRUCTIONS

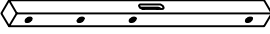
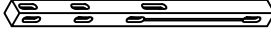
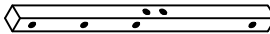
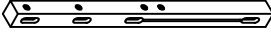
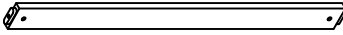


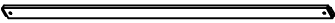

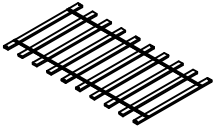
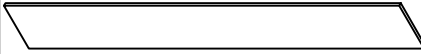

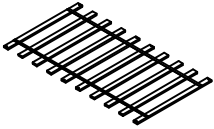
DAY BED



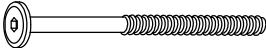
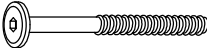

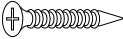
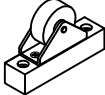

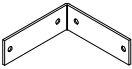

Detail View



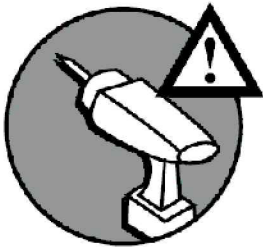
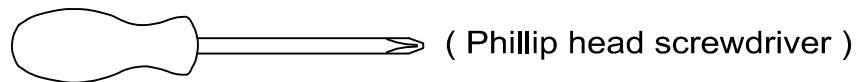
Part List

<p>A</p>  <p>Leg HB (Left)- 1pc</p>	<p>B</p>  <p>Leg HB (Right)- 1pc</p>	<p>C</p>  <p>Leg FB (Left)- 1pc</p>
<p>D</p>  <p>Leg FB (Right)- 1pc</p>	<p>E</p>  <p>Upper horizontal bars (HB&FB) - 4pcs</p>	<p>F</p>  <p>Lower horizontal bars (HB&FB)- 4pcs</p>
<p>G</p>  <p>Side panel (HB&FB) - 2pcs</p>	<p>H</p>  <p>Guard rail (back) - 2pcs</p>	<p>J</p>  <p>Side rail (front & back)- 2pcs</p>
<p>K</p>  <p>Slat - 1set - (10pcs)</p>	<p>L</p>  <p>Drawer front panel - 1pc</p>	<p>M</p>  <p>Drawer back panel - 1pc</p>
<p>N</p>  <p>Drawer Slat - 1set - (10pcs)</p>		

Hardware List

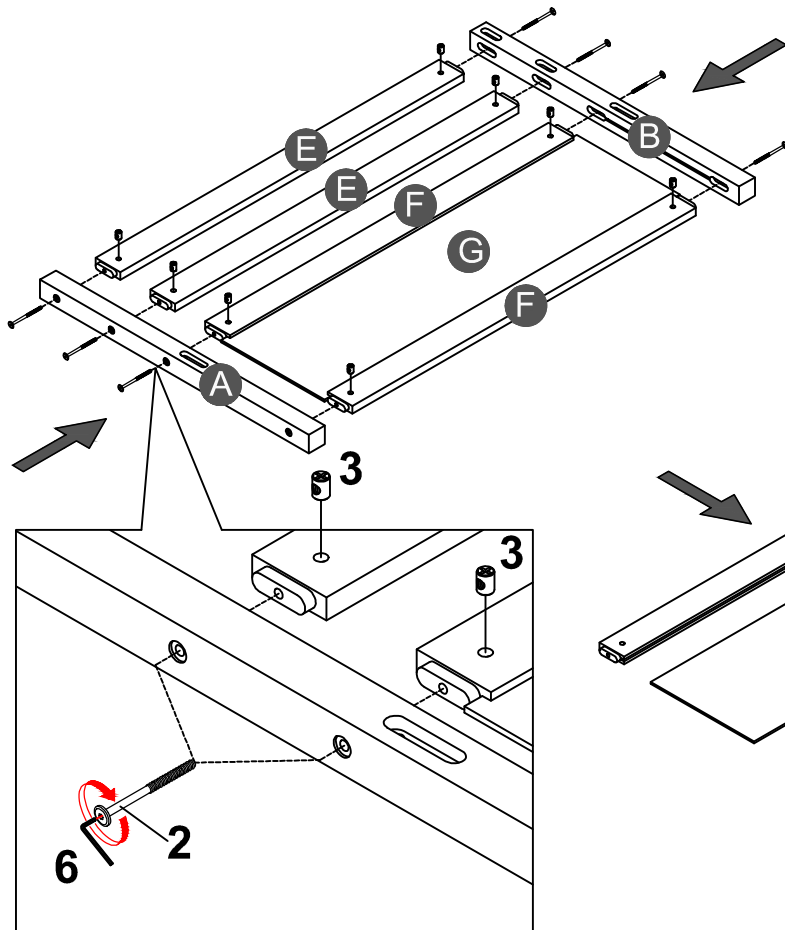
1  (Ø15)1/4"*100mm Hex-Head bolts (12pcs)	2  (Ø15)1/4"*80mm Hex-Head bolts (16pcs)	3  1/4"*15 (9.5mm) Horizontal-Hole bolts(28pcs)
4  Ø4*30mm Wood screws (24pcs)	5  100*65*20 mm Wheels (4pcs)	6  (1/4")4.5*58mm Allen key (1pc)
7  120*120*25*2mm Metal bracket (2pcs)	8  Ø3*12mm Wood screws (8pcs)	



ASSEMBLY TOOLS REQUIRED (NOT INCLUDED)

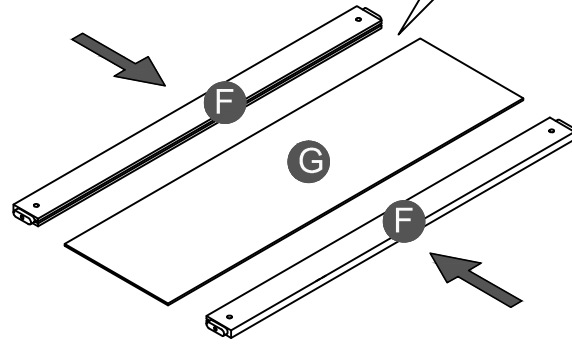
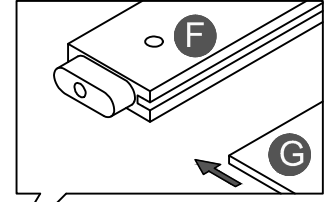


DO NOT USE POWER TOOLS TO ASSEMBLE THIS PRODUCT !

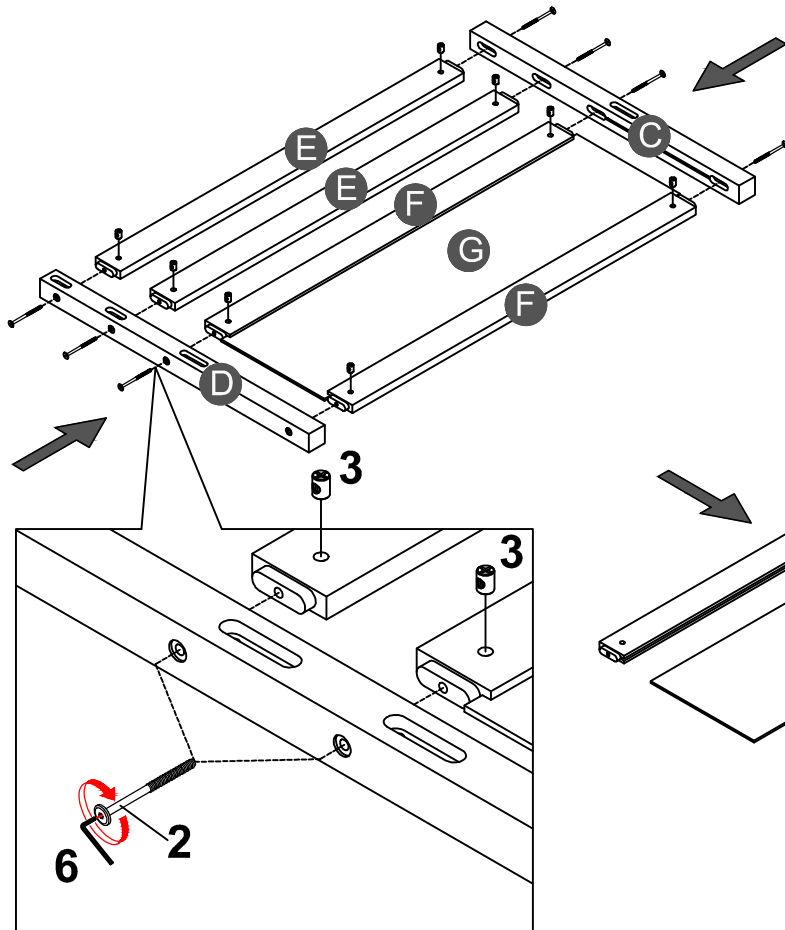
STEP 1:





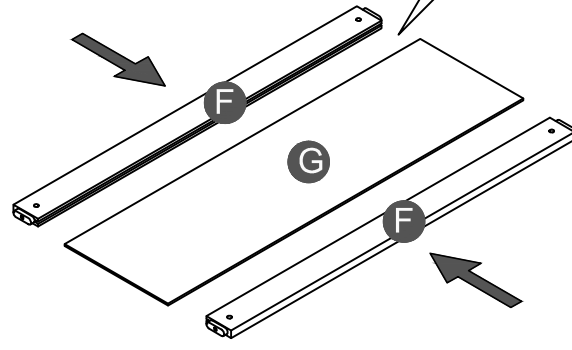
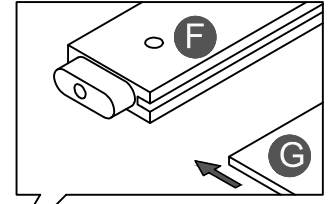
2		3	
8PCS		8PCS	





STEP 2:

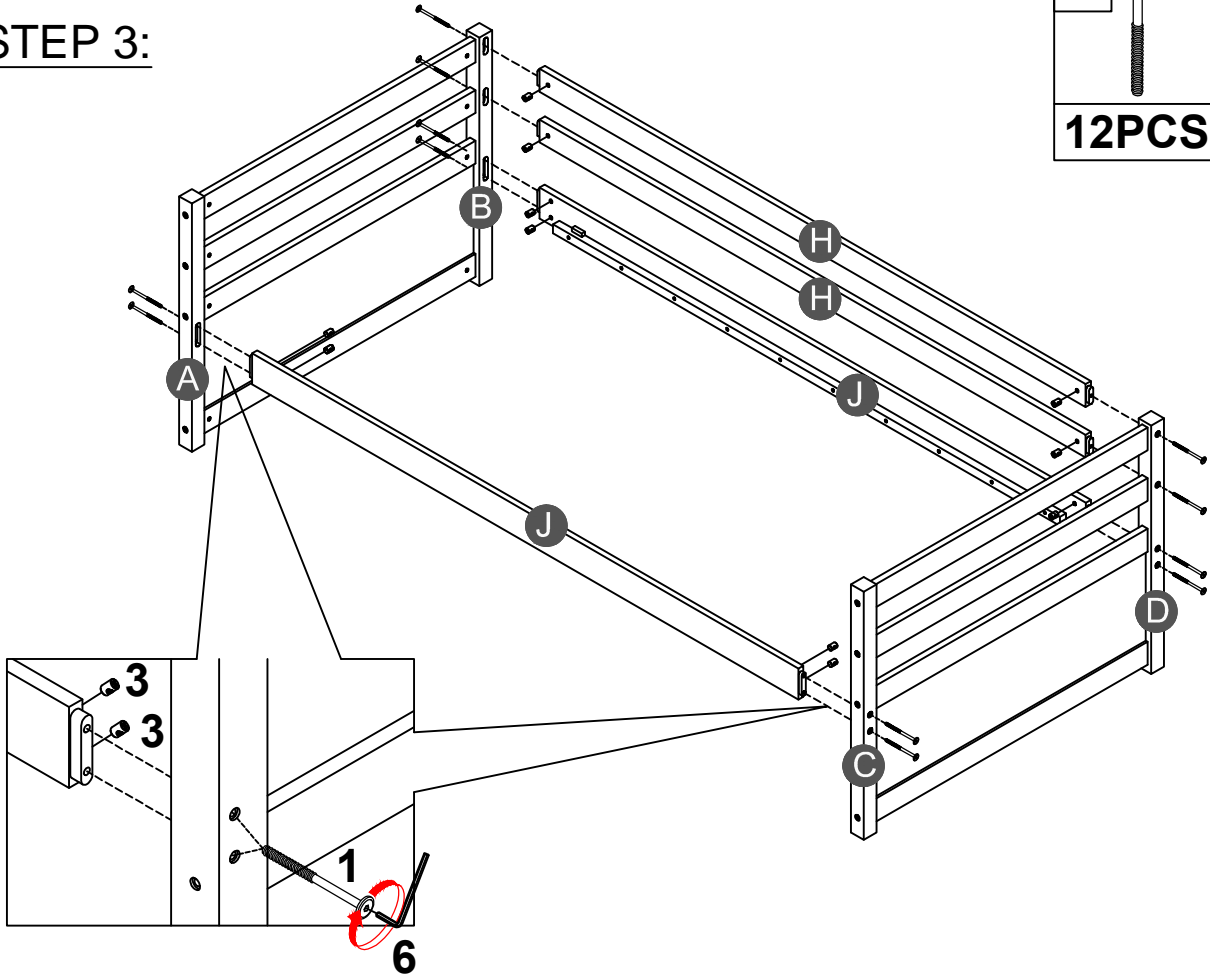


2		3	
8PCS		8PCS	




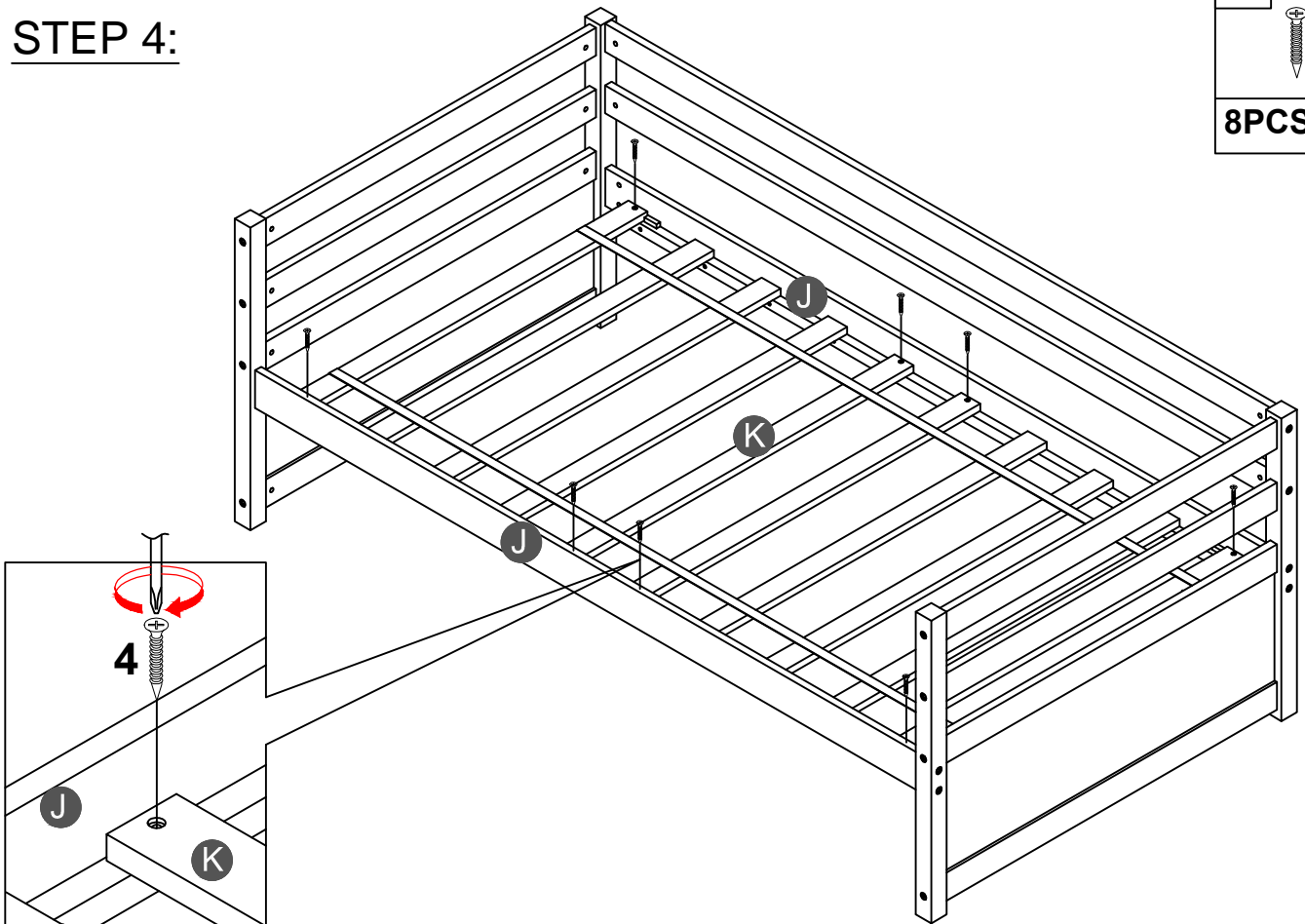
STEP 3:

1		3	
12PCS		12PCS	

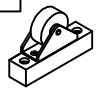
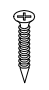


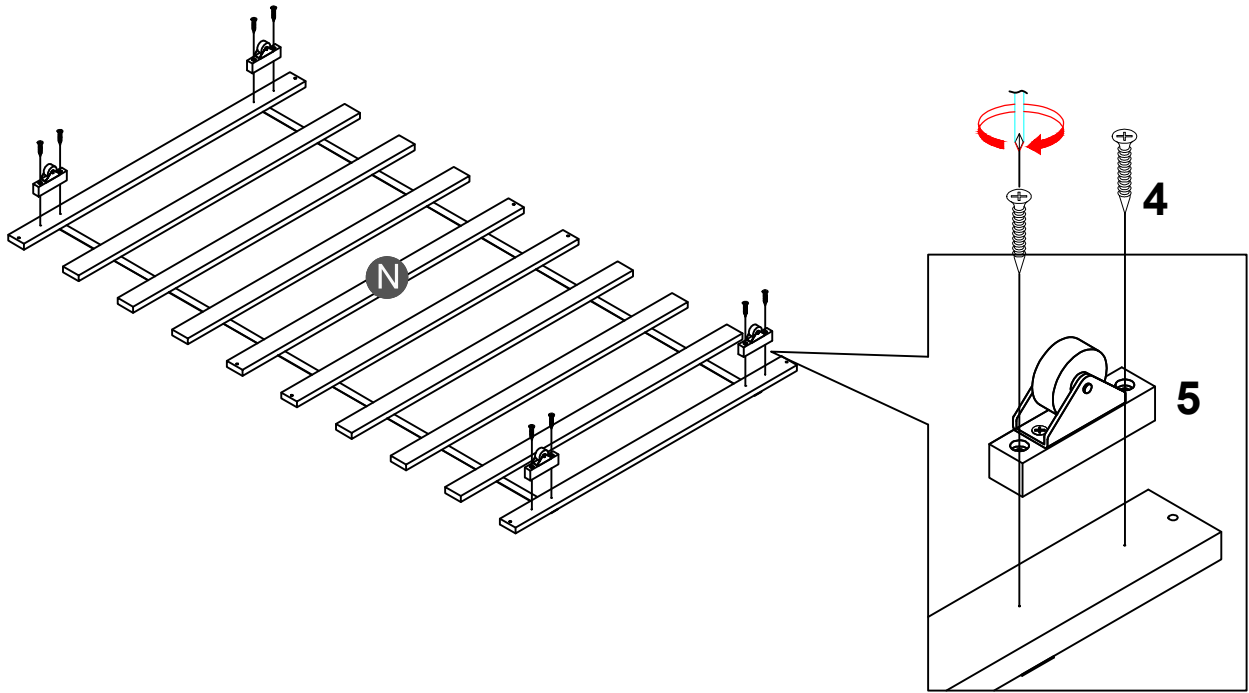
STEP 4:

4	
8PCS	




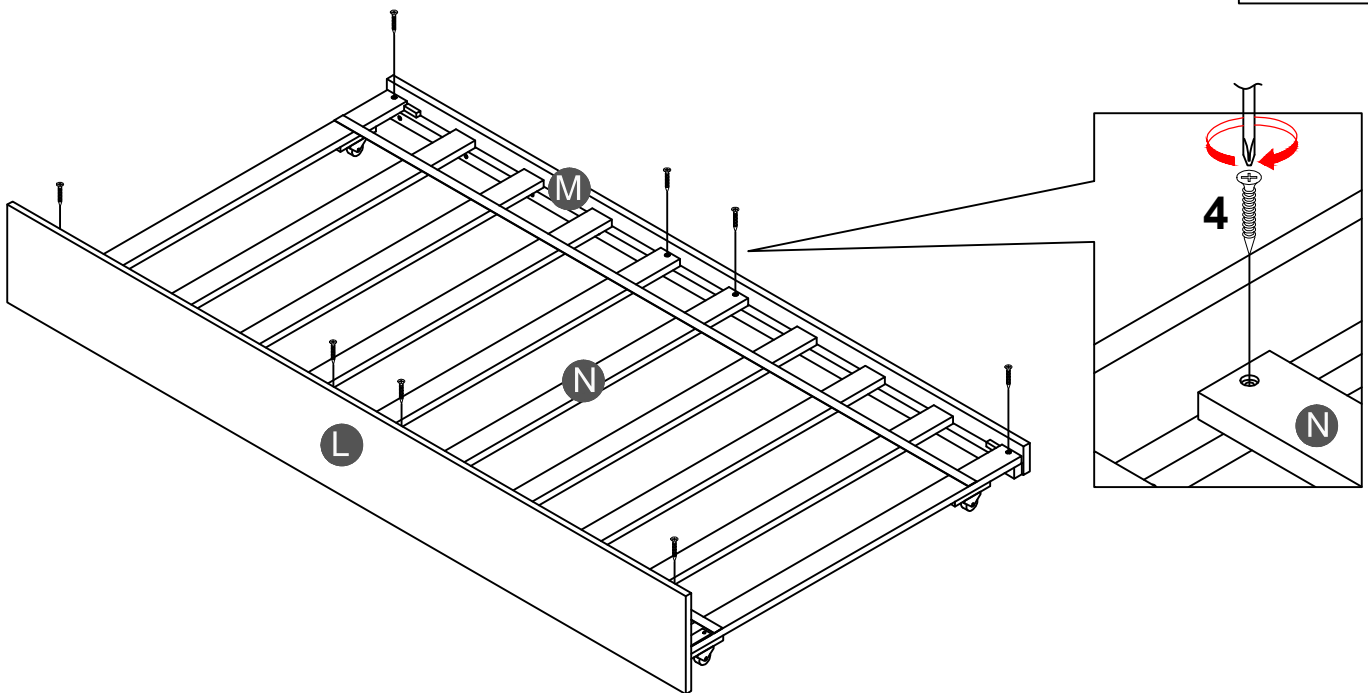
STEP 5:

5 	4 
4PCS	8PCS

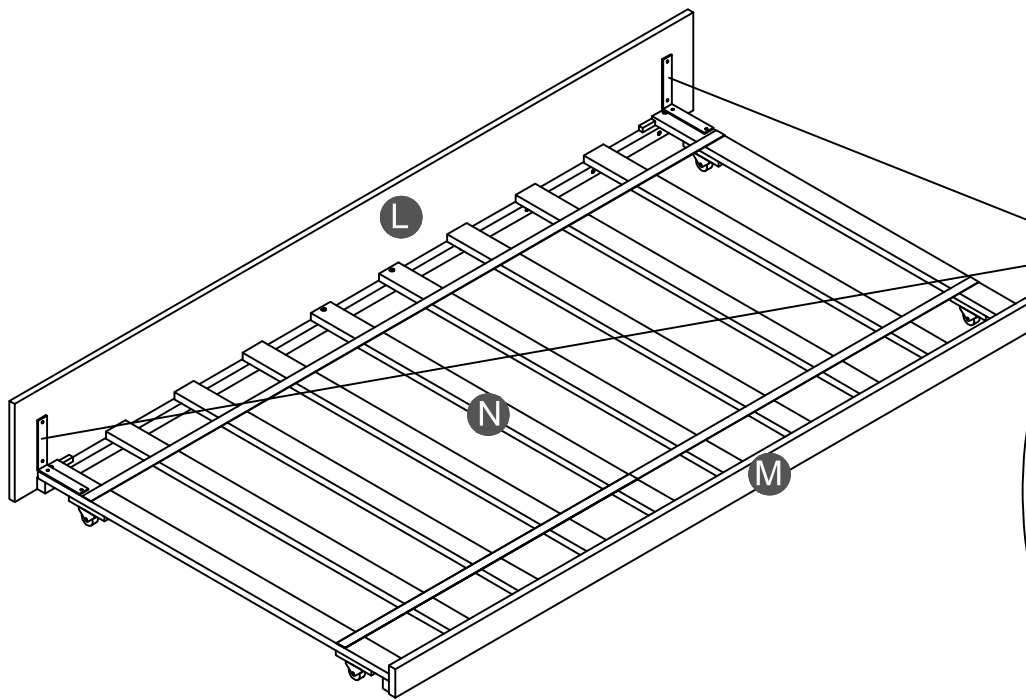


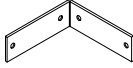

STEP 6:

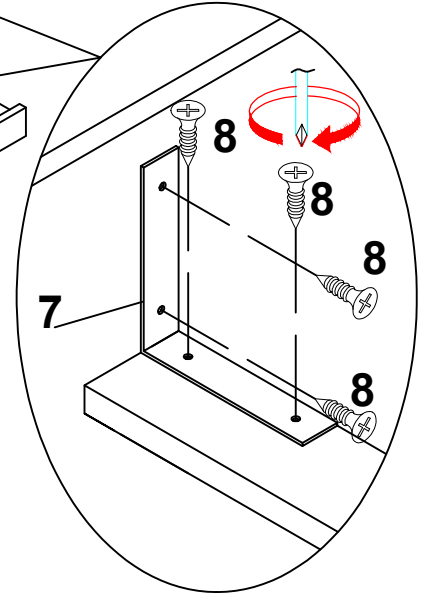
4 
8PCS



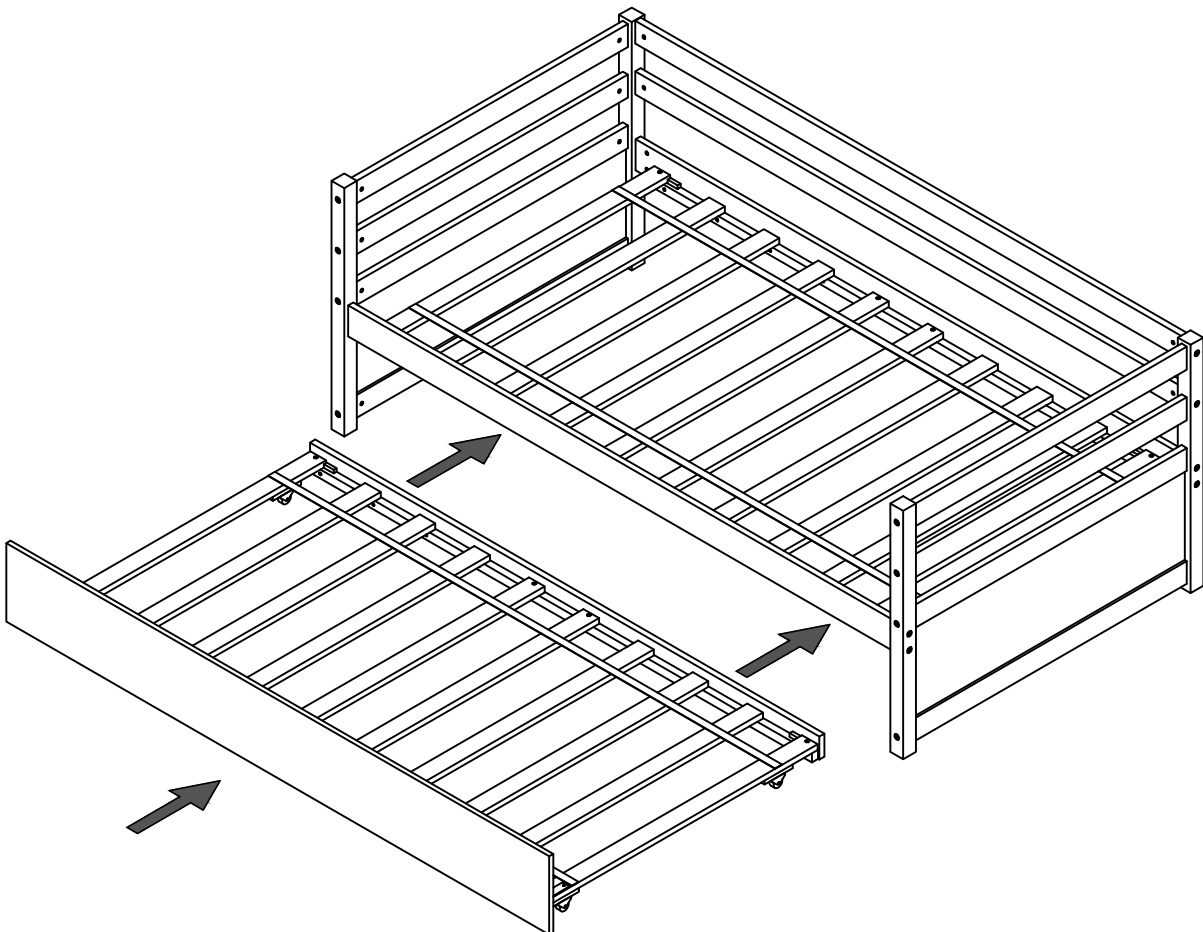
STEP 7:



7 	8 
2PCS	8PCS



STEP 8:



Push Trundle under the bottom of Day Bed.