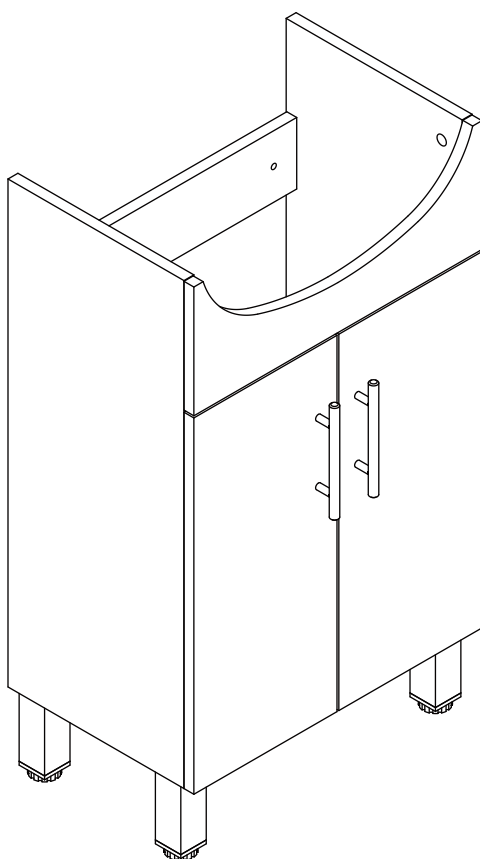


ASSEMBLY INSTRUCTION

ITEM NO. THKFBV142BK0B2
THKFBV142WH0B2



IMPORTANT NOTICE

Workspace Safety

Keep the workspace clear of clutter and ensure it's well-lit. A clean, flat surface is essential.

Read Instructions

Read the entire assembly guide before starting. Skipping steps can compromise safety.

Use Proper Tools

Use the tools provided or recommended. Avoid overtightening screws.

Secure Furniture

Anchor tall or heavy furniture to the wall to prevent tipping. This is crucial in homes with children or pets.

Handle Small Parts

Keep small parts away from children and pets to avoid choking hazards.

Get Help

Don't hesitate to ask for help with heavy or complex pieces.

Inspect Regularly

Periodically check for loose screws or wobbly parts and tighten as needed.

Follow these tips for a safe assembly process.

CARE AND CLEANING

Many cleaners contain abrasive and chemical substance which is not suitable for cleaning stainless steel, enamel, plating or plastic products. You may use mild cleansers or soaps to clean the surfaces. Wipe any splashes of cleaner solutions from the surface with a clean soft cloth.

Maintain ventilation in the bathroom and separate the dry area from the damp one if conditions permit. Try to open the door and windows of the bathroom to maintain adequate ventilation.

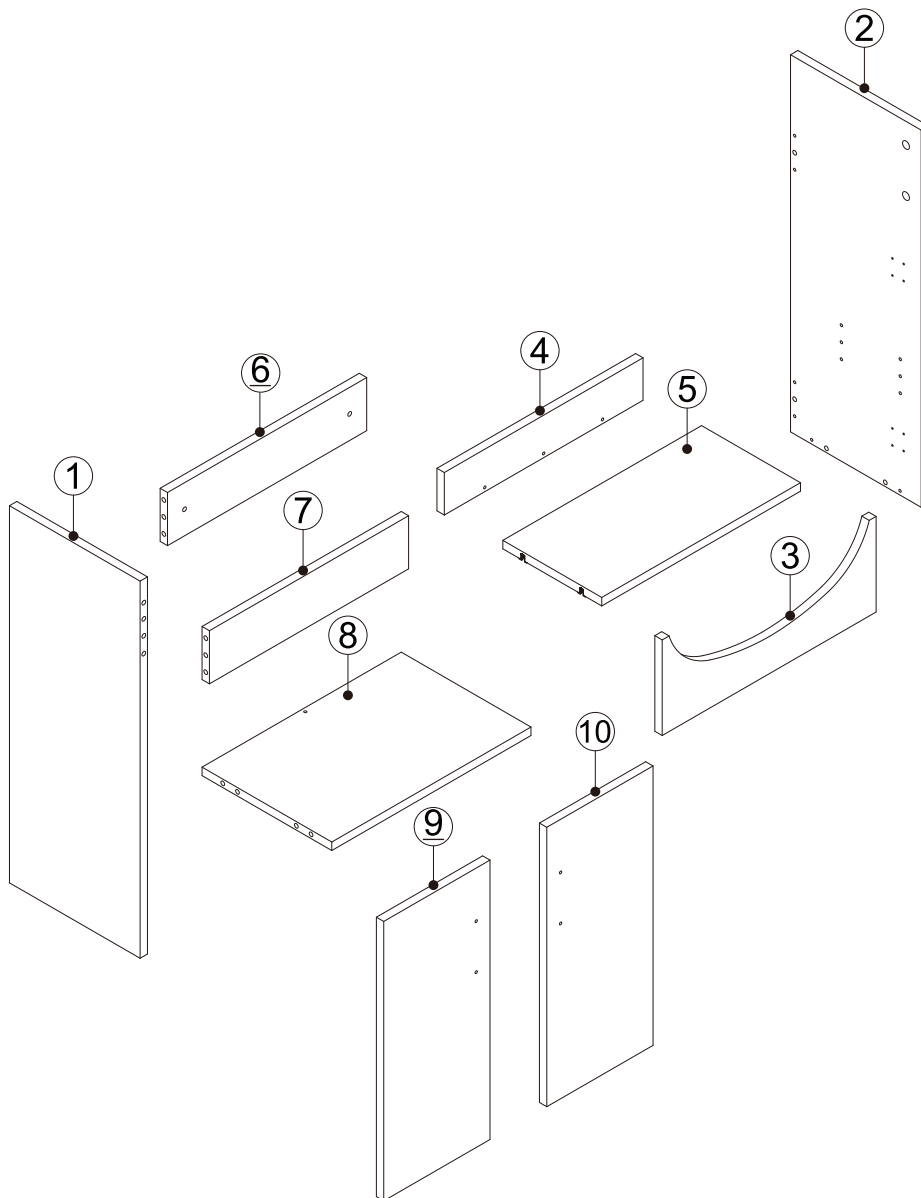
This cabinet is built to withstand normal bathroom humidity. For best results, keep this vanity dry and take necessary steps to minimize bathroom humidity by opening windows and doors and using the exhaust fan (if available).

To maintain the cabinet door, clean and wipe the door regularly with a soft cloth. Wipe condensation with a dry, soft cloth. Keep away from high temperatures.

Please do not sit, lean or step on the basin cabinet.

ASSEMBLY DIAGRAM

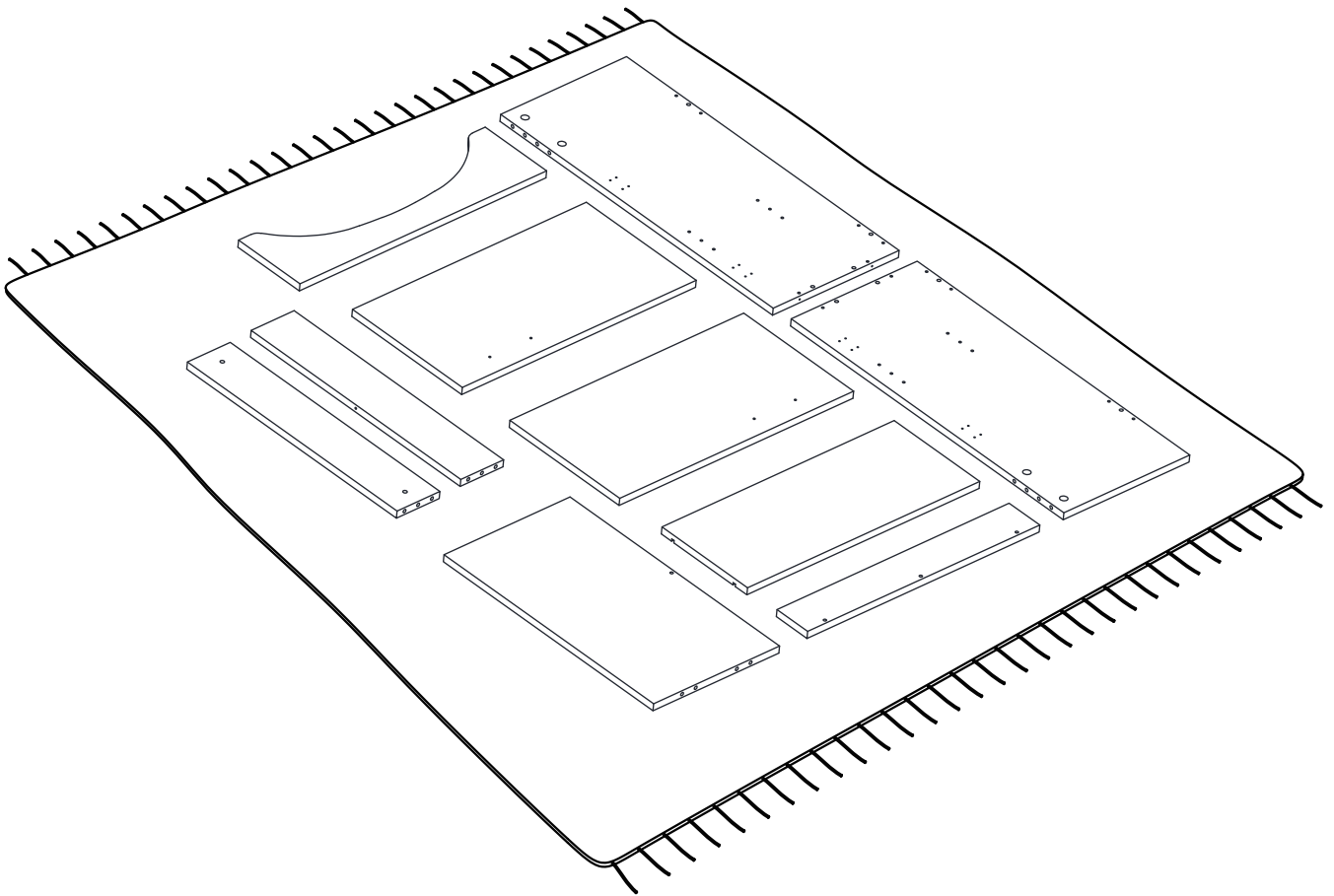
1. Refer to the exploded view below for the approximate location of each component.
2. Each part is labeled for easy identification.
3. Follow the assembly instructions carefully to ensure proper installation.



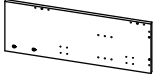
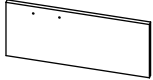
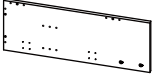
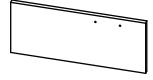

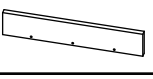

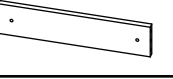

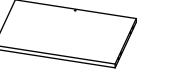


PRE-ASSEMBLY PREPARATION


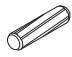


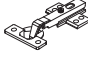



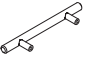

Before assembly, place all furniture parts on a soft surface, such as a blanket or the original packaging cardboard, to prevent damage to the floor or components from accidental drops and to avoid scratching the surfaces.



PARTS LIST

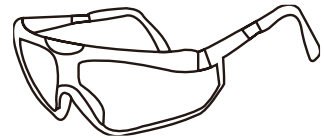
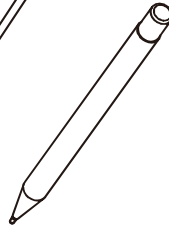
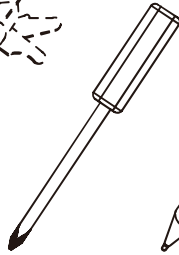
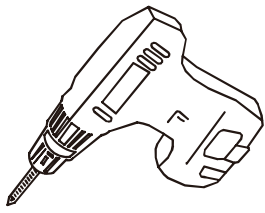
No.	Description	QTY	No.	Description	QTY
1		1	9		1
2		1	10		1
3		1	11		
4		1	12		
5		1	13		
6		1	14		
7		1	15		
8		1	16		

HARDWEAR LIST

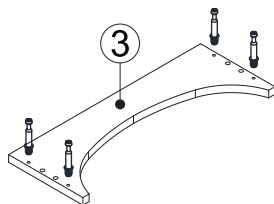
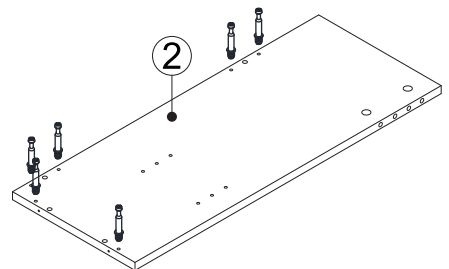
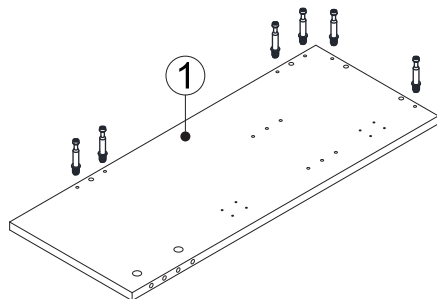
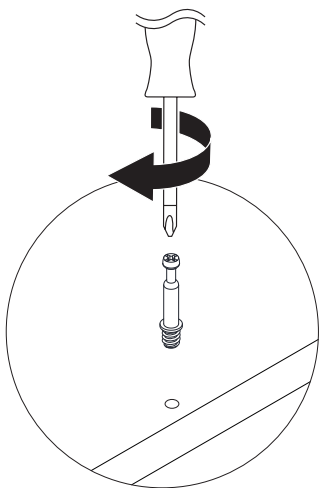
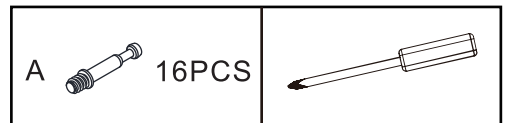
No.	Description	QTY
A	 Three-in-one Connector	16
B	 Wood Plug	12
C	 Screws M4x14	36
D	 Handle Screws M4x22	4
E	 Hinges	4
F	 Screws For Fix On The Wall M4x50	2
G	 Screws M5*40	4
H	 Shelf Braket	4
J	 Handle	2
K	 Legs	4

CAUTION: Please confirm the parts list before installtion

YOU MAY NEED (NOT SUPPLIED)

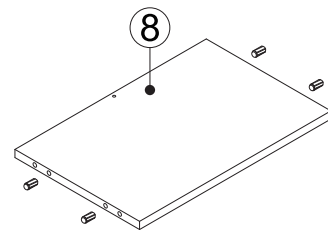
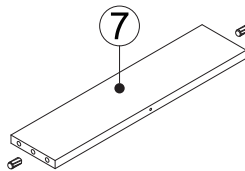
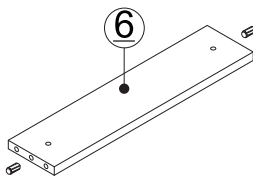
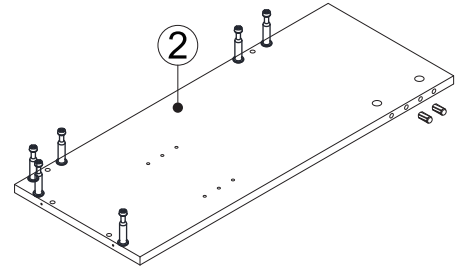
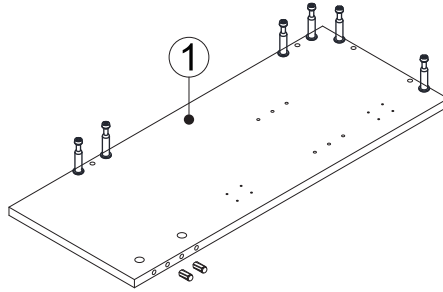
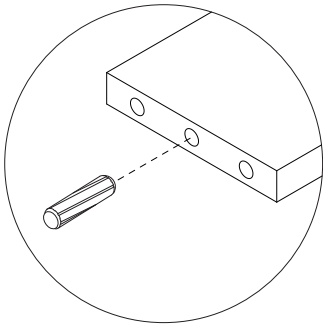
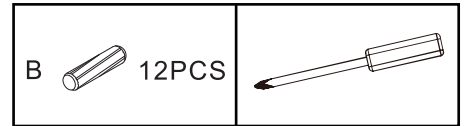


1



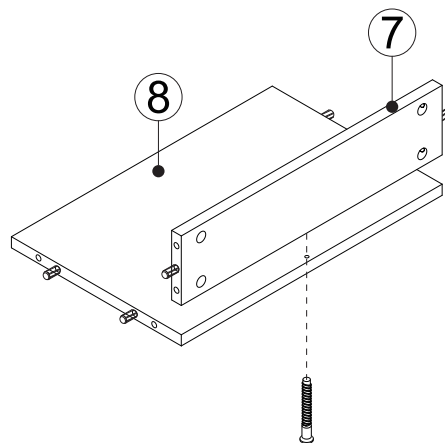
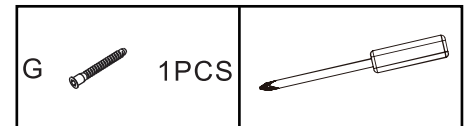
- Insert the Cam Screw into the shelves above.

2





- Insert the wooden dowel pins into the shelves.

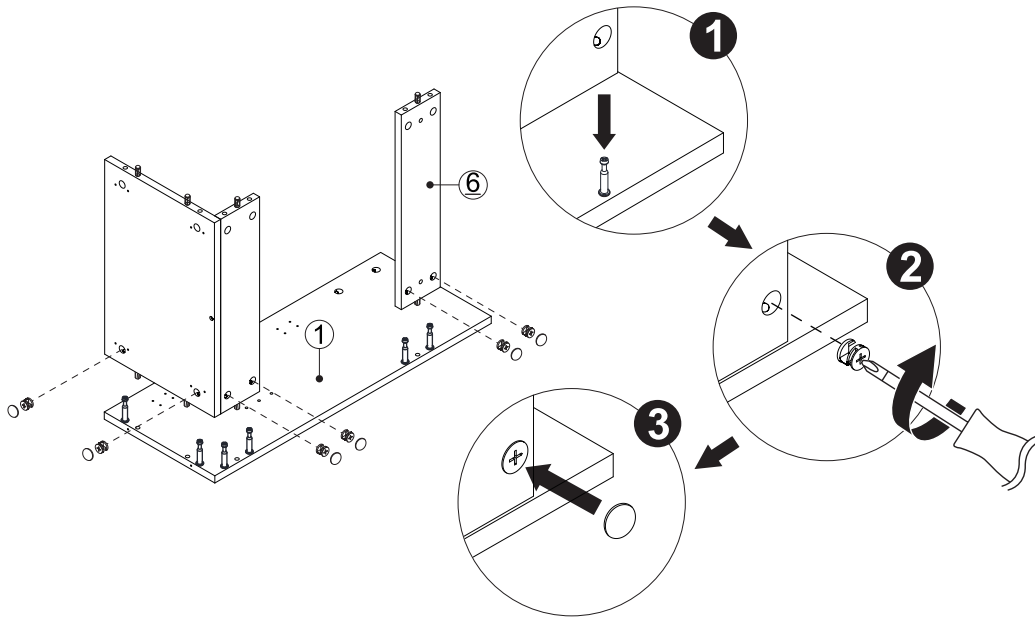
3



- Connect the plates #7 and #8 with screws.



4

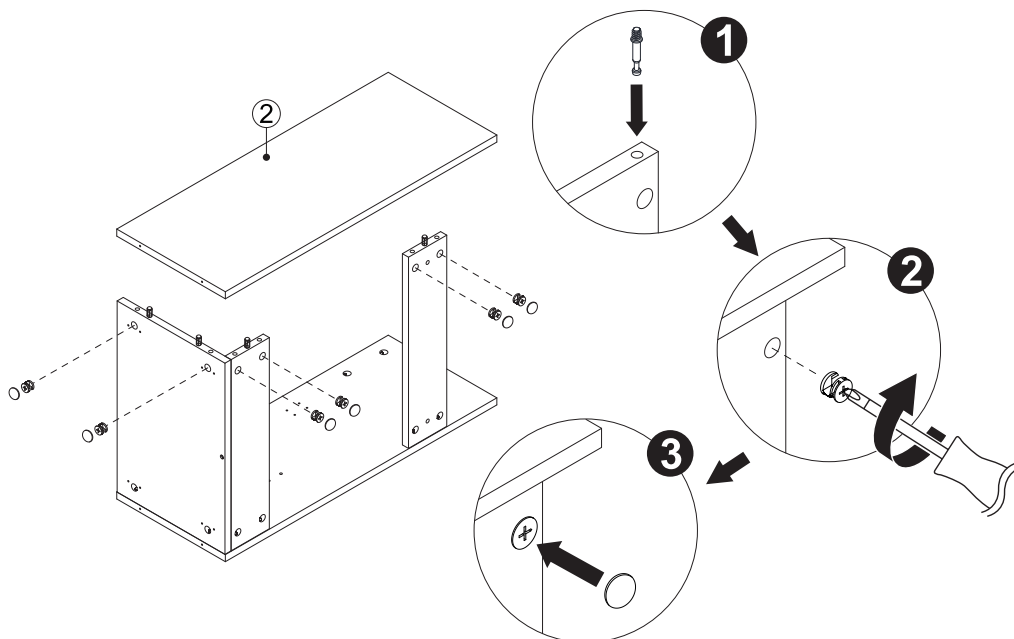
A		6PCS	A		6PCS
---	---	------	---	---	------



- Refer to the illustration, insert the plate #6 and already assembled #7, #8 on the shelf #1. Then tighten the cam lock with the cover.



5

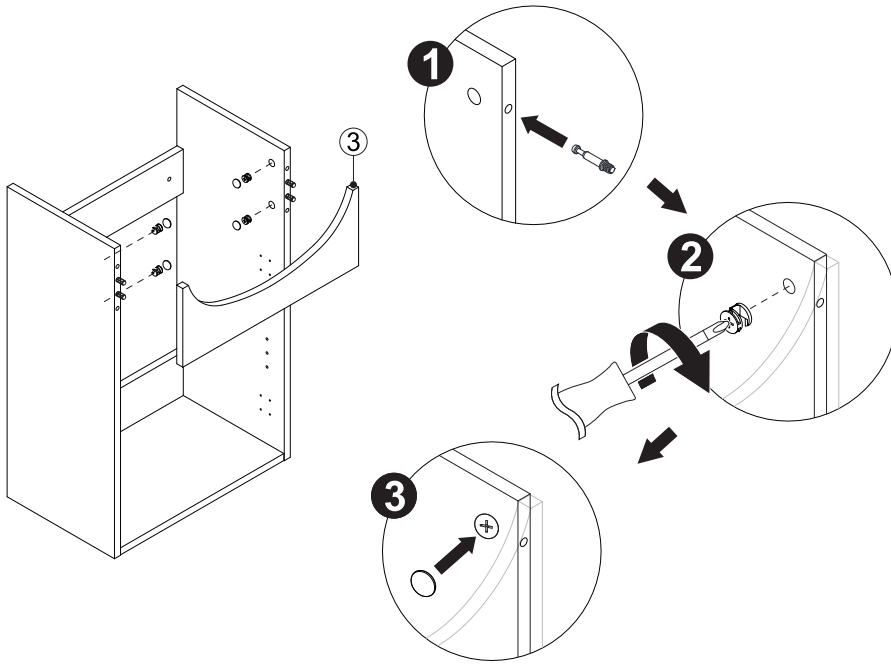
A		6PCS	A		6PCS
---	---	------	---	---	------



- Refer to the illustration, install plate #2 on the cabinet. Then tighten the cam lock with the cover.



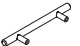


6

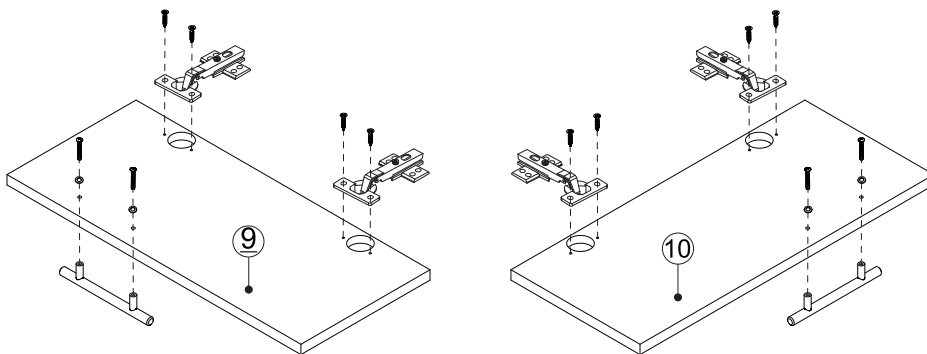
A		6PCS	A		6PCS
---	---	------	---	---	------



- Refer to the illustration, insert the plate #3 into the assembled shelf as well. Then tighten the cam lock with the cover.

7

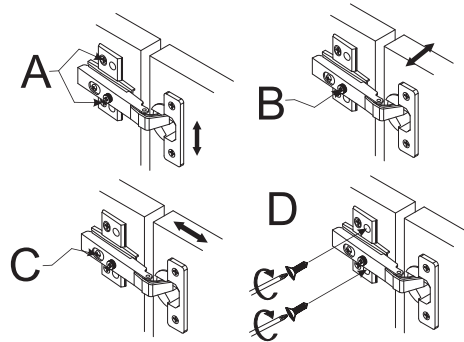
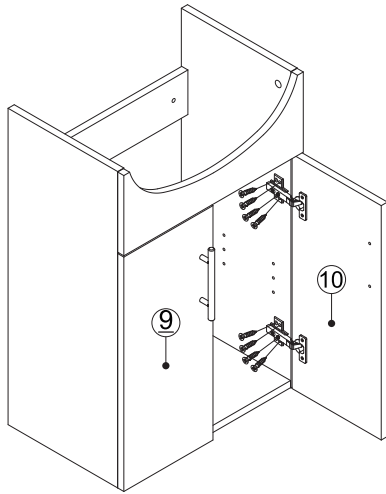
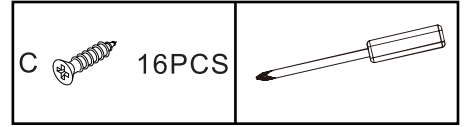
C		8PCS	E		4PCS	J		2PCS
D		4PCS	D		4PCS			



Note: see step 8 to adjust the door's position.

- Use Screws to install the handle and apply Screws to fix the hinge on the shelf #9. Then use Screws to connect the hinge bracket to the cabinet. Repeat these steps for the other door.

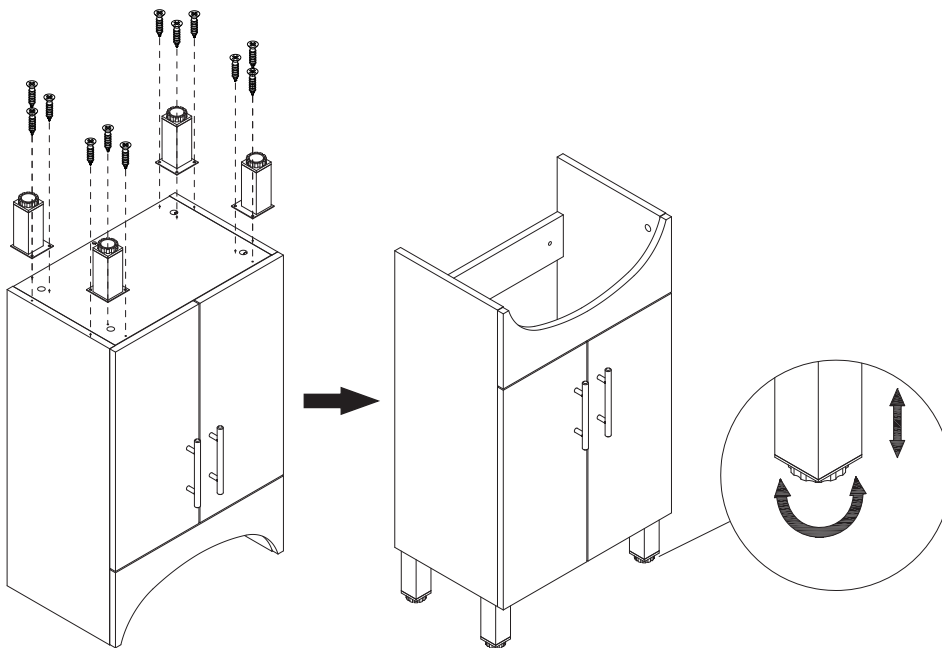
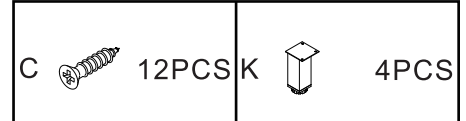
8



- A.Height adjustment
- B.Side to side adjustment
- C.Depth adjustment
- D.After adjustment A/B/C,tighten screws.

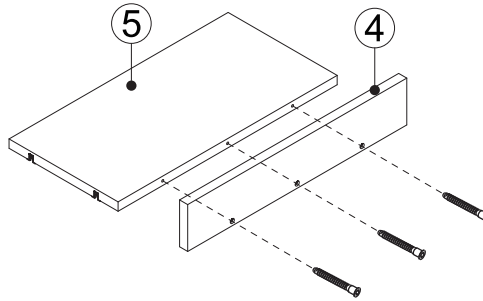
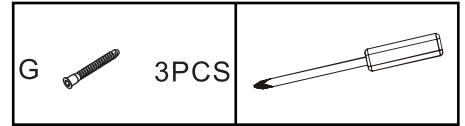
● To ensure proper cabinet alignment, refer to the above illustrations for instructions about adjusting the cabinet height, depth and lateral movement.

9



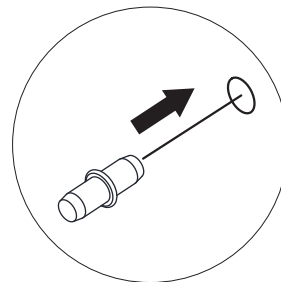
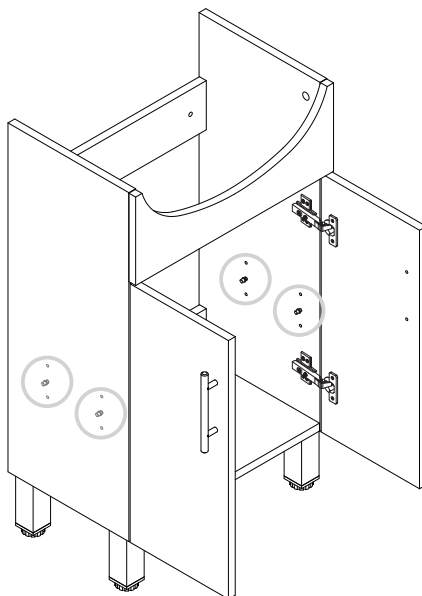
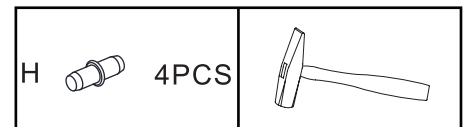
- Attach the legs to the cabinet with screws. Refer to the illustration,adjust the height of legs.

10



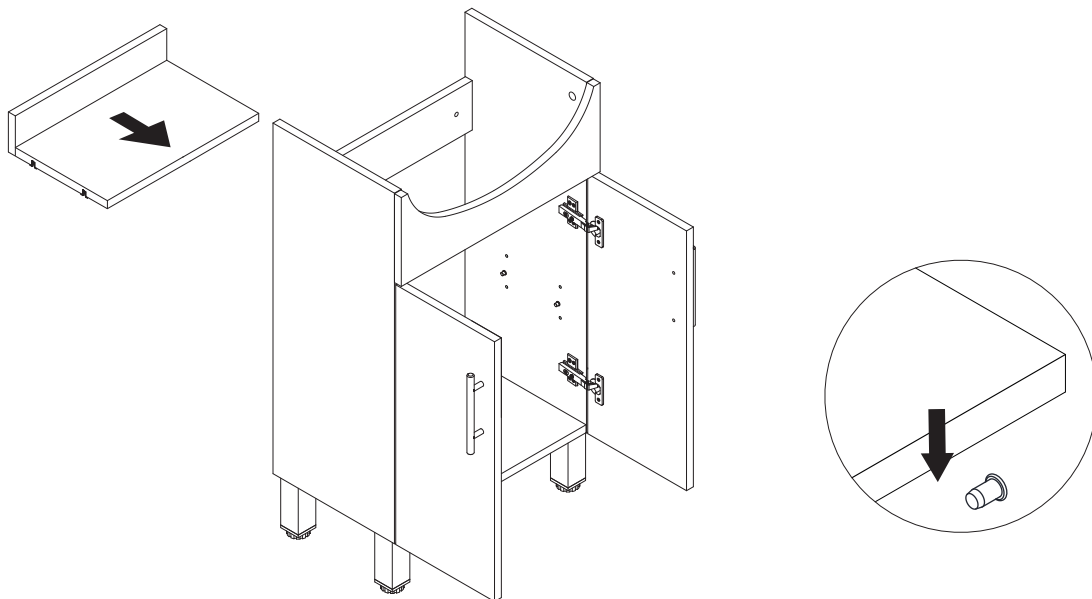
- Connect the plates #4 and #5 with screws.

11







- Refer to the illustration, insert the shelf bracket into the corresponding holes.

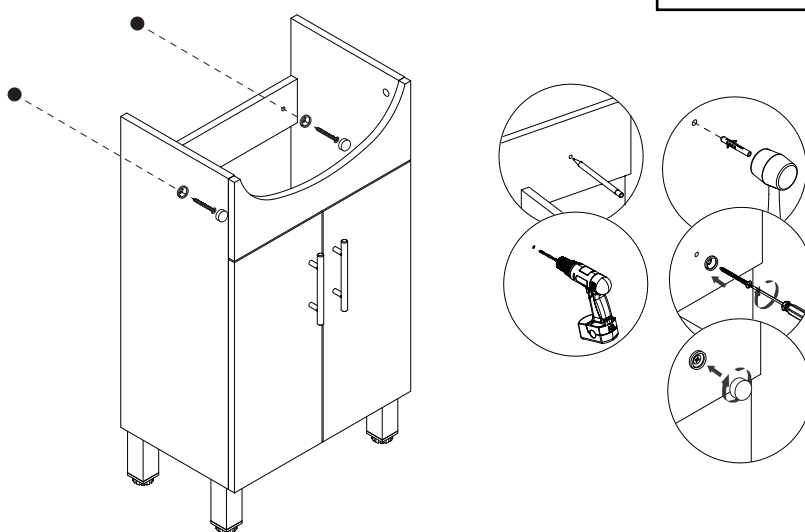
12



- Put the assembled shelves and insert the clasp into the shelf bracket.

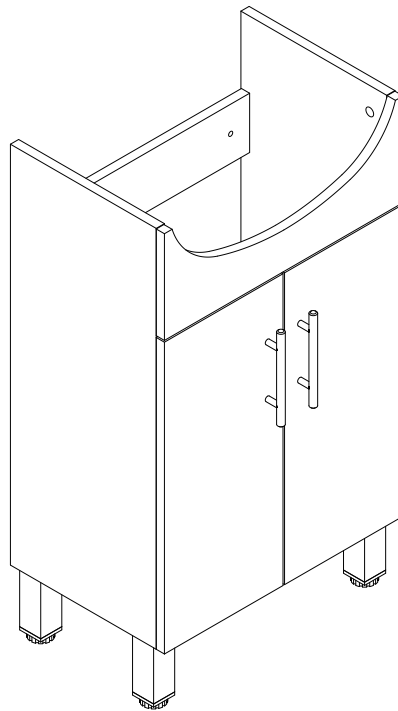
13

F		2PCS	F		2PCS
F		2PCS	F		2PCS



- Refer to the illustration, Draw the spacing between the walls on the cabinet, punch holes in the wall, and fix the cabinet to the wall with screws. Then tighten the nut cover.

14



- To help prevent mildew, apply sealant to the space between the wall and the edge of the cabinet.

THANK YOU

Thank you for choosing our product. We sincerely hope that the assembly process has been smooth and enjoyable for you. If you have any questions or suggestions during the use of the product, please feel free to contact us.

Contact number: (323)-393-8260 at EST 9AM-1PM

E-mail: service@eclifeusa.com

