

NOTICE

*Please make sure that you have all parts indicated and they are in good condition before you begin assembly of this item. Refer to part list and hardware list below for guidance.

*This item should be assembled on a soft surface to prevent scratching the finish during assembly.

*This item may require periodic tightening.

*If you are having difficulty, our friendly Customer Care team is always here to help.

PREPARATION

*Before beginning assembly of product, make sure all parts are present. Compare parts with part contents list and hardware contents list.

*If any part is missing or damaged, do not attempt to assemble the product.

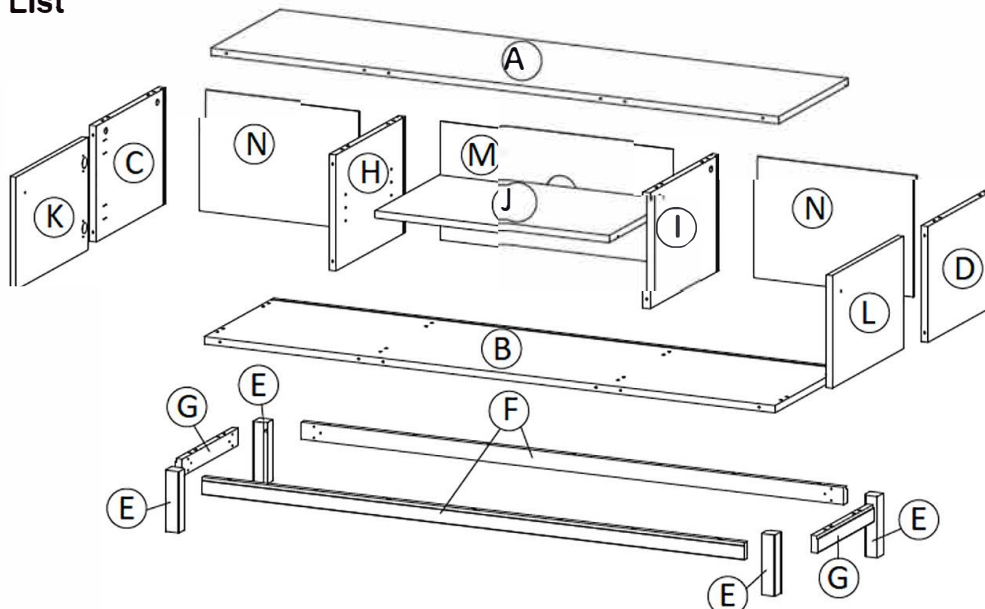
*Estimated Assembly Time: 60 minutes.

*Tools Required for Assembly (included): Allen Key

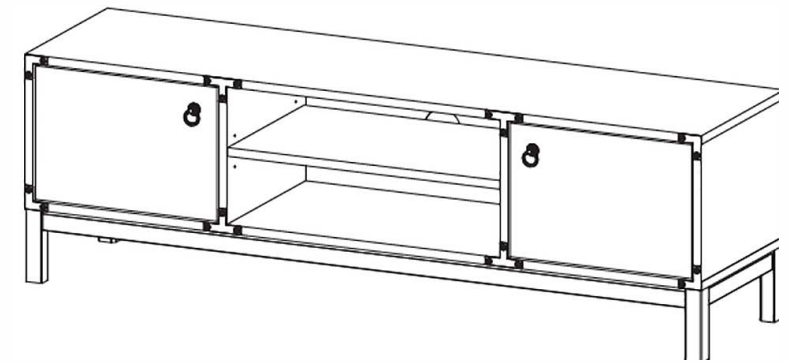
CARE AND MAINTENANCE

Always use felt pads under all articles to prevent discoloration or softening of the lacquer. Plastic and rubber bases on items can discolor wood. Wipe up spills immediately and avoid common hazards such as hot dishes, harsh solvents and abrasives. Cleaning should be done with a soft lint free cotton cloth dampened with water or furniture polish. On highly used surfaces we recommend applying a quality paste wax which should be used on a regular basis to provide additional protection from scratches and spills. How often you apply the wax depends on how much wear the furniture receives.

Part List



Product Dimensions: 59"Wx15"Dx19"H



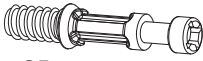

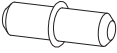

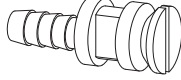
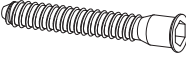



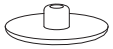
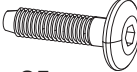




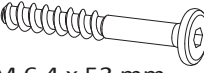

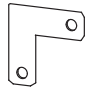
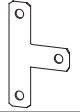



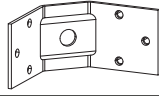
WARNING

This product is intended for use with a
FLAT SCREEN TV ONLY
Maximum Screen Size: 65 inches
Weight Limit: 81.5 lbs
Shelf Load Limit: 30.8 lbs
Drawer Load Limit: - lbs
Use with heavier televisions may result
in instability causing tip over resulting in
death or Serious injury.

WARNING

Death or serious injury may occur
when children climb on audio
and/or video equipment furniture.
A remote control or toys placed on
the furnishing may encourage a
child to climb on the furnishing and
as a result the furnishing may tip
over on the child.

Hardware List

<p>HW1x8</p>  <p>Ø 6 x 35 mm</p>	<p>HW2x8</p>  <p>Ø 15 mm</p>	<p>HW3x4</p>  <p>Ø 5 x 15 mm</p>	<p>HW4x28</p>  <p>Ø 8 x 30 mm</p>	<p>HW5x2</p> 	<p>HW6x8</p>  <p>M 7 x 50 mm</p>
<p>HW7x2</p>  <p>L 4</p>	<p>HW8x48</p>  <p>M 4.5 x 12.5 mm</p>	<p>HW9x18</p>  <p>M 6 x 12.5 mm</p>	<p>HW10x8</p>  <p>Ø 15 mm</p>	<p>HW11x4</p>  <p>M 6 x 25 mm</p>	<p>HW12x20</p> 
<p>HW13x20</p>  <p>M 3.5 x 15.5 mm</p>	<p>HW14x2</p> 	<p>HW15x2</p>  <p>M 4 x 20 mm</p>	<p>HW16x10</p>  <p>M 6.4 x 53 mm</p>	<p>HW17x20</p>  <p>M 6.4 x 14 mm</p>	<p>HW18x4</p> 
<p>HW19x4</p> 	<p>HW20x4</p> 	<p>HW US140x1</p> 	<p>HW HN26C</p> 	<p>HW BC410x4</p> 	

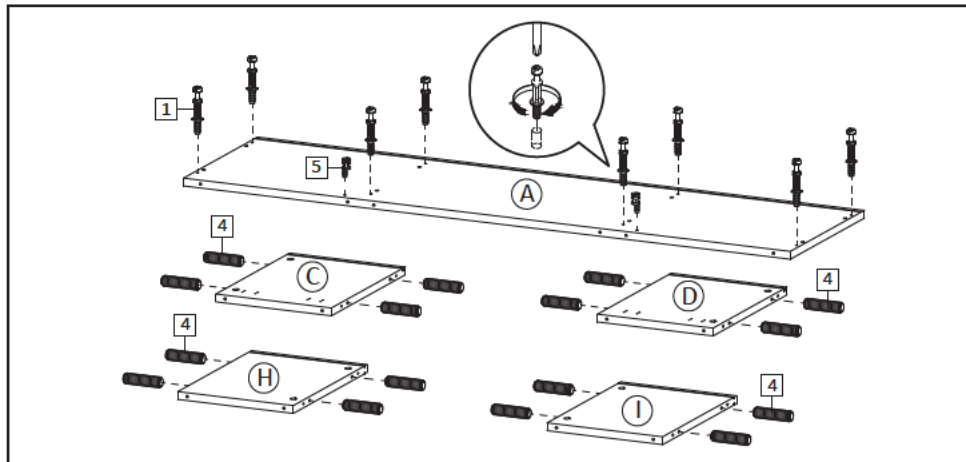
Part List & HW For Multi-Box Items

Piece	Description	Qty	Carton Call
A	Top Board	1	1 of 1
B	Bottom Board	1	1 of 1
C	Side Board Left	1	1 of 1
D	Side Board Right	1	1 of 1
E	Leg	4	1 of 1
F	Bottom Skirt 1	2	1 of 1
G	Bottom Skirt 2	2	1 of 1
H	Center Board Left	1	1 of 1
I	Center Board Right	1	1 of 1
J	Adjustable Shelf	1	1 of 1
K	Door Left	1	1 of 1
L	Door Right	1	1 of 1
M	Back Board 1	1	1 of 1
N	Back Board 2	2	1 of 1

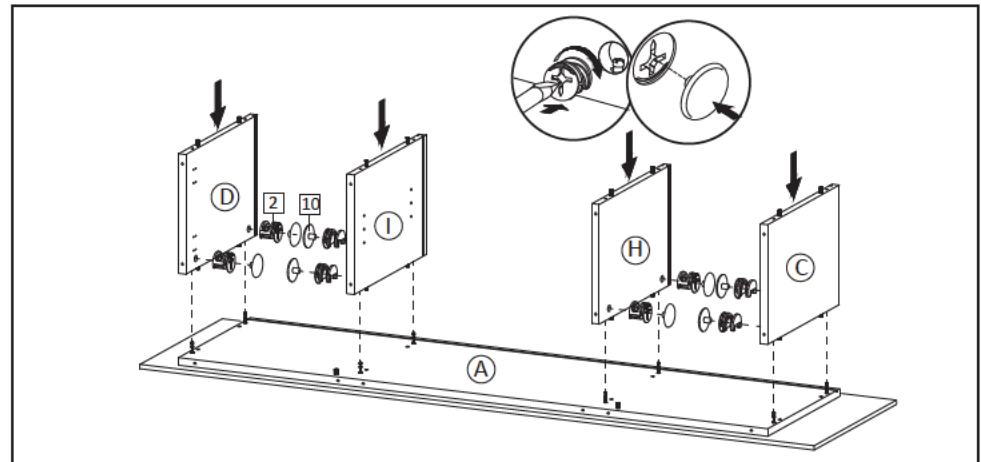
Piece	Description	Qty	Carton Call
HW1	Cambolt	8	1 of 1
HW2	CamLock	8	1 of 1
HW3	Shelf Pin	4	1 of 1
HW4	Dowel	28	1 of 1
HW5	Door Stopper	2	1 of 1
HW6	Screw M 7 x 50 mm	8	1 of 1
HW7	Allen Key	2	1 of 1
HW8	Screw M 4.5 x 12.5 mm	48	1 of 1
HW9	Screw M 6 x 12.5 mm	18	1 of 1
HW10	Screw Cap	8	1 of 1
HW11	Screw M 6 x 25 mm	4	1 of 1
HW12	Wedge	20	1 of 1
HW13	Screw M 3.5 x 15.5 mm	20	1 of 1
HW14	Handle	2	1 of 1
HW15	Screw M 4 x 20 mm	2	1 of 1
HW16	Screw M 6.4 x 53 mm	10	1 of 1
HW17	Screw M 6.4 x 14 mm	20	1 of 1
HW18	Plat "L"	4	1 of 1
HW19	Plat "T"	4	1 of 1
HW20	Floor Protector	4	1 of 1
HW US140	Anti-Deflection Bar	1	1 of 1
HW HN26C	Hinge	4	1 of 1
HW BC410	Corner Brace	4	1 of 1

PREPARATION

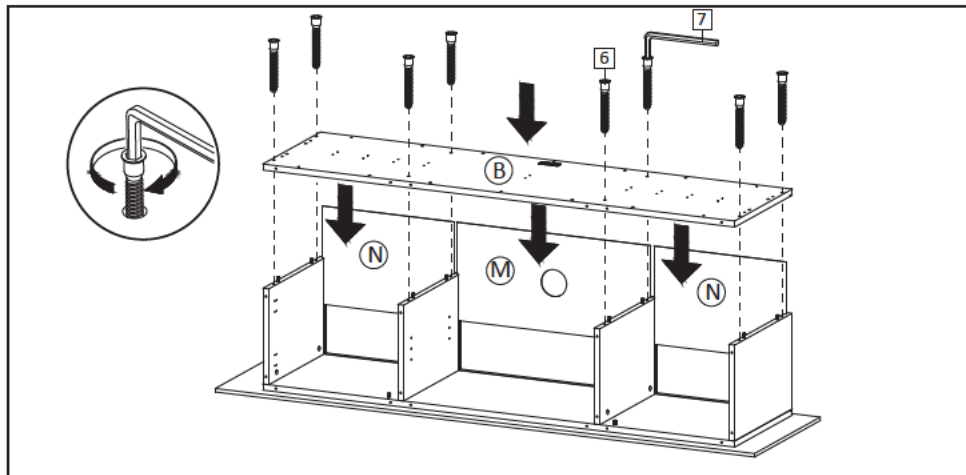
Before beginning assembly of product, make sure all parts are present. Compare parts with part contents list and hardware contents list.
If any part is missing or damaged, do not attempt to assemble the product.
Estimated Assembly Time: 60 minutes.



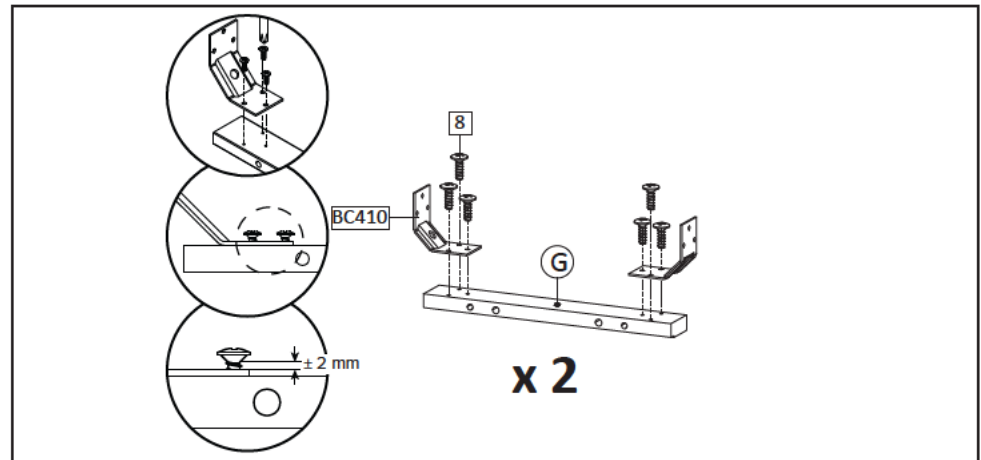
STEP1: Insert Cambolt (HW1) and Door Stopper (HW5) into Top Board (A). Insert Dowel (HW4) into Side Board Left (C), Side Board Right (D), Center Board Left (H) and Center Right (I).



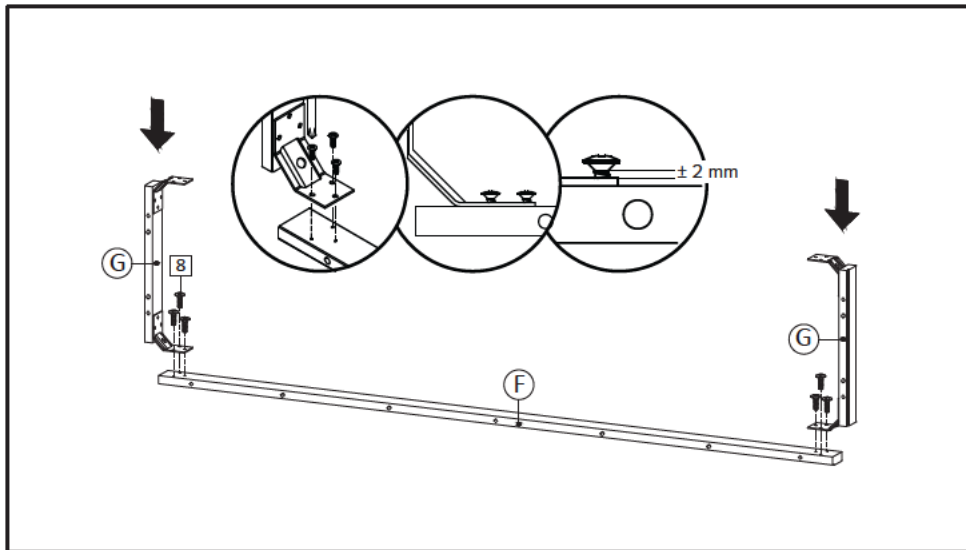
STEP2: Attach Side Board Left (C), Side Board Right (D), Center Boards (H&I) into Top Board (A). Insert Camlock (HW2) then tighten using screwdriver. Put Screw Cover (HW10) over the camlock.



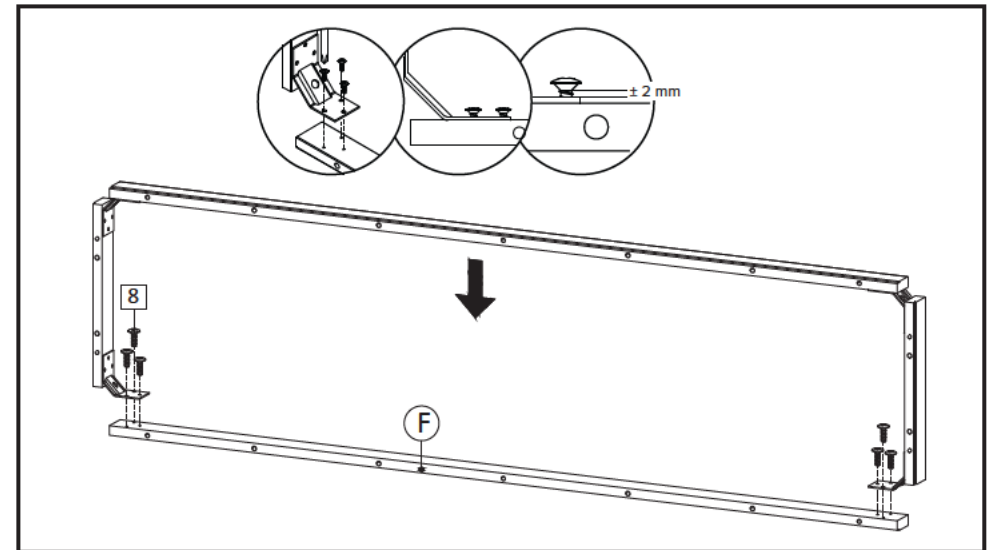
Step3: Insert Backboards (M&N) as figure. Put Bottom Board (B) and secure with Screw M7x50 (HW6), tighten screws using Allen Key (HW7)



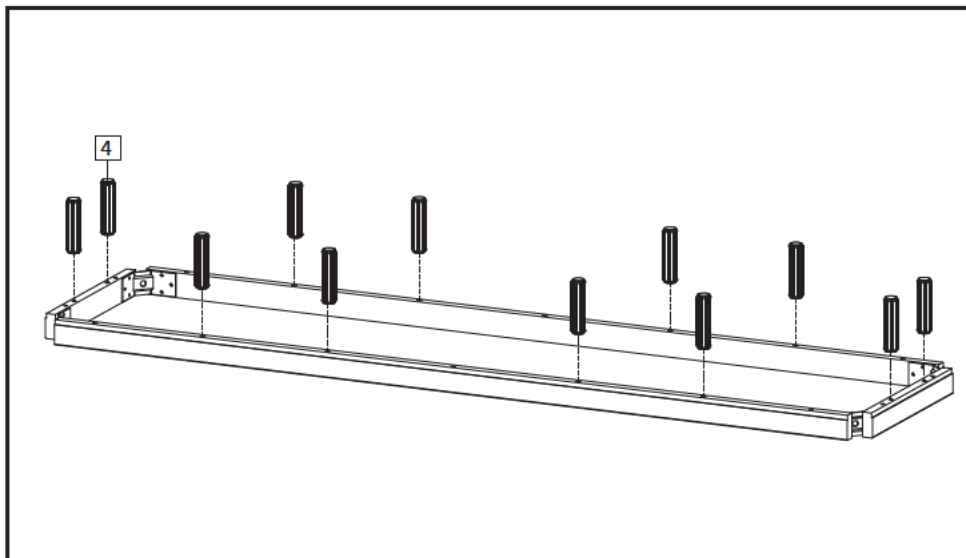
STEP4: Now let's combine the bottom skirt. Start with installing Corner Brace (HW BC410) into Bottom Skirt 2 (G) using Screw M4.5x12.5mm (HW8). Do not overtighten screw yet, leave around 2mm gap.



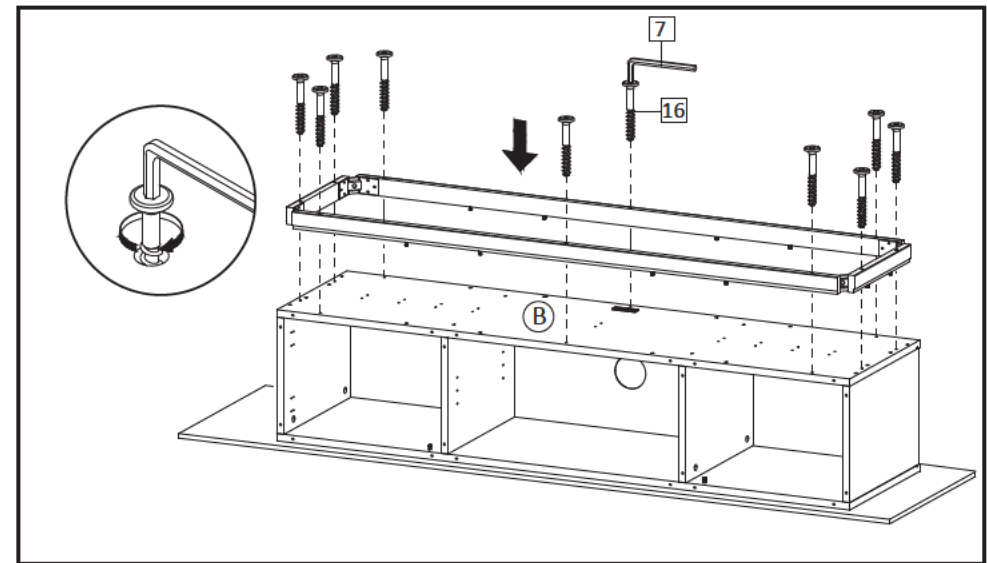
STEP5: Combine the Bottom Skirt 2 from step 4 with Bottom skirt 1 (F), using Screw M4.5x12.5mm (HW8). Do not overtighten screw yet, leave around 2mm gap.



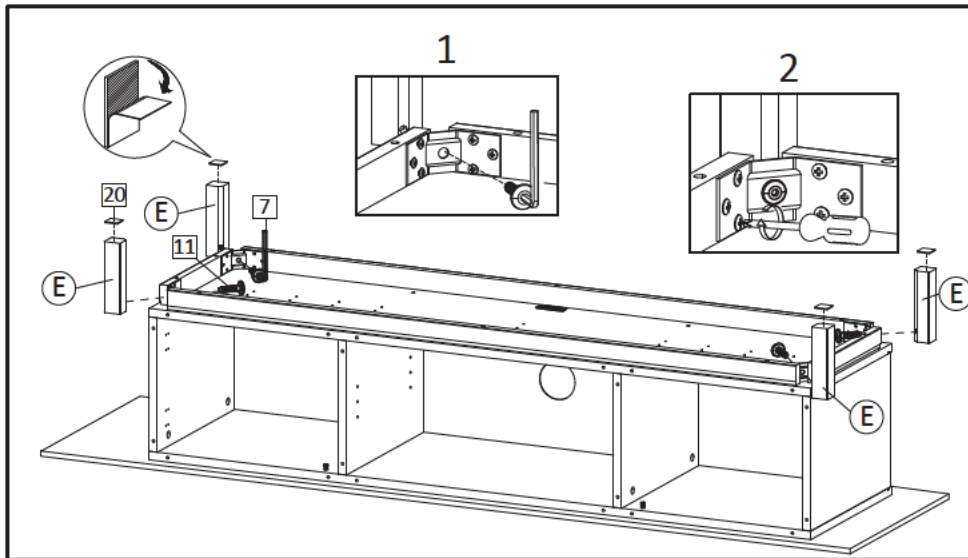
STEP6: Combine components from step 5 with remaining Bottom skirt 1 (F), using M4.5x12.5mm (HW8). Do not overtighten screw yet, leave around 2mm gap.



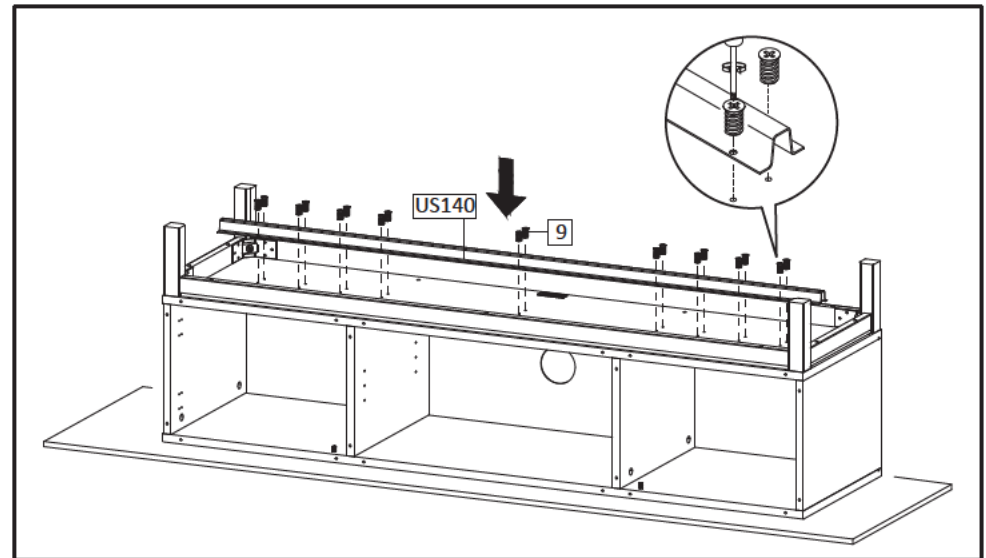
STEP7: Insert Dowel Big (HW4) into assembled Bottom skirt from previous step.



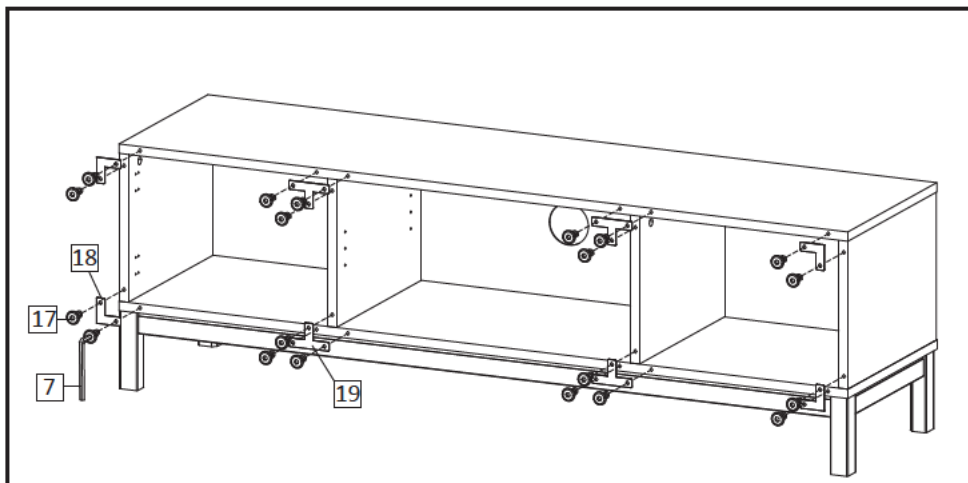
STEP8: Bring the assembled bottom skirt and insert into Bottom Board of the media stand. Secure the bottom skirt by inserting Screw M6.4x53mm (HW16) and tighten with Allen Key (HW7).



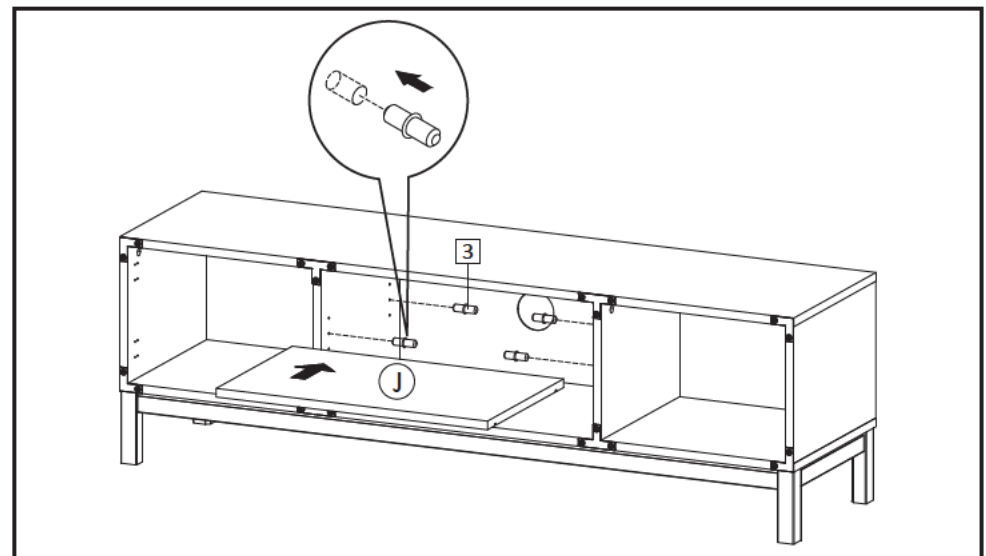
STEP9: Place the Leg (E) on the center corner brace and insert the screw M6x25mm (HW11) with Allen Key (HW7) into the leg, then tighten all the screws. Remove back paper of the floor protector (HW20) stick to bottom face of the legs.



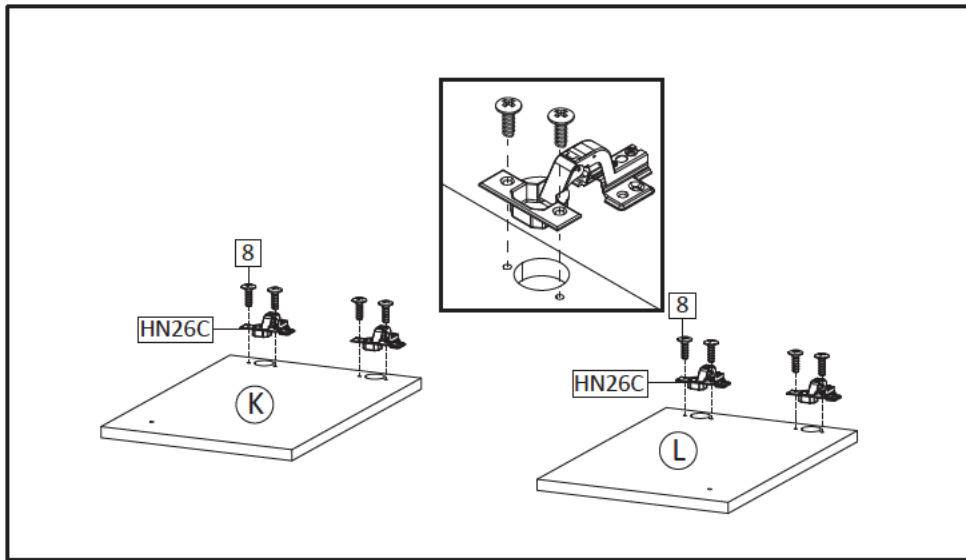
STEP10: Place Anti Deflection Metal Bar (HW US140) , secure with screw M 6 x12.5 (HW9) using screwdriver.



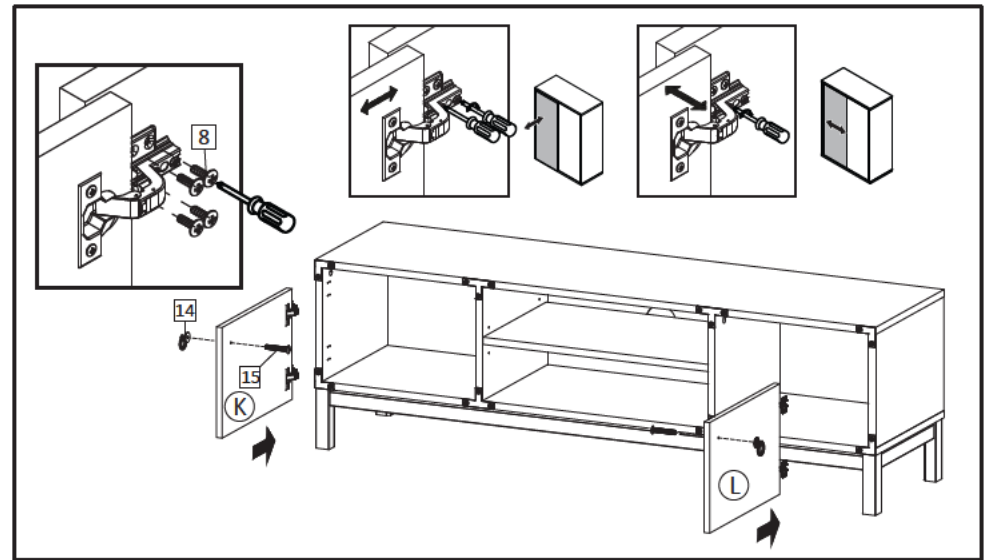
STEP11: Bring the media stand upright. Install Plat L (HW18), Plat T(HW19) into the provided holes at front edges of the media stand. Secure with screw M 6.4x14mm (HW17),tighten using Allen Key (HW7).



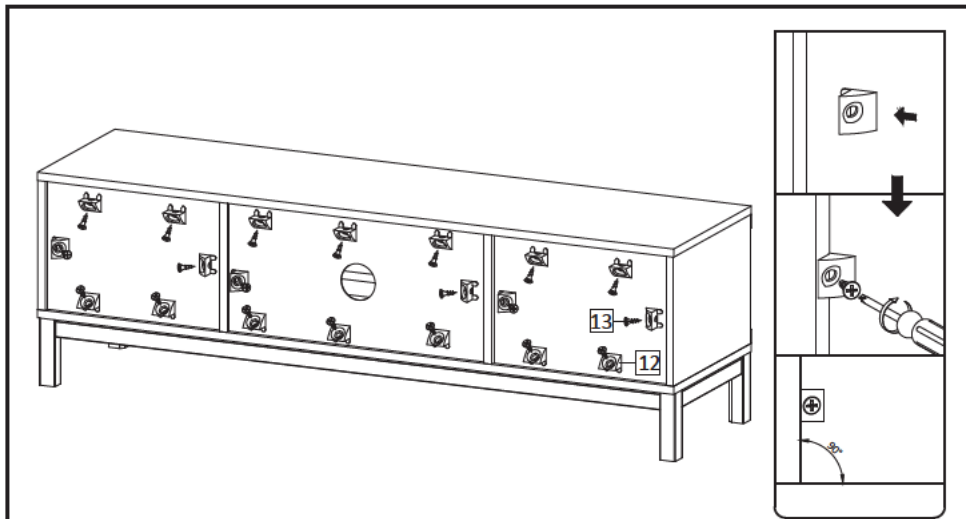
STEP12: insert Shelf Pin (HW3) into the between Centerboards on the desired level. Then place the Adjustable Shelf (J) onto the Shelf Pin.



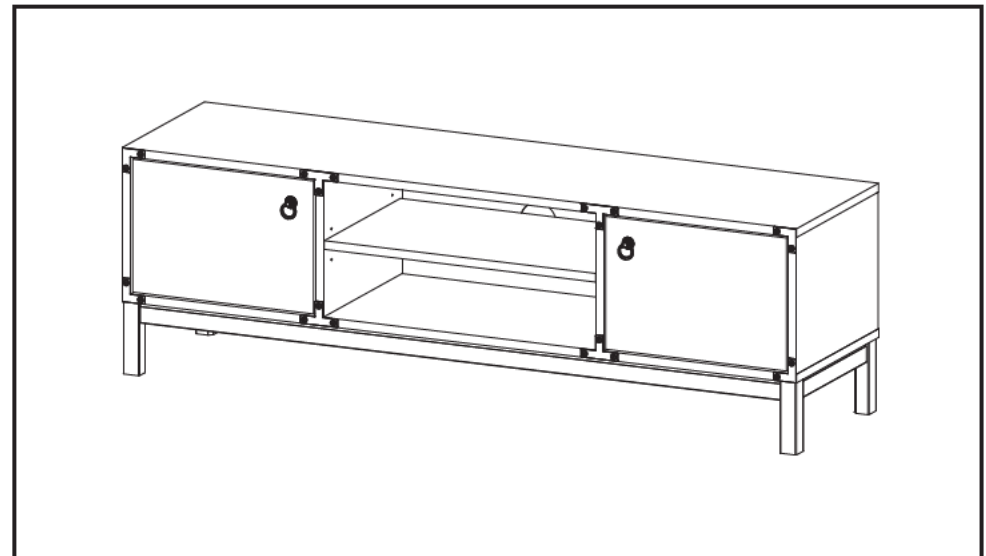
STEP13: Insert Hinge (HW HN26C) into pre-hole in Door Left (K) and Door Right (L). Secure with Screw M4.5 x 12.5 (HW8).



STEP14: Install Door Left (K), Right (L) into Side Board Left and Side Board Right. Secure with Screw M4.5 x 12.5 (HW8). Please refer to the last page for more guide on how to adjust hinges.



STEP15: Use Wedge (HW12), Screw M 3.5 x15.5 (HW13) to tighten the back of media stand by using screwdriver. Please align the top board and bottom board in 90° position against the side board, before securing the wedges (HW12)



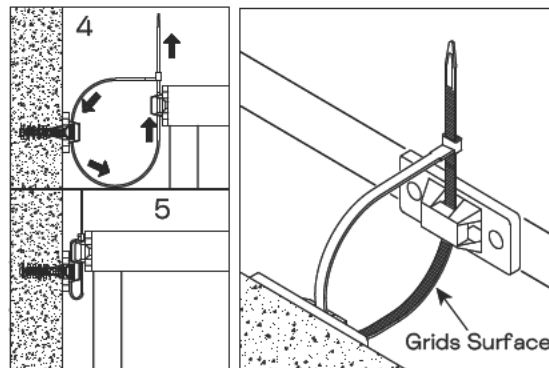
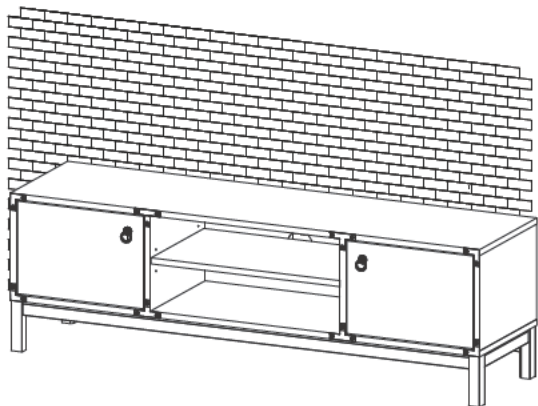
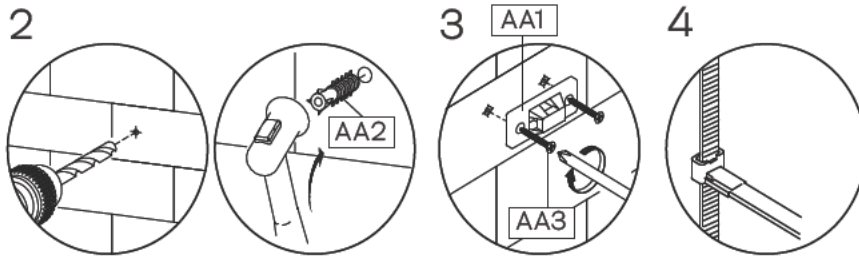
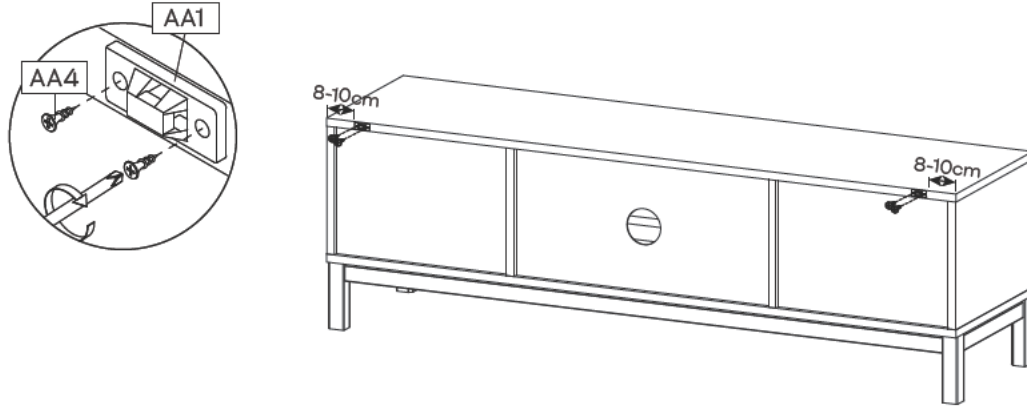
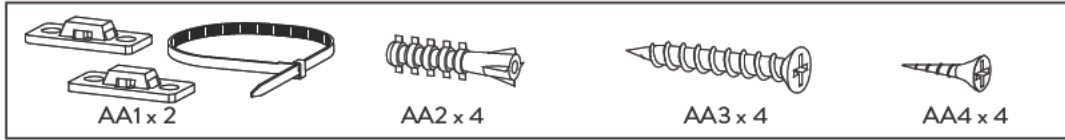
STEP16: Assembly is complete.

TIPPING RESTRAINTS KIT INSTALLATION GUIDANCE

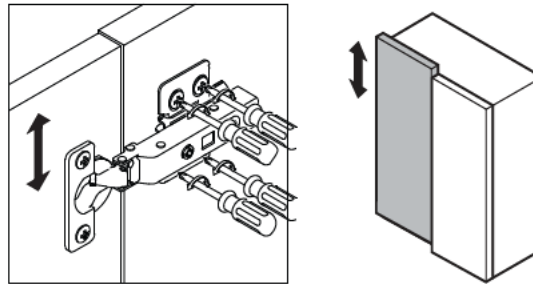
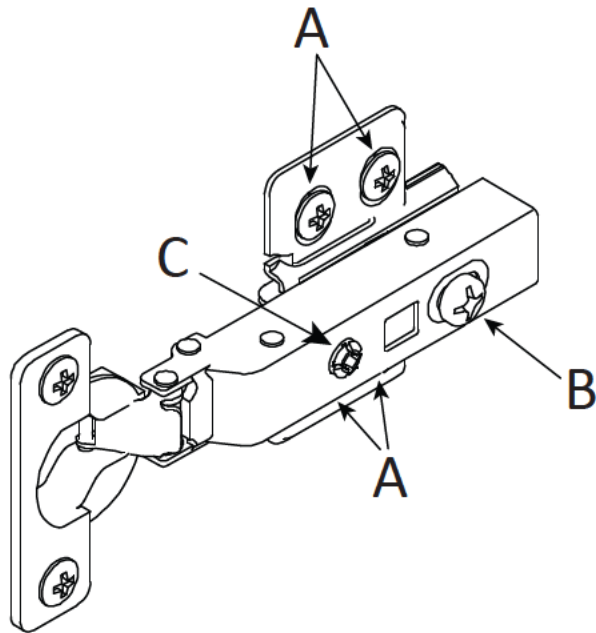
Different wall materials require unique wall fasteners.

The wall plugs (AA2) and screws (AA3) are designed for fixing to concrete walls only.

Please consult your local hardware store to ensure you are using the correct hardware for your wall type.

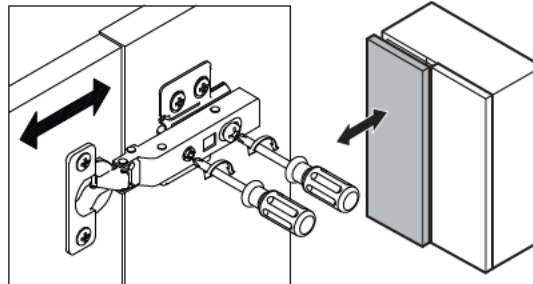


HOW TO ADJUST HINGES



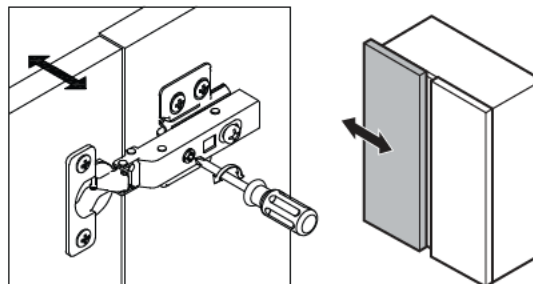
To adjust the vertical height.

Loosen the four screws "A" on both hinges. Two of them are usually in slotted holes which allows you to adjust up or down by few mm. Then tighten back up.



To adjust depth.

Loosen screw "B" and adjust door, if the door can not be adjusted, please loosen screw "C", then try again. Tighten screw "B" and "C".



To adjust side ways.

Turn the screw "C" on BOTH hinges on each door.