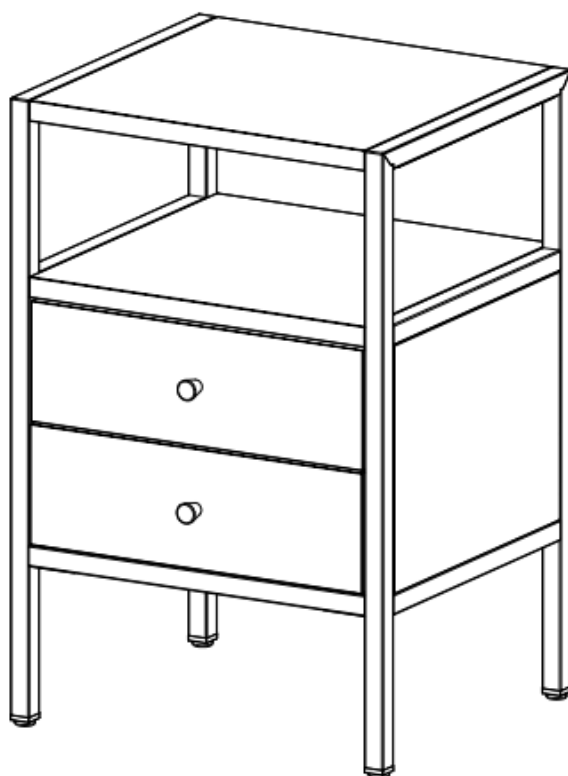


Bedside Table

Assembly Guide



IMPORTANT: please read these instructions fully before starting assembly



**SAFETY AND
CARE ADVICE**



NO POWER TOOLS

- Check you have all the components and tools listed
- Remove all fittings from their bags and separate into groups
- We do not recommend use of power tools - this could damage the unit. Only use hand screwdrivers and Allen keys
- Keep children and animals away from the work area, small parts could cause choking if swallowed
- Make sure you have enough space to lay out the parts before starting
- Assemble the item as close to its final position (same room) as possible
- Do not over tighten the nuts to avoid damage to the threads
- Only clean using a damp cloth and mild detergent. Do not use bleach or abrasive cleaners
- From time to time, check there are no loose screws in this unit
- This product should not be discarded with household waste. Take to your local authority waste disposal centre

IMPORTANT INFORMATION



30 Minute
Build



Two Person
Build



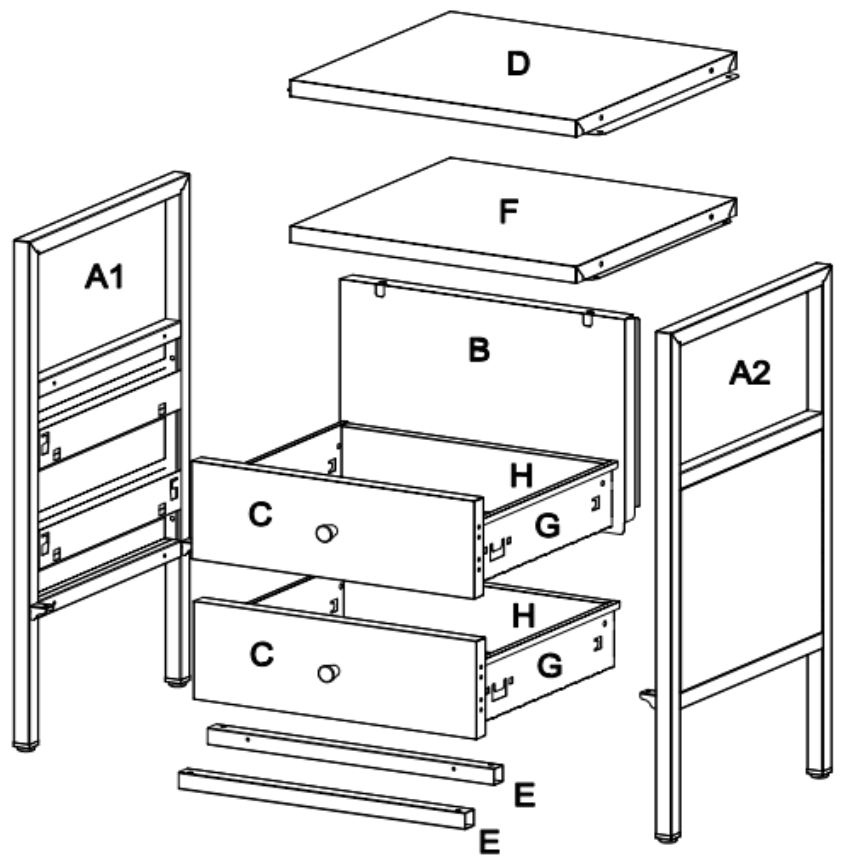
Max Weight
Capacity
40kg





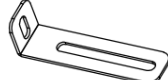




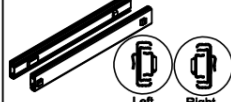
Note: Assembly estimates are approximate and can differ based on the specific environment and user experience.

WHAT'S IN THE BOX

Note: the quantities are the correct amount to complete the assembly. In some cases more fixings may be supplied than are required.

No.	Size	Qty
A1	595x350x20mm	1
A2	595x350x20mm	1
B	359x254.5x22mm	1
C	356x116x20mm	2
D	383x350x20mm	1
E	360x20x20mm	2
F	360x350x20mm	1
G	333x320x79mm	2
H	332x78x15mm	2



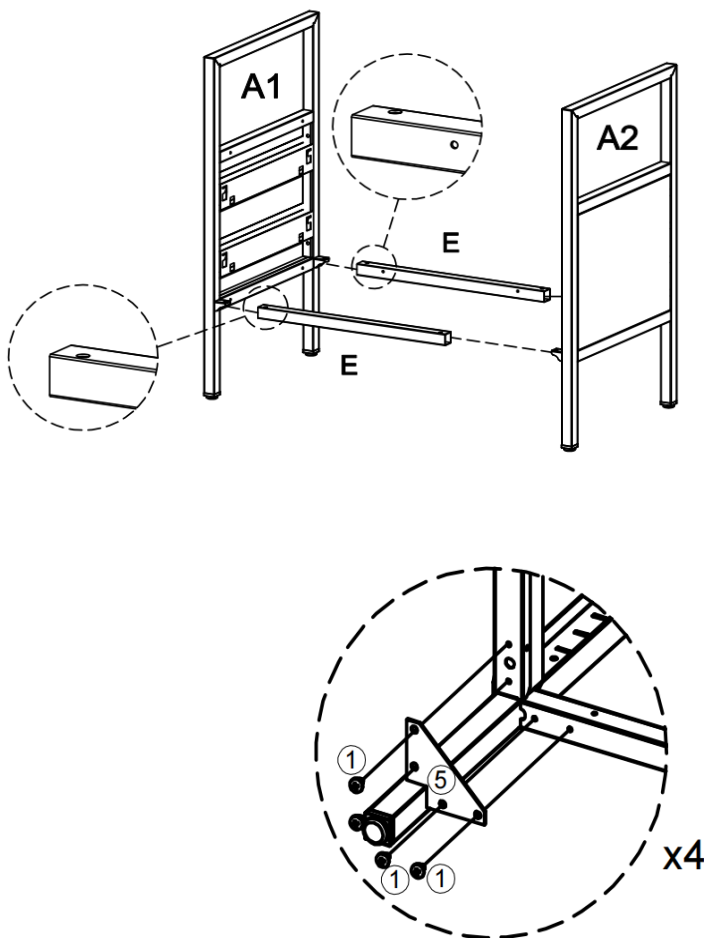
① x20  Ø5*12mm	② x2  Ø4*6mm	③ x2  Ø9*0.8mm	④ x4  62*62mm	⑤ x2  75 x 15 mm
⑥ x2 	⑦ x20  Ø5*10mm	⑧ x2  Ø8*38mm	⑨ x2  Ø4*38mm	⑩ x2 sets  Left Right 2 pcs 2 pcs


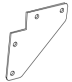
- Work on a flat, clean surface to prevent scratches or uneven assembly.
- Insert and align all fixings first, then tighten them evenly.
- Do not over-tighten, as this may damage parts.
- Lift and position the tabletop with two people to avoid damage.
- Attach rods to the tabletop using the stopper end only to prevent damage.

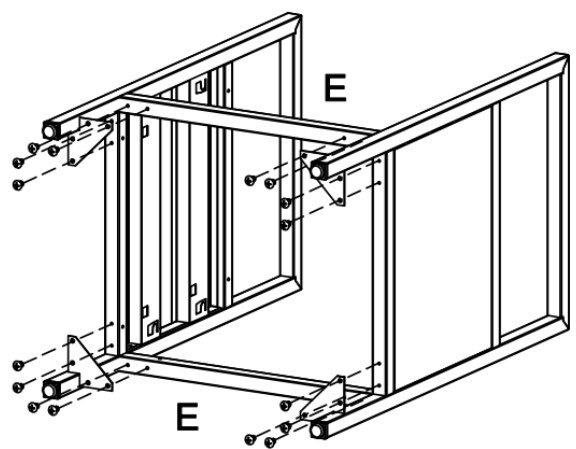
STEP 1

Insert two connecting tubes (E) into the side panel (A1&A2)

Fix the fixing plate (4) at the bottom four corners with screws (1)

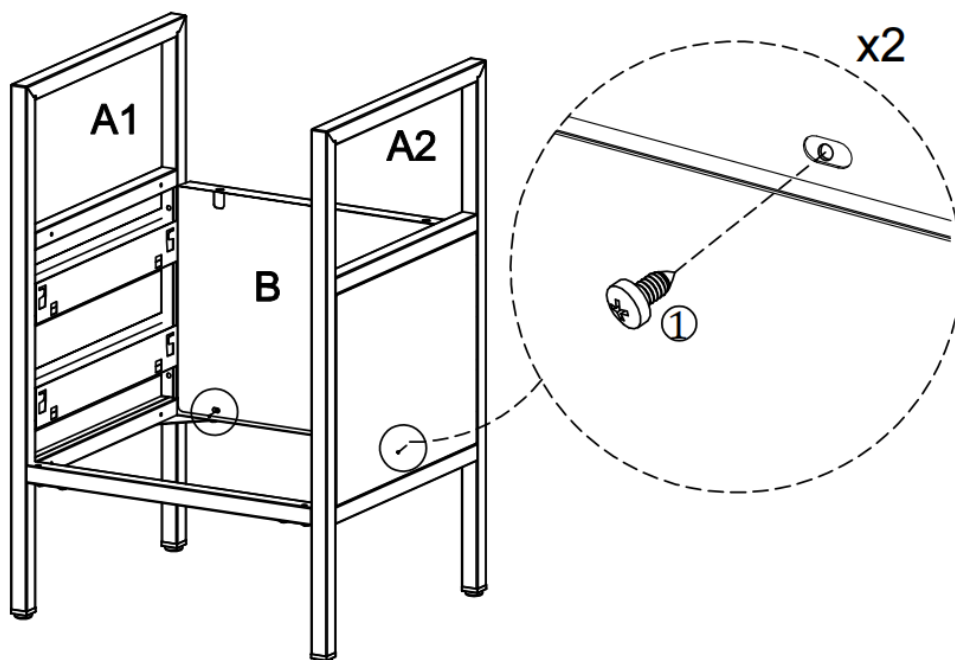



Hardware	Pieces
	16
	4



STEP 2

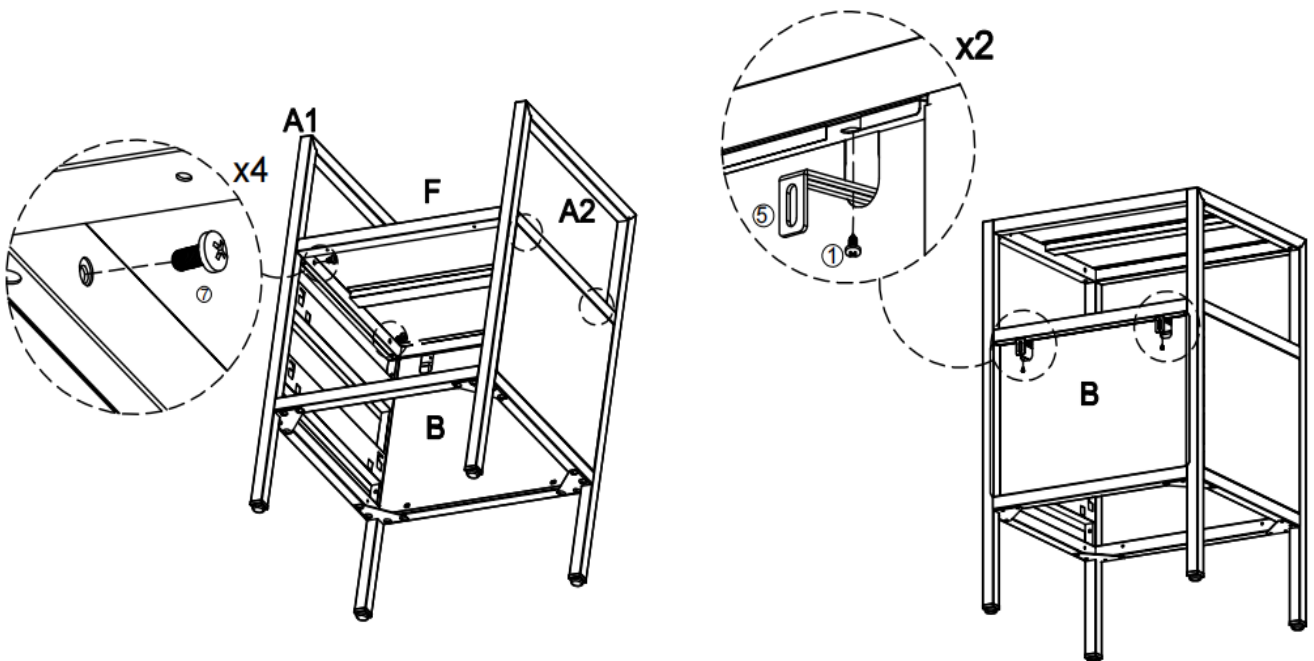
Place the back panel(B) on the connecting tubes (E) as shown in the picture. Fix with screws (1).






Hardware	Pieces
	2

STEP 3

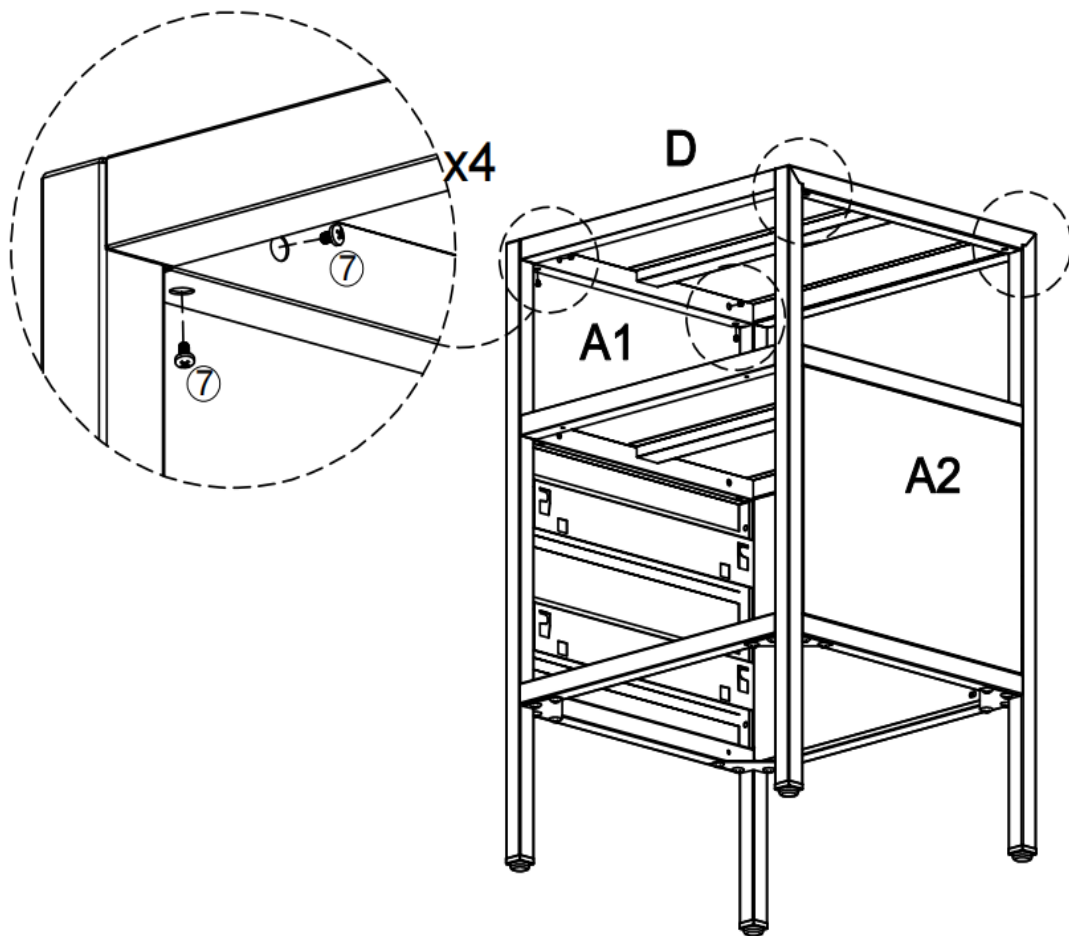
Place the shelf (F) and fix it with screws (7). Fix the anti-tipping device (5) with screws (1)




Hardware	Pieces
	2
	4
	2

STEP 4

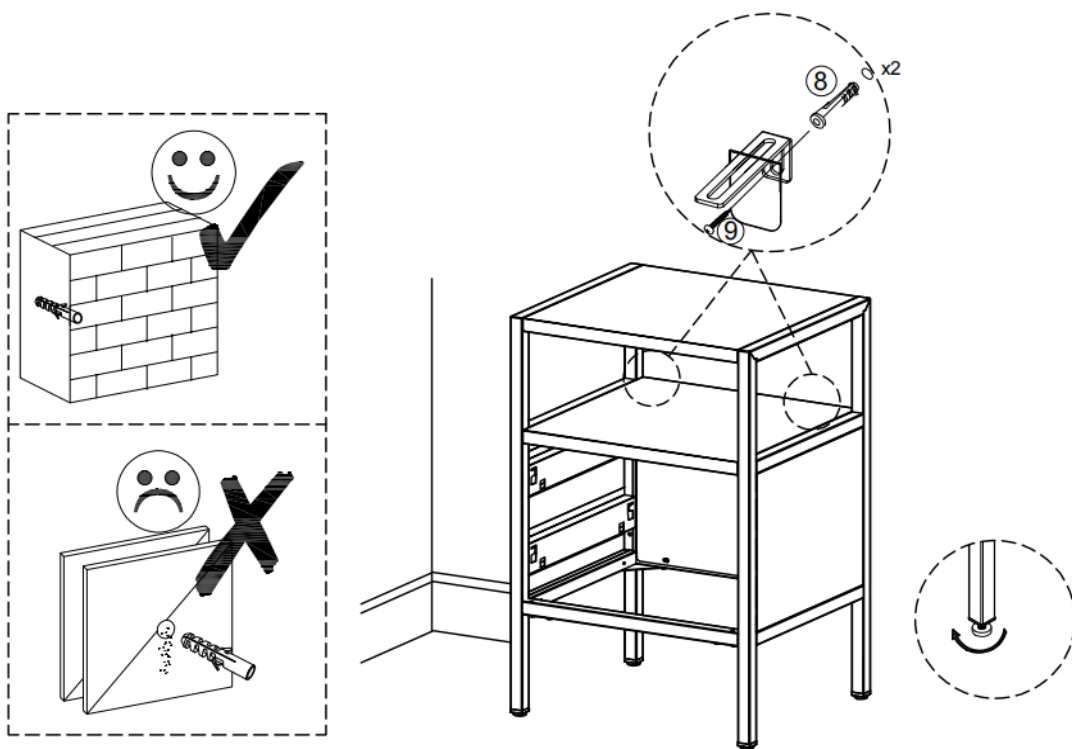
Place the top plate (D) above the two side plates (A1&A2). Fix with screws (7)





Hardware	Pieces
	8

STEP 5

Before installing the drawer, please use expansion tube (8) and expansion screw (9) fix the cabinet to the wall.

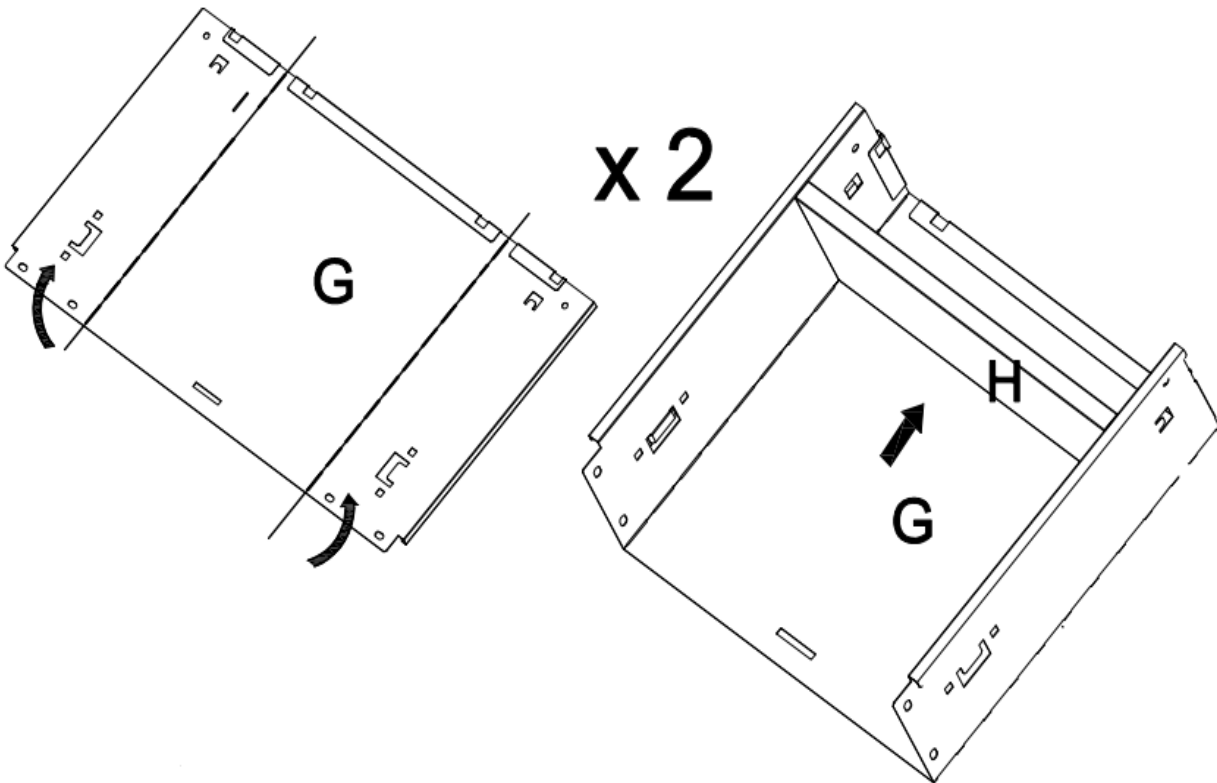


Hardware	Pieces
	2
	2

STEP 6

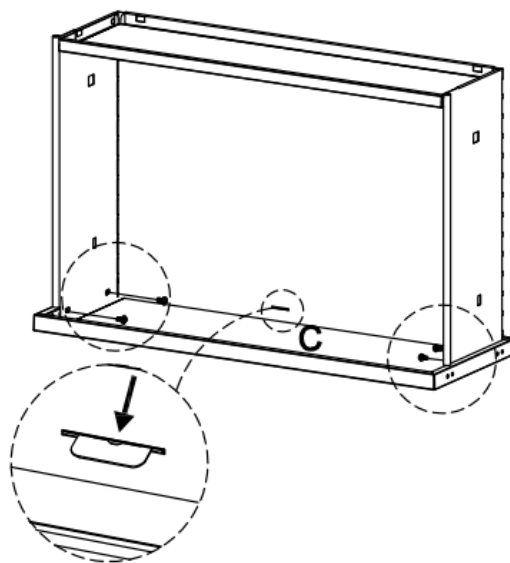
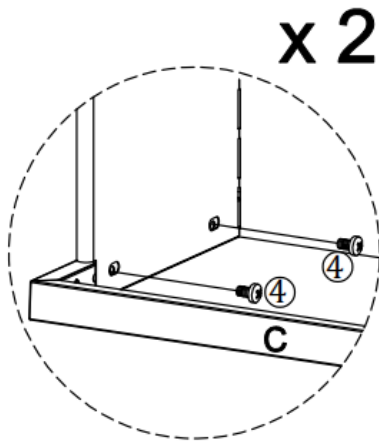
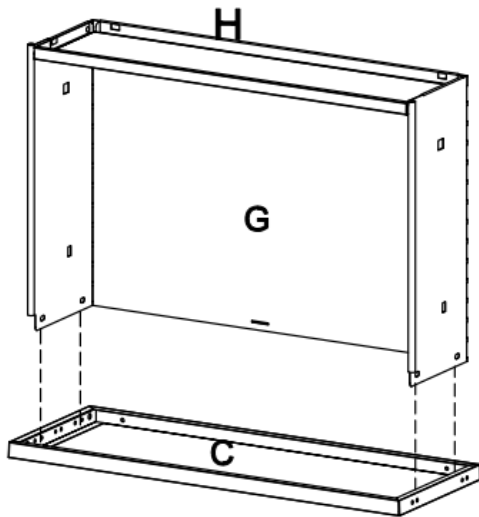
Fold the drawer bottom (G) inward, and then insert the drawer back plate (H) into the slot on the drawer bottom (G) to fix it.

Repeat this step 2 times.



STEP 7

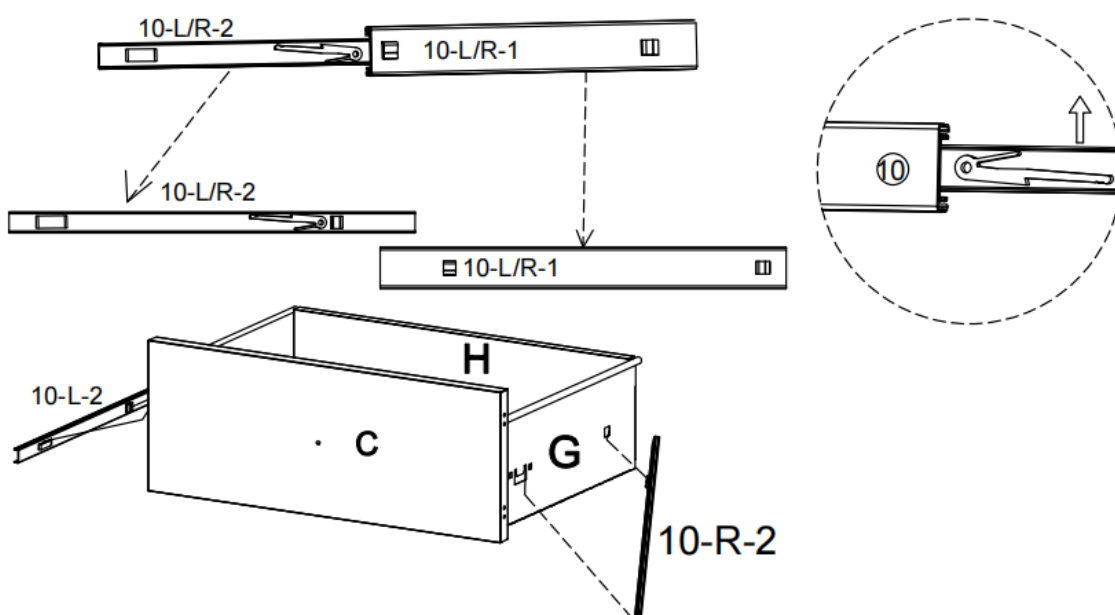
Insert the protrusion inside the drawer panel (C) into the opening of the drawer bottom (G), and fold the iron sheet towards the drawer panel (C) direction. Then fix with screws (4)
Repeat this step 2 times.



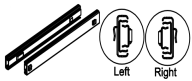
Hardware	Pieces
	8

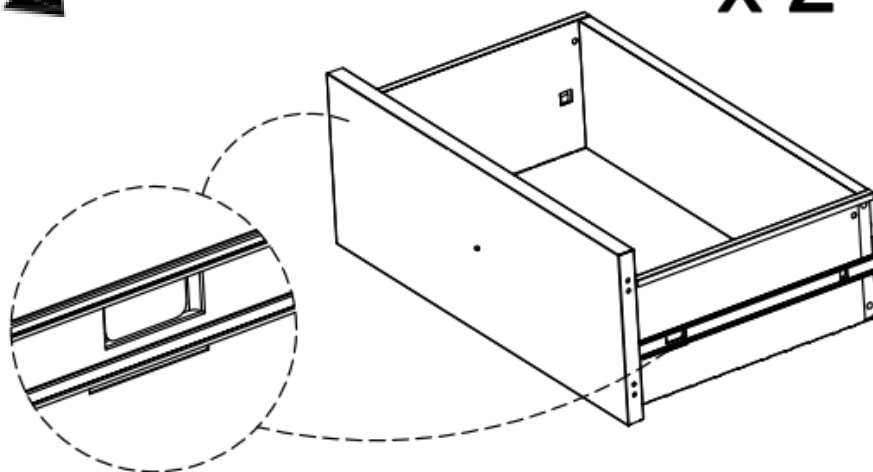
STEP 8

Divide the slide rail (10) into two according to the diagram, and hang the inner rail (10-L&R-2) onto the drawer side panel (G)
Repeat this step 2 times.



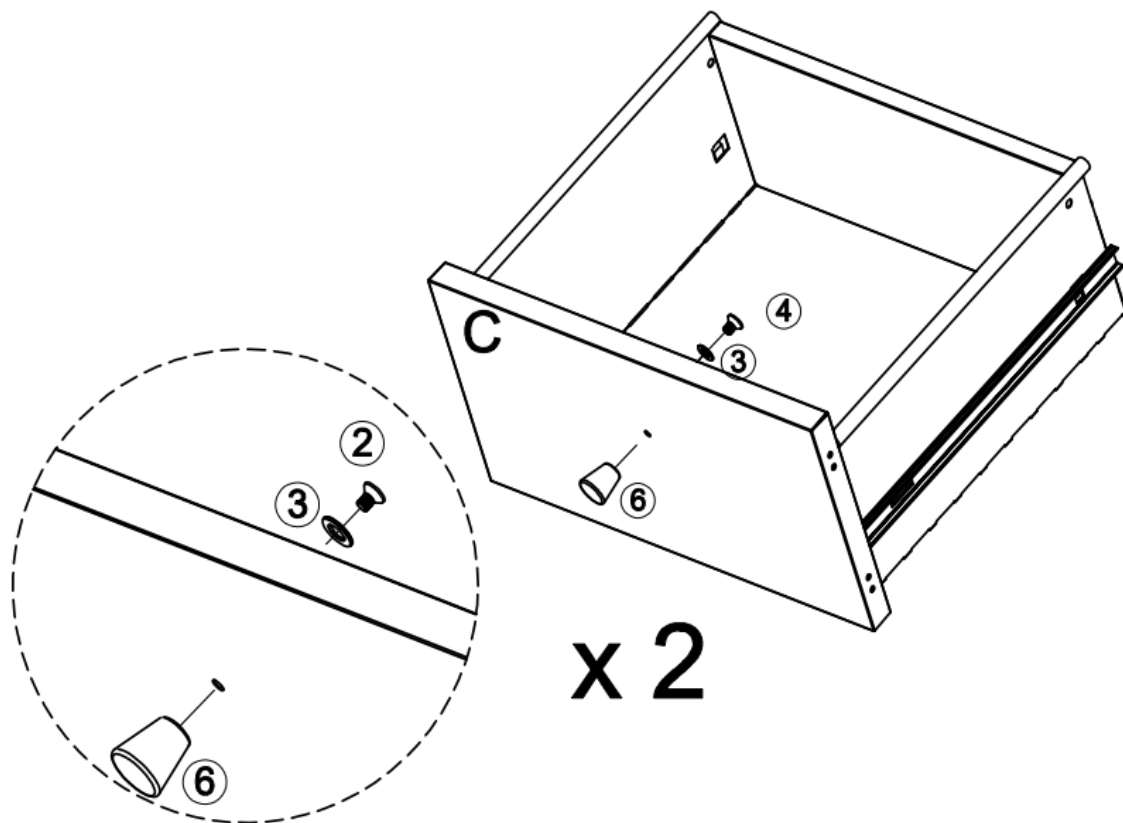
x 2

Hardware	Sets
	2



STEP 9

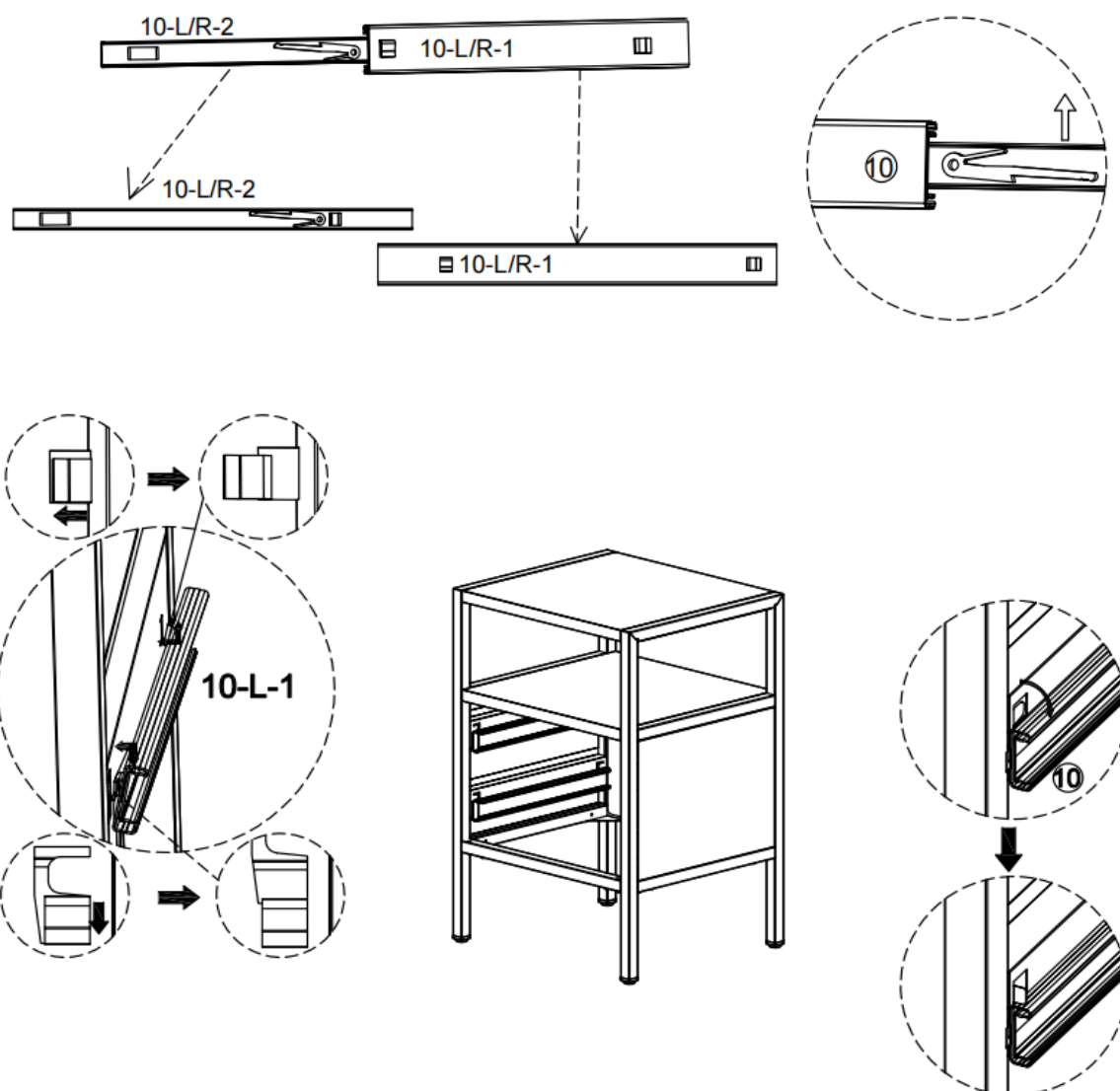
Install the handle (6) on the drawer panel (C) with screws (2) and screw washers (3)



Hardware	Pieces
	2
	2
	2

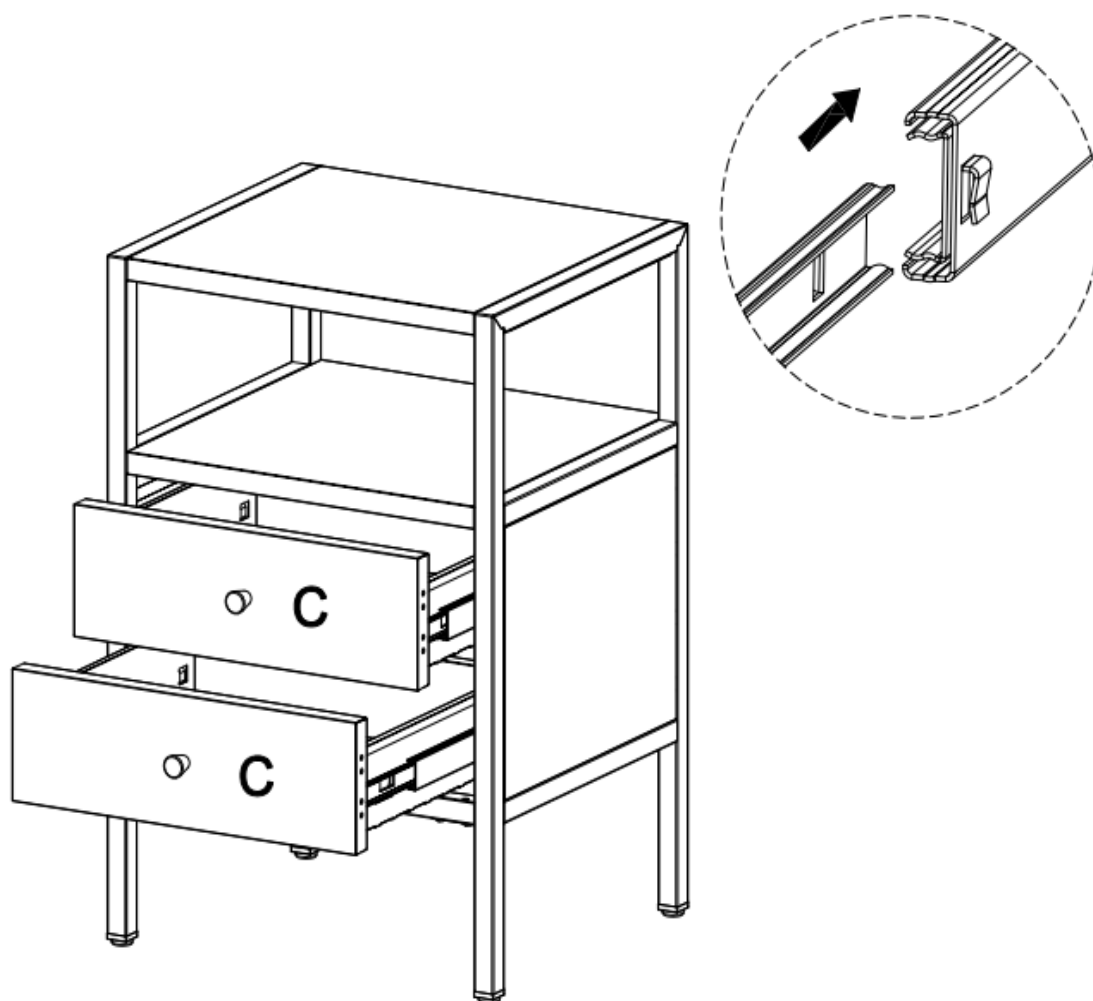
STEP 10

Hang the outer rail (10-L/R-1) onto the cabinet side panel (A1&A2) according to the diagram.



STEP 1 1

Align the inner rail of the drawer with the outer rail, push the drawer inward, and complete the installation.





our 2 year GUARANTEE

Our products come with a 2 year guarantee, giving you extra peace of mind when shopping with us

What the guarantee covers



PRE-INSERTED FIXINGS



FAULTY JOINTS



EXTERNAL FIXING FAULTS



STRUCTURAL INTEGRITY
