

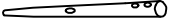



# ASSEMBLY INSTRUCTION

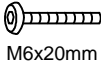
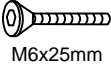
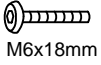

## Bar Stool



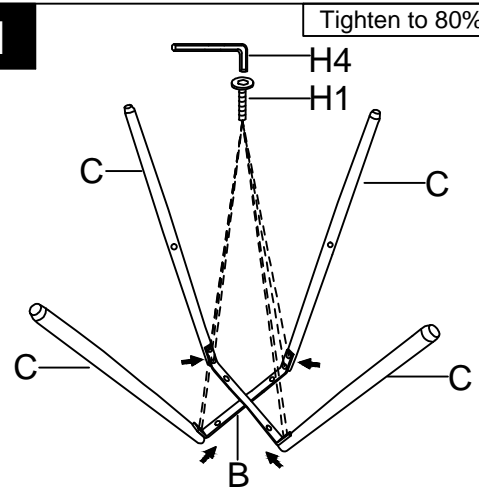
### Component List

LABEL	IMAGE	DESCRIPTION	QTY
A		Chair Seat	1
B		Cross Frame	1
C		Leg	4
D		Leg Ring	1

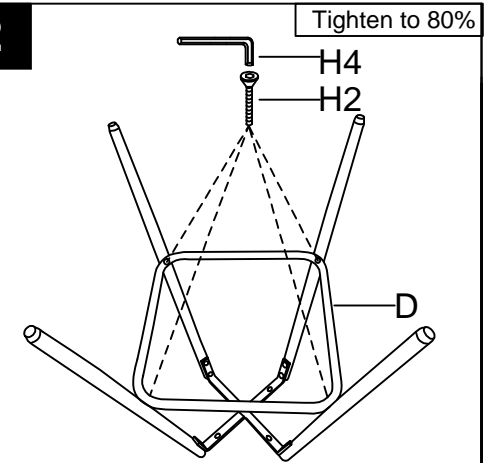
### Hardware List

H1	 M6x20mm	Bolt	8
H2	 M6x25mm	Bolt	4
H3	 M6x18mm	Bolt	4
H4		Allen Key	1

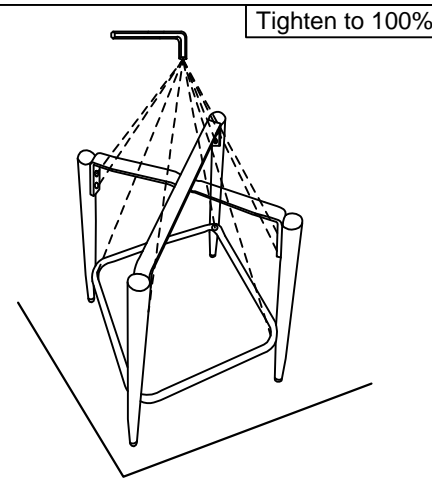
1



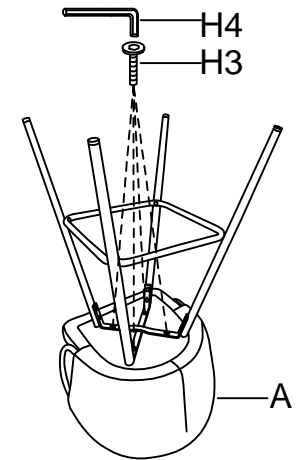
2



3



4



5

