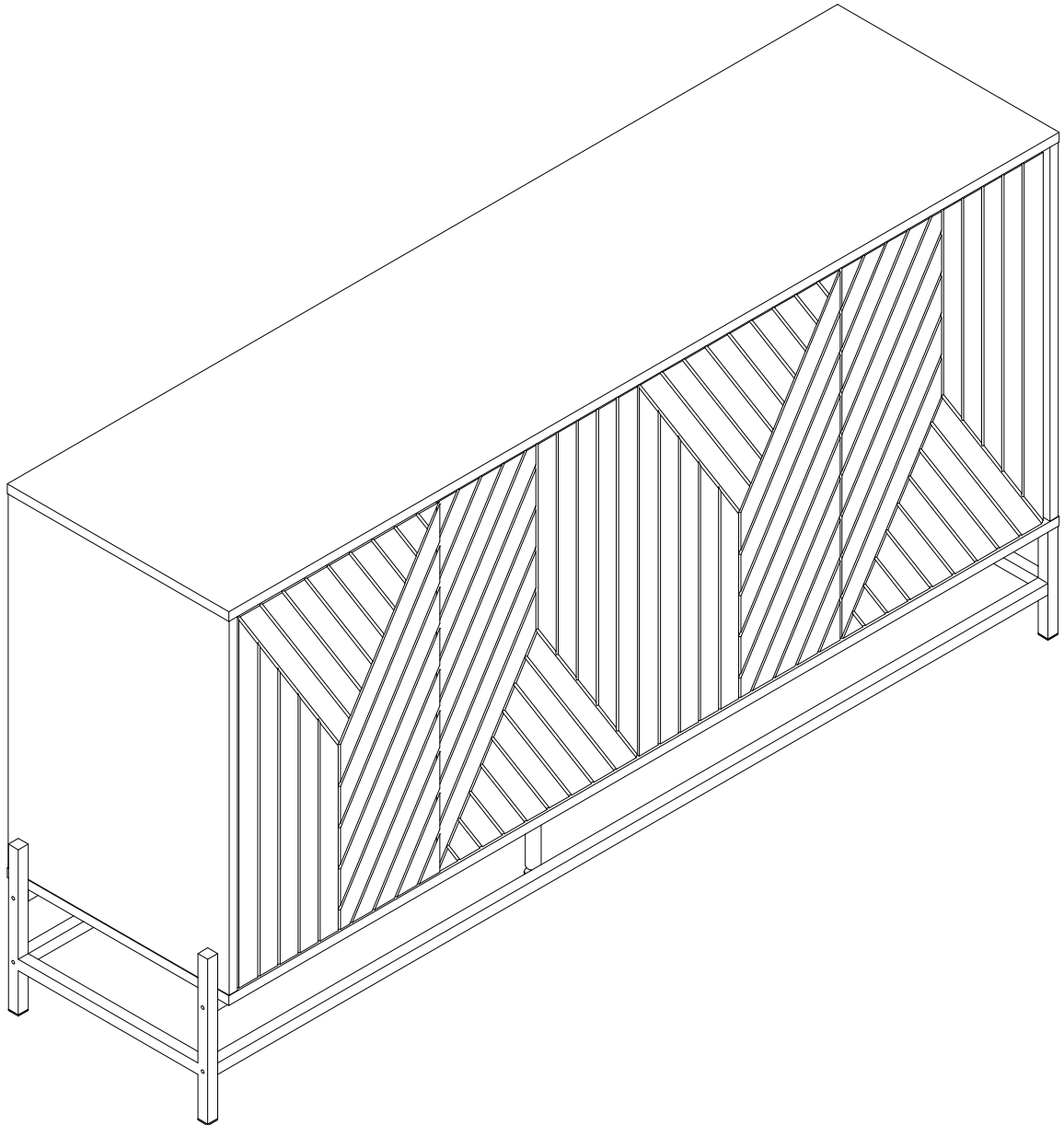


Installation Instruction



Product name

4 Door Cabinet

Ver.1.0 20250625

- Do not use power tools to assemble your furniture. Power tools may strip or damage the parts.



Friendly Reminder:

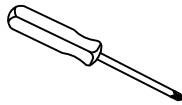
Assembling with damaged panels may affect after-sales service. Please check the integrity of all panels before assembly. If any damage is found:

- ✓ Take photos of the damaged area from multiple angles (preferably under natural light)
- ✓ Keep all packaging materials
- ✓ Do not assemble the product and contact online customer service immediately

Assembling

What you need

- Use the packaging carton as a working surface to prevent product damage during assembly
- Phillips head screwdriver



Weight Limitation



50

lbs table top

|

22

lbs per sheif



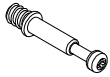
2 PERSONS

What ' s included

Code	Description	Qty
A	Cam Bolt Ø6x35mm	22
B	Cam Lock 15x10mm	22
C	Wooden Dowel Ø6x30mm	16
D	Screw M4x35mm	8
E	Bolt M6x30mm	8
F	Bolt M6x40mm	8
G	Allen Key	1
H	Screw M3x16mm	16
I	Plastic Comer Support	16
J	Screw M4x14mm	56
K	Nylon Strap	2
L	Screw M4x14mm	6
M	Anchor Ø6x30mm	2
N	Metal Gasket	4
O	MetaL Support	8
P	Hinge	4
Q	Door Rebound Device	2
R	Hinge	4

The hardwares

(A)



(B)



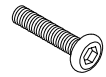
(C)



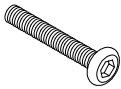
(D)



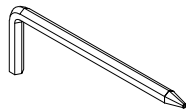
(E)



(F)



(G)



(H)



(I)



(J)



(K)



(L)



(M)



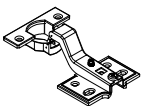
(N)



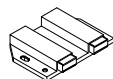
(O)



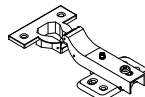
(P)



(Q)



(R)



IMPORTANT:

1. Do not tighten bolts / screws completely until all bolts / screws are lined up and inserted into holes.
2. Do not over tighten screws and bolts to avoid stripping.
3. Please use hand tools to assemble this product. Do not use power tools.
4. Must need 2 people to assemble this product.

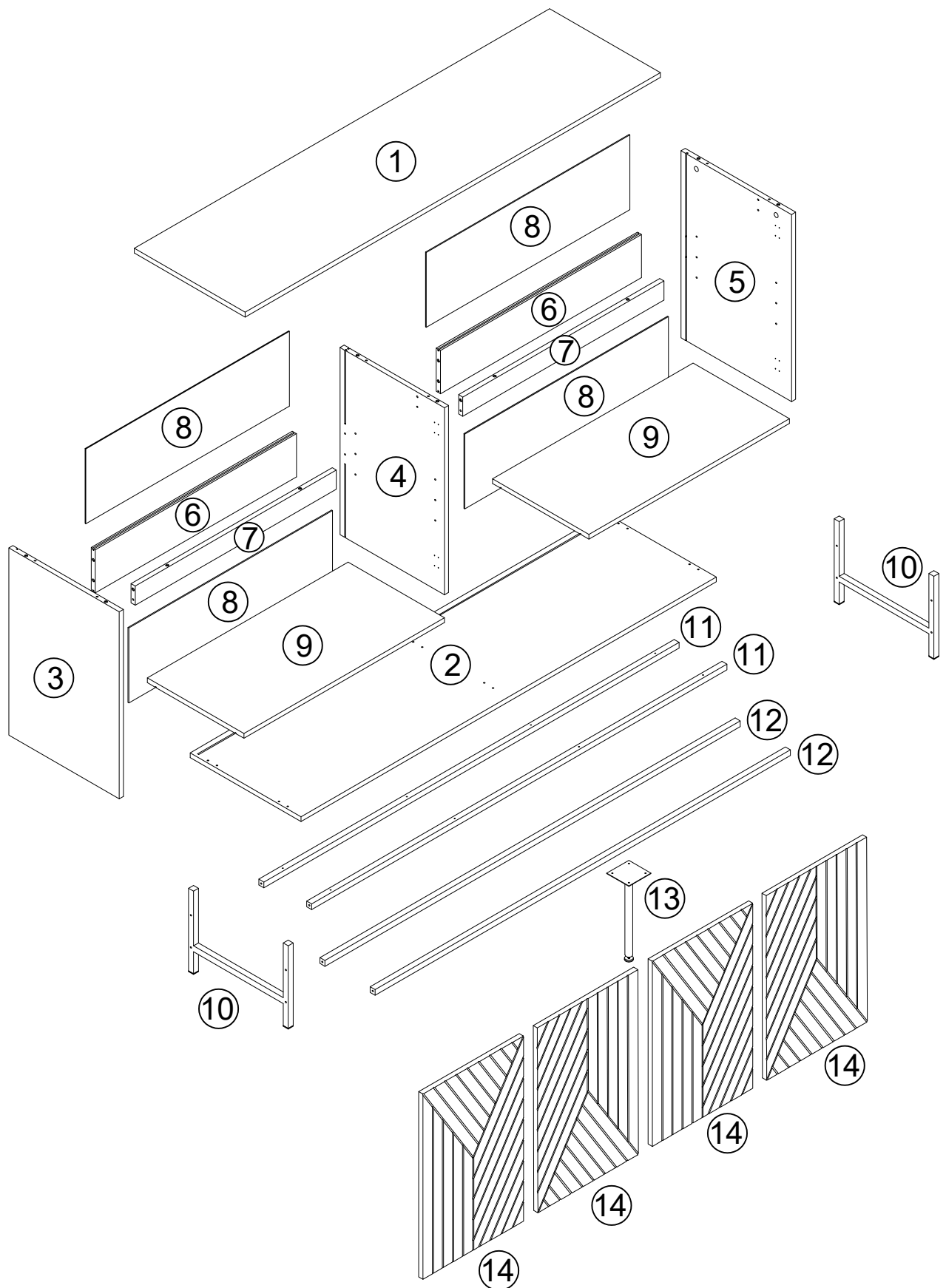


2 PERSONS

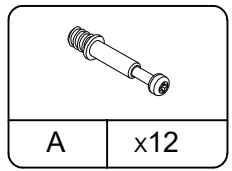
Included Accessories

Code	Description	Qty
1	Cabinet Top	1
2	Bottom Panel	1
3	Left Side Panel	1
4	Middle Division Panel	1
5	Right Side Pane	1
6	Back Stretcher	2
7	Supporting bar	2
8	Back Panel	4
9	Shelf	2
10	Metal Side Frame	2
11	Metal Stretcher	2
12	Metal Stretcher	2
13	Supporting leg	1
14	Door	4

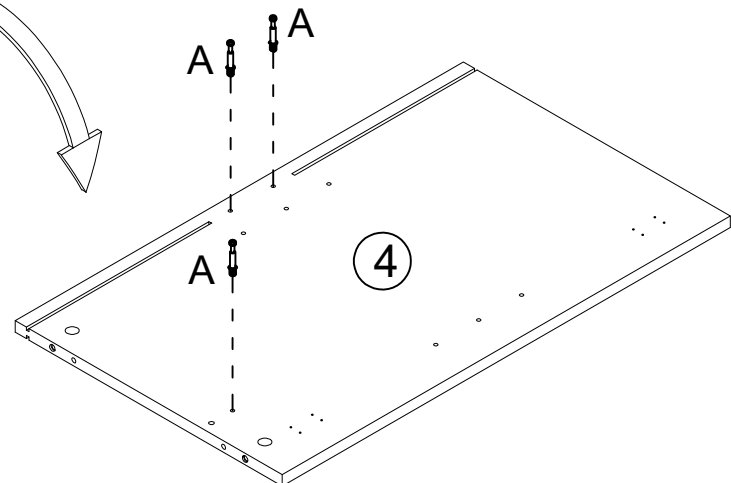
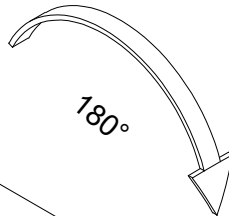
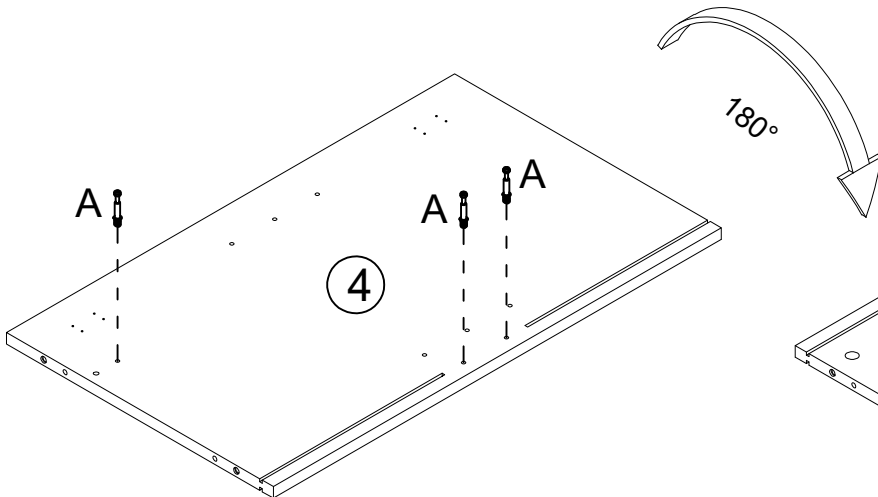
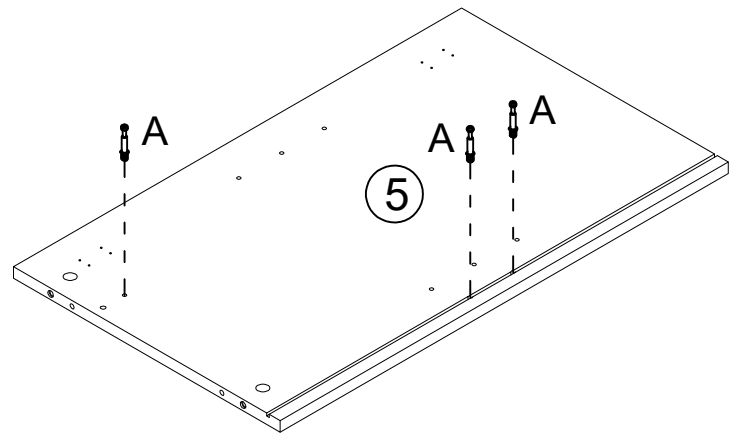
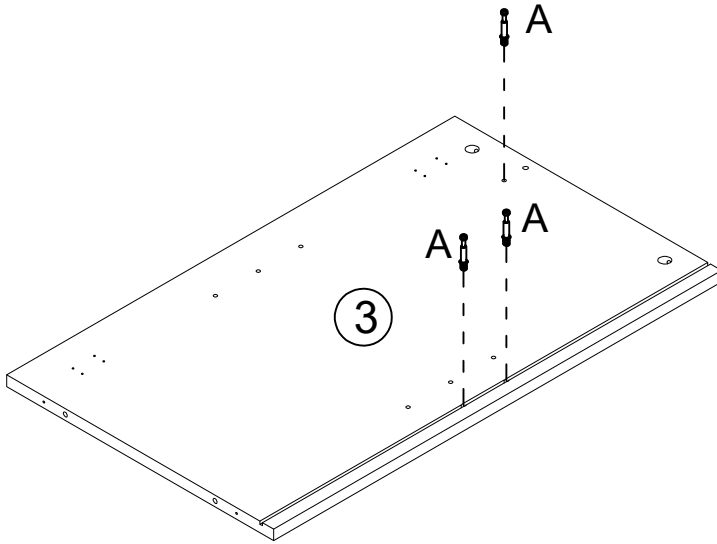
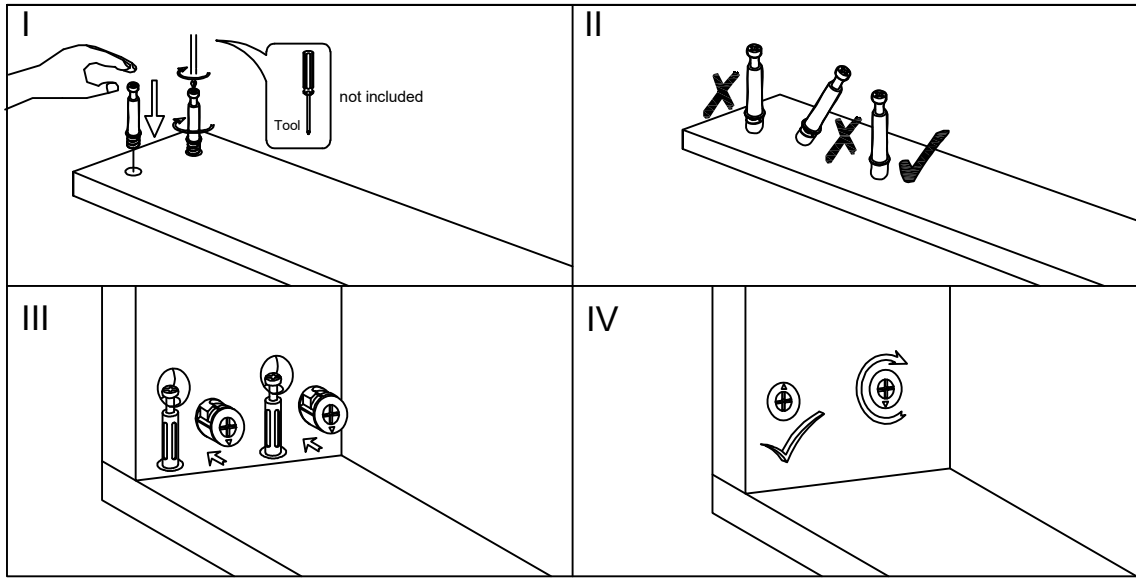
The Accessories



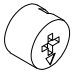

Step 1

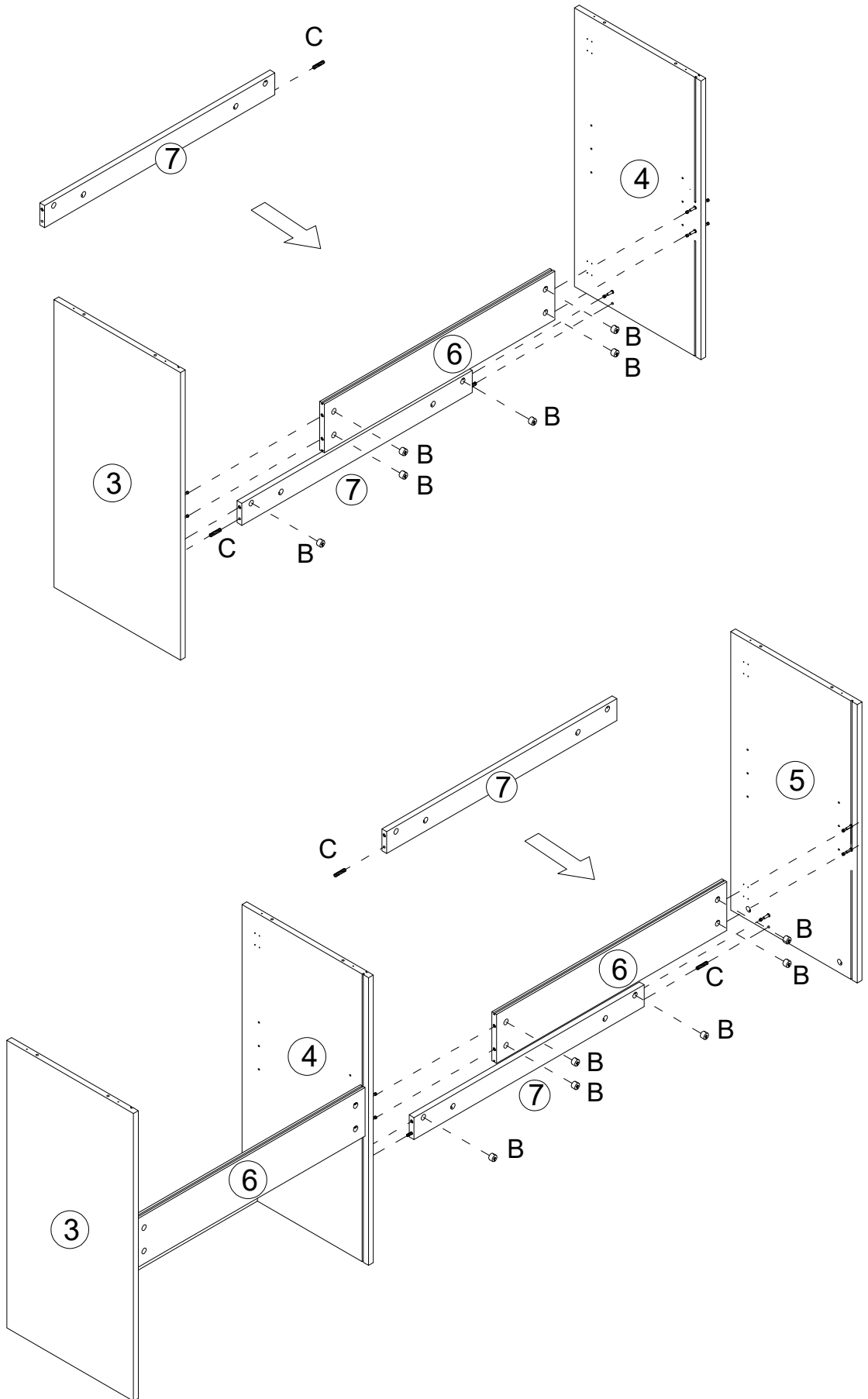


NOTED:

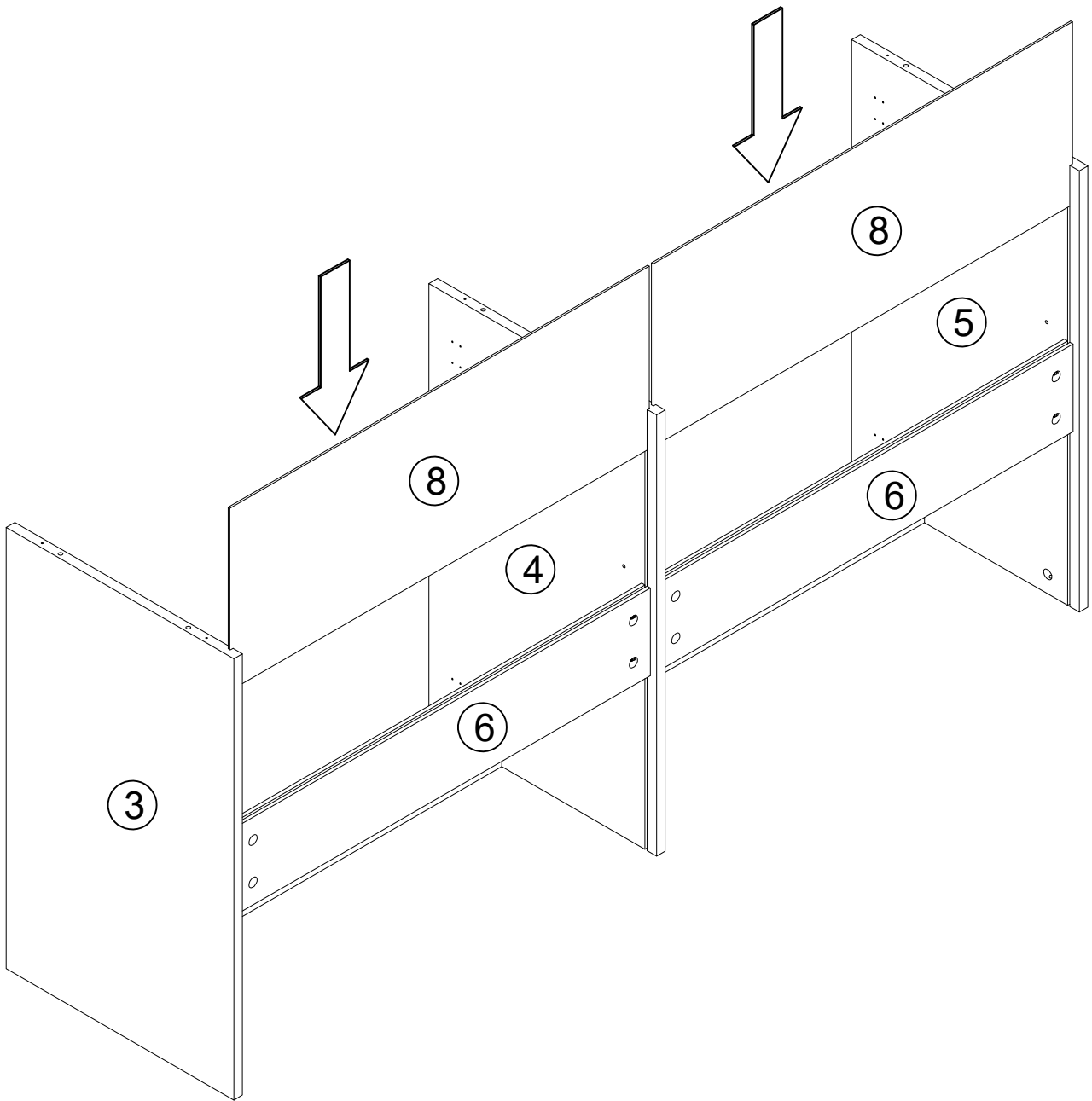


Step 2

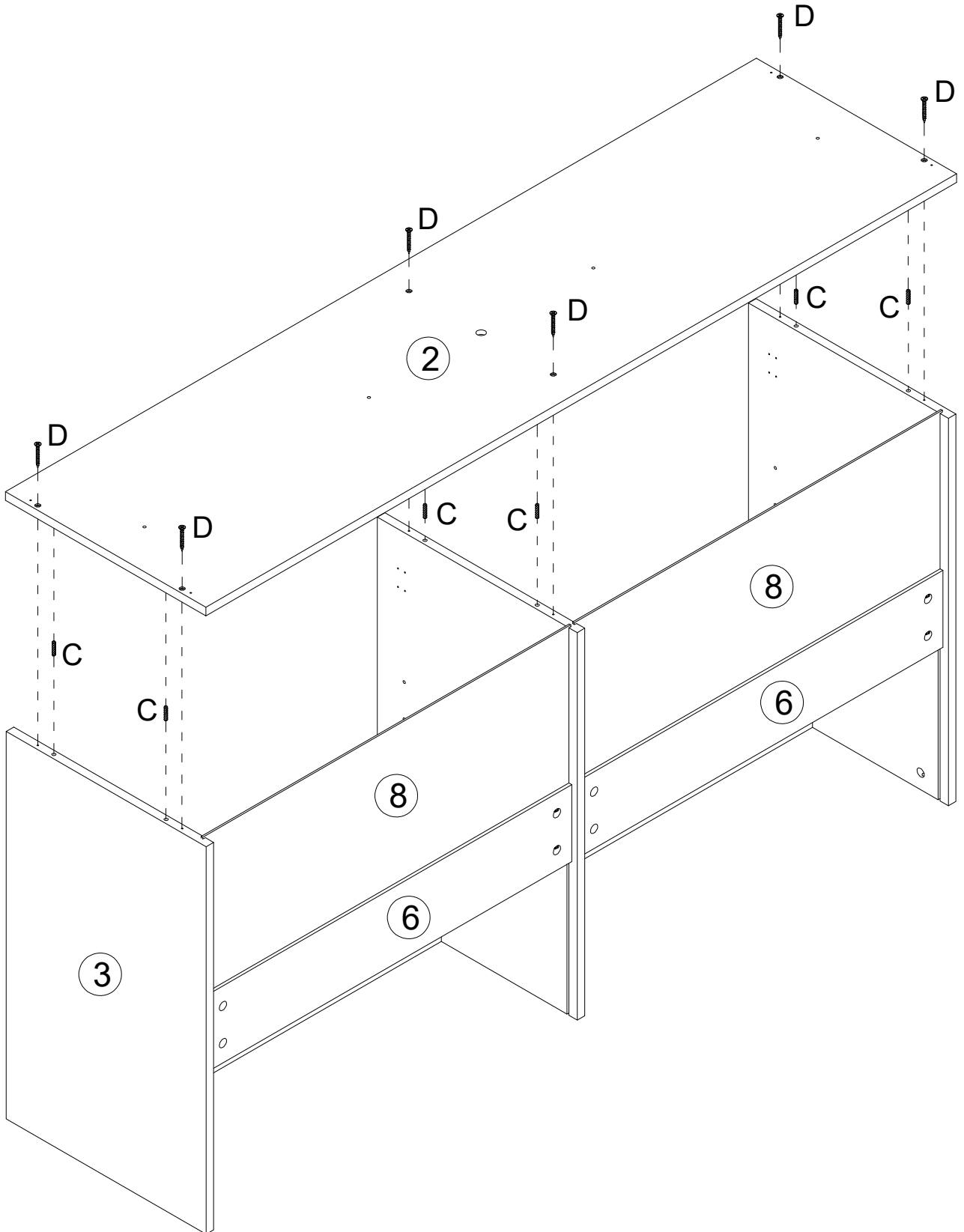
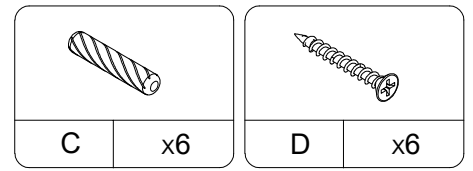
	
B	x12
C	x4



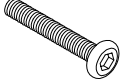
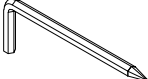
Step 3

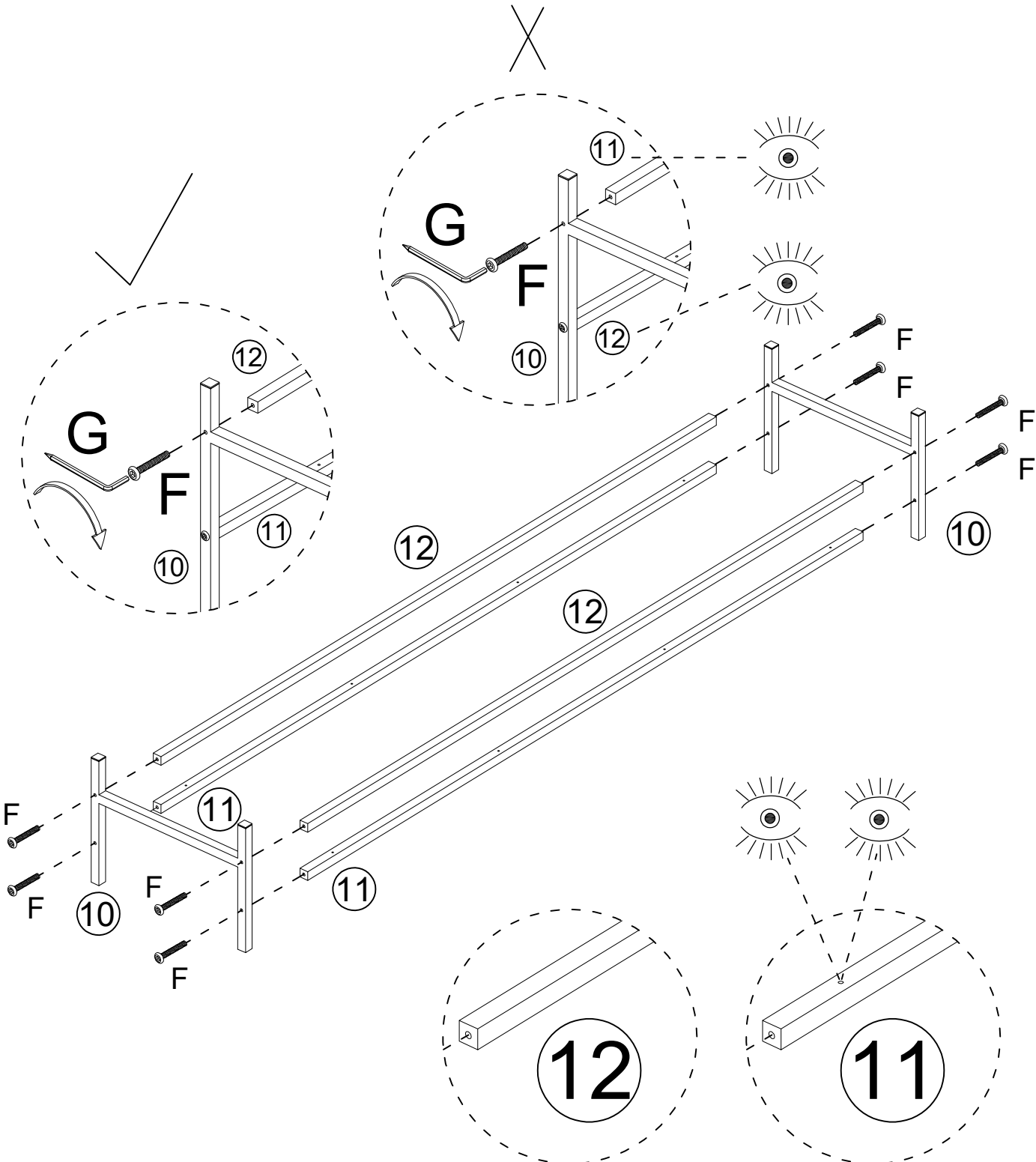


Step 4

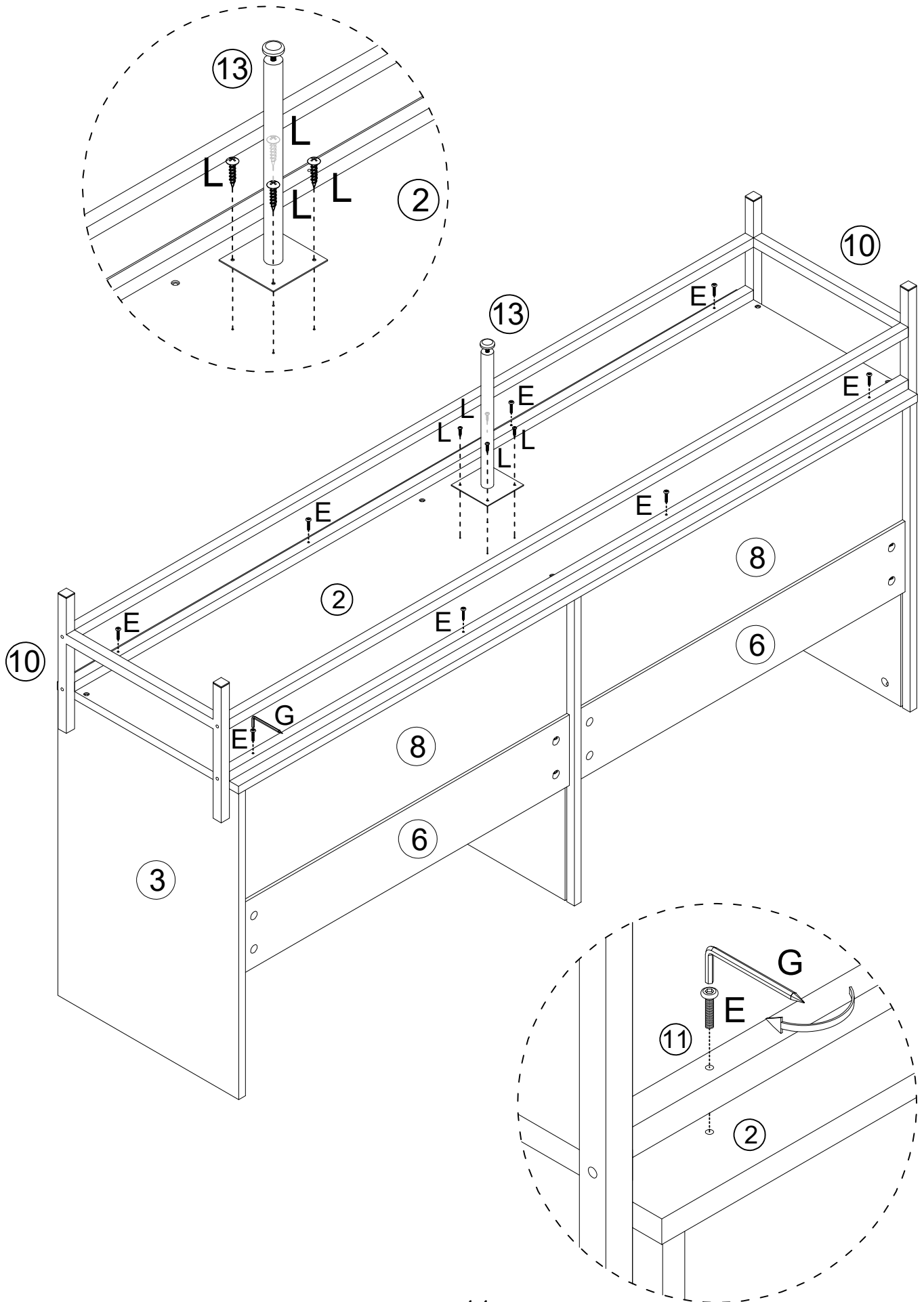
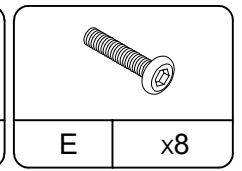
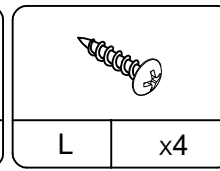
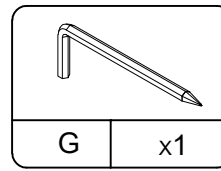


Step 5

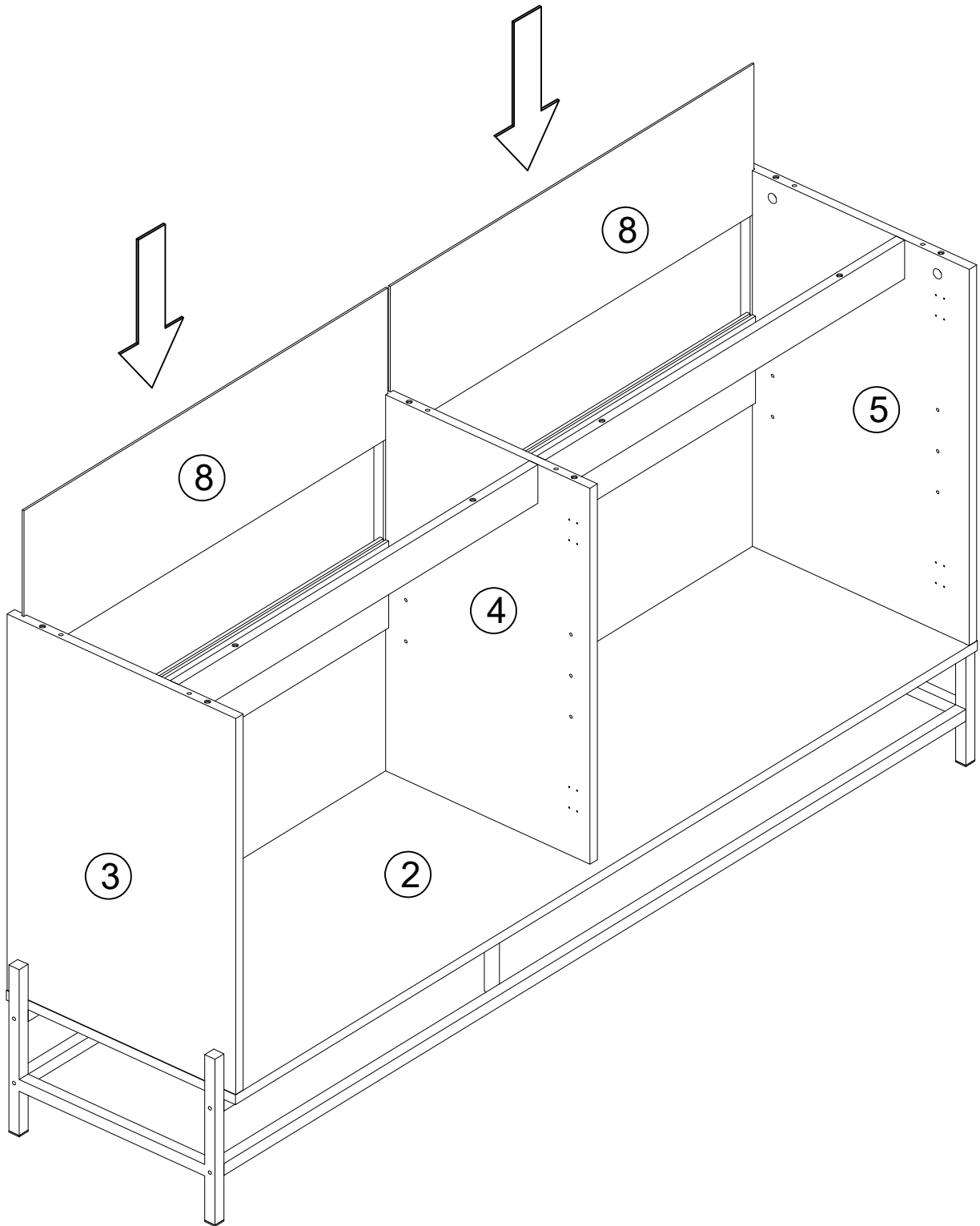
	
F	x8
G	x1



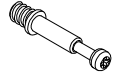

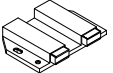
Step 6

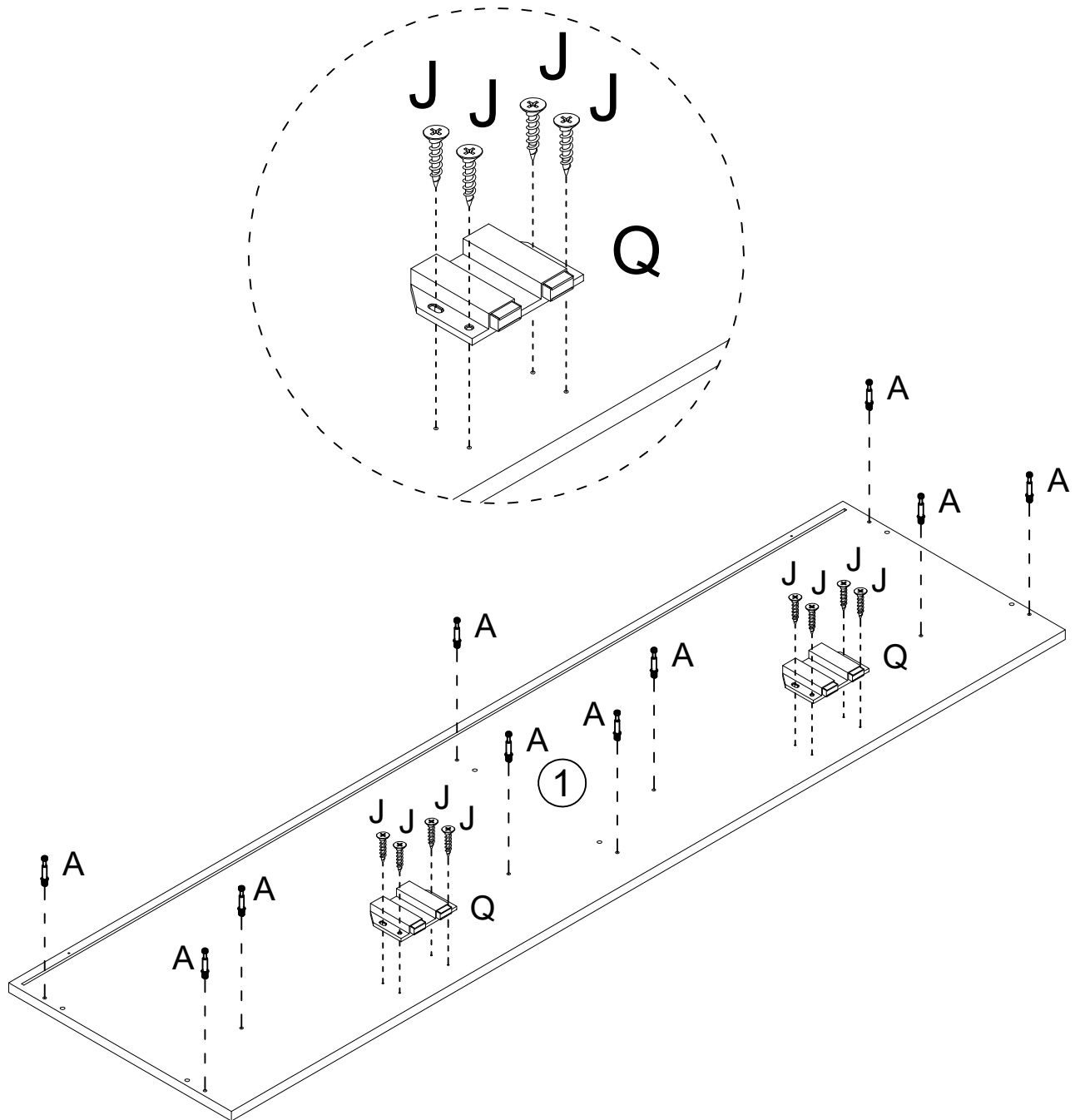


Step 7

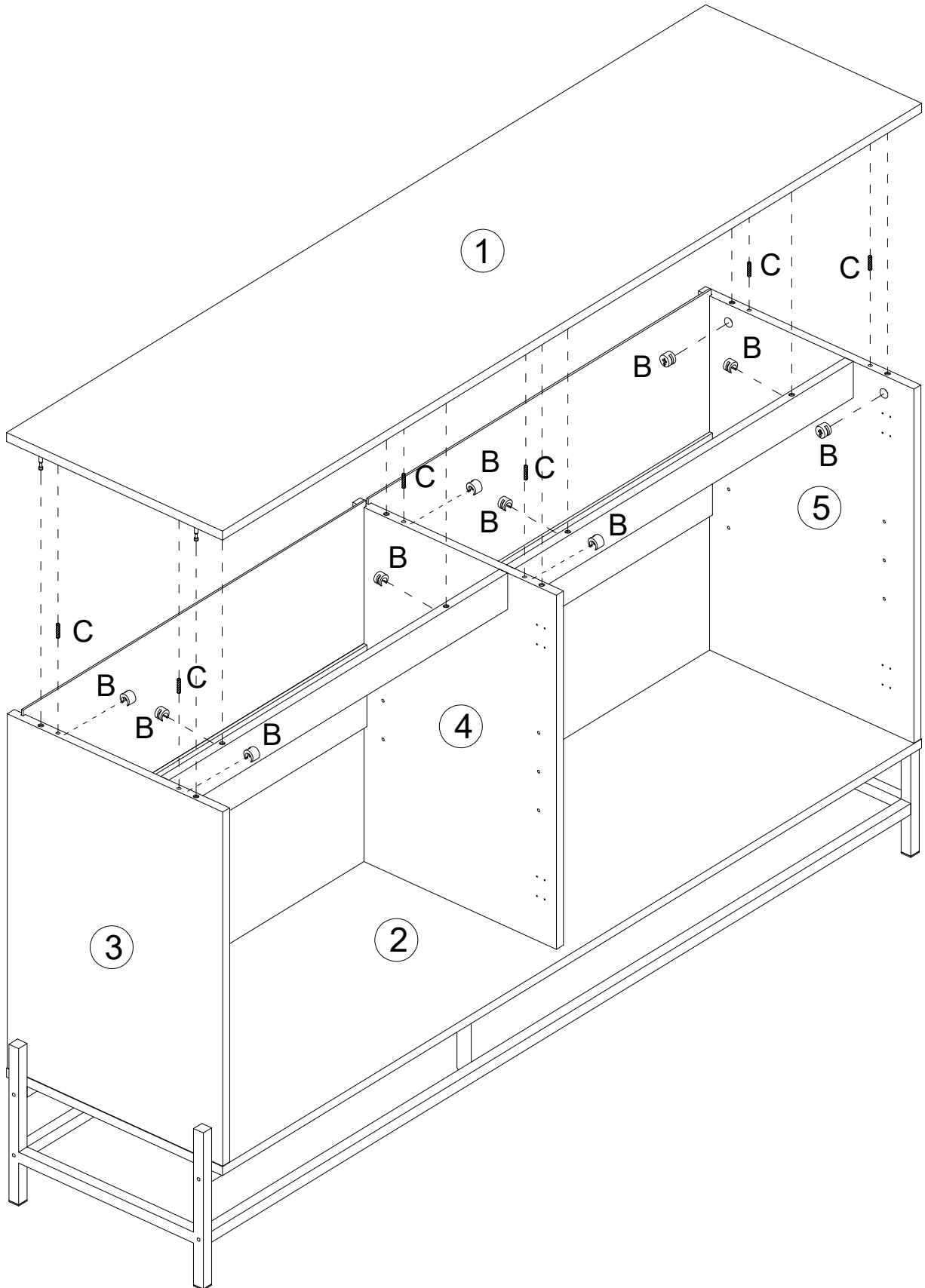
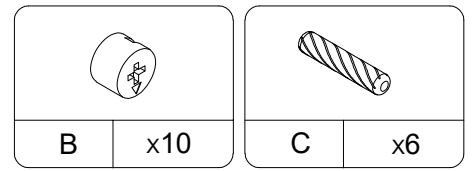


Step 8



					
A	x10	J	x8	Q	x2

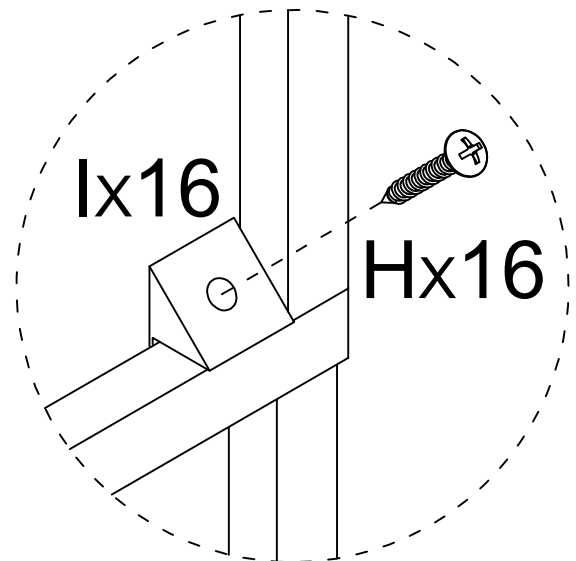
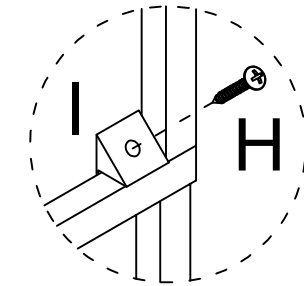
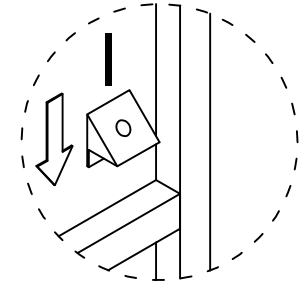
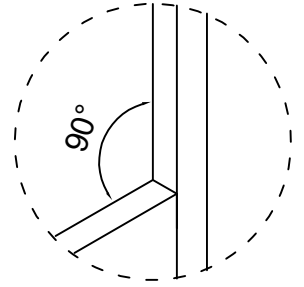
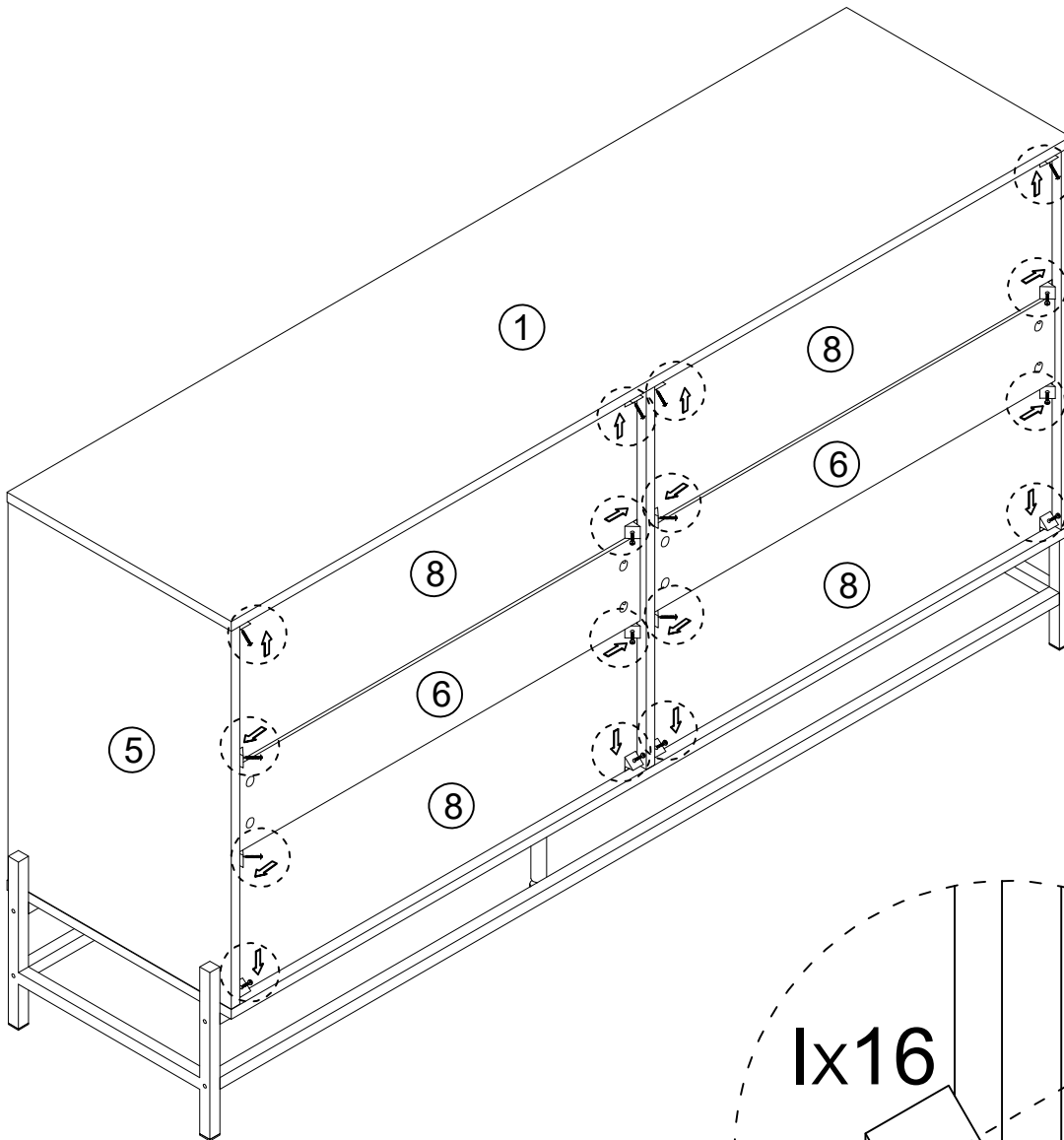


Step 9






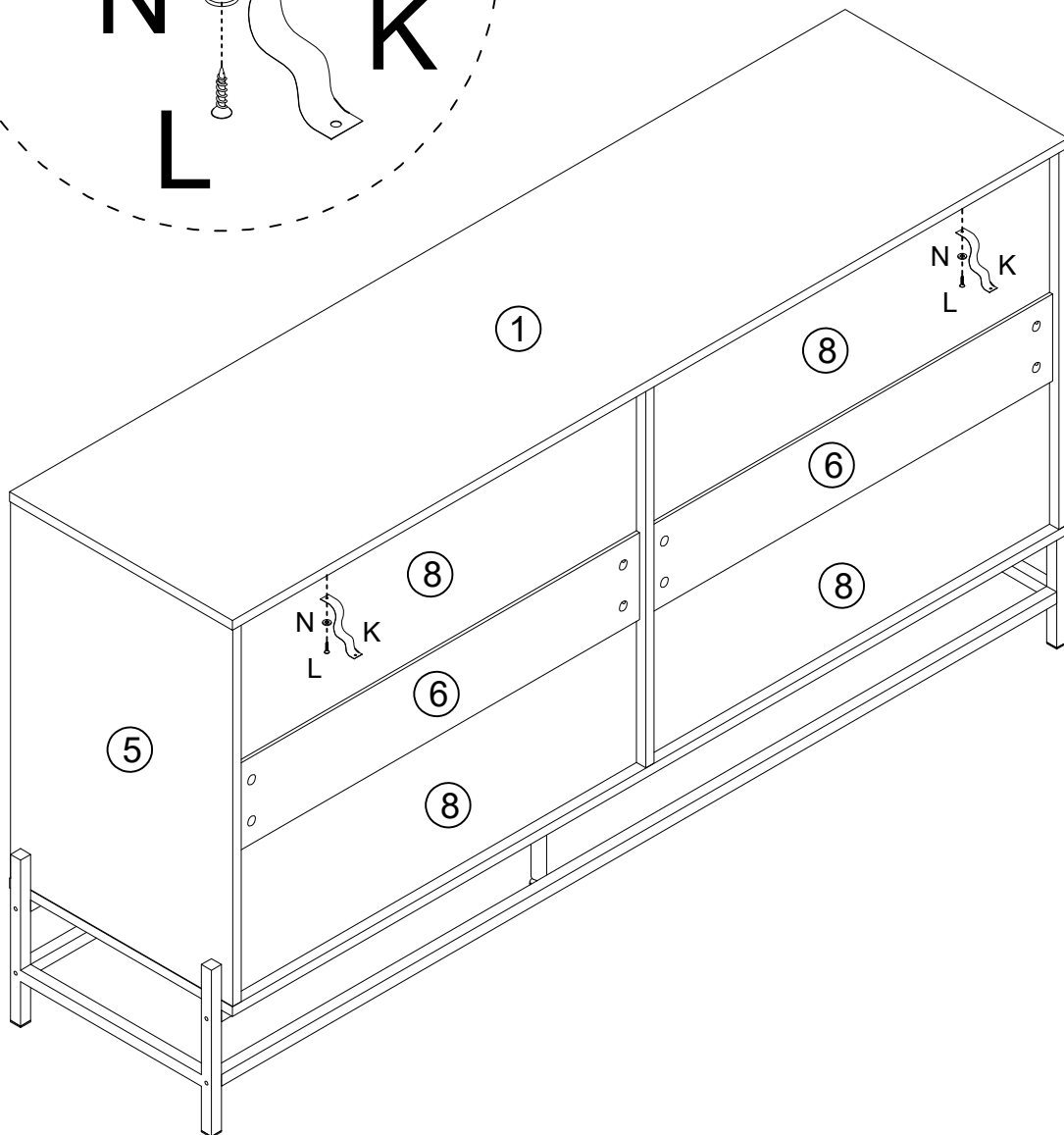
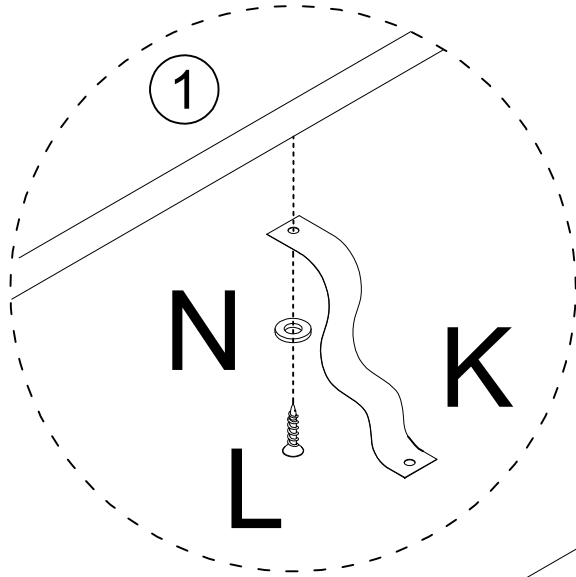
Step 10

	
H	x16
I	x16


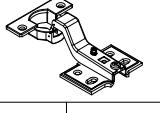


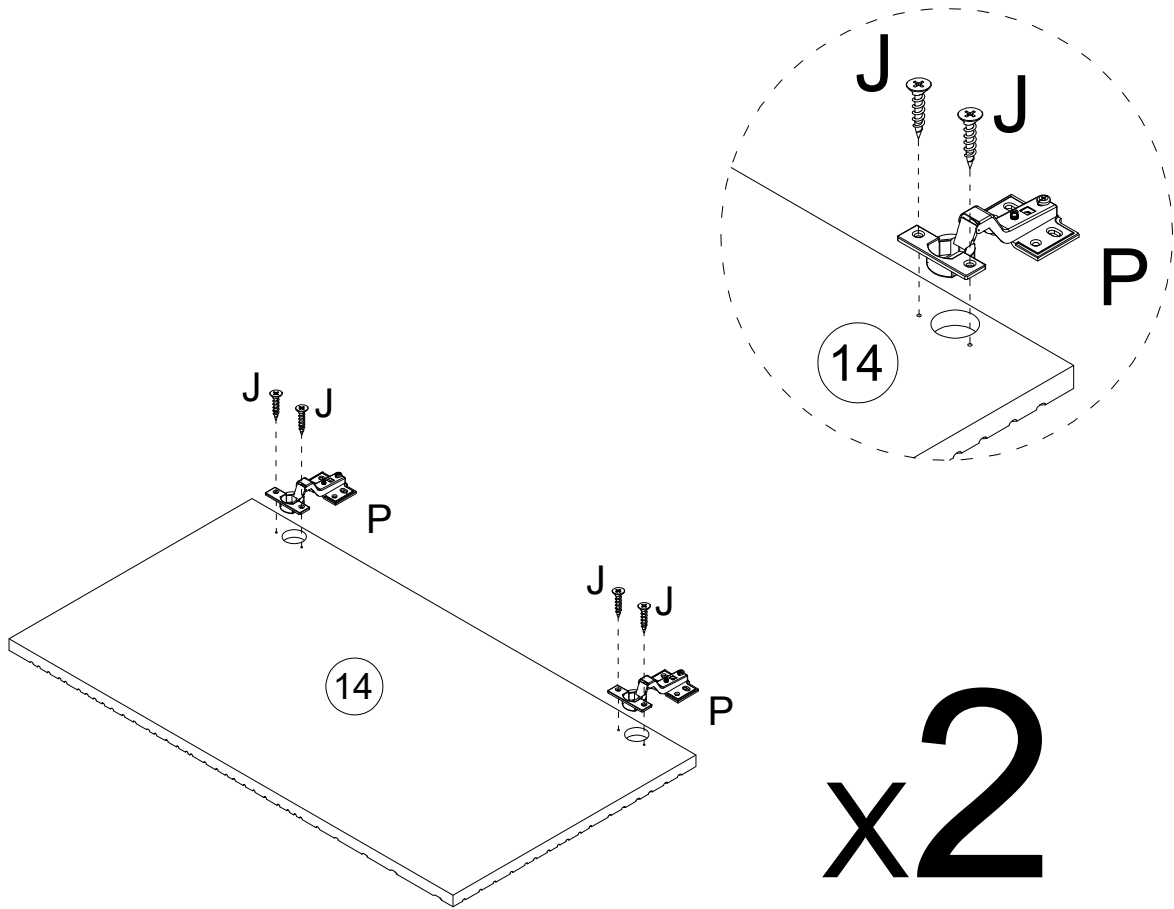
Step 11

					
K	x2	L	x2	N	x2

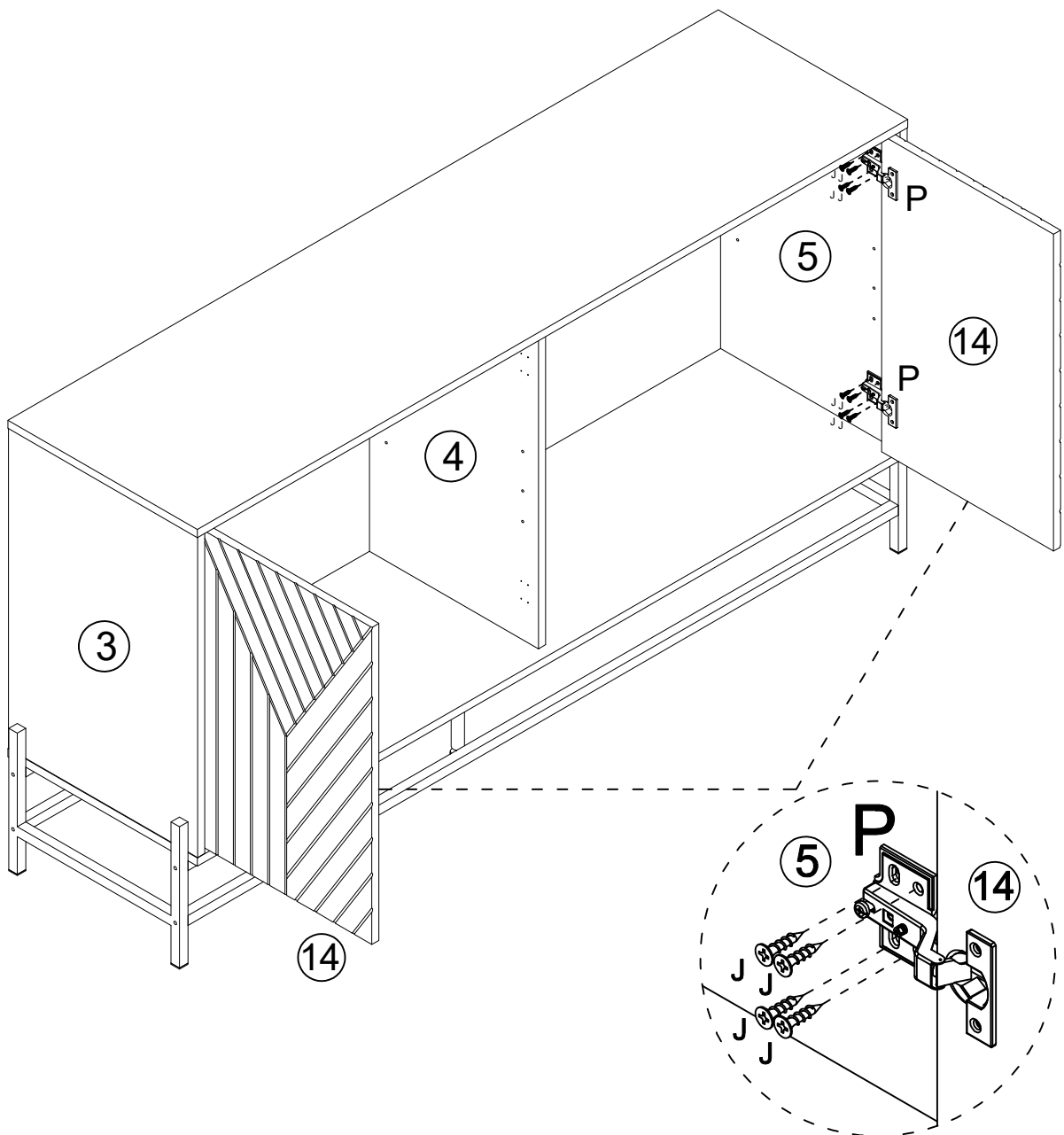
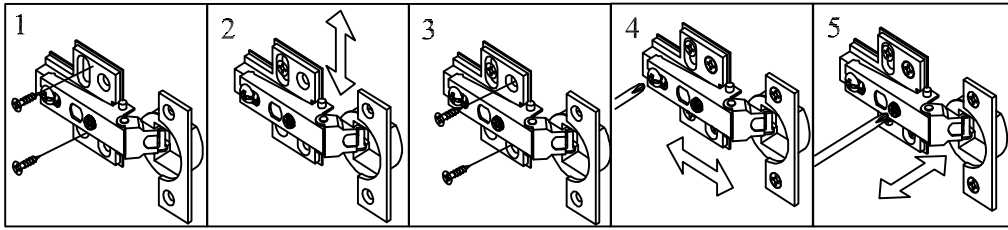
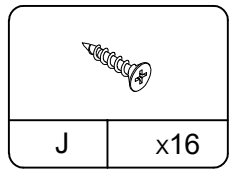


Step 12


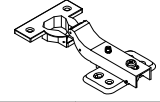
	
J	x8
P	x4

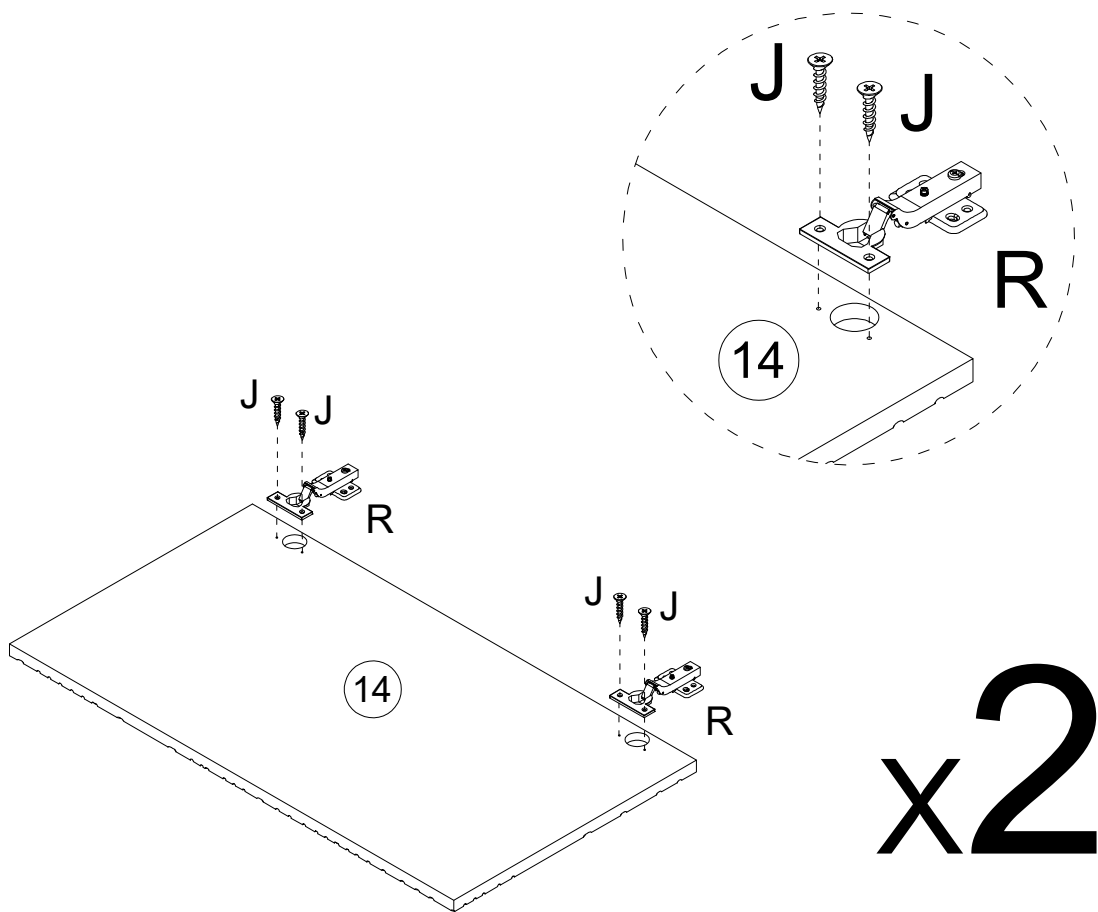


Step 13

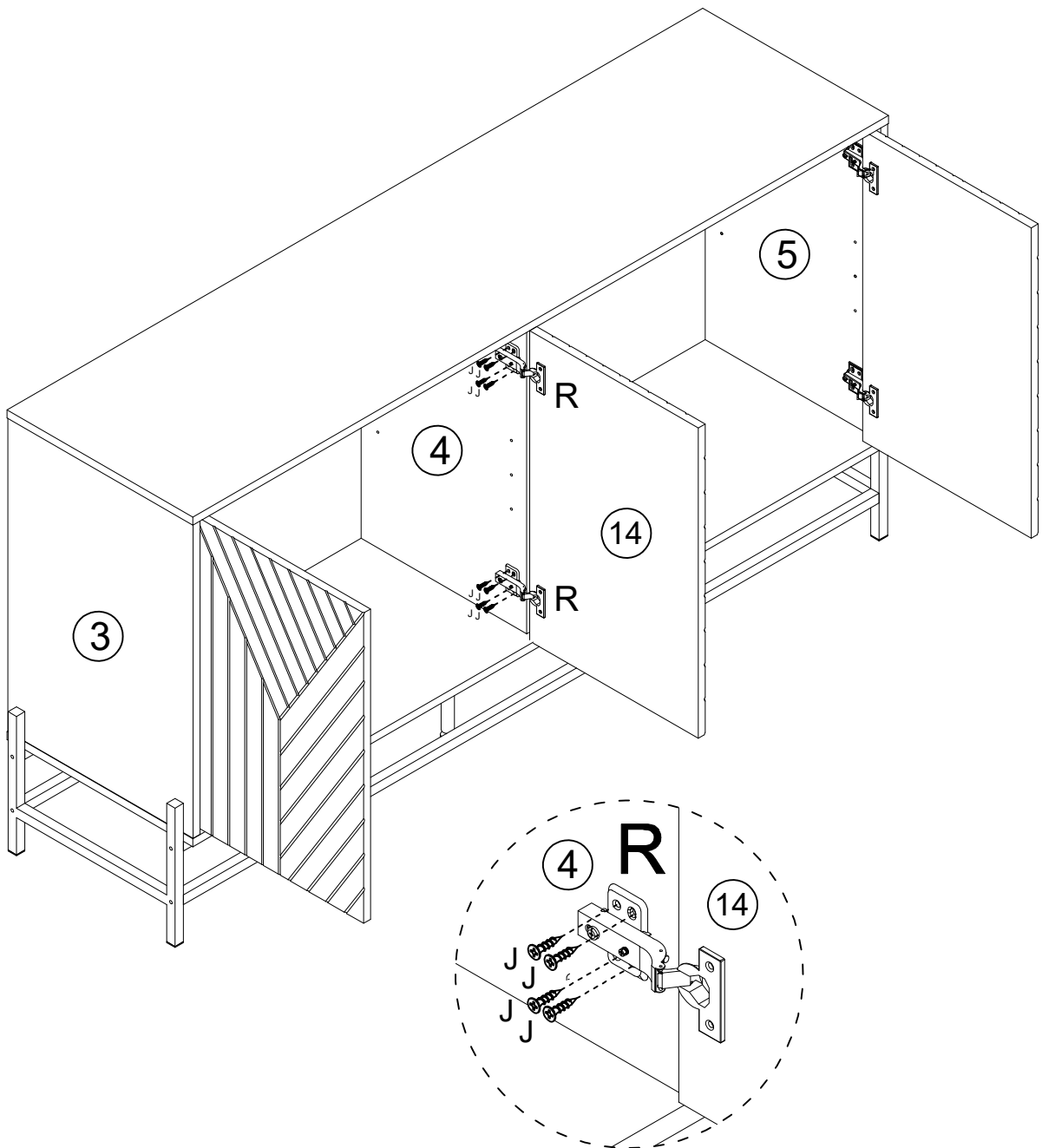
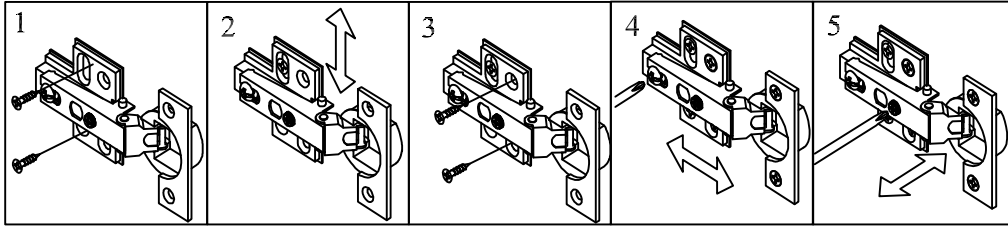
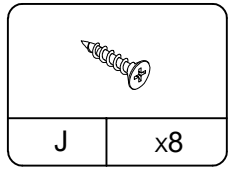


Step 14

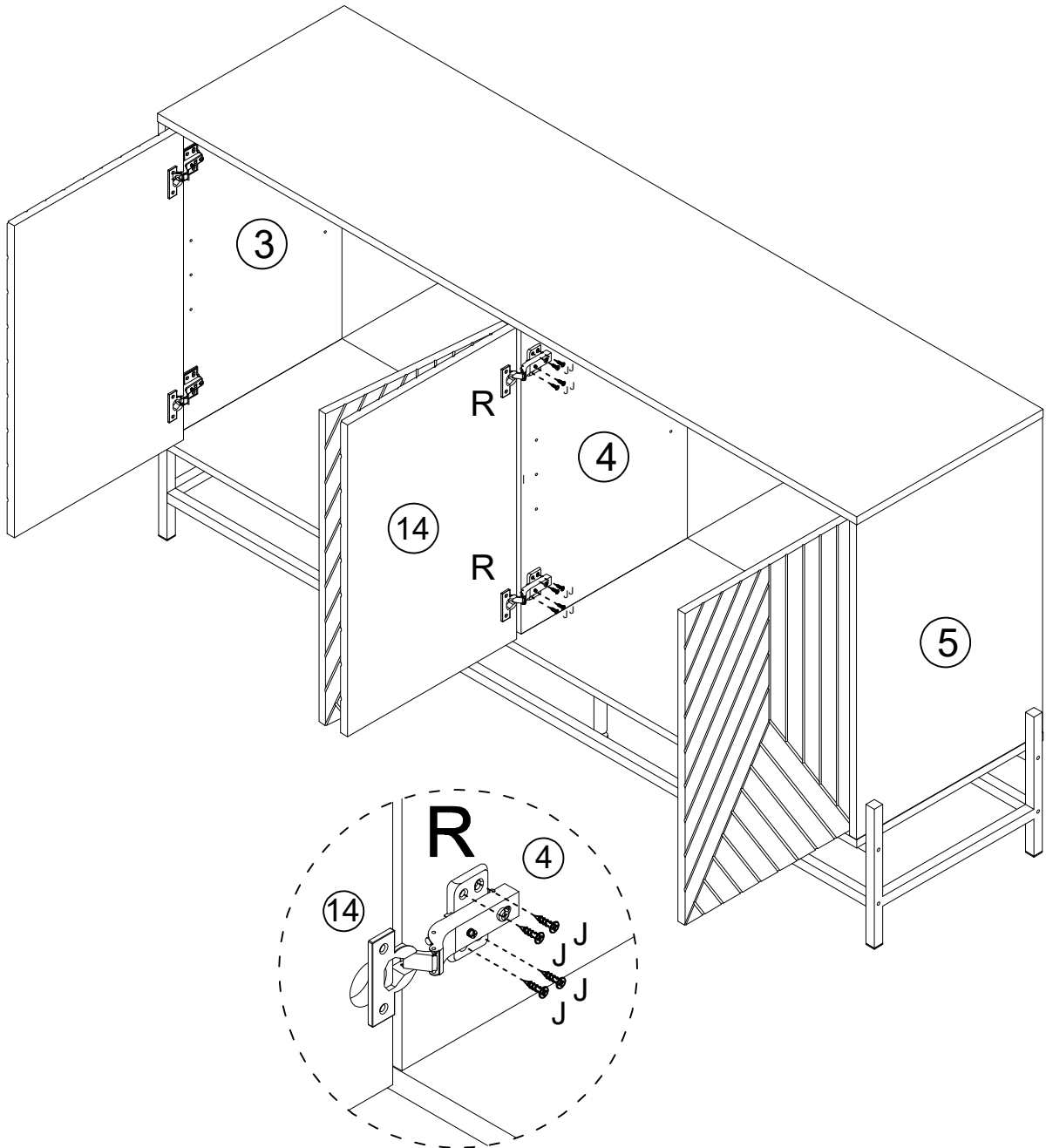
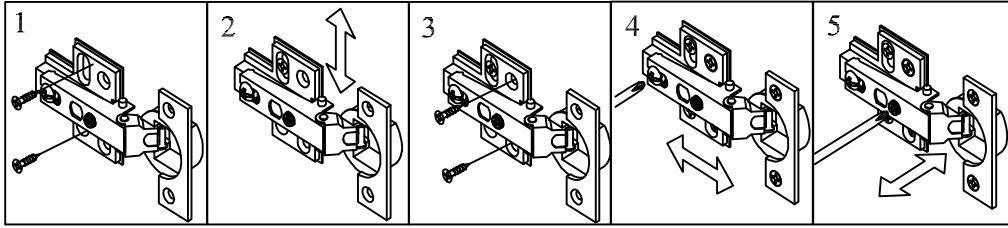
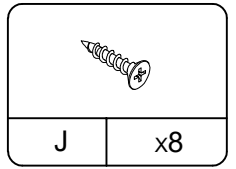
			
J	x8	R	x4



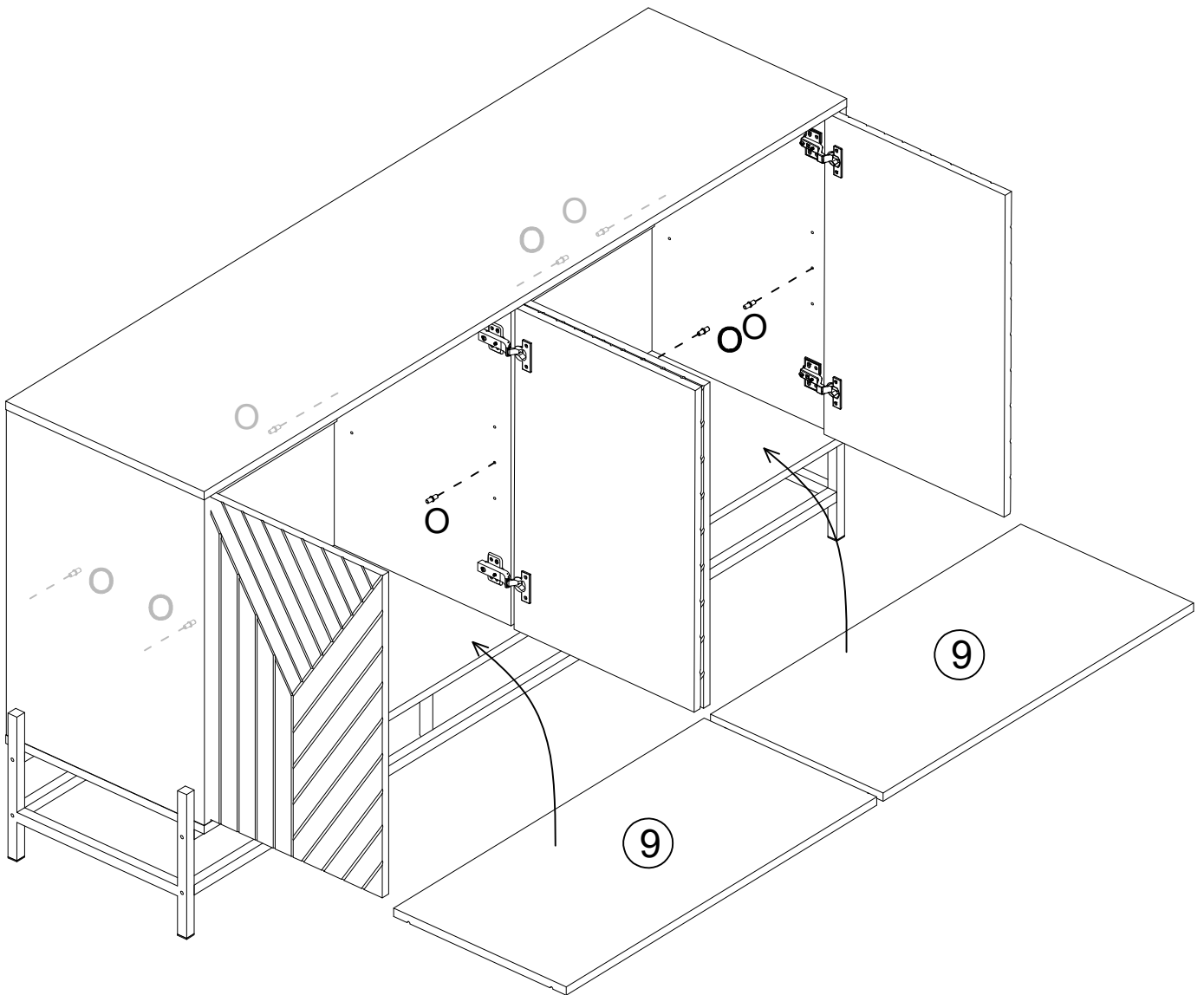
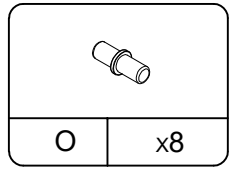
Step 15



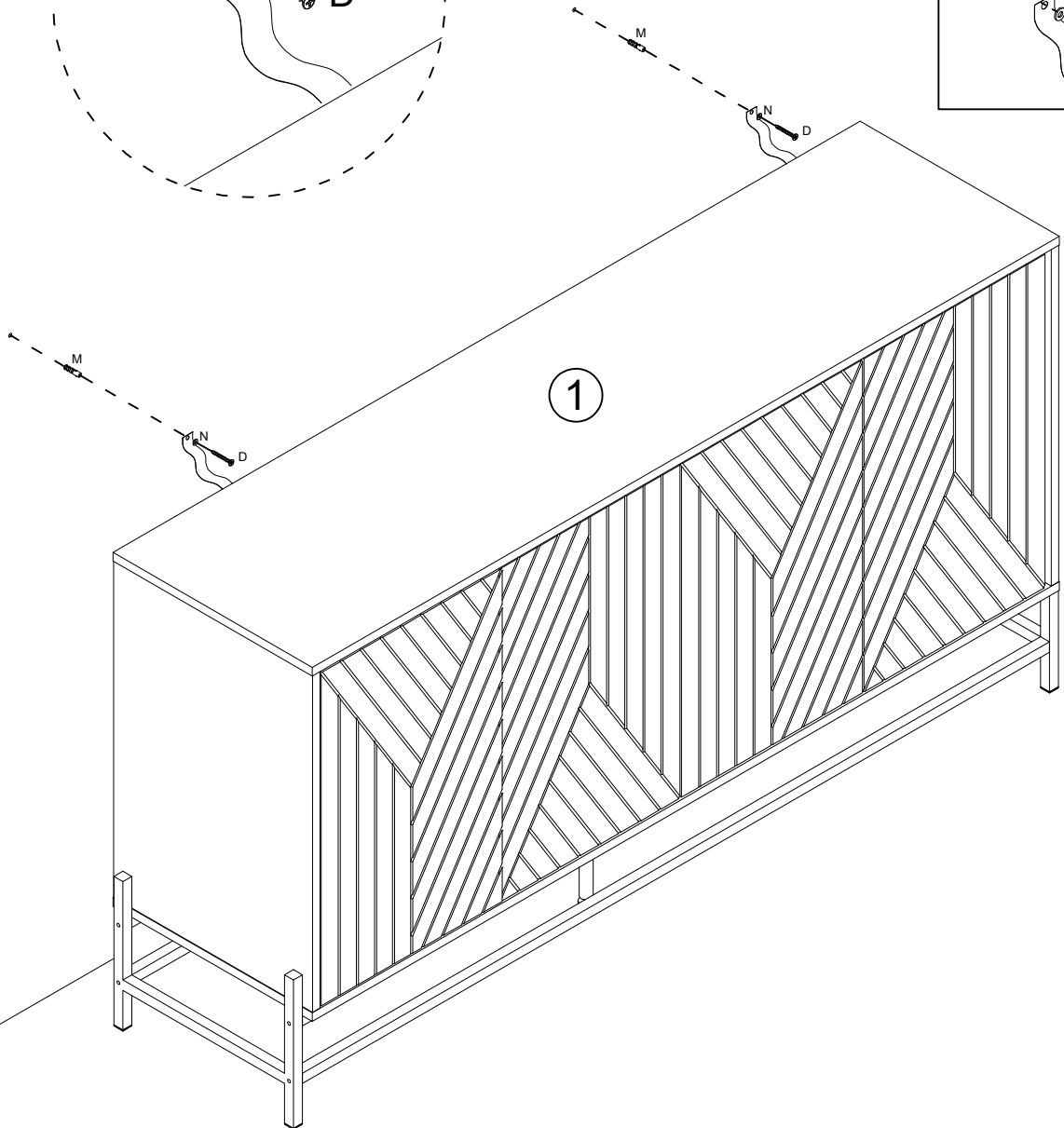
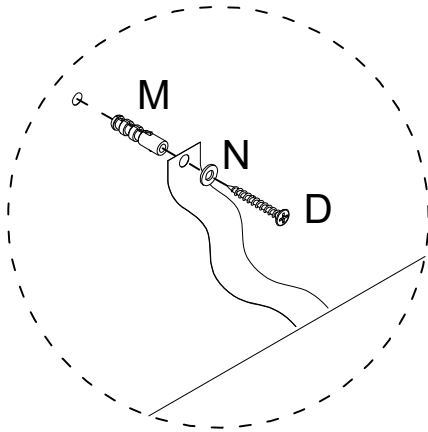
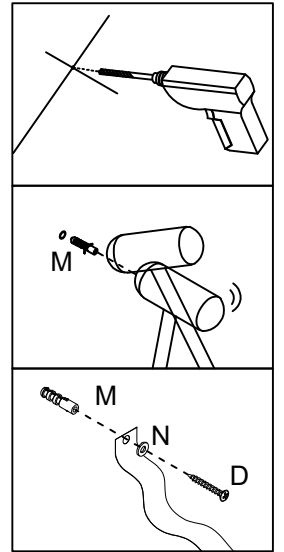
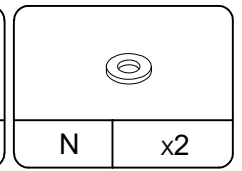
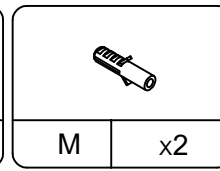
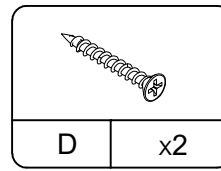
Step 16



Step 17



Step 18

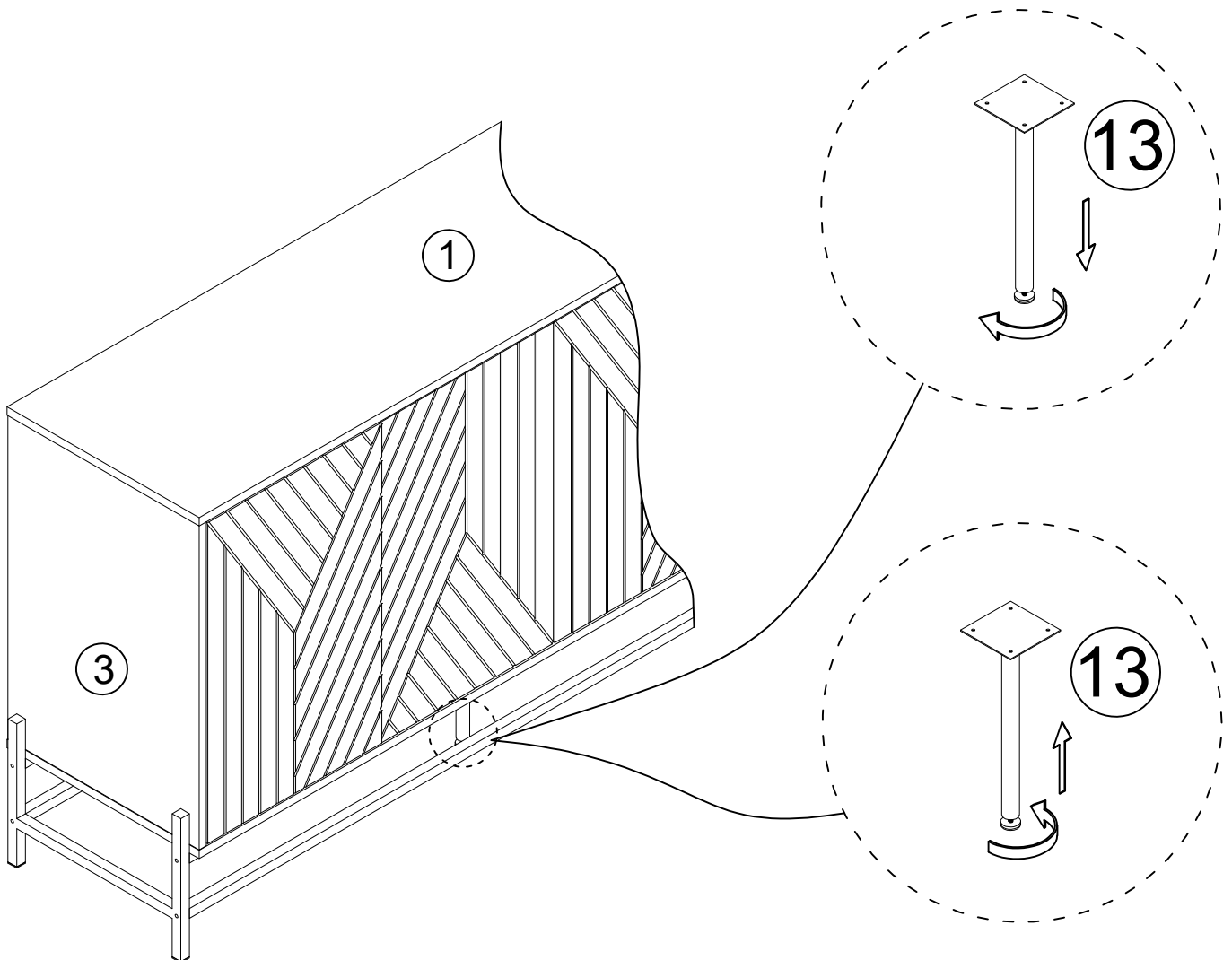


Step 19

Is your cabinet door looking crooked or unevenly spaced? (Cont.)

If you're still having trouble lining everything up, your next step should be to try to adjust the feet slightly to square up the cabinet & doors. Follow the illustrations below:

If the right door appears to be hanging low, you can adjust the adjustable leveler on the front right until the door is better aligned.



Proper Use

- DO NOT** use for commercial purposes
- DO NOT** use as a step stool or stand on table
- DO NOT** put hot serving liquid directly on the table top
- DO NOT** leave spilled liquid on the table top
- DO NOT** use table if damaged
- DO NOT** exceed weight limit
- DO NOT** make temporary repairs
- DO NOT** use outdoor

Dear Customer :

Thank you for purchasing our product,we wish you satisfy our service,if you have any further questions or any quality issues, please show the belows number and don't hesitate to contact our Customer Service People.