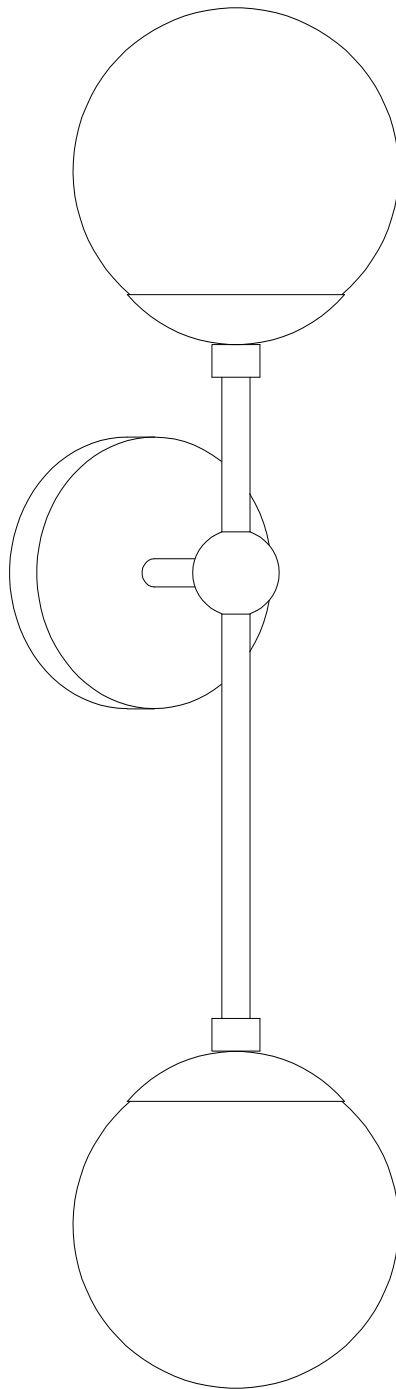


# Installation Manual



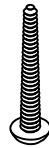
# Accessory list



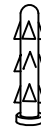
2PCS



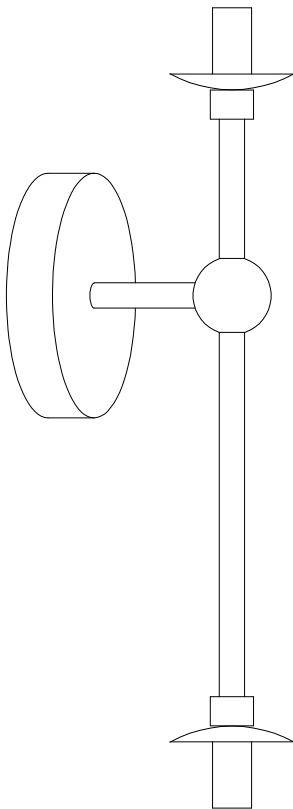
4PCS



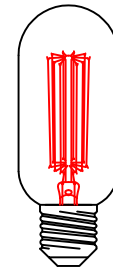
4pcs



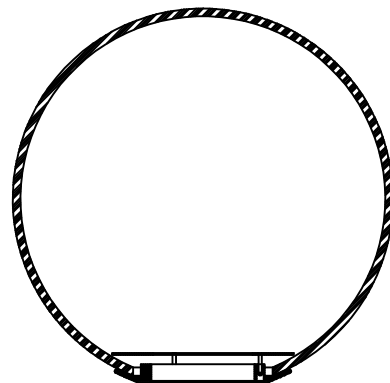
4pcs



a.Lamp Body+Wall Plate

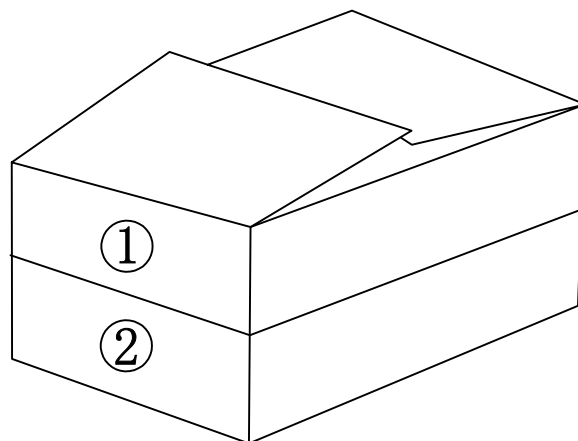


b.Bulb\*2



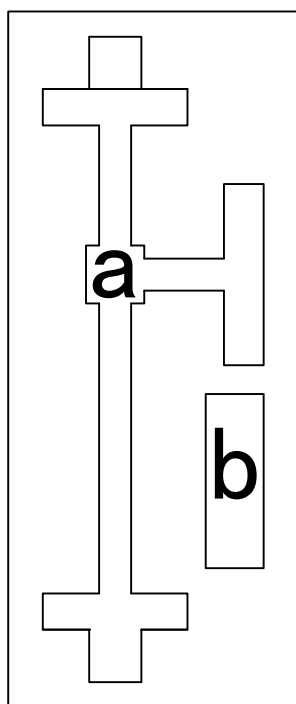
c. Alabaster Shade

# Packaging diagram:

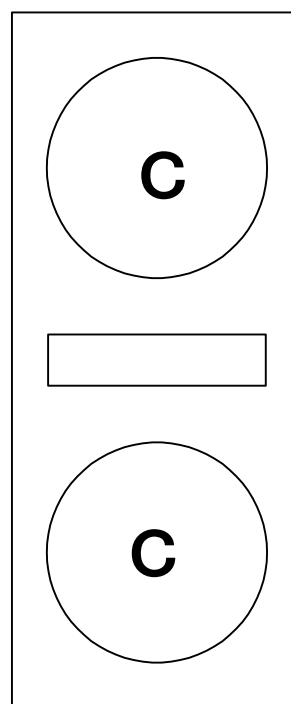


A

①



②



## Inner Package Lists:

A1: Lamp Body, Bulbs

A2: Alabaster, Accessories

## Before assembly:

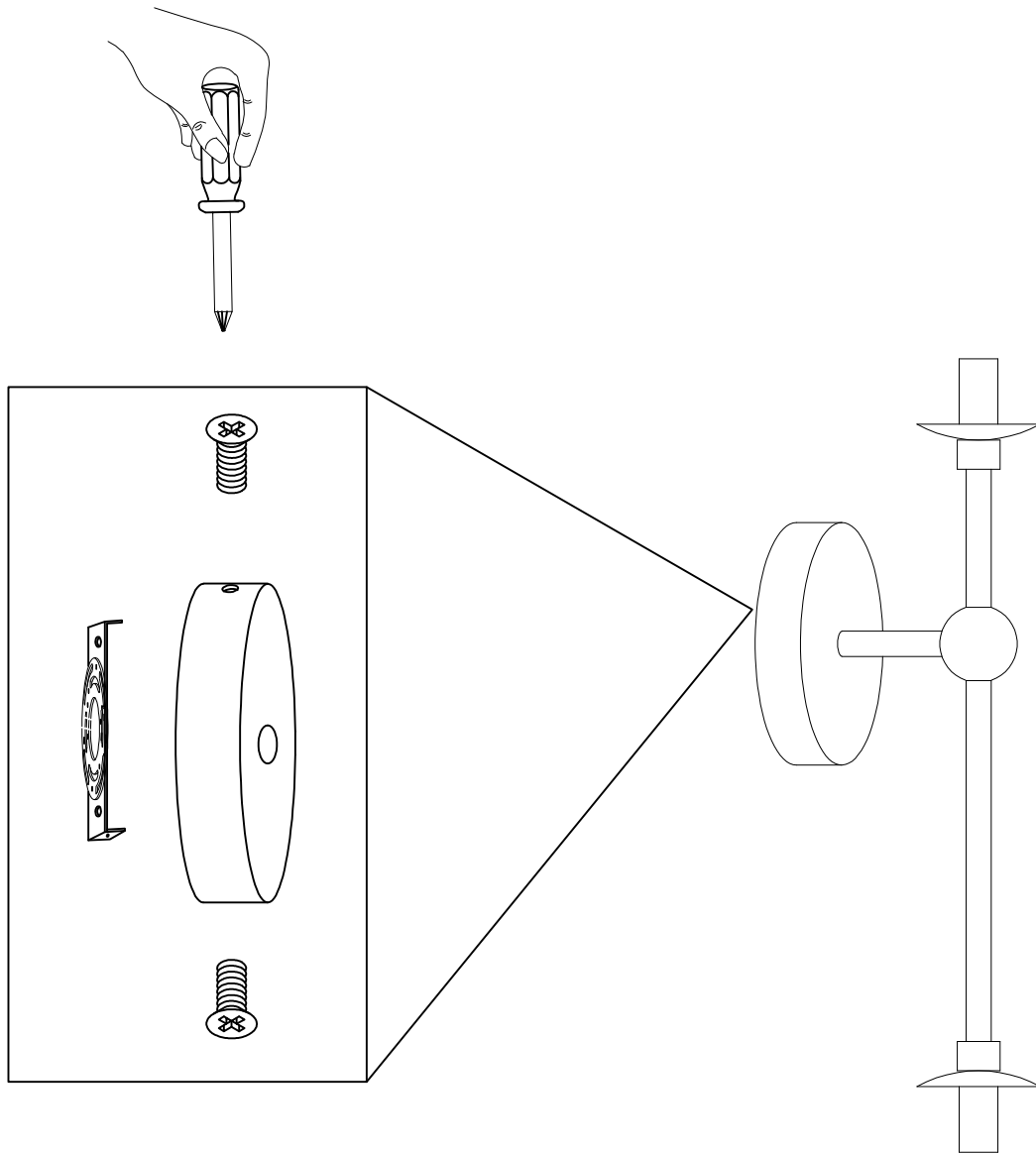
- ★ Please read all the instructions carefully.
- ★ Keep the instruction manual for future reference
- ★ Separate and list all parts and hardware
- ★ Read each step carefully and follow the correct installation order.
- ★ To avoid losing any parts during assembly, we recommend not moving the lamp before completing the assembly. Always place the product on a flat, firm, and stable surface.
- ★ Keep all small parts and packaging materials of this product away from babies and children, as they may cause serious injury.

### ★Product Parameters:

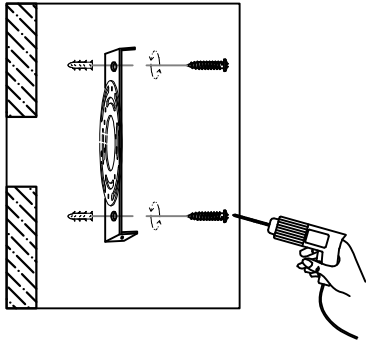
light: E26\*2 watt: 5W (single) color temperature: 2700K

# 1. Installation of light fixture wall plate and ceiling tray:

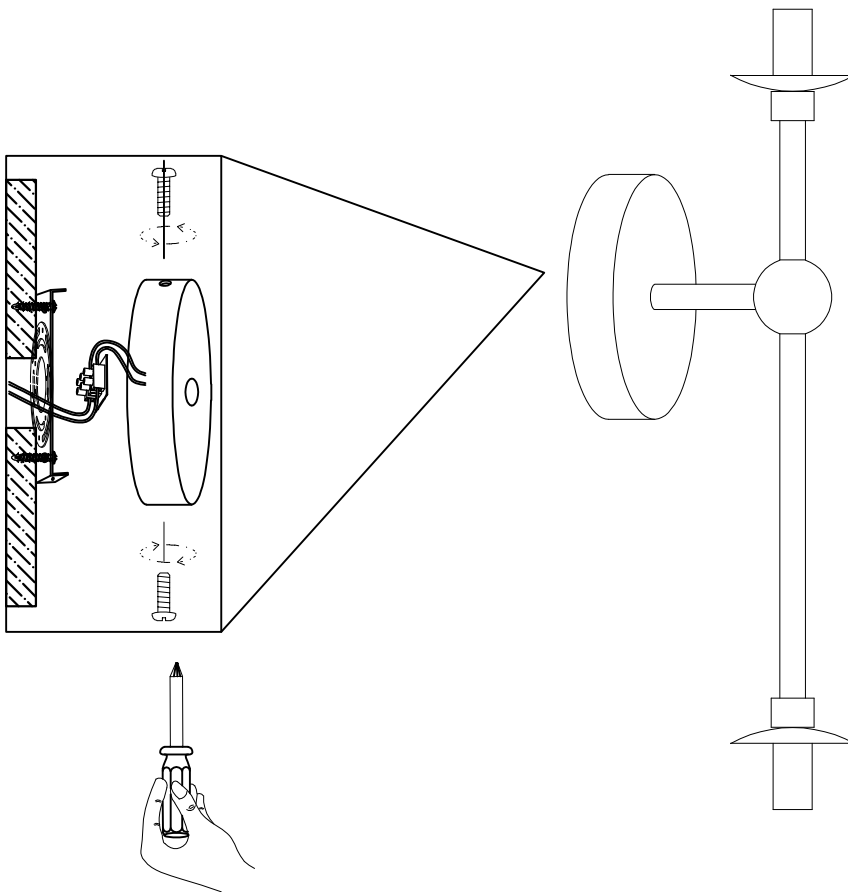
- (1). Find a. lamp body + pegboard from the sorting list
- (2). Unscrew the screws and remove the plate from the lamp body.
- (3). Fasten the plate to the wall with the self-tapping screws.
- (4). Connect the wires and use the screws to fix the light body to the wall plate.



**Step 1**



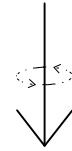
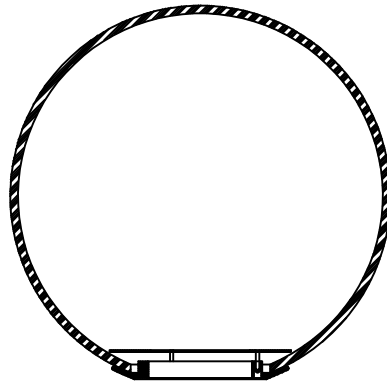
Step 2



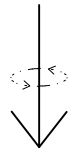
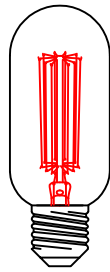
Step 3

## 2. Installation of Alabaster Globe:

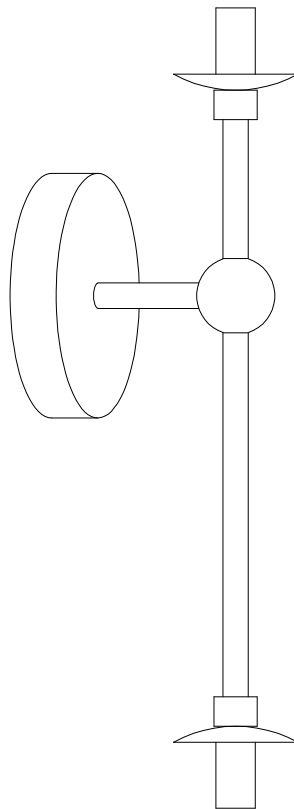
- (1) . First install the light source into the lamp head.
- (2) . Then install the alabaster globe in the lamp body.



Step 2



Step 1



★ If your product has any issues upon receipt, please:

1. Provide your order number.
2. Attach a photo or video of the issue.
3. Contact us through the platform's customer service.