

# ASSEMBLY INSTRUCTION

Thank you for purchasing this quality product. Be sure to check all packing material carefully for small parts which may have come loose inside the carton during shipment. Separate, identify and count all parts and hardware. Compare with the parts list to be sure all parts are present.

**IMPORTANT : PLEASE READ INSTRUCTION BEFORE STARTING THE ASSEMBLY.**

**"DO NOT TIGHTEN SCREWS UNTIL COMPLETELY ASSEMBLED"**

**"DO NOT OVERTIGHT ANY HARDWARE"**

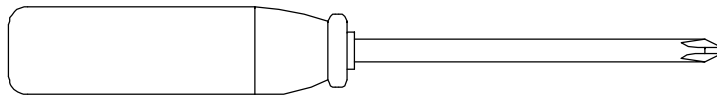
**WARNING : SMALL PARTS AND HARDWARE NOT FOR CHILDREN UNDER 3 YEARS. ADULT ASSEMBLY REQUIRED.**

## TABLE OF CONTENTS

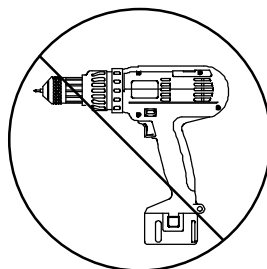
HARDWARES LIST	PAGE 2
PARTS LIST	PAGE 3
PARTS' LOCATION	PAGE 4
DESCRIPTION	PAGE 5
ASSEMBLY STEPS	PAGE 6 - 8
ASSEMBLY COMPLETED	PAGE 8

## ASSEMBLY TOOLS REQUIRED

### 1. Screwdriver (not provide)

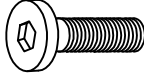
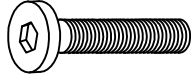
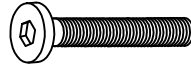
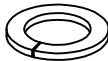







Skip the power trip this time.



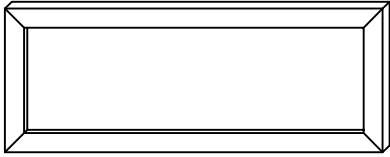


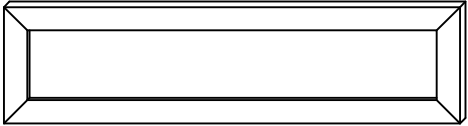


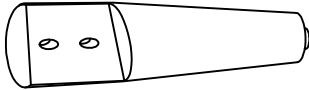
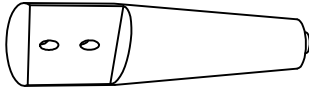
# ASSEMBLY INSTRUCTION

## HARDWARES LIST


ITEM	DESCRIPTION	DRAWING	QTY
A	JCBB SCREW M8 x 20MM		8 PCS
B	JCBB SCREW M8 x 35MM		4 PCS
C	JCBC SCREW M6 x 35MM		4 PCS
D	SPRING WASHER M8 x 14MM		6 PCS
E	SPRING WASHER M8 x 22MM		6 PCS
F	CSK C/B SCREW (M4 x 32MM)		8 PCS
G	M4 ALLEN KEY (65MM)		1 PC
H	M5 ALLEN KEY (65MM)		1 PC
I	JCBB SCREW M8 x 40MM		6 PCS

# ASSEMBLY INSTRUCTION

## PARTS LIST (BOX 1)

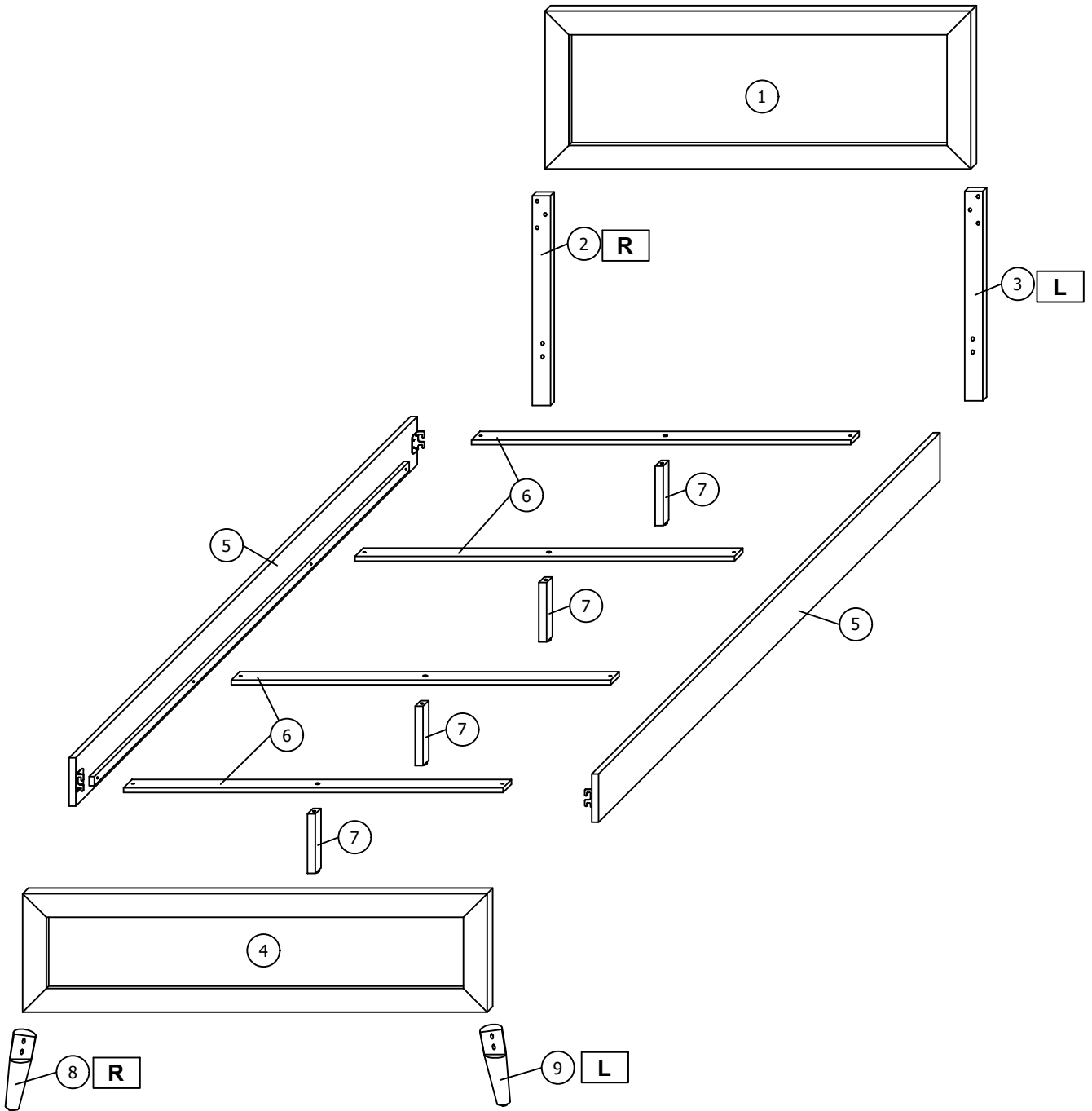
ITEM	DESCRIPTION	DRAWING	QTY
1	HEADBOARD		1 PC
2	HEADBOARD SUPPORT LEG - WITH "FACING TO WALL (R)" STICKER		1 PC
3	HEADBOARD SUPPORT LEG - WITH "FACING TO WALL (L)" STICKER		1 PC
4	FOOTBOARD		1 PC
6	SLAT		4 PCS
7	CENTRE SUPPORT LEG		4 PCS
8	FOOTBOARD SUPPORT LEG (R)		1 PC
9	FOOTBOARD SUPPORT LEG (L)		1 PC

## PARTS LIST (BOX 2)

ITEM	DESCRIPTION	DRAWING	QTY
5	SIDE RAIL		2 PCS

# ASSEMBLY INSTRUCTION

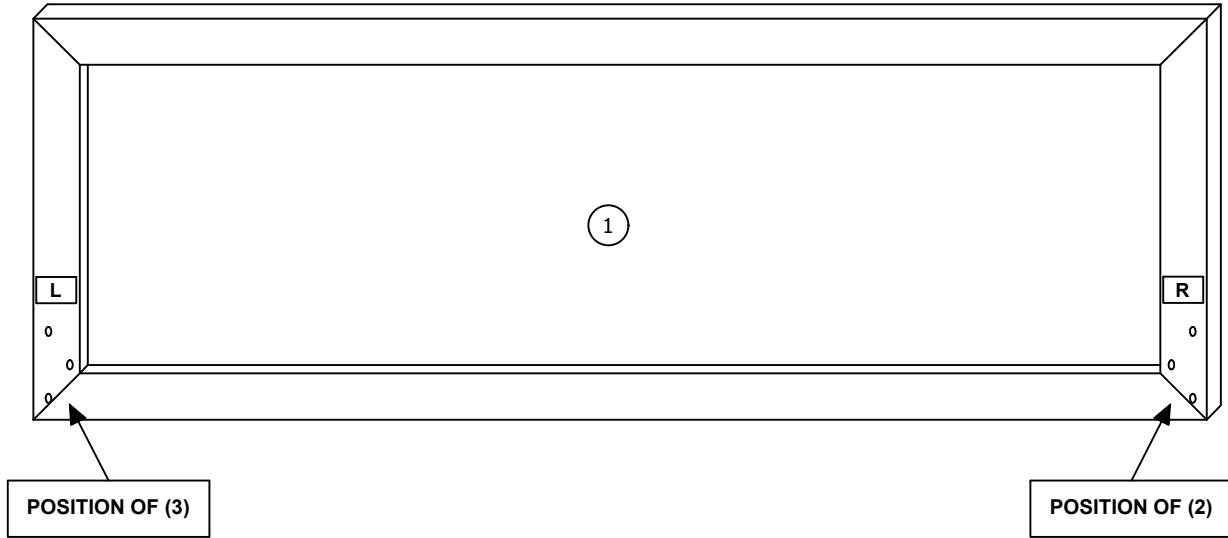
## PARTS ' LOCATION



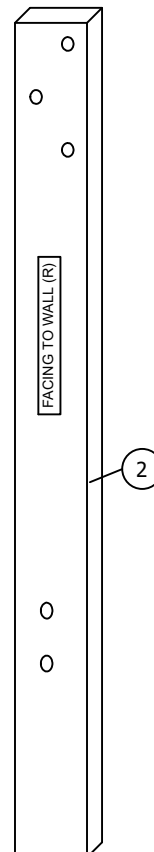
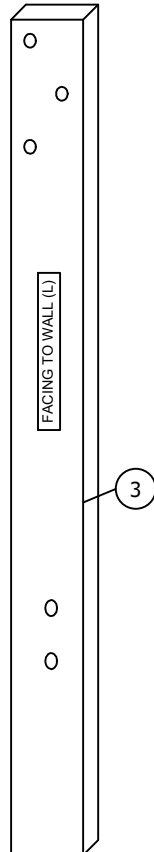
# ASSEMBLY INSTRUCTION

## DESCRIPTION

There are two stickers pre-sticked on backside of (1) which separately marked with L and R .



One side of (2),(3) label the sticker facing to outside during assembly.

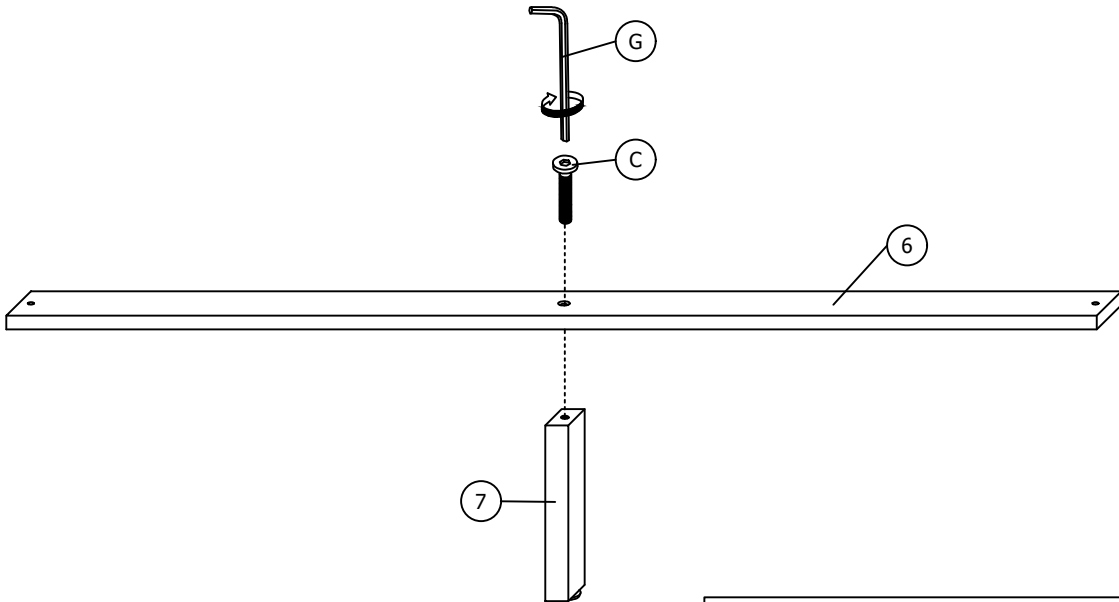


# ASSEMBLY INSTRUCTION

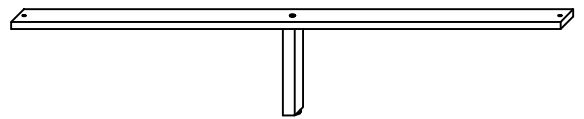
## ASSEMBLY STEPS

### STEP 1

Insert 1 piece (C) to combine 1 piece (7) to (6) as shown. This step needs to be **done four times**.

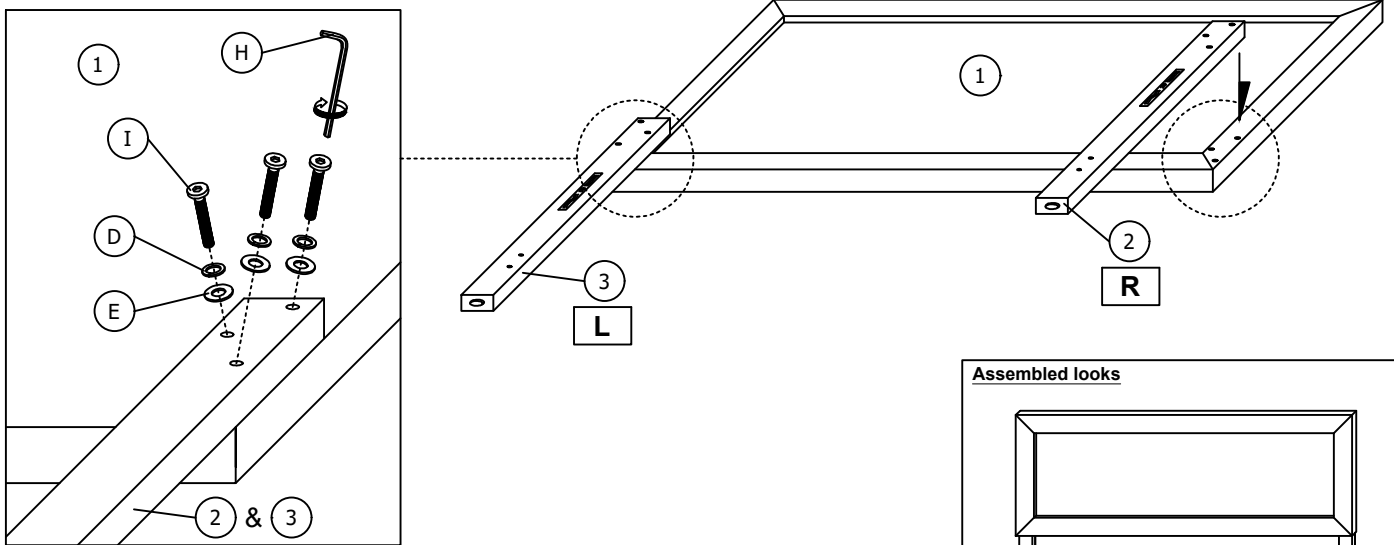


Assembled looks

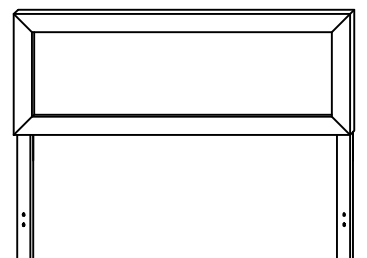


### STEP 2

Insert all the 6 pieces (I),(D) and (E) to combine (2) and (3) to the (1) as shown.



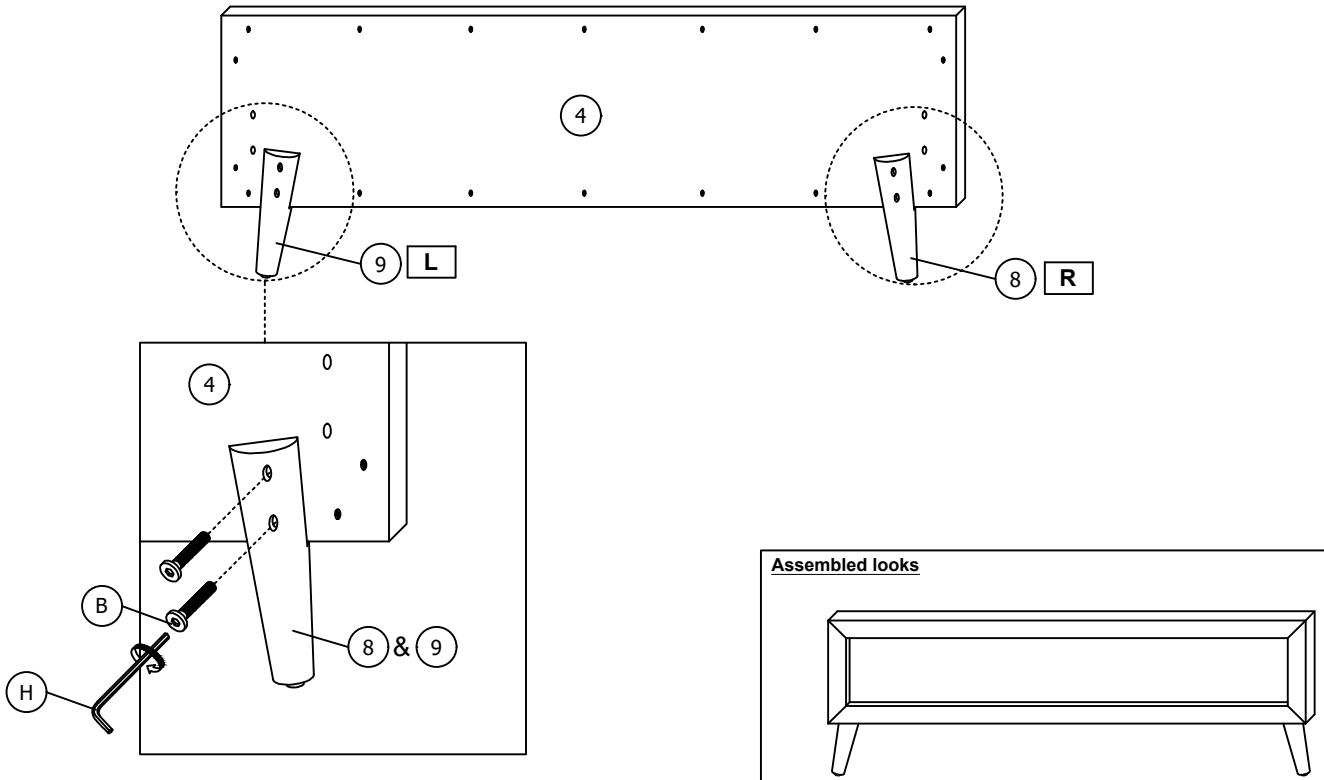
Assembled looks



# ASSEMBLY INSTRUCTION

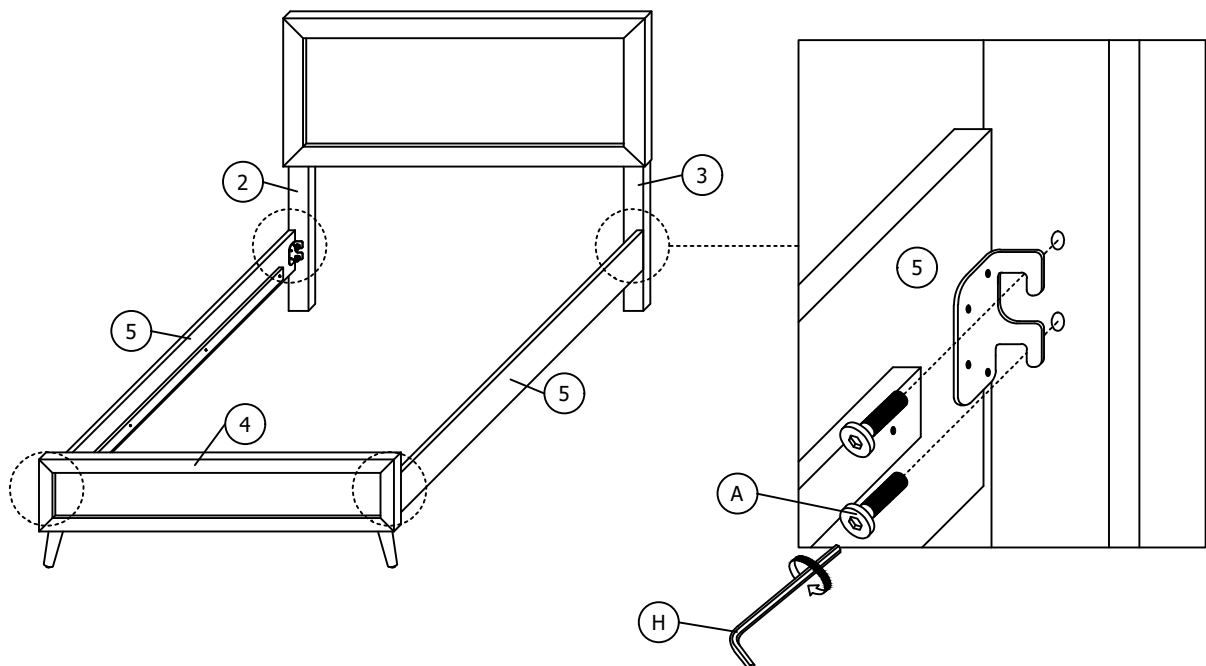
## STEP 3

Insert the 4 pieces (B) to combine the (8) and (9) to the (4) as shown.



## STEP 4

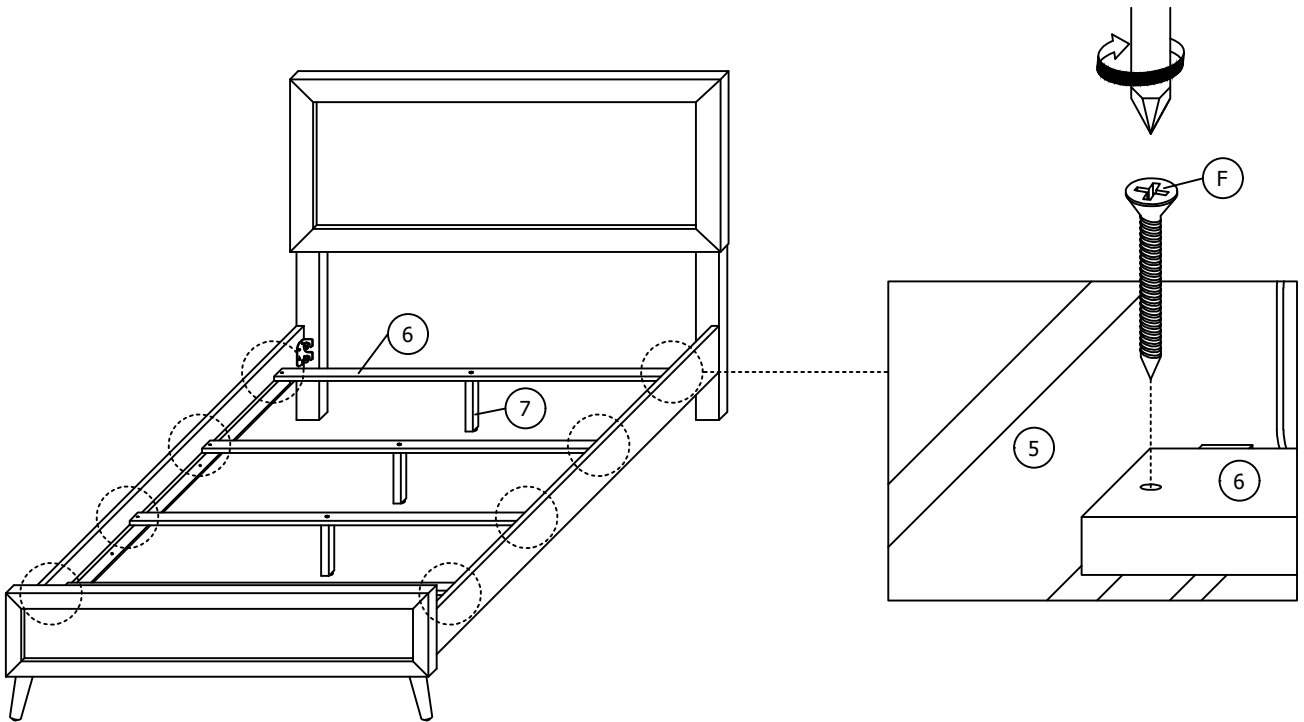
Insert all the 8 pieces (A) to combine (2),(3),(4) and (5) as shown.



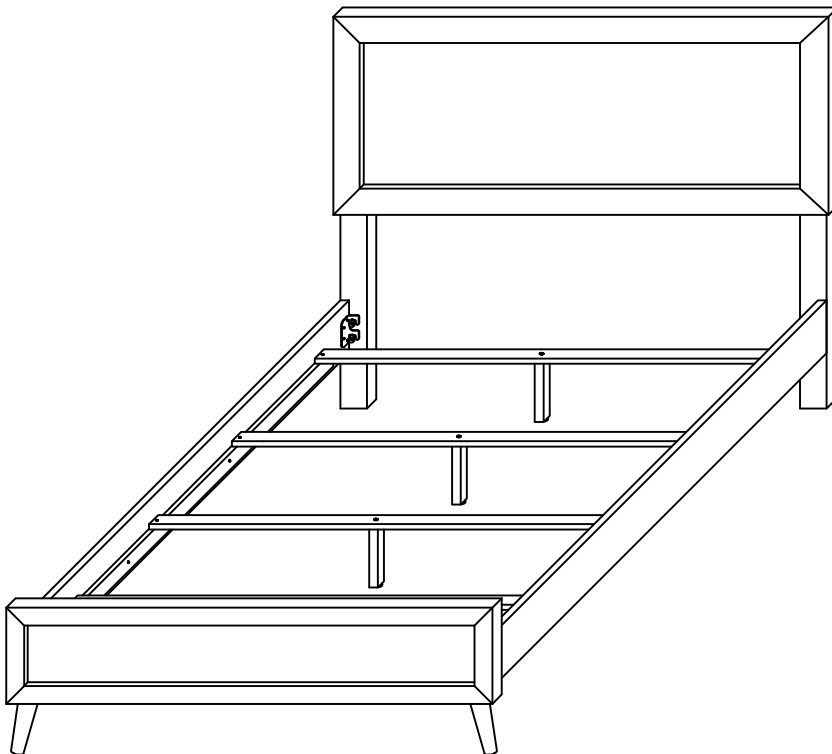
# ASSEMBLY INSTRUCTION

## STEP 5

Insert all the 8 pieces (F) to fix the (6) on the wood of (5) as shown.



## STEP 6

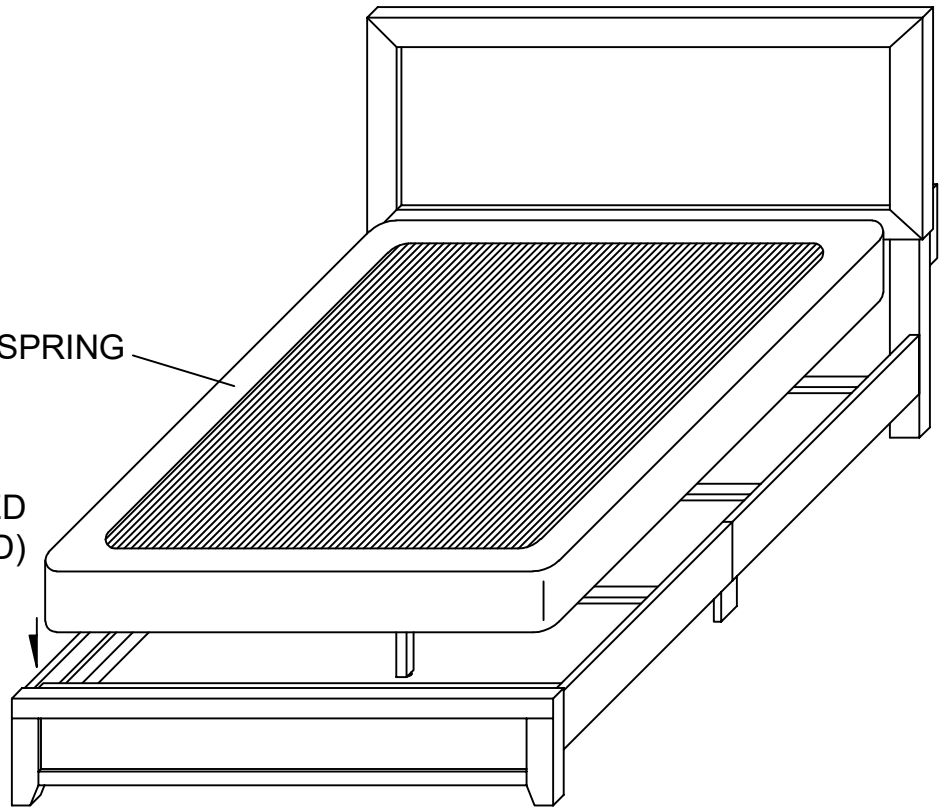


**ASSEMBLY COMPLETED**

\*\* FOR ALL MODEL AND ALL SIZE BED

BOX SPRING

BOX SPRING REQUIRED  
(NOT INCLUDED)



MATTRESS  
(NOT INCLUDED)

