











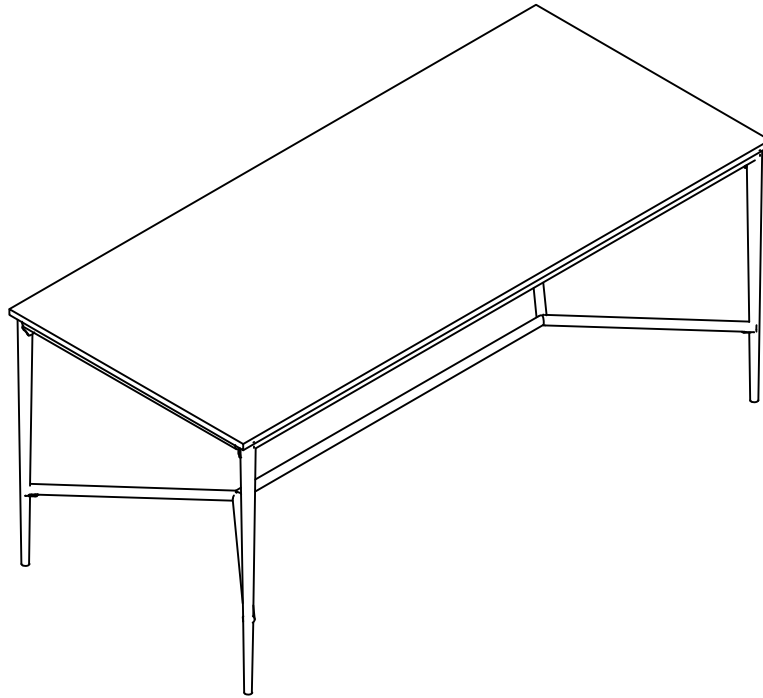
Assembly Instructions

Caution : You must read this before you proceed

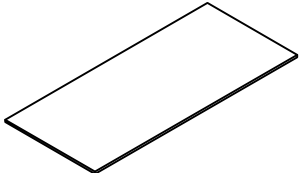
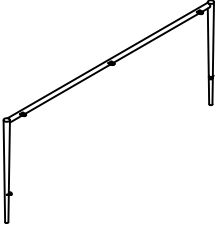
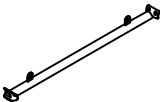
Care & Maintenance

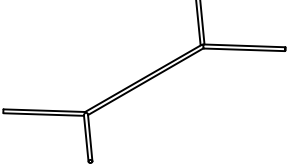

- ⊘  ● Not for commercial use. For residential use only.
- ✓  ● Furniture may scratch floors. We recommend using furniture pads to protect your floors.
- ⊘  ● Do not put hot items directly on furniture surface.
- ⊘  ● Do not clean furniture with harsh cleansers or polish.
- ⊘  ● Do not place furniture under direct sunlight.
- ⊘  ● Do not place furniture near heating or cooling vents.
- ⊘  ● Do not write on furniture without a padded barrier to protect the surface.
- ⊘  ● Do not place furniture outside . For indoor use only.
- ⊘  ● Stains may be removed with mild soap solution and damp cloth.
- ⊘  ● Children should not climb or jump on the furniture.
- ✓  ● Dust and pick-up spills using a clean, non-colored, lint-free cloth.

Dining Table


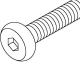









Parts List

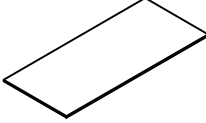


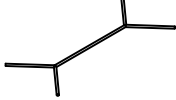


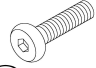







Label	Image	Description	QTY
A		Tabletop	1
B		Metal Leg Frame	2
C		Upper Rail	2

D		Footrest	1
E		Connecting Rod	1

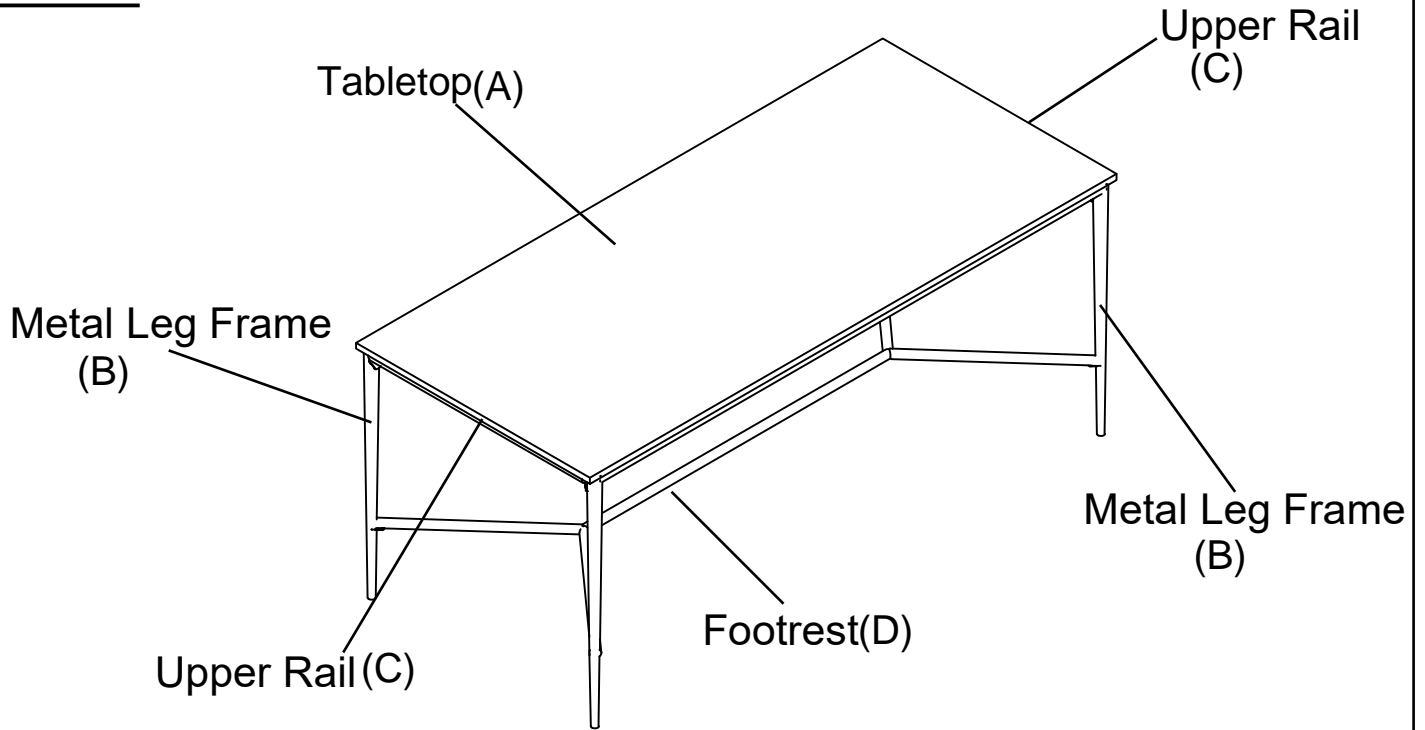
Hardware

Label	Picture	Description	QTY
①		Bolt(M6*15mm)	13
②		Bolt(M8*20mm)	9
③		Spring Washer(M6)	11
④		Washer(M6)	11
⑤		Spring Washer(M8)	9
⑥		Washer(M8)	9
⑦		Allen Wrench(M4)	1
⑧		Allen Wrench(M5)	1
⑨		Bolt(M6*15mm)	3

Assembly Preparation

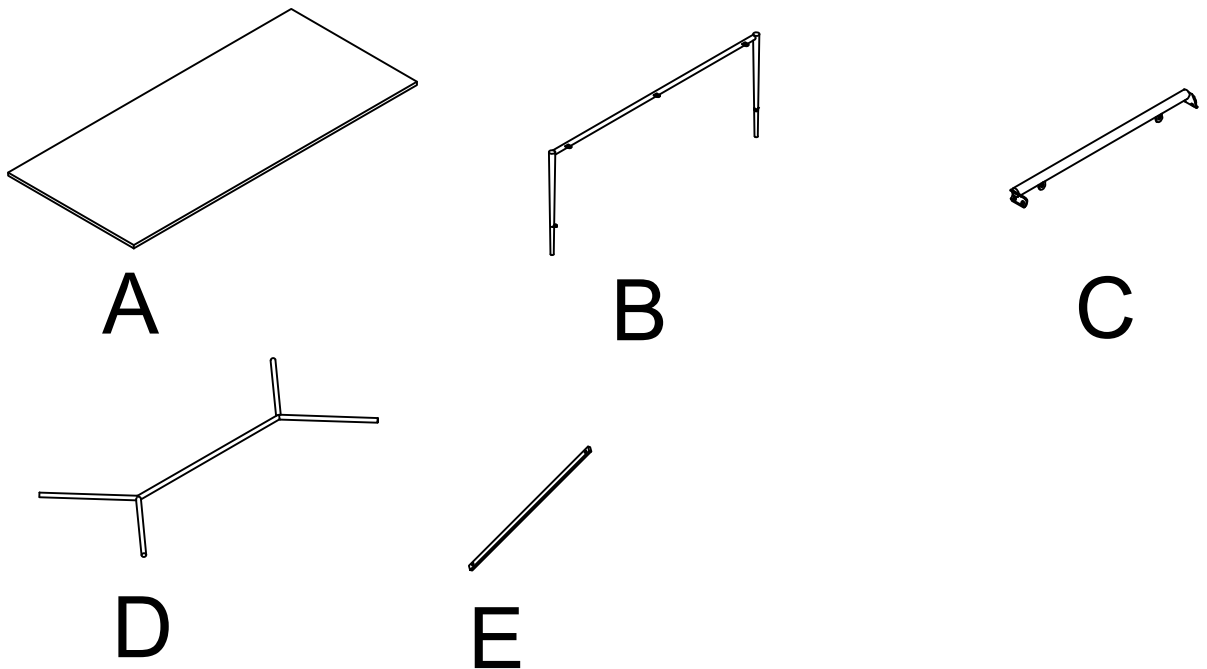
Before Beginning Assembly:								
	A X1	BX2	CX2	DX1	EX1	① X13		
								
	② X9	③ X11	④ X11	⑤ X9	⑥ X9	⑦ X1	⑧ X1	⑨ X3

Overview



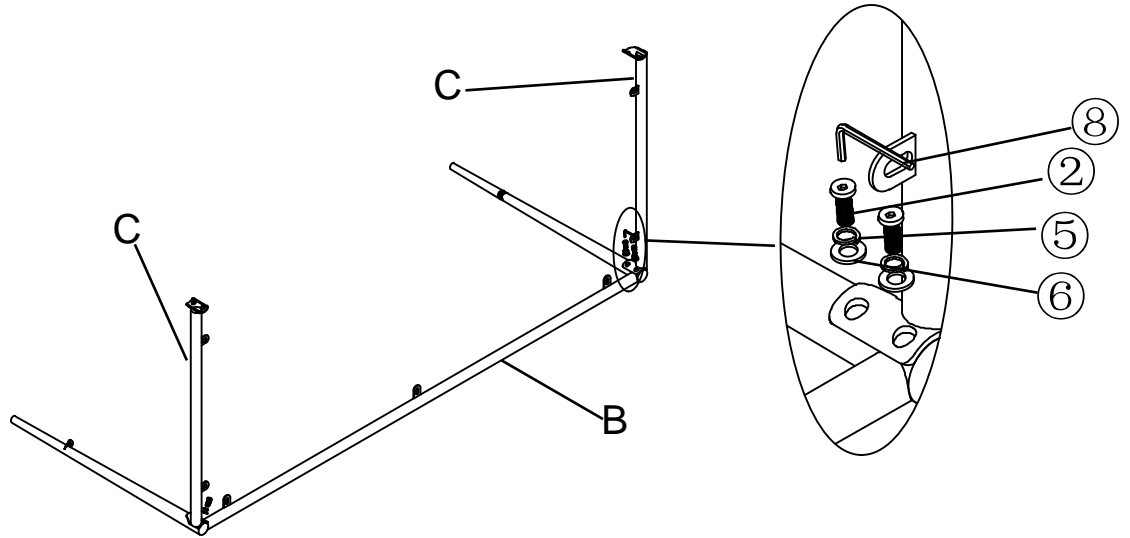
This Dining Table has multiple parts and may require up to 30 minutes to assemble. To give you an overview of the Dining Table, the above picture is to help you put the various parts into perspective. Please read through the instructions below to familiarise yourself with the parts and steps before assembly.

Step 1



Put the Tabletop(A), Metal Leg Frame (B), Upper Rail(C), Footrest(D), Connecting Rode (E), on a clean, non-marring surface.

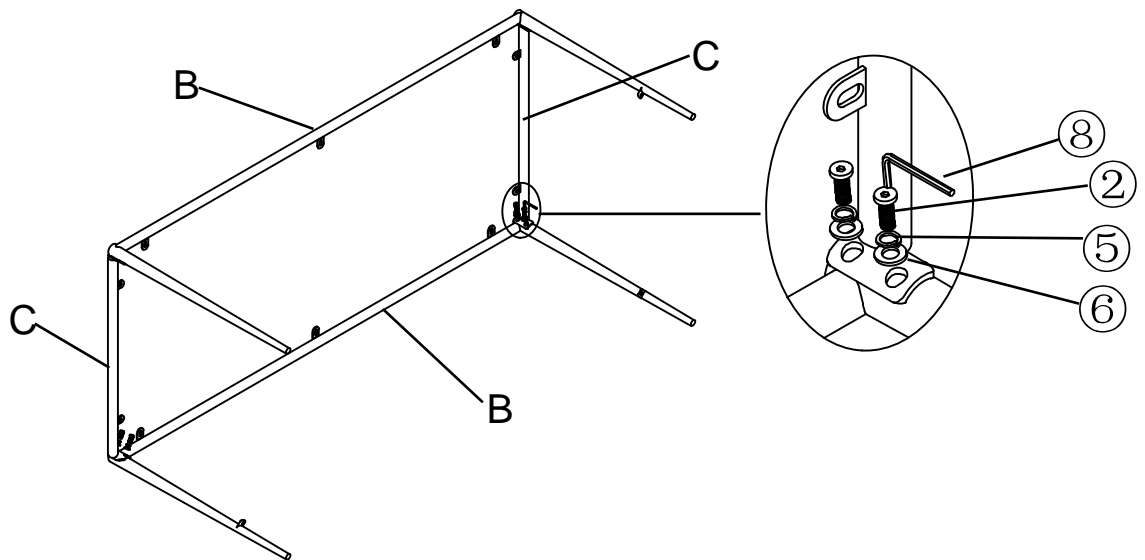
Step 2



Attach the Upper Rail(C) and to the Metal Leg Frame (B) with the Bolts (2) and Spring Washers (5) and Washers (6), and Allen Wrench (8) as shown in the figure above.

Note:Do not fully tighten the Bolts in this step.

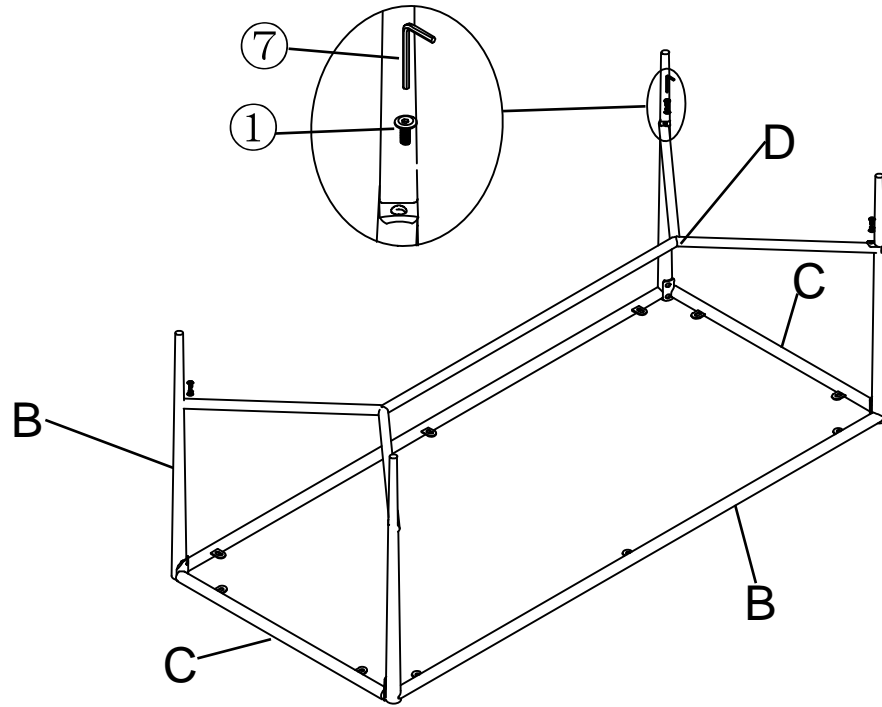
Step 3



Attach the Upper Rail(C) and to the Metal Leg Frame (B) with the Bolts (2) and Spring Washers (5) and Washers (6), and Allen Wrench (8) as shown in the figure above.

Note:Do not fully tighten the Bolts in this step.

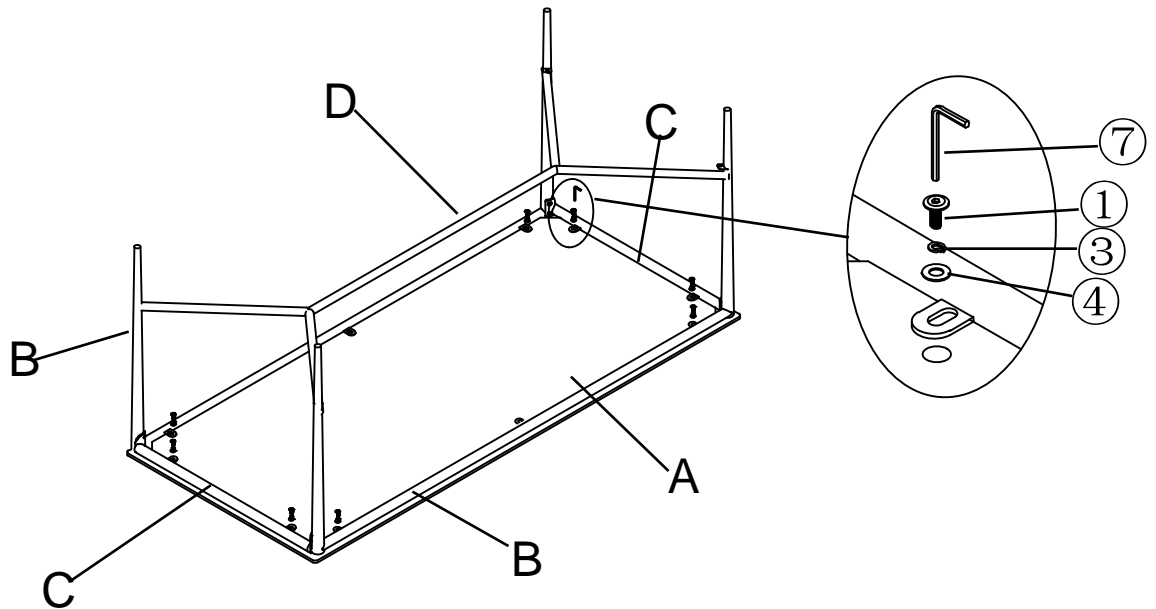
Step 4



Attach the Footrest(D) to the Metal Leg Frame (B) with the Bolts (①)with Allen Wrench (⑦) as shown in the figure above.

Note:Do not fully tighten the Bolts in this step.

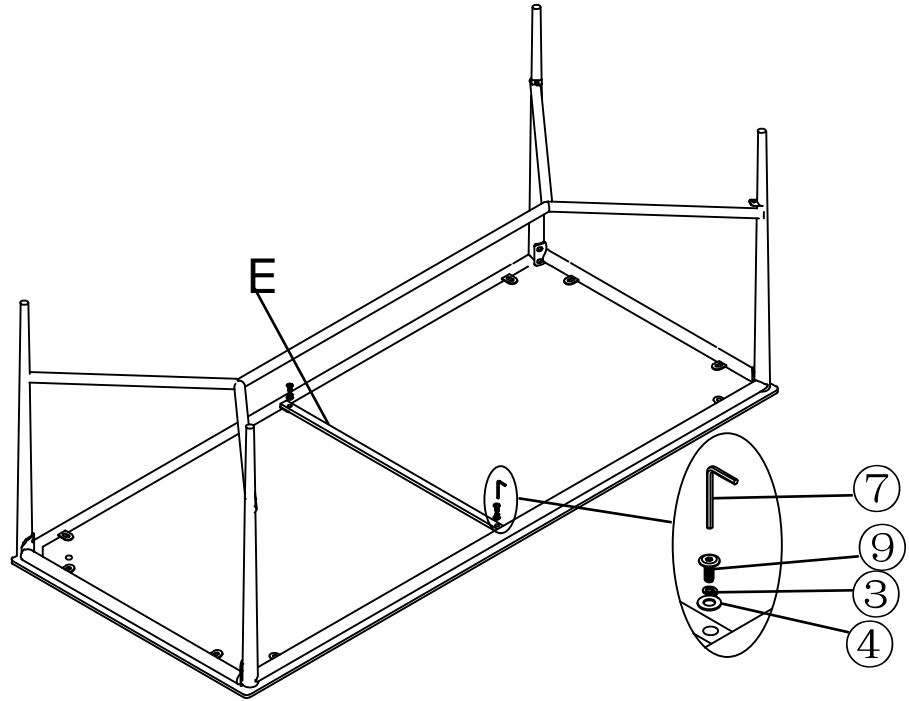
Step 5



Position the Tabletop(A) (bottom-up) as shown above, affix to the Metal Leg Frame(B) and Upper Rail(C). Then using Bolts(①),Spring Washers (③), and Washers (④) with the Allen Wrench (⑦).

Note:Do not fully tighten the Bolts in this step.

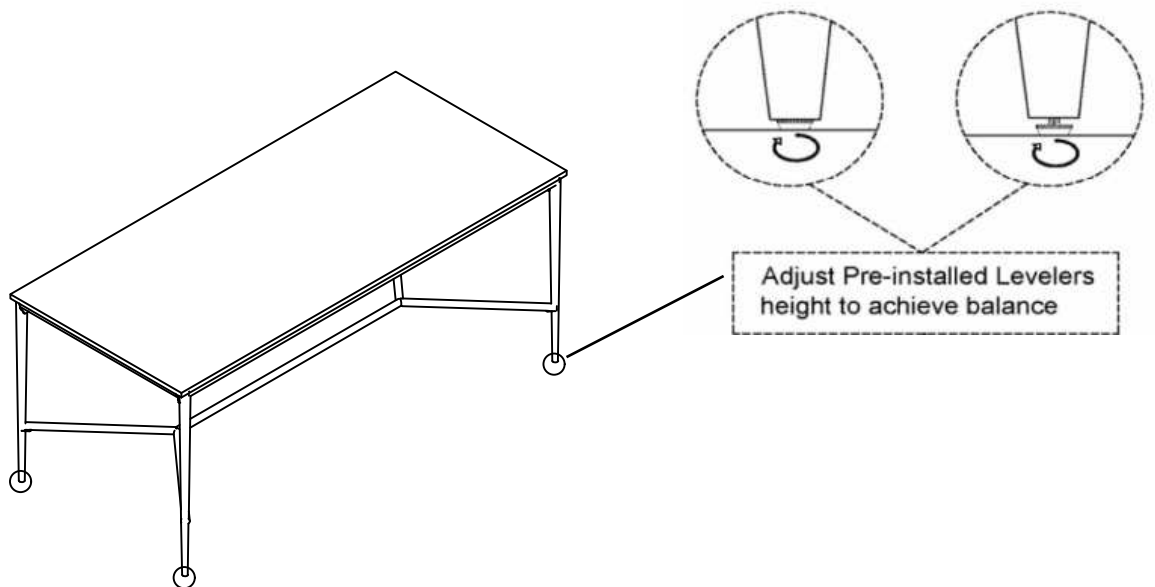
Step 6



Position the Tabletop(A) (bottom-up) as shown above, affix to Connecting Rod(E). Then using Bolts(9), Spring Washers (3), and Washers (4), with the Allen Wrench (7).

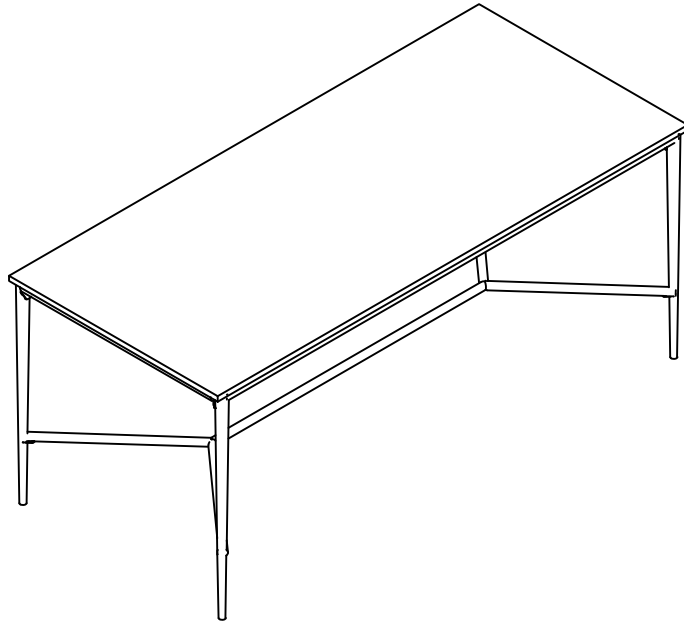
Note: Once the assembly is completed, proceed to fully tighten all bolts sequentially.

Step 7



Adjust the Pre-installed Levelers at the bottom of and Metal Leg Frame (B) until the Dining Table level with the ground.

Step 8



Your Dining Table is ready for use.

This Dining Table can only be used on a flat, level surface.