



LIGHT SOURCE DATA

- 25W Max G9 Halogen (required)
- Lamp direction - Downwards
- Lamp shape - Capsule
- Non-dimmable
- Energy range: A++, A+, A, B, C, D

DIMENSION DATA

- Height 150mm
- Width 80mm
- Depth 140mm

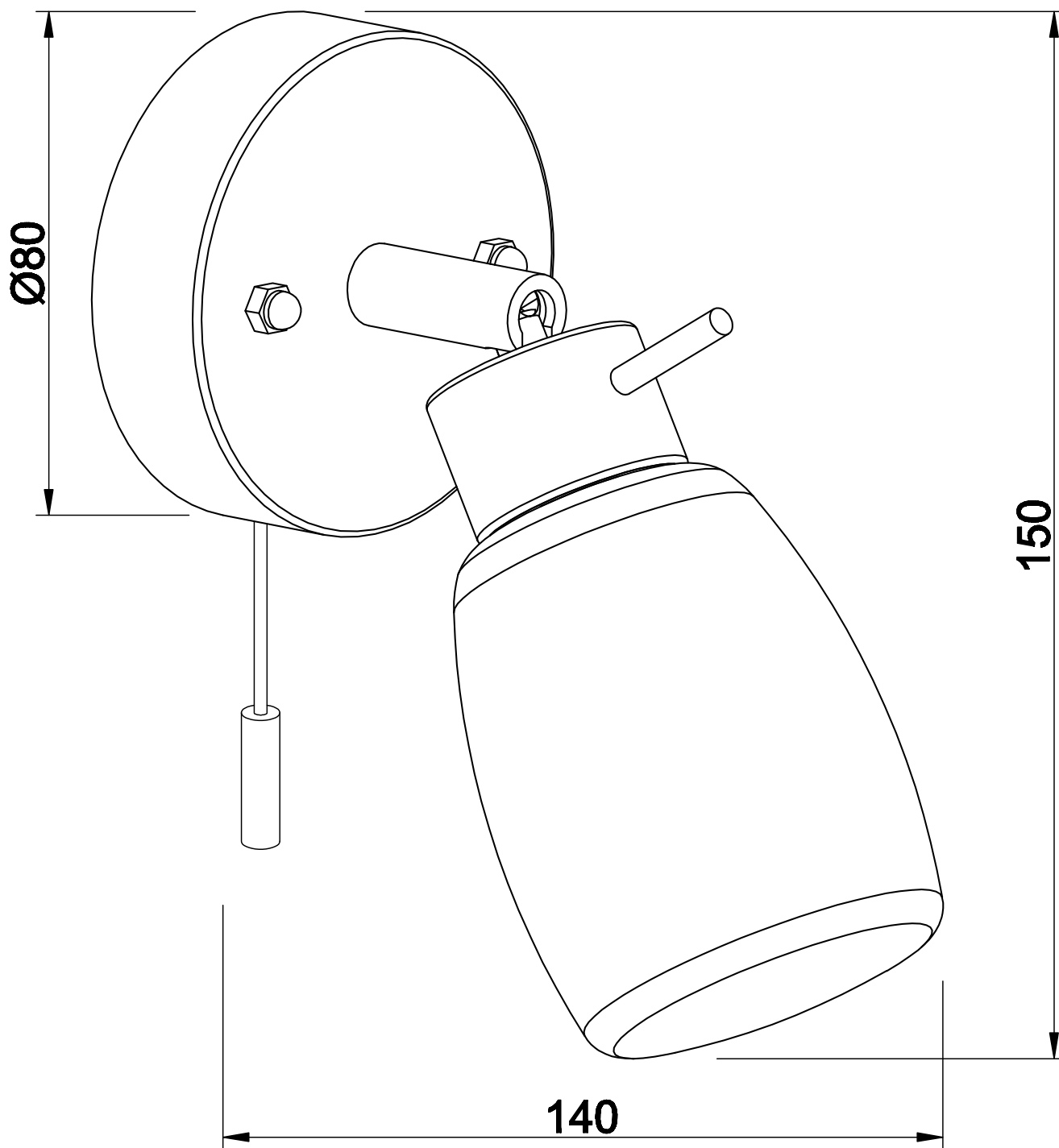
- Weight .2kg

SPECIFICATION

- Manufacturer warranty for 2 years from date of purchase
- Polished chrome plate and opal glass
- IP44
- Pull Cord On/Off Switch
- Class I - Single Insulated, Earthed
- 240V
- Assembly required? No
- CE Marking, Energy Efficient, Energy Saving

CERTIFICATION





CERTIFICATION

