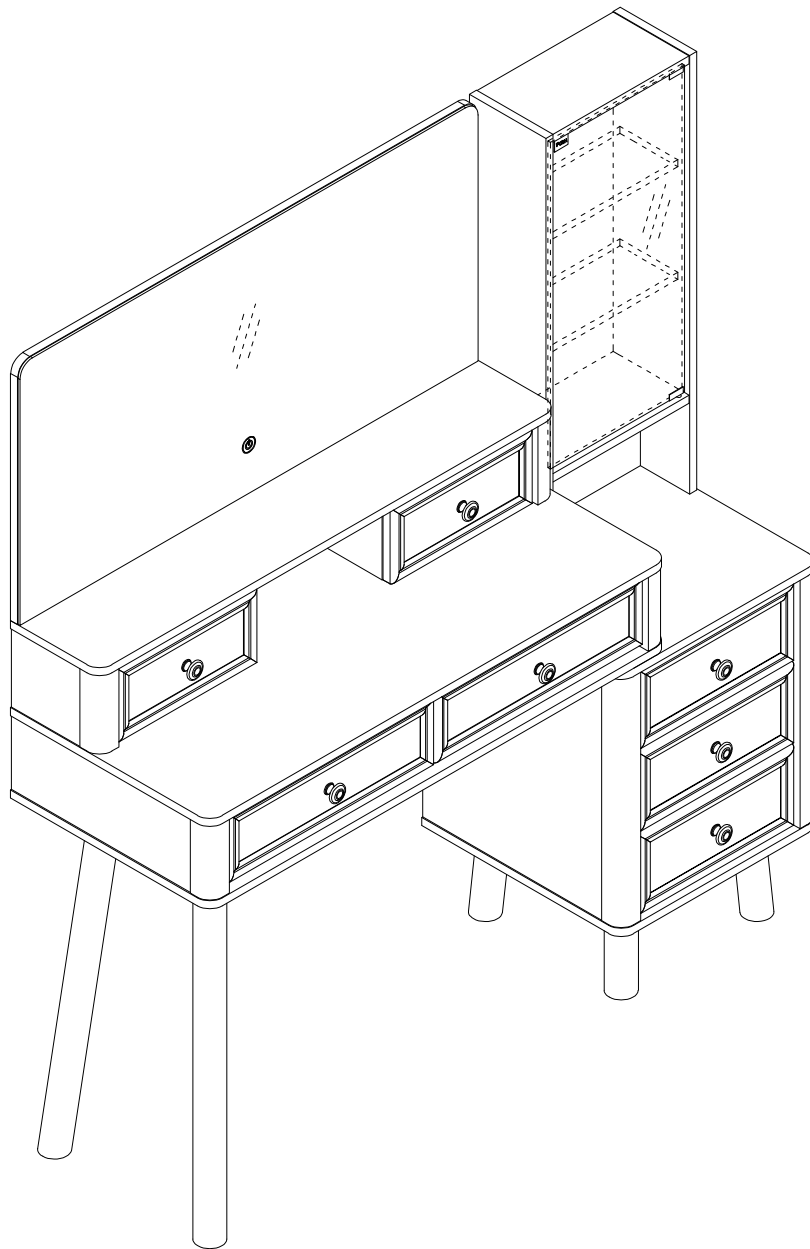
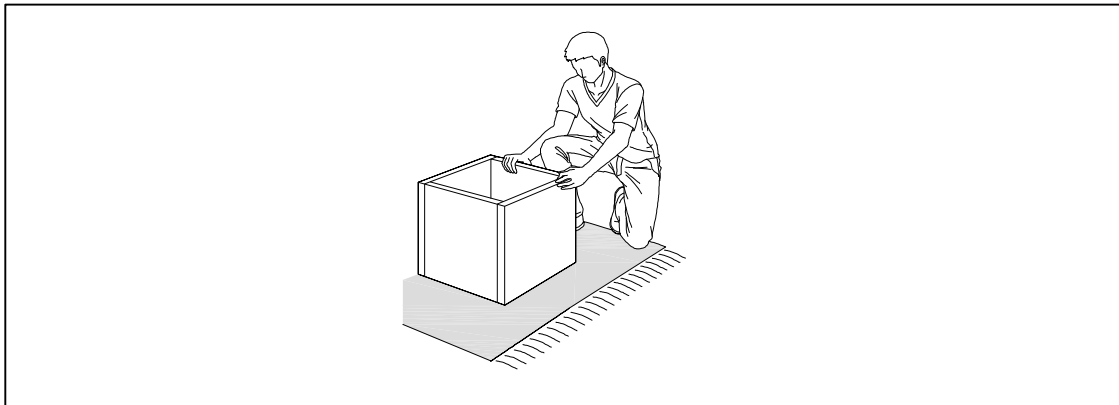
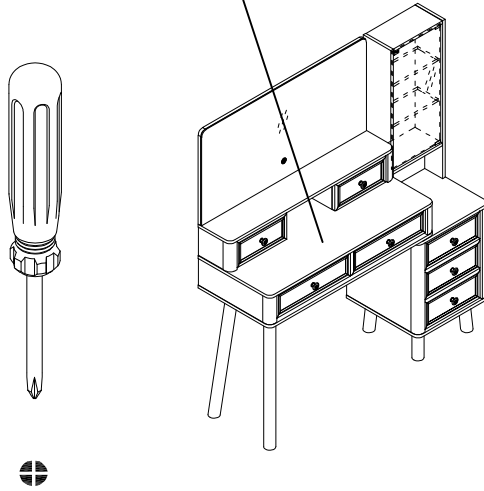


ASSEMBLY INSTRUCTIONS

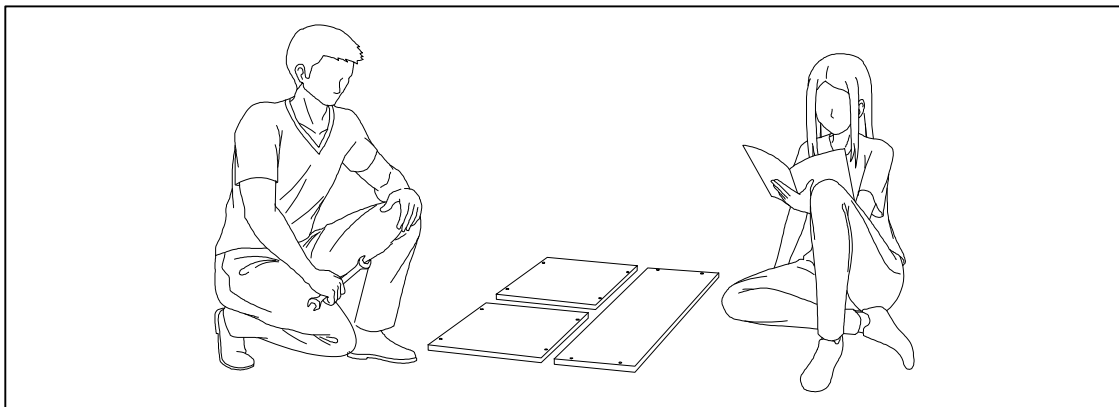


WARNING !

MAXIMUM LOAD
220 lb/ 100kg



Assemble the furniture on empty carton, carpet, or rug to prevent scratches or damage.



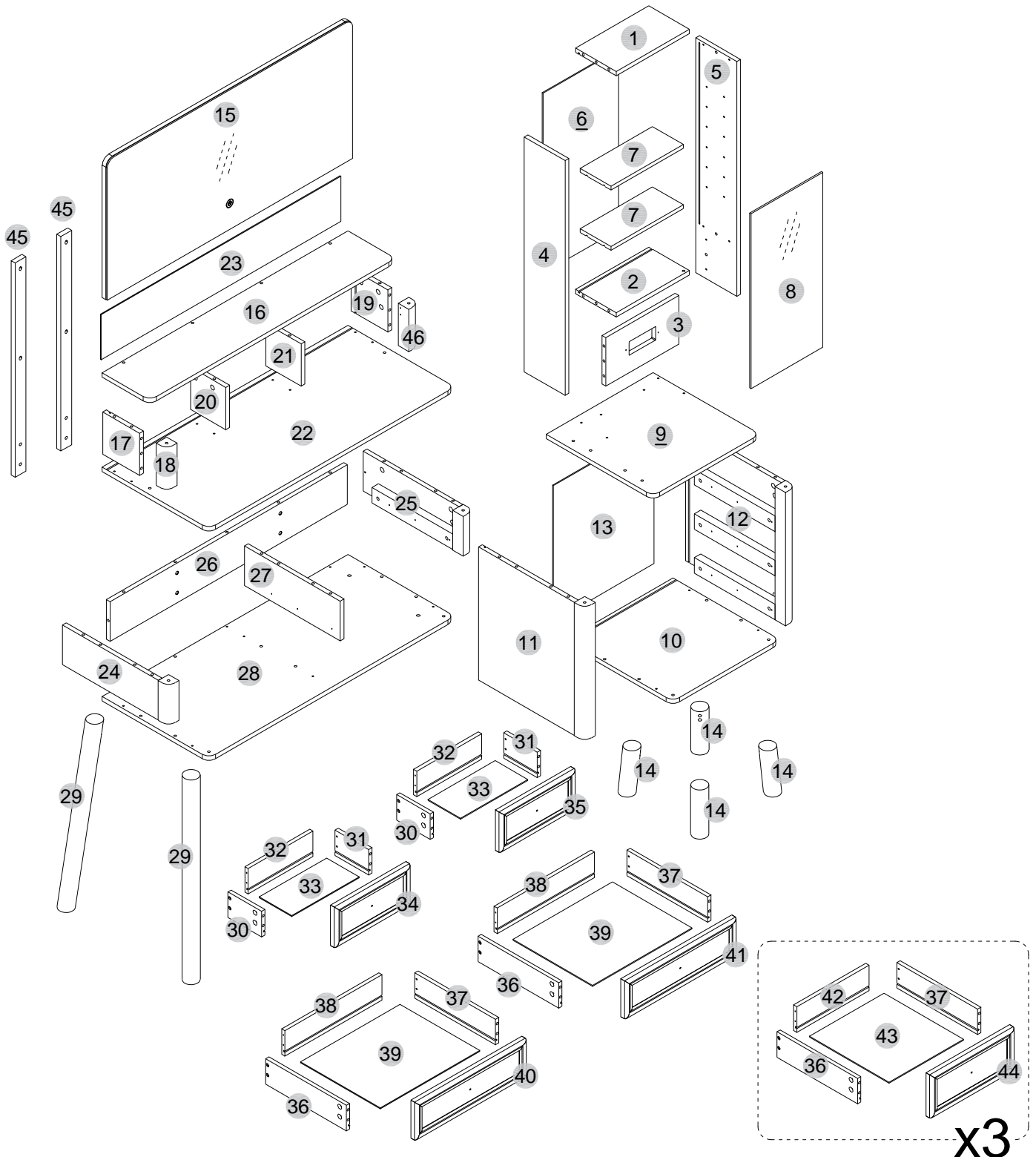
This furniture requires 2 people to assembly.

Make sure no parts are missing or damaged before assembly.

PACKAGE CONTENT

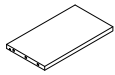
Board Identification

Not actual size

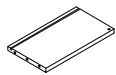


BOARD IDENTIFICATION

Not actual size



1 x1



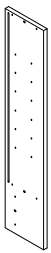
2 x1



3 x1



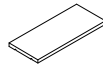
4 x1



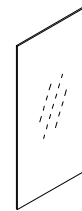
5 x1



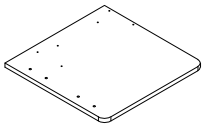
6 x1



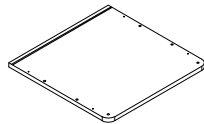
7 x2



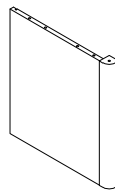
8 x1



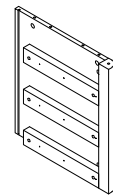
9 x1



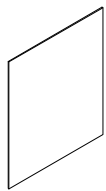
10 x1



11 x1



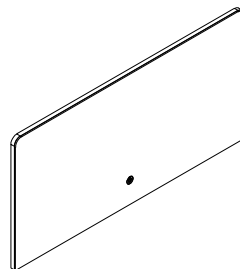
12 x1



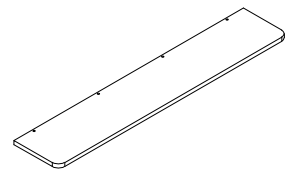
13 x1



14 x4



15 x1



16 x1



17 x1



18 x1



19 x1



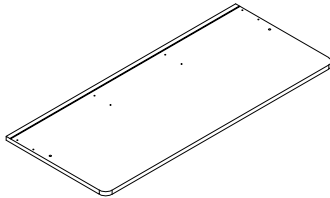
20 x1

BOARD IDENTIFICATION

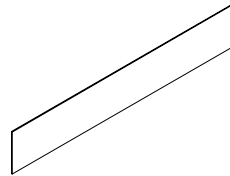
Not actual size



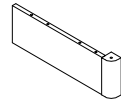
21 x1



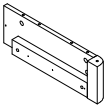
22 x1



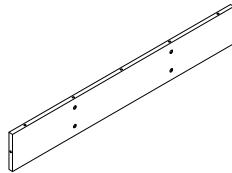
23 x1



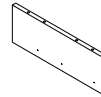
24 x1



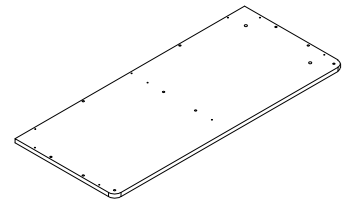
25 x1



26 x1



27 x1



28 x1



29 x2



30 x2



31 x2



32 x2



33 x2



34 x1



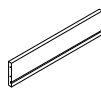
35 x1



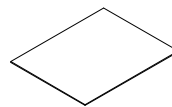
36 x5



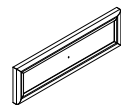
37 x5



38 x2



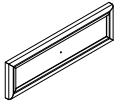
39 x2



40 x1

BOARD IDENTIFICATION

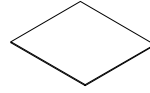
Not actual size



41 x1



42 x3



43 x3



44 x3

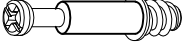






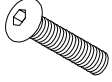



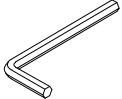

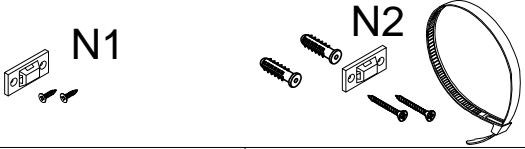

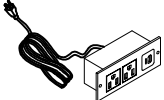

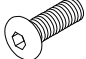
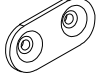
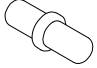
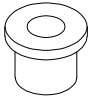
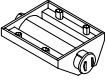



45 x2



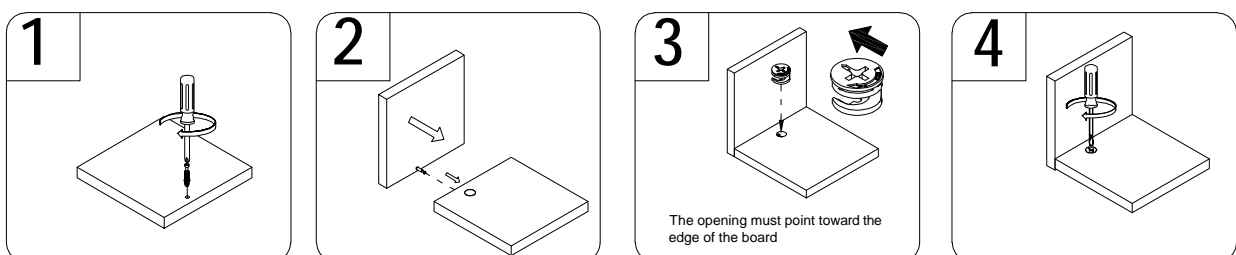
46 x1

HARDWARE LIST

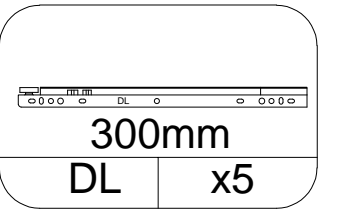
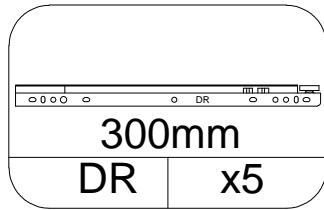
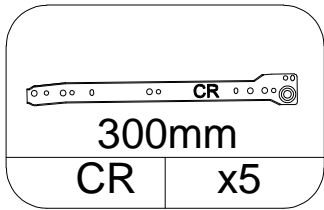
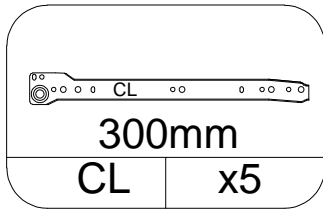
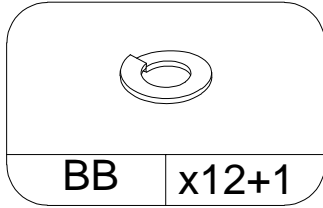
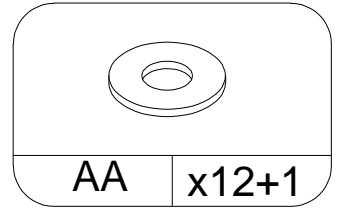
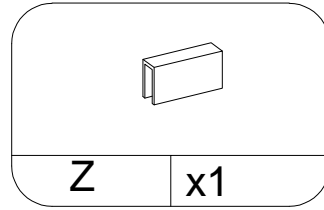
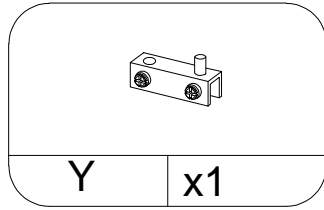
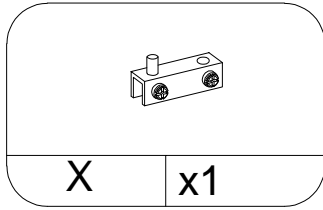
			
A	B	C	D
x67+3	Ø15x9 x67+3	Ø8x30 x46+2	Ø6x50 x25+2
			
E	F	G	H
Ø3.5X12 x68+3	x1	Ø3x17 x20+2	M6x50 x12+1
			
I	J	K	L
M4x12 x7	x7	x2	x1
			
M	N		O
Ø4*38 x28+2	x2		x1
			
P	Q	R	S
x1	Ø8x20 x6	M6x25 x10+1	x3
			
T	U	V	W
Ø5x16 x8	x2	x1	M3x15 x8

Cam Lock Fastening System

Insert the cam bolt into the hole first, then insert the cam lock and lock it.

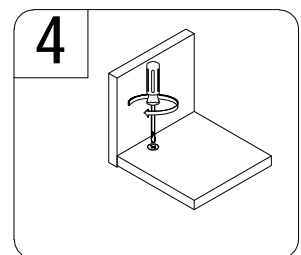
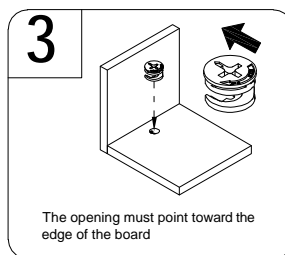
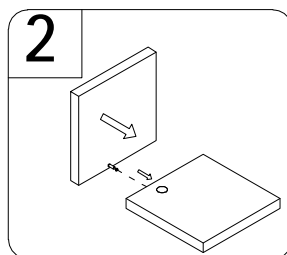
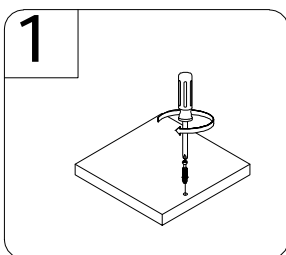


HARDWARE LIST

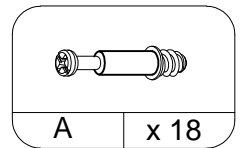
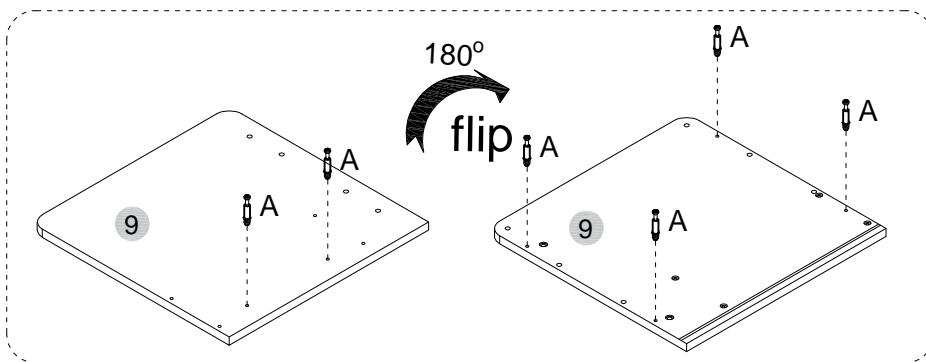
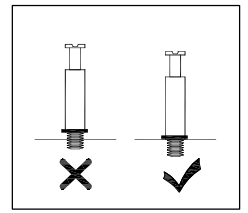
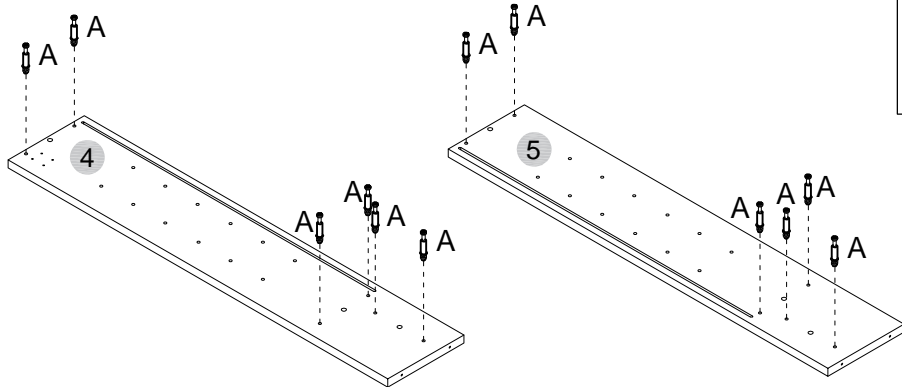
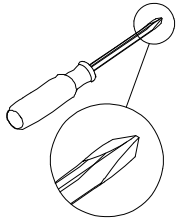


Cam Lock Fastening System

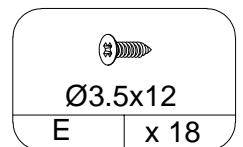
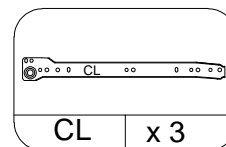
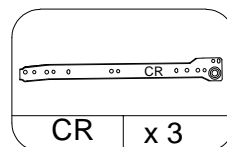
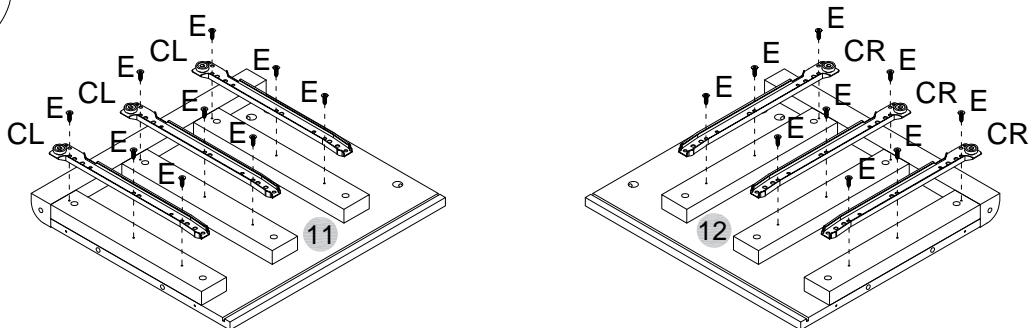
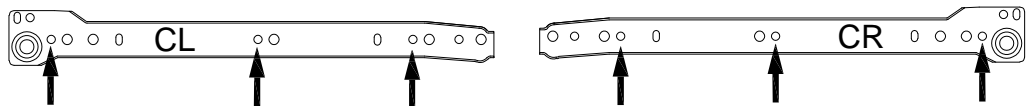
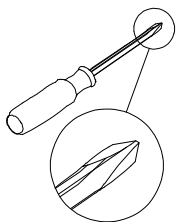
Insert the cam bolt into the hole first, then insert the cam lock and lock it.



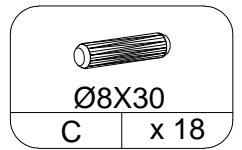
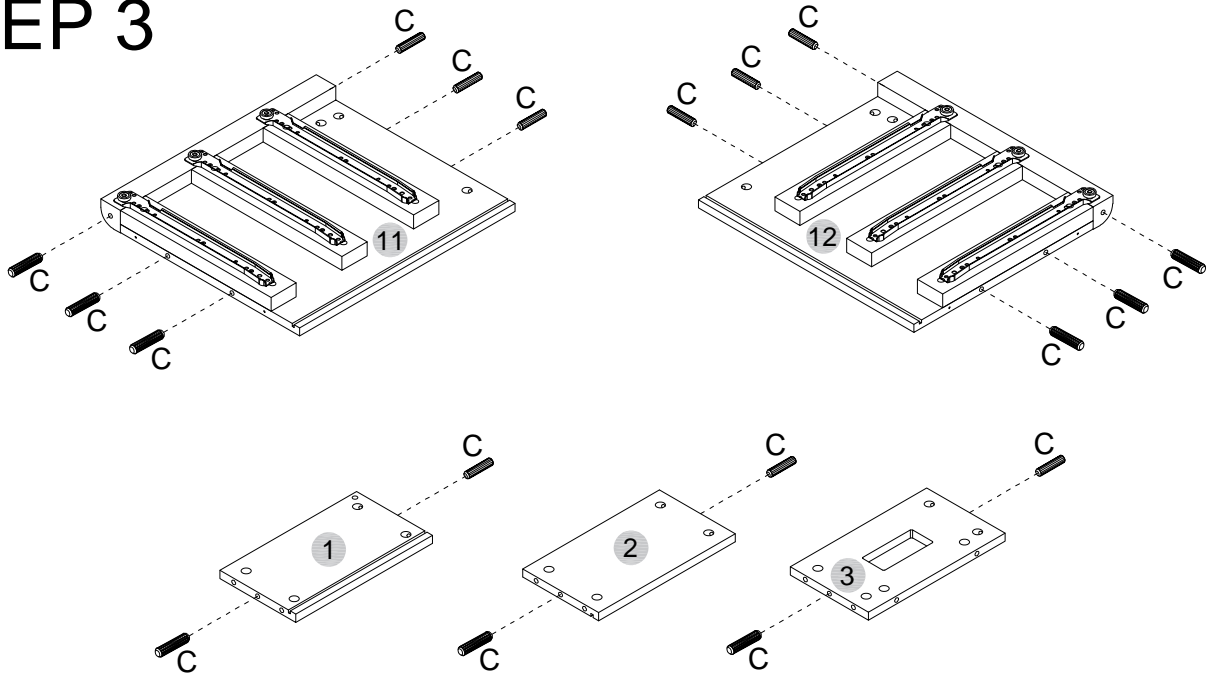
STEP 1



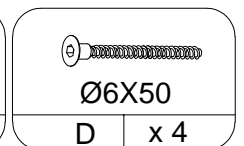
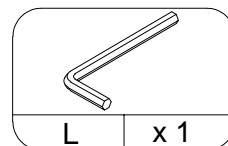
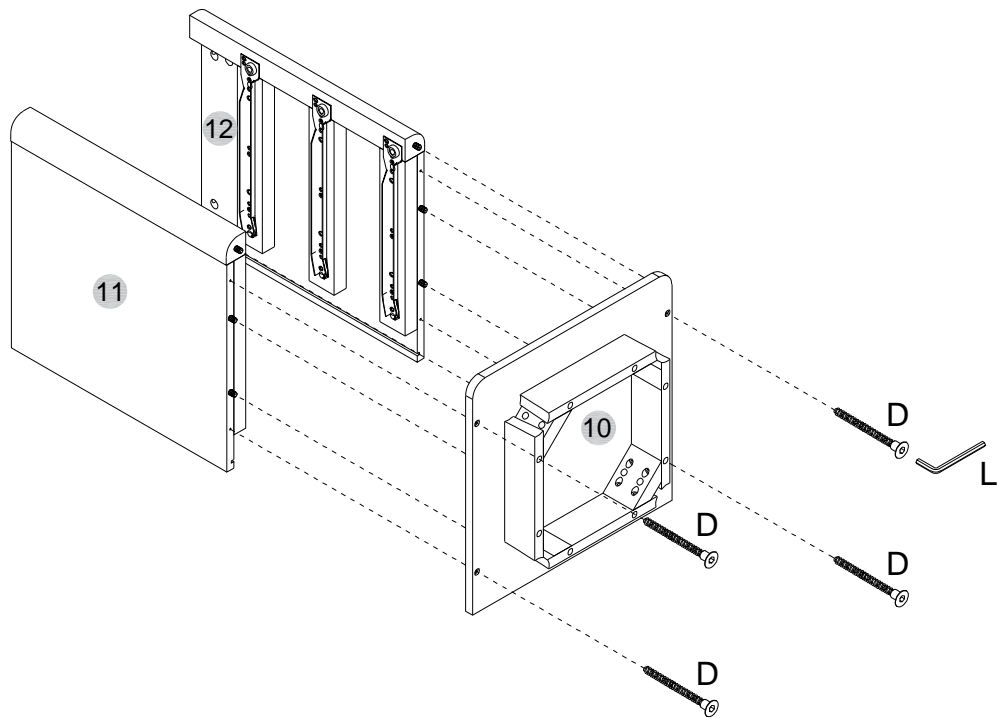
STEP 2



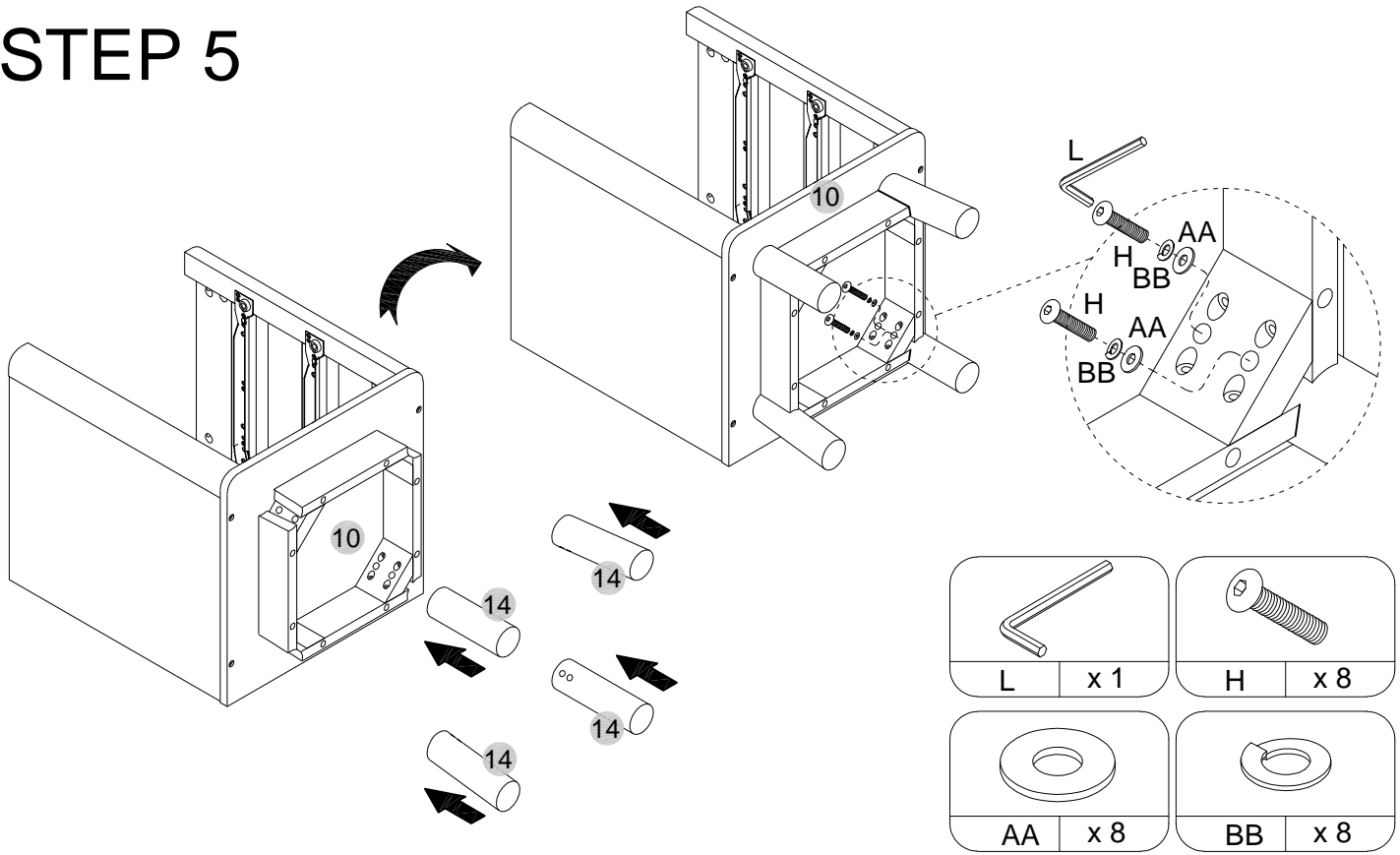
STEP 3



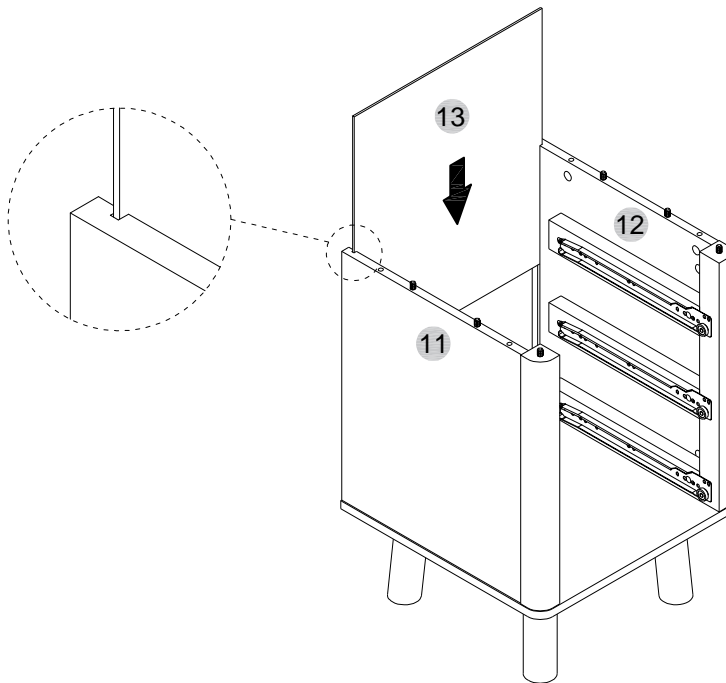
STEP 4



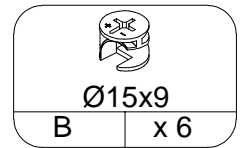
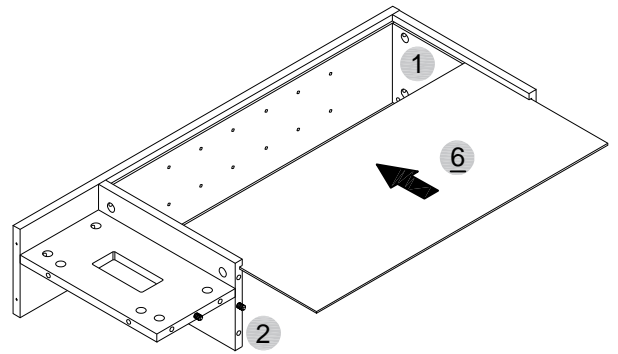
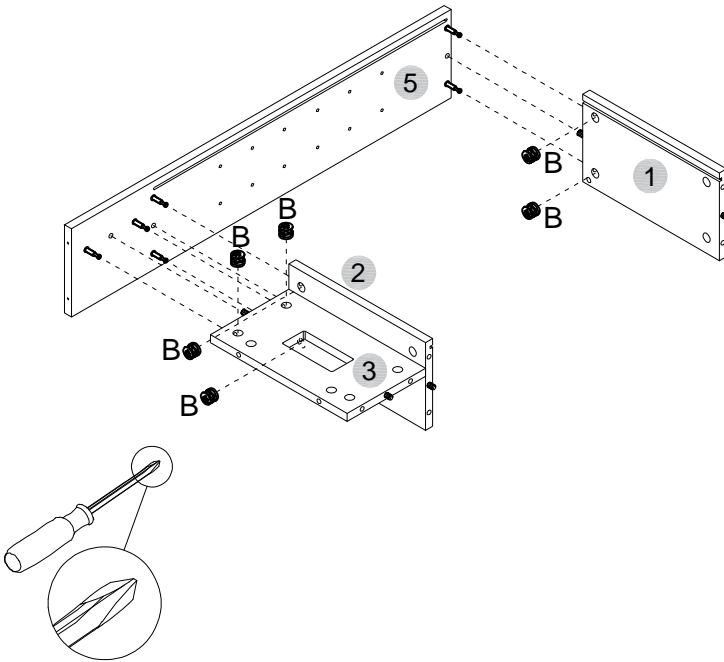
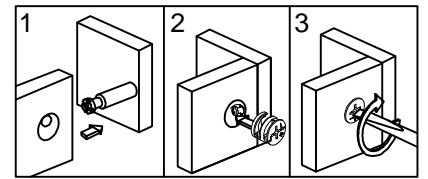
STEP 5



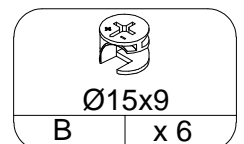
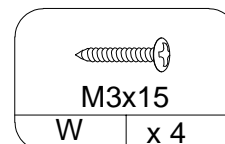
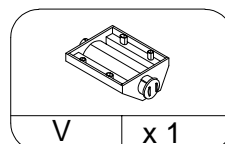
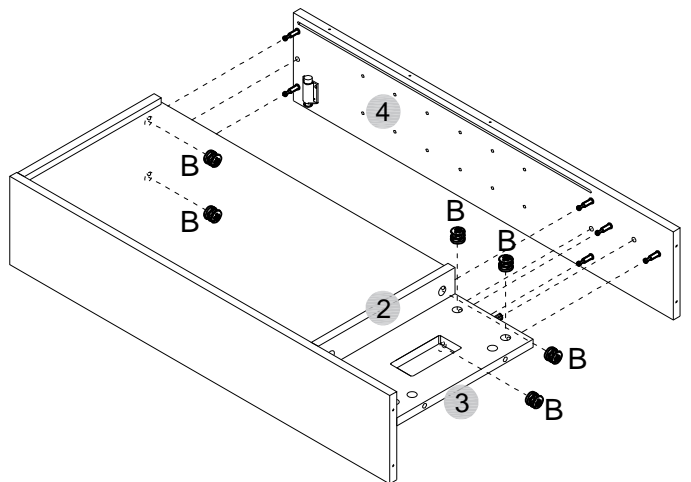
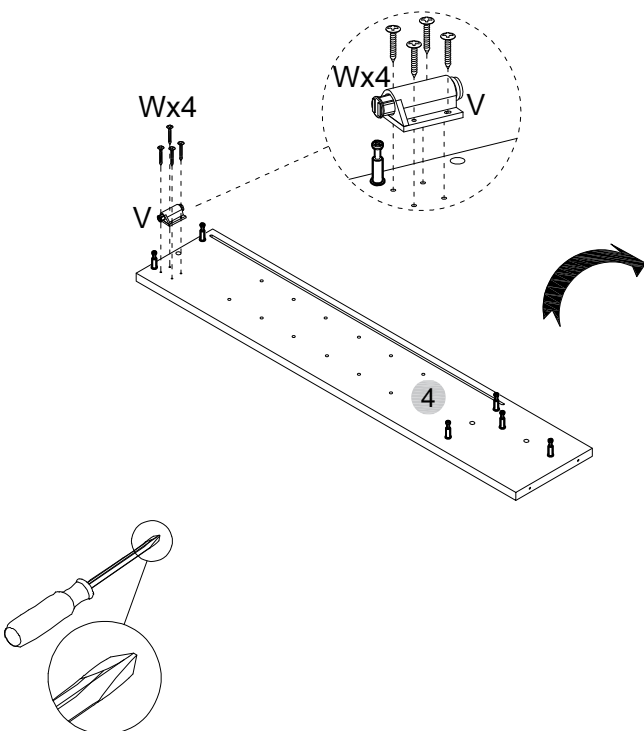
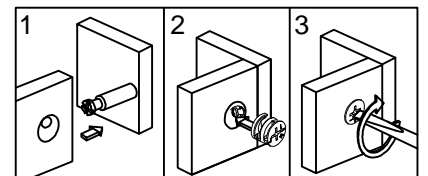
STEP 6



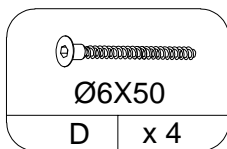
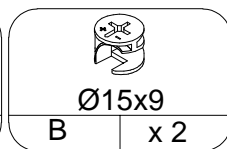
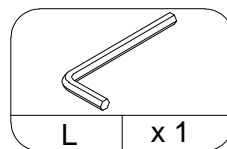
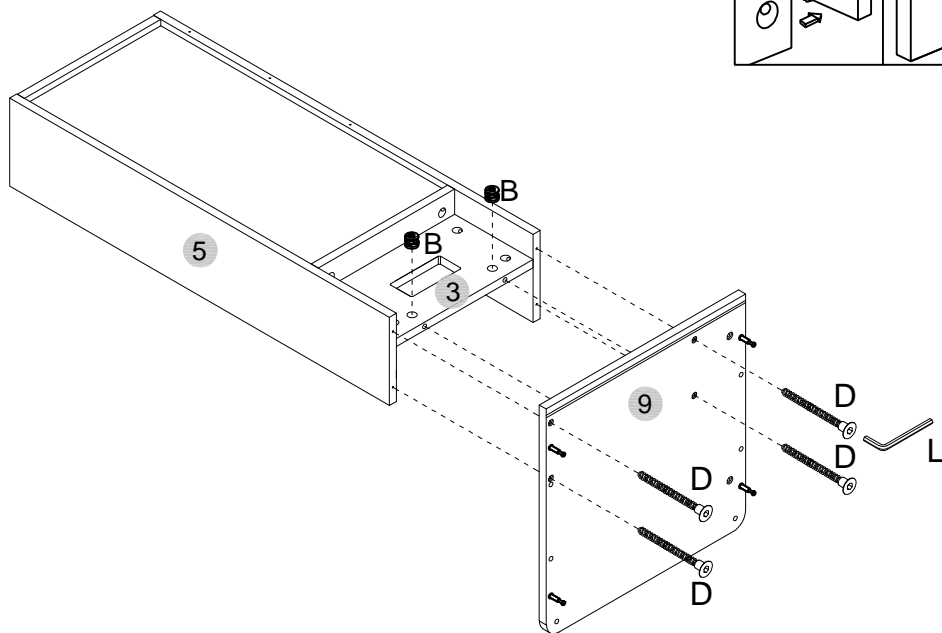
STEP 7



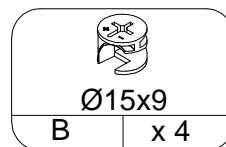
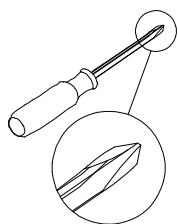
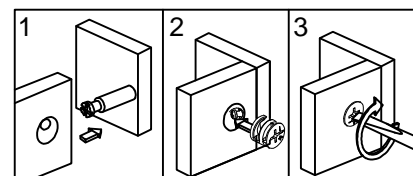
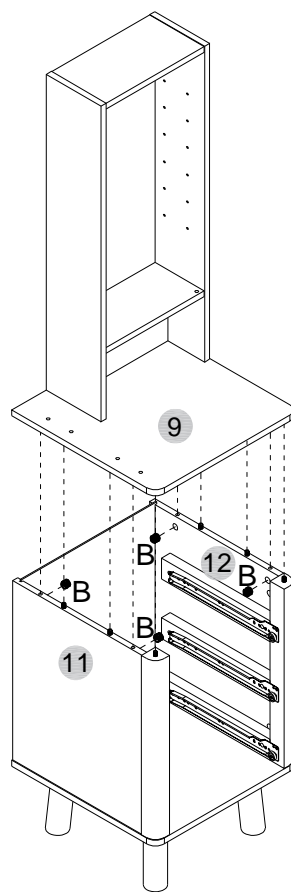
STEP 8



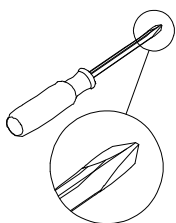
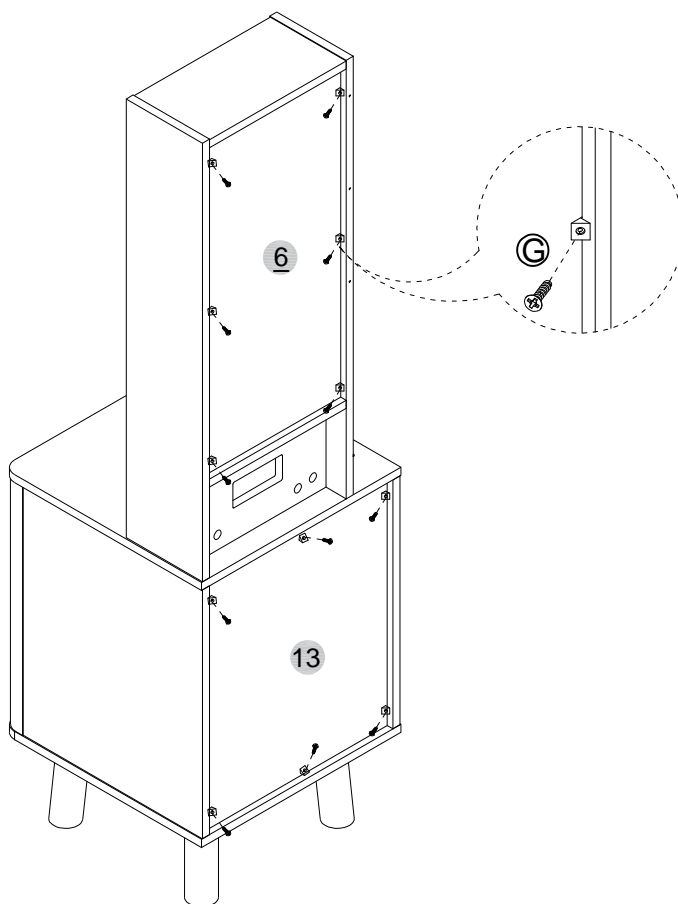
STEP 9



STEP 10

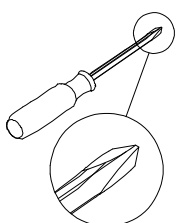
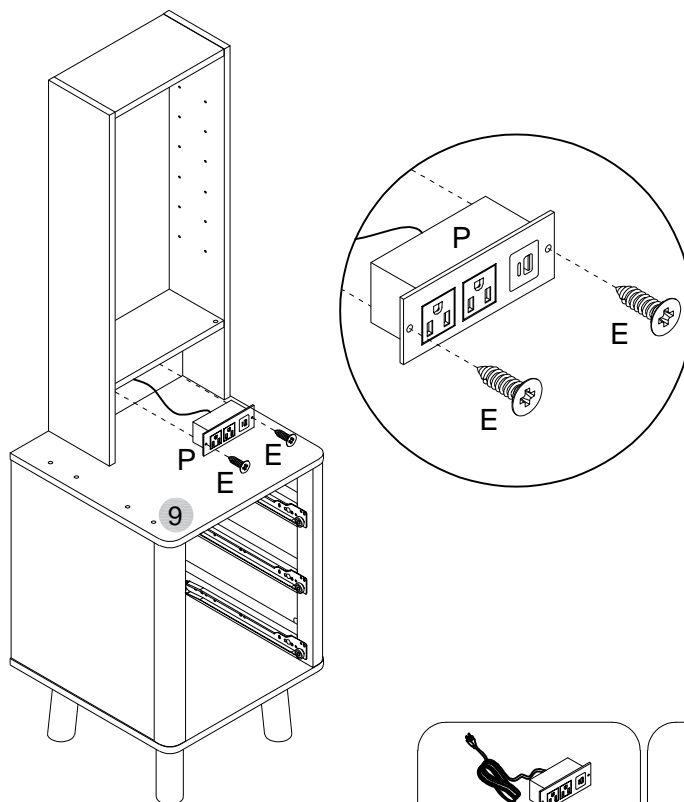


STEP 11



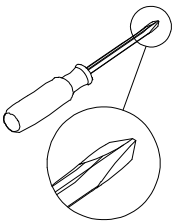
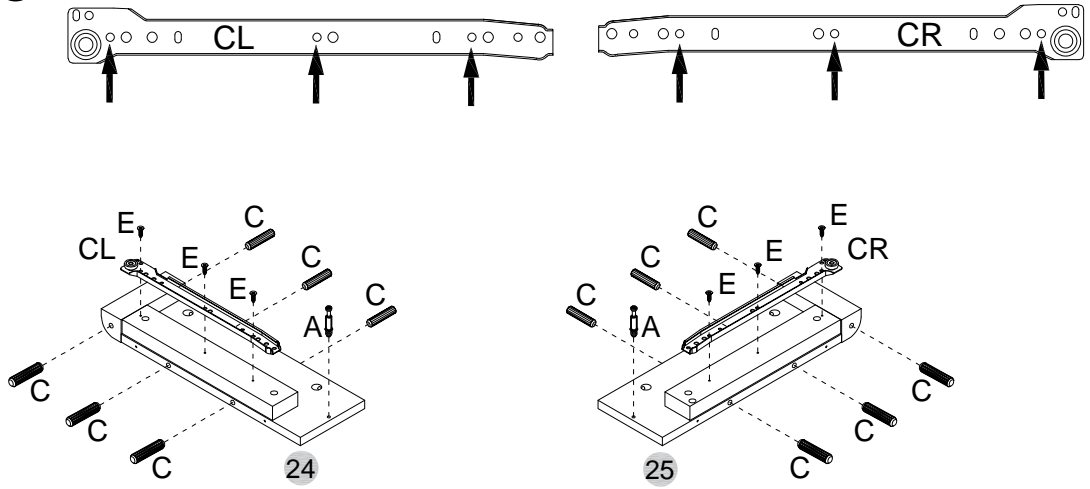
G	Ø3x17 x 12


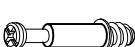
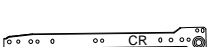


STEP 12



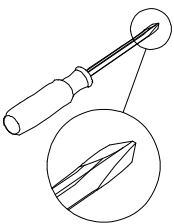
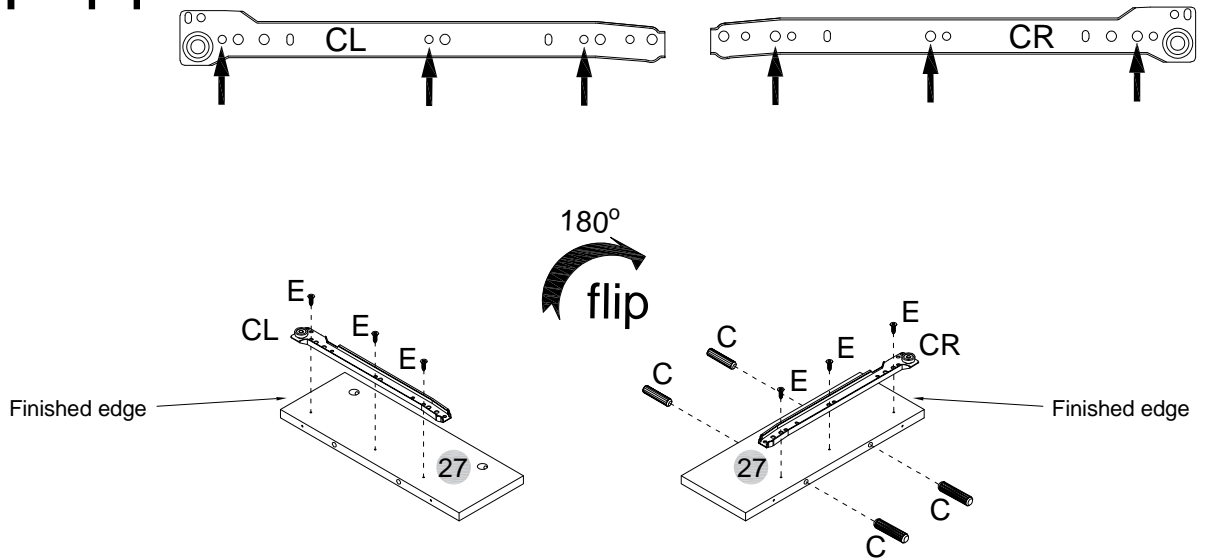
P	Ø3.5x12 E
x 1	x 2


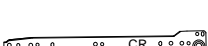


STEP 13



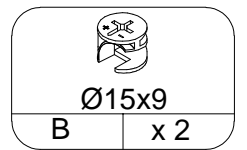
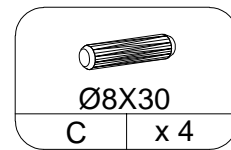
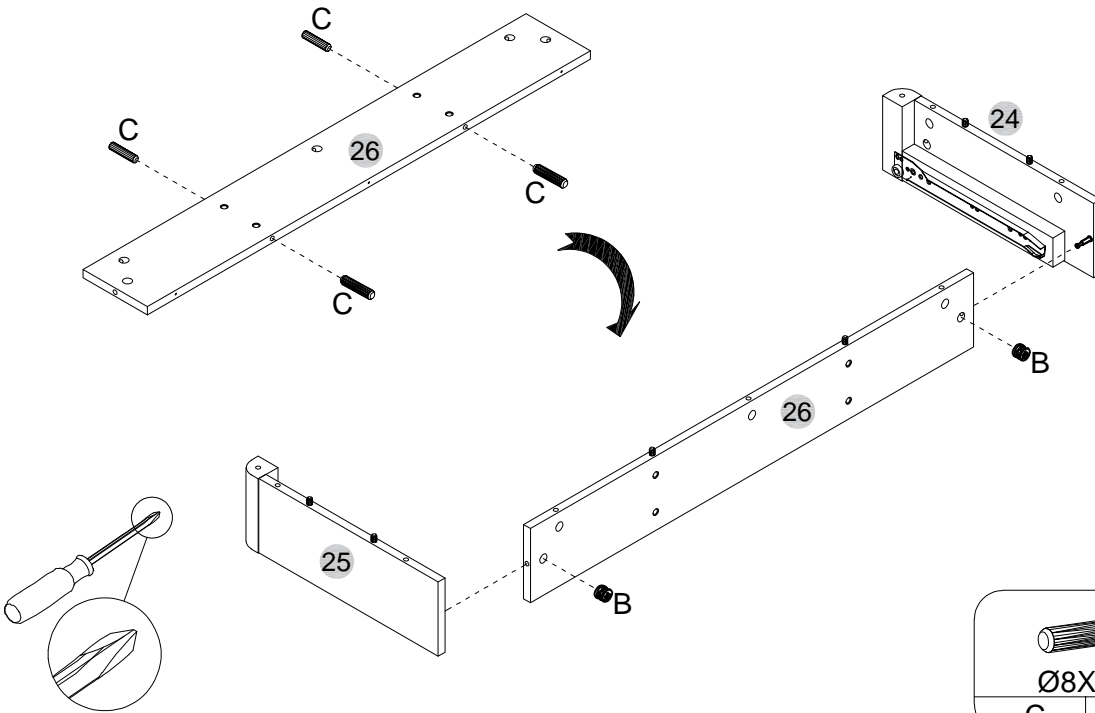
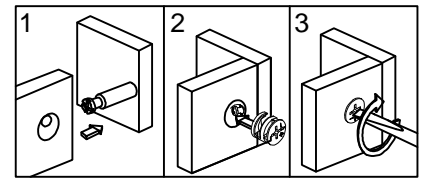
				
Ø8X30				Ø3.5x12
C	A	CR	CL	E
x 12	x 2	x 1	x 1	x 6

STEP 14

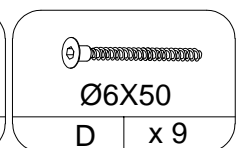
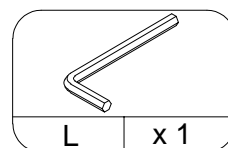
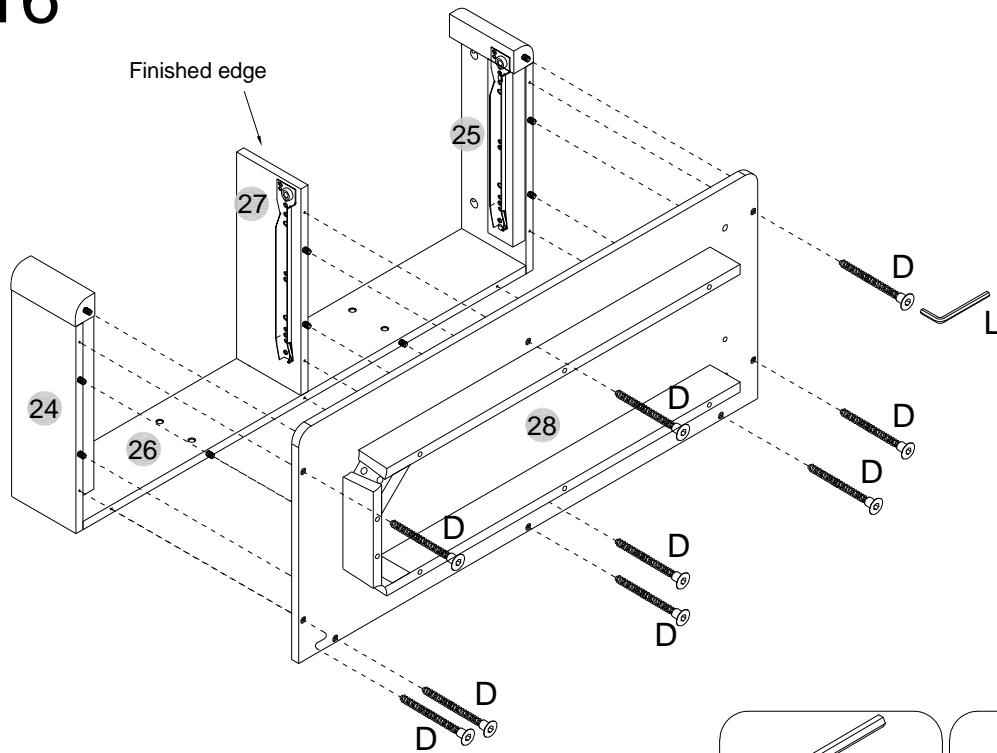


			
Ø8X30			Ø3.5x12
C	CR	CL	E
x 4	x 1	x 1	x 6

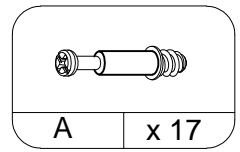
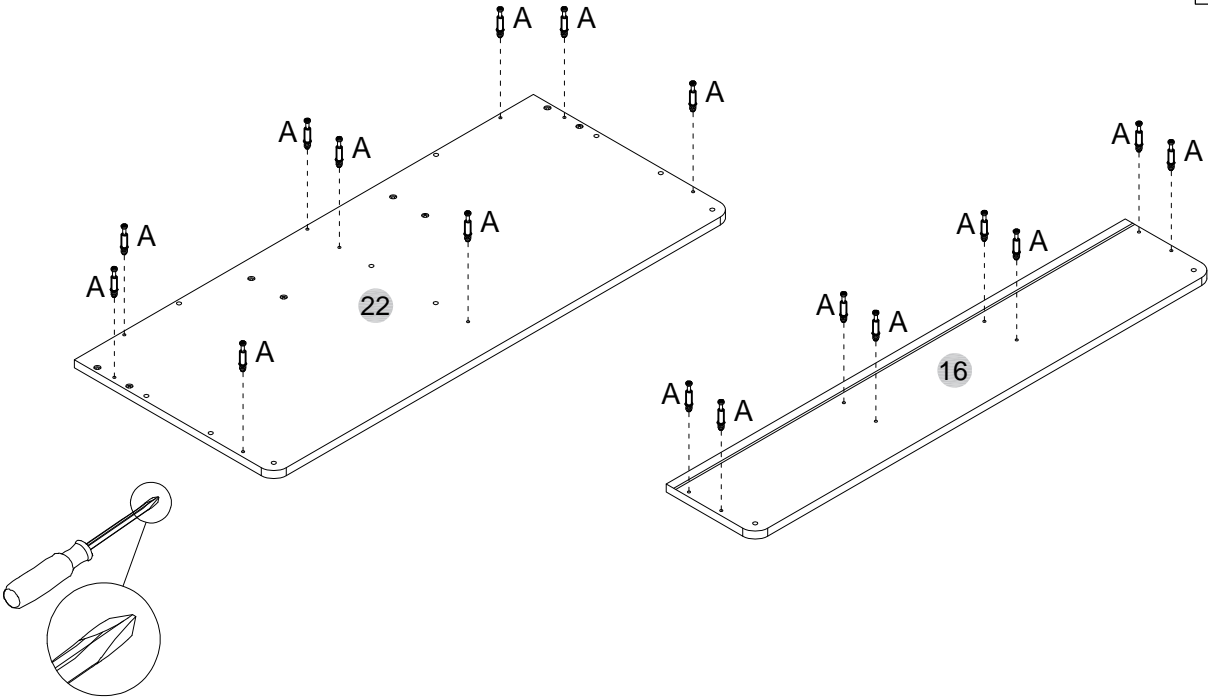
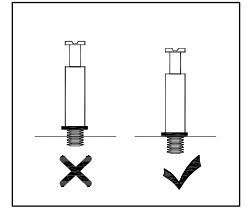
STEP 15



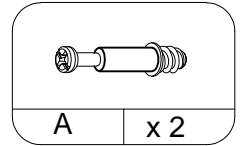
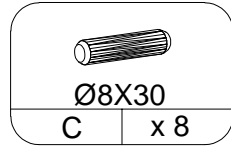
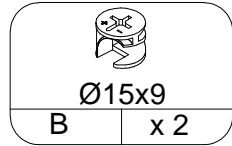
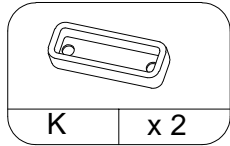
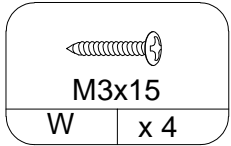
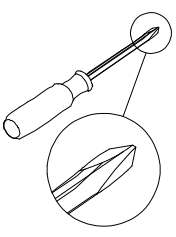
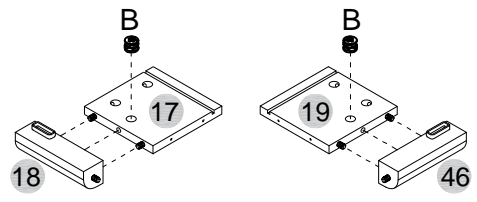
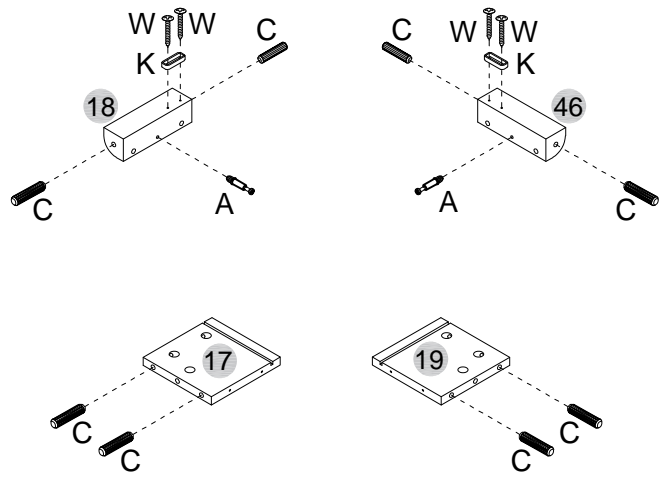
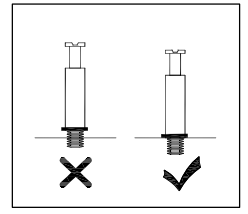
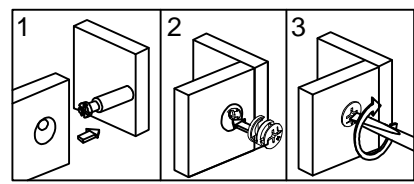
STEP 16



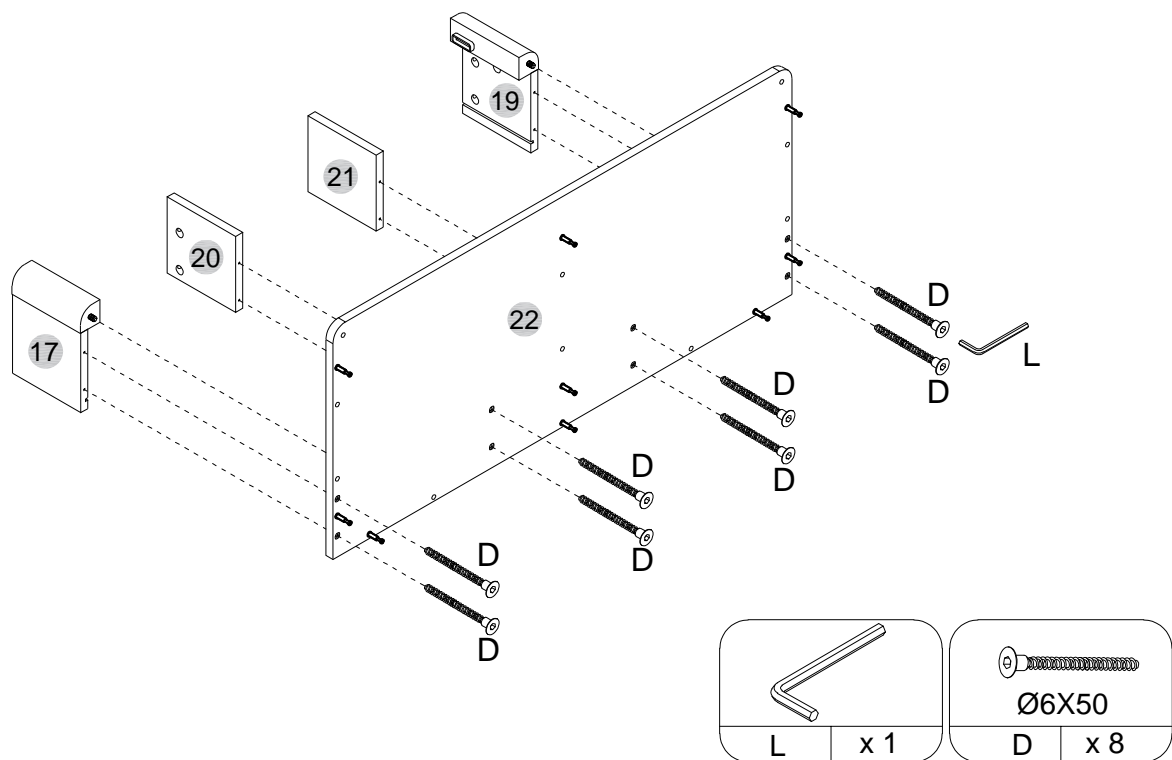
STEP 17



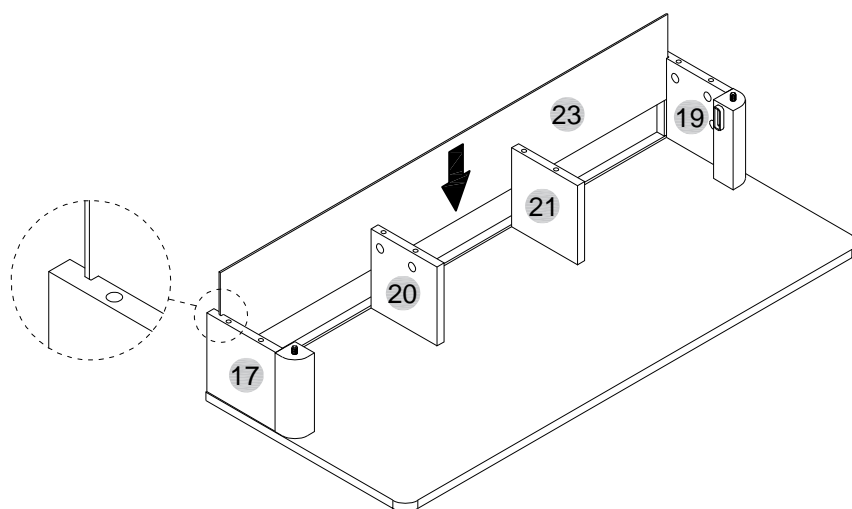
STEP 18



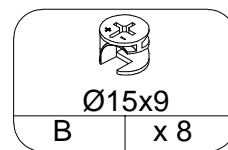
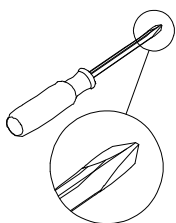
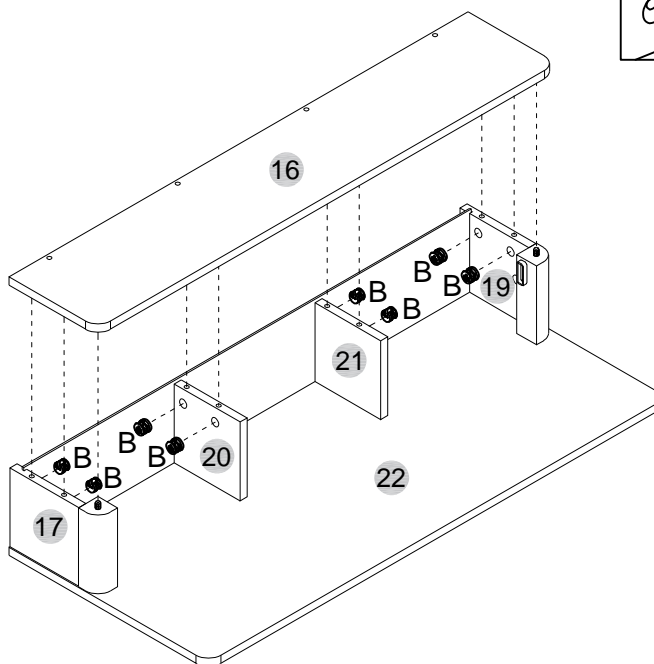
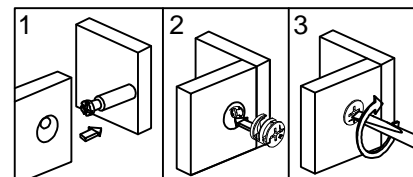
STEP 19



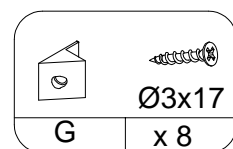
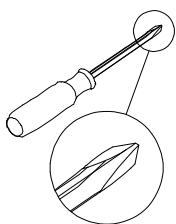
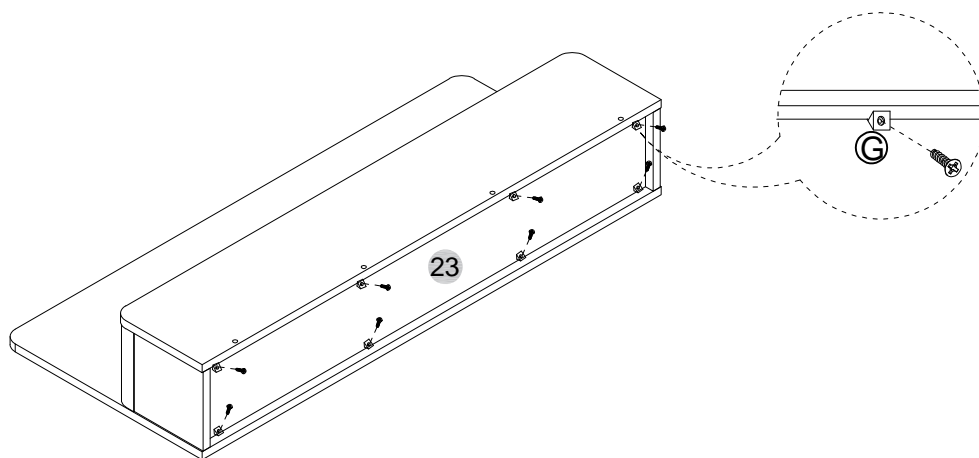
STEP 20



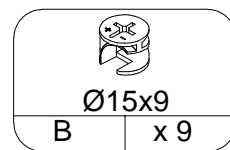
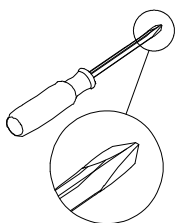
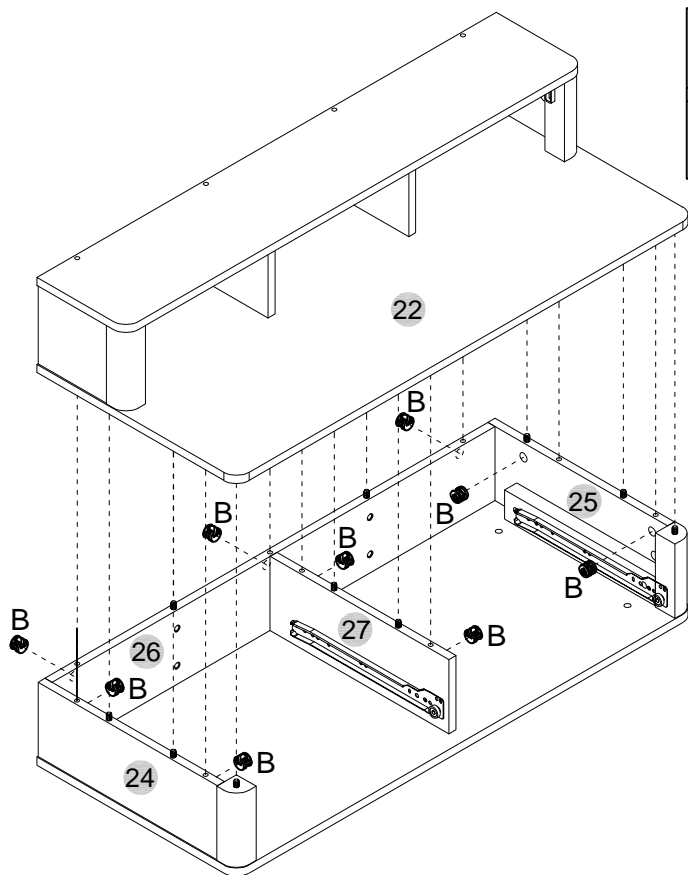
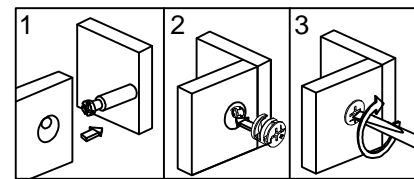
STEP 21



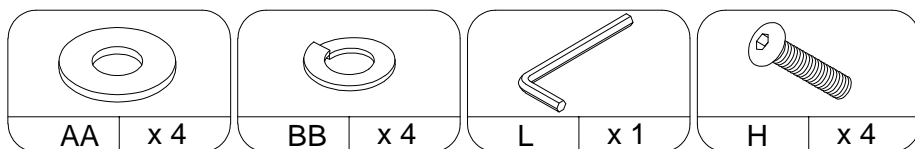
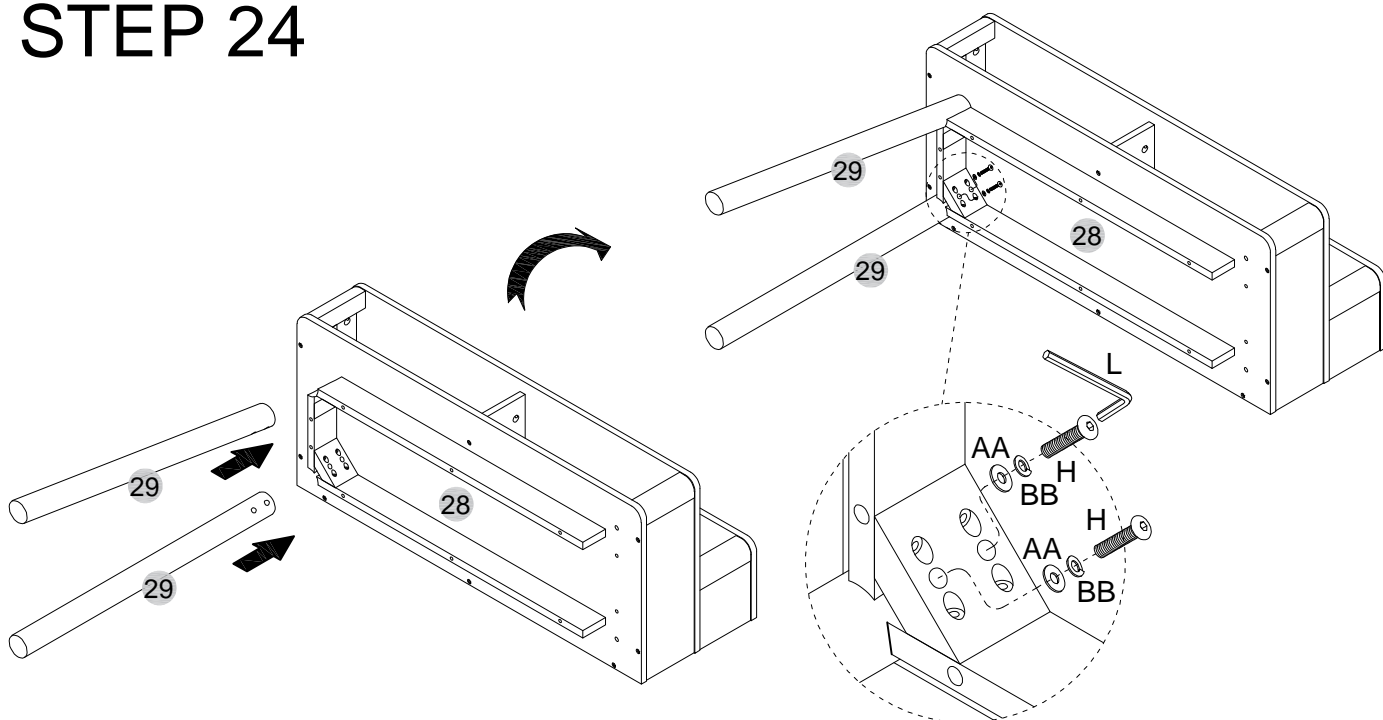
STEP 22



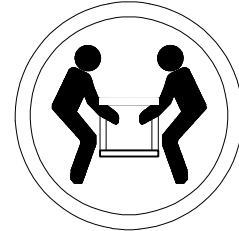
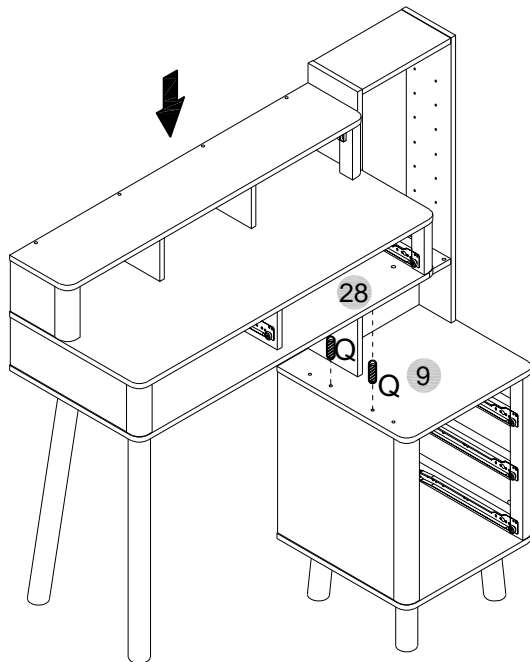
STEP 23



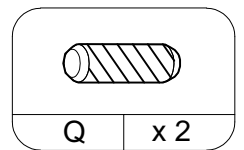
STEP 24



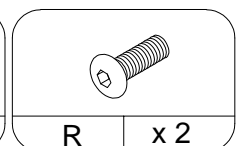
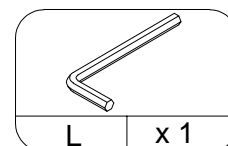
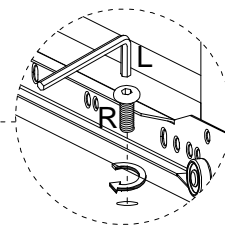
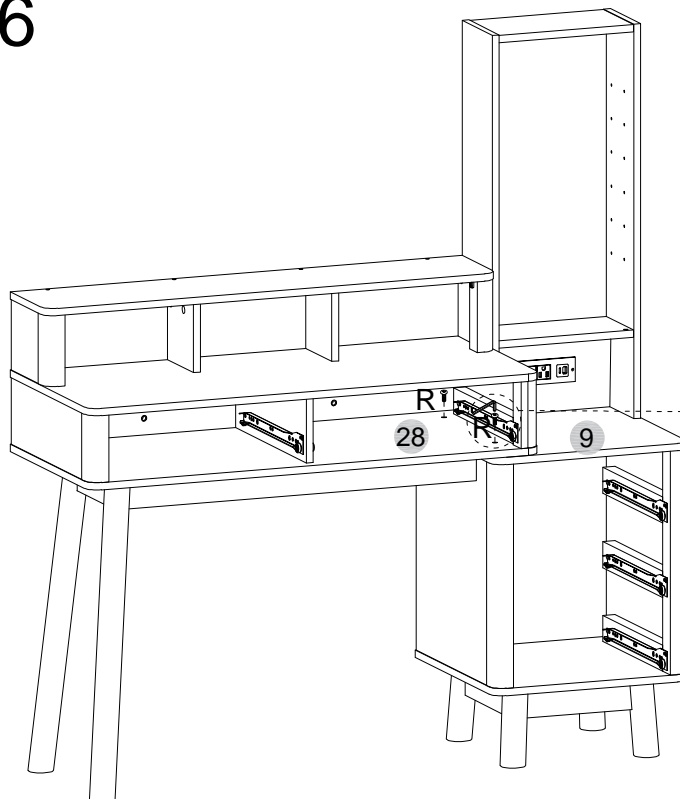
STEP 25



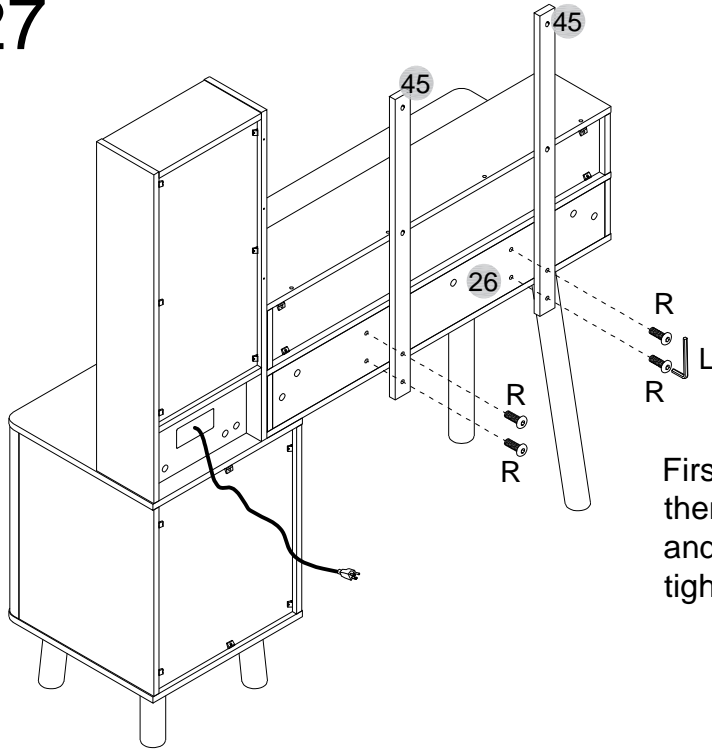
CAUTION: Heavy! You may need assistance with this step.



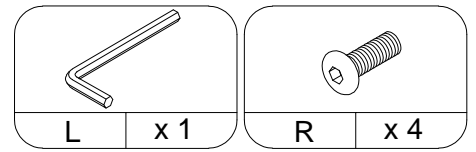
STEP 26



STEP 27



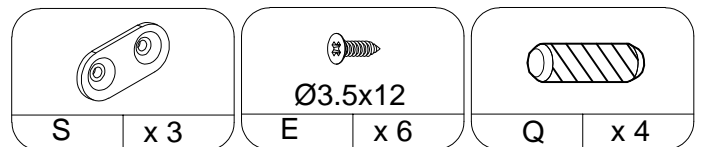
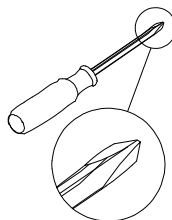
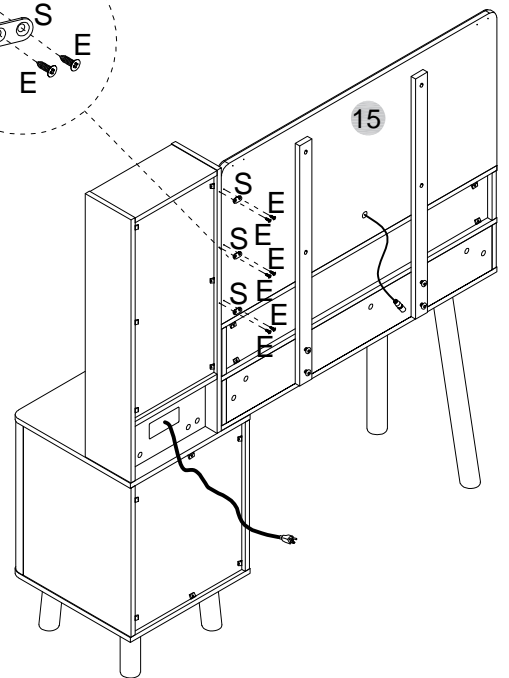
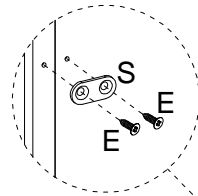
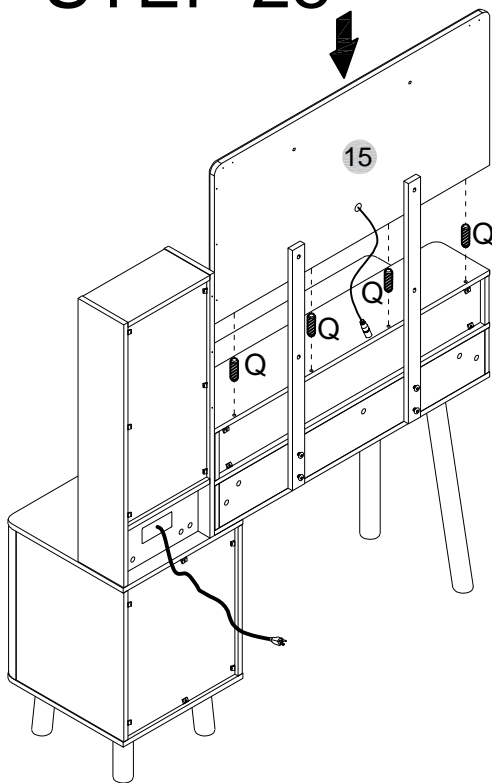
First tighten the 4 bolts to 50%, then assemble the Step 28 and Step 29 before fully tightening to 100%.



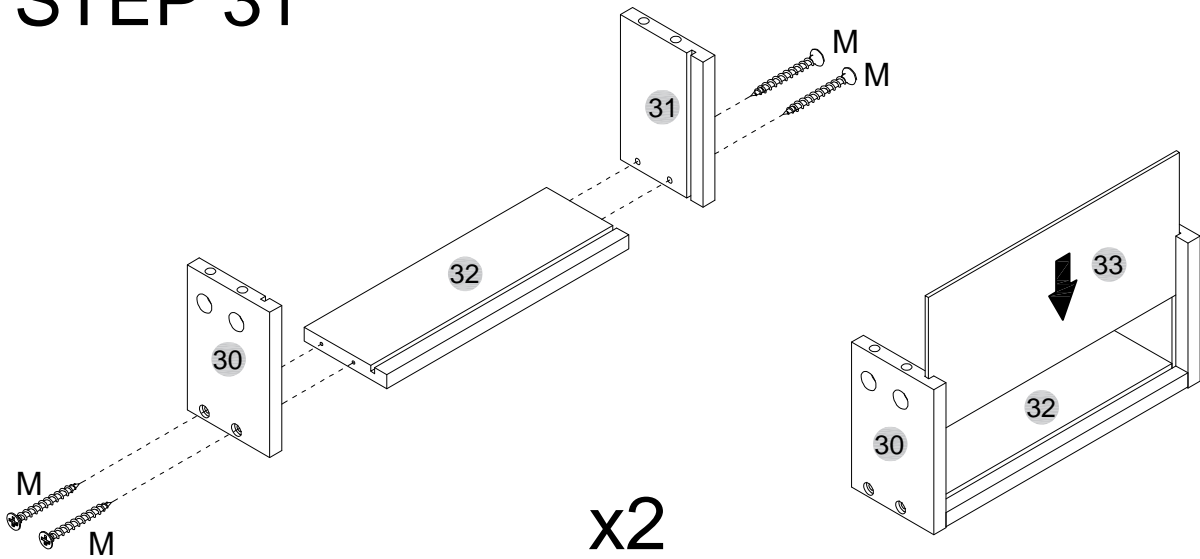
STEP 28



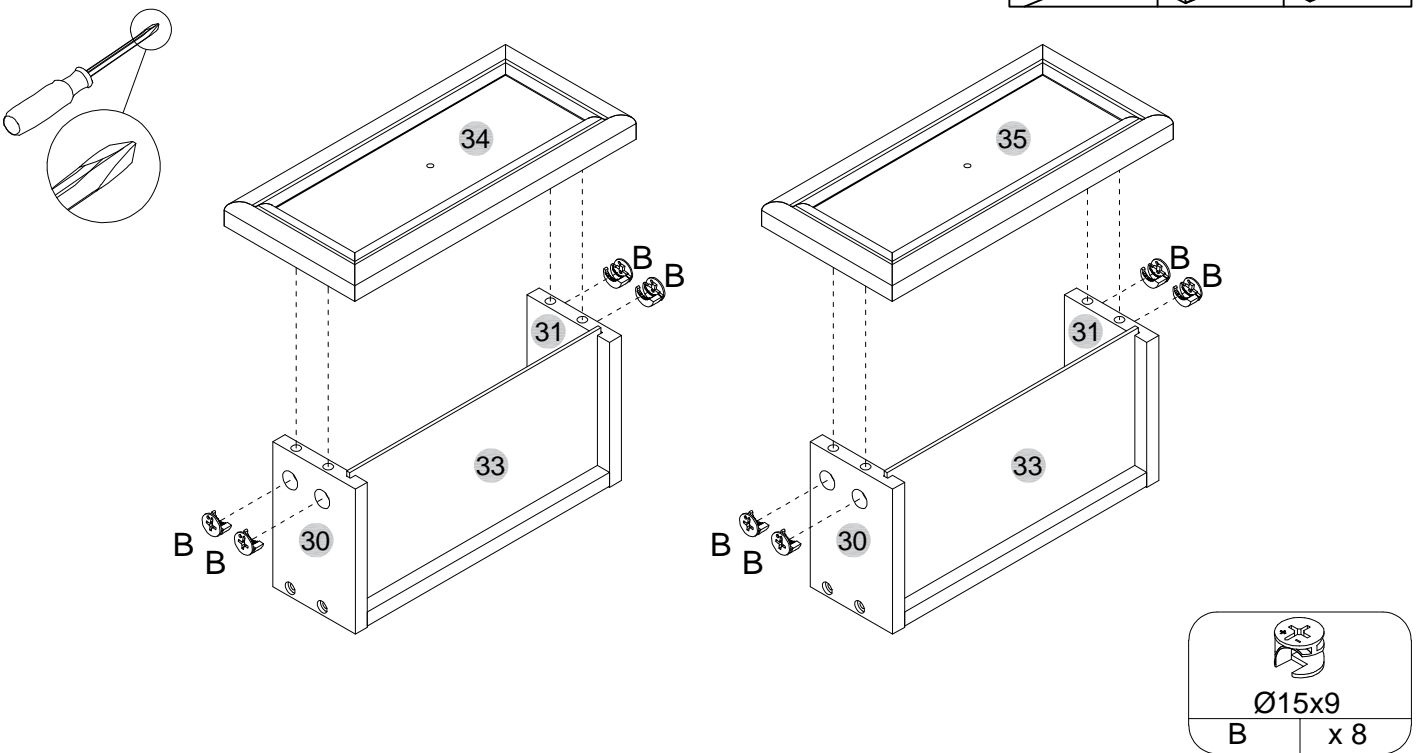
CAUTION: Heavy! You may need assistance with this step.



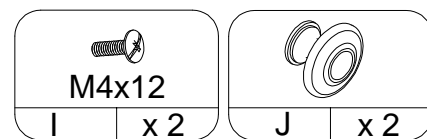
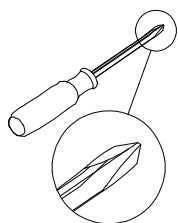
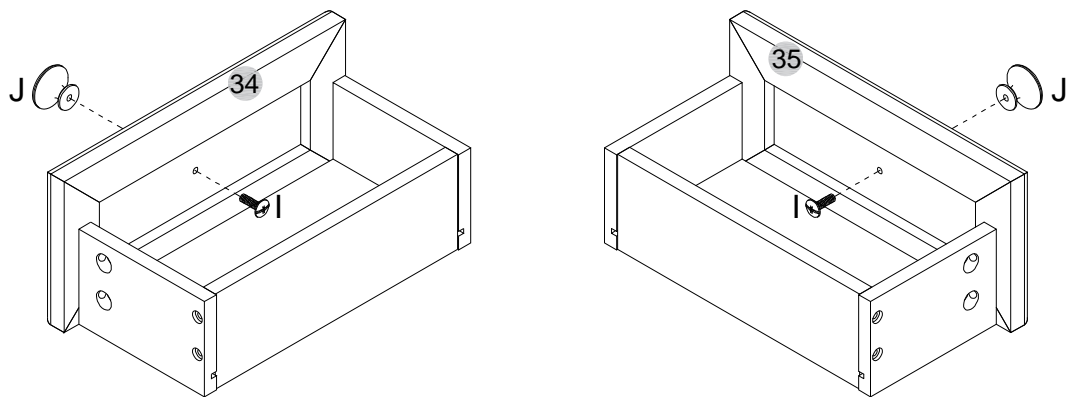
STEP 31



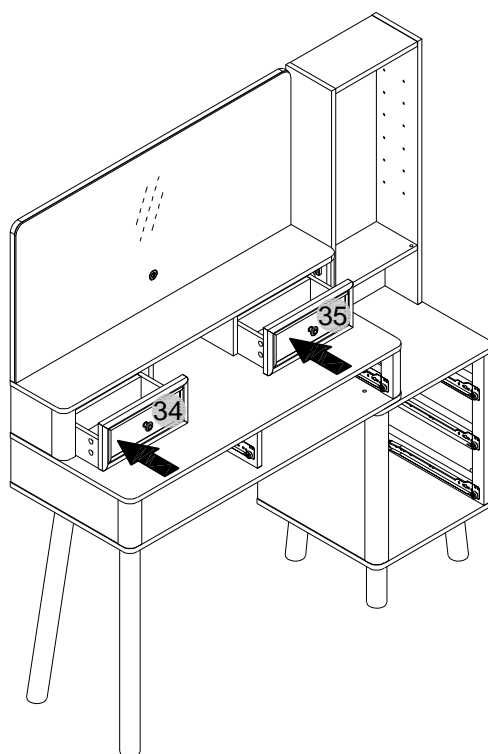
STEP 32



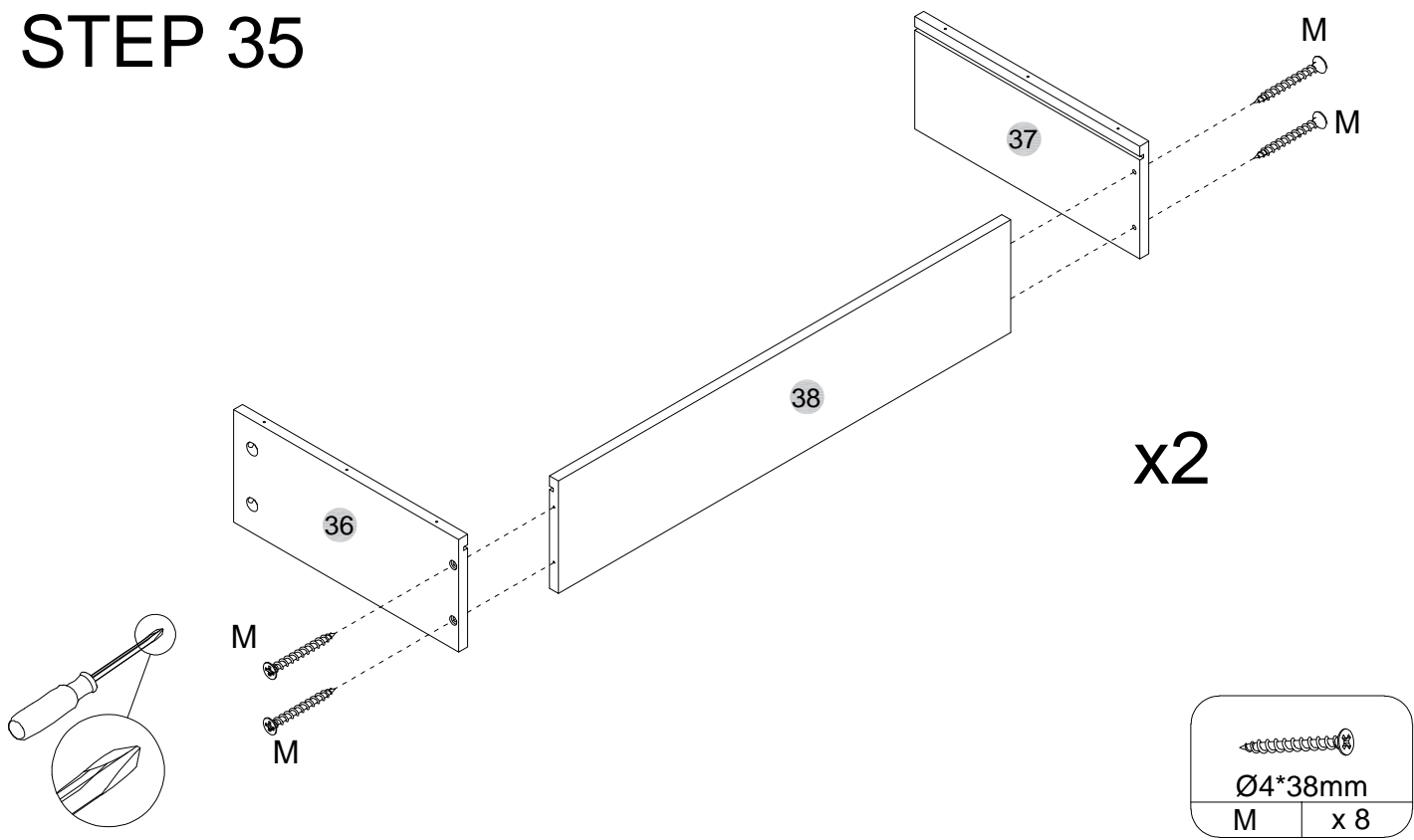
STEP 33



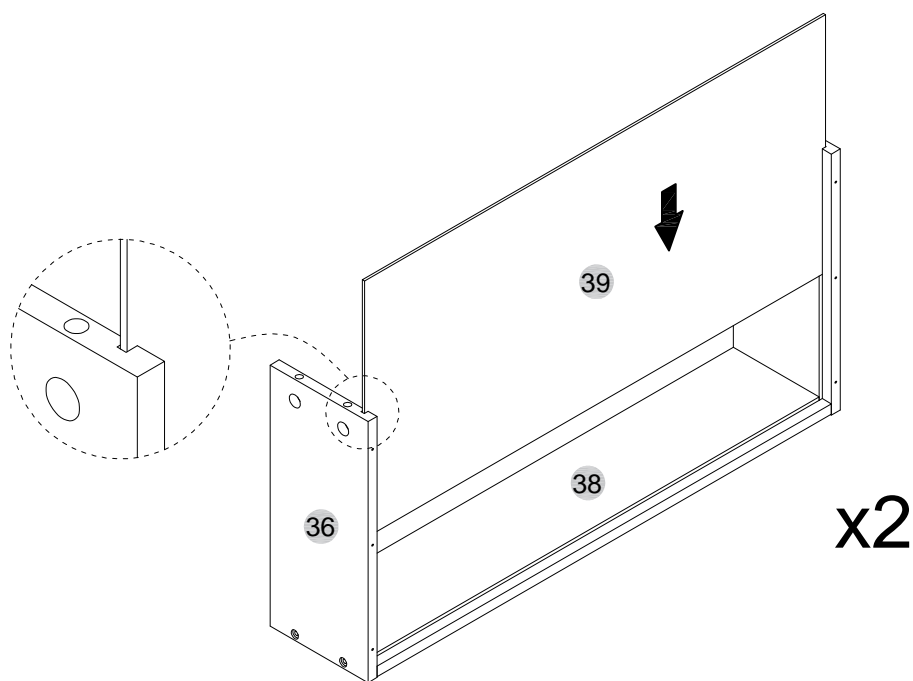
STEP 34



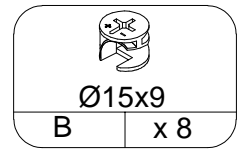
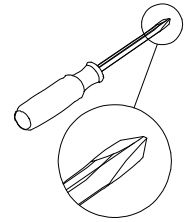
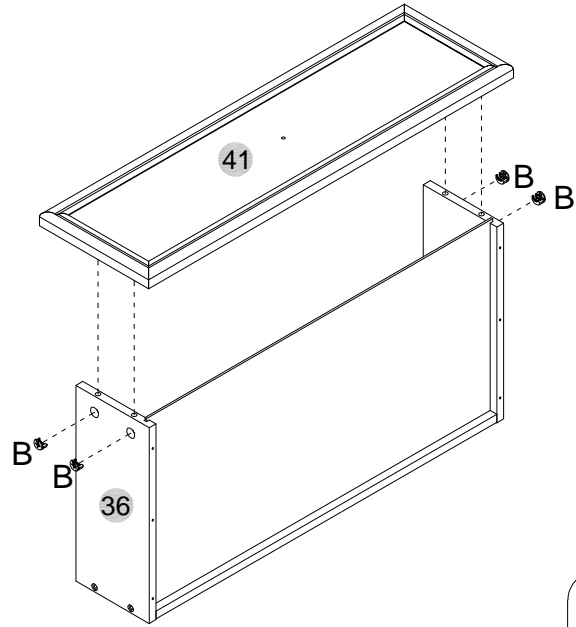
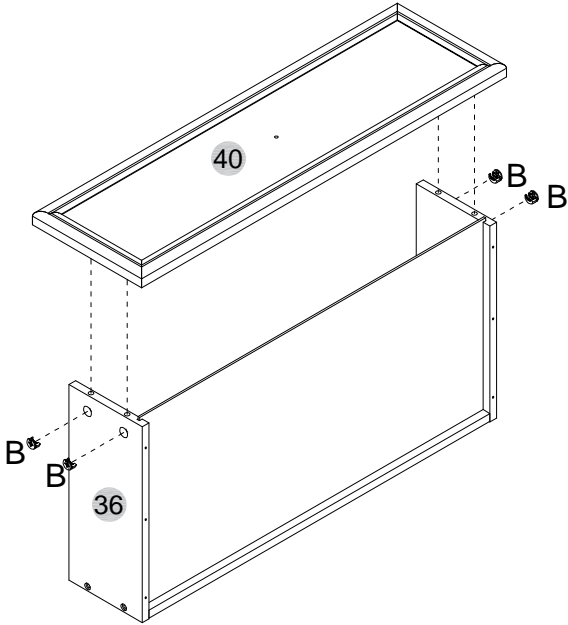
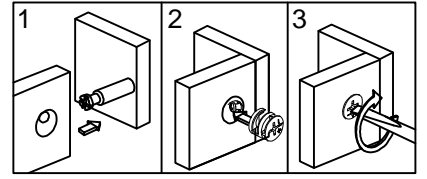
STEP 35



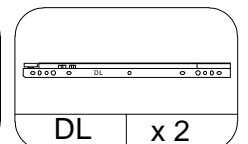
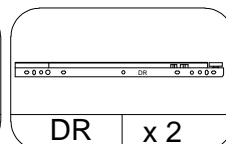
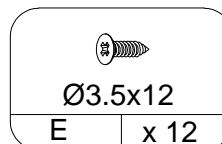
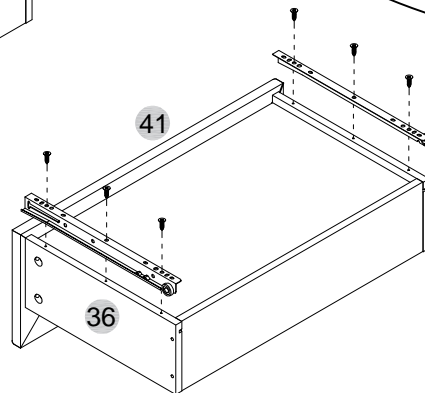
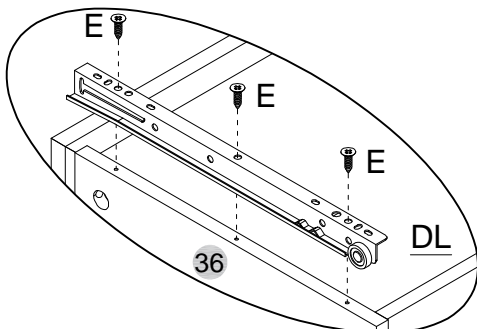
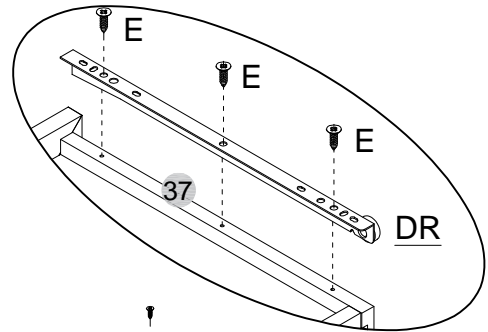
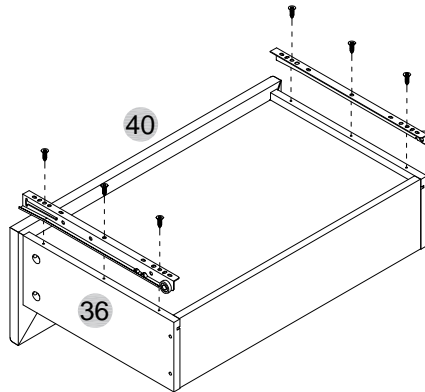
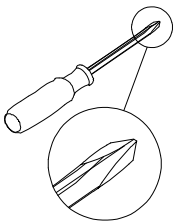
STEP 36



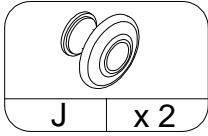
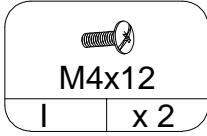
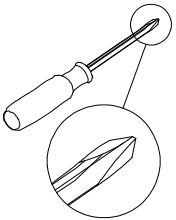
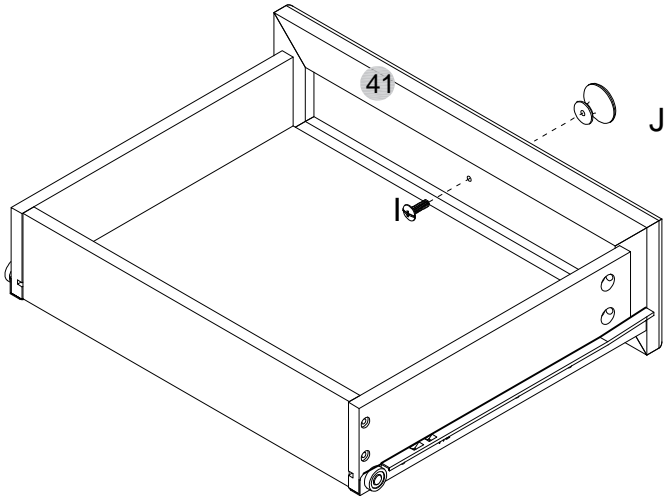
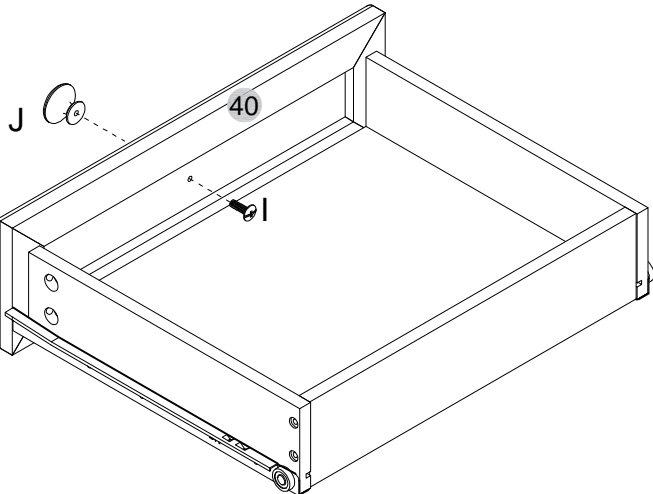
STEP 37



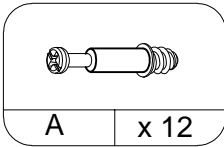
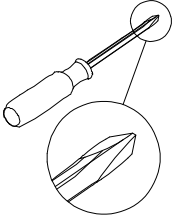
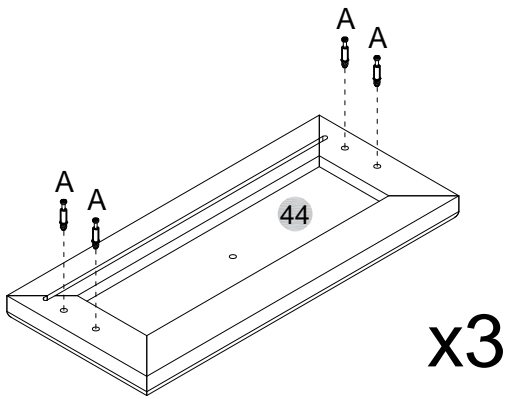
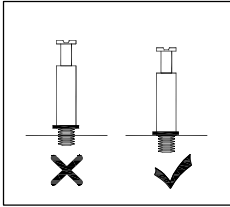
STEP 38



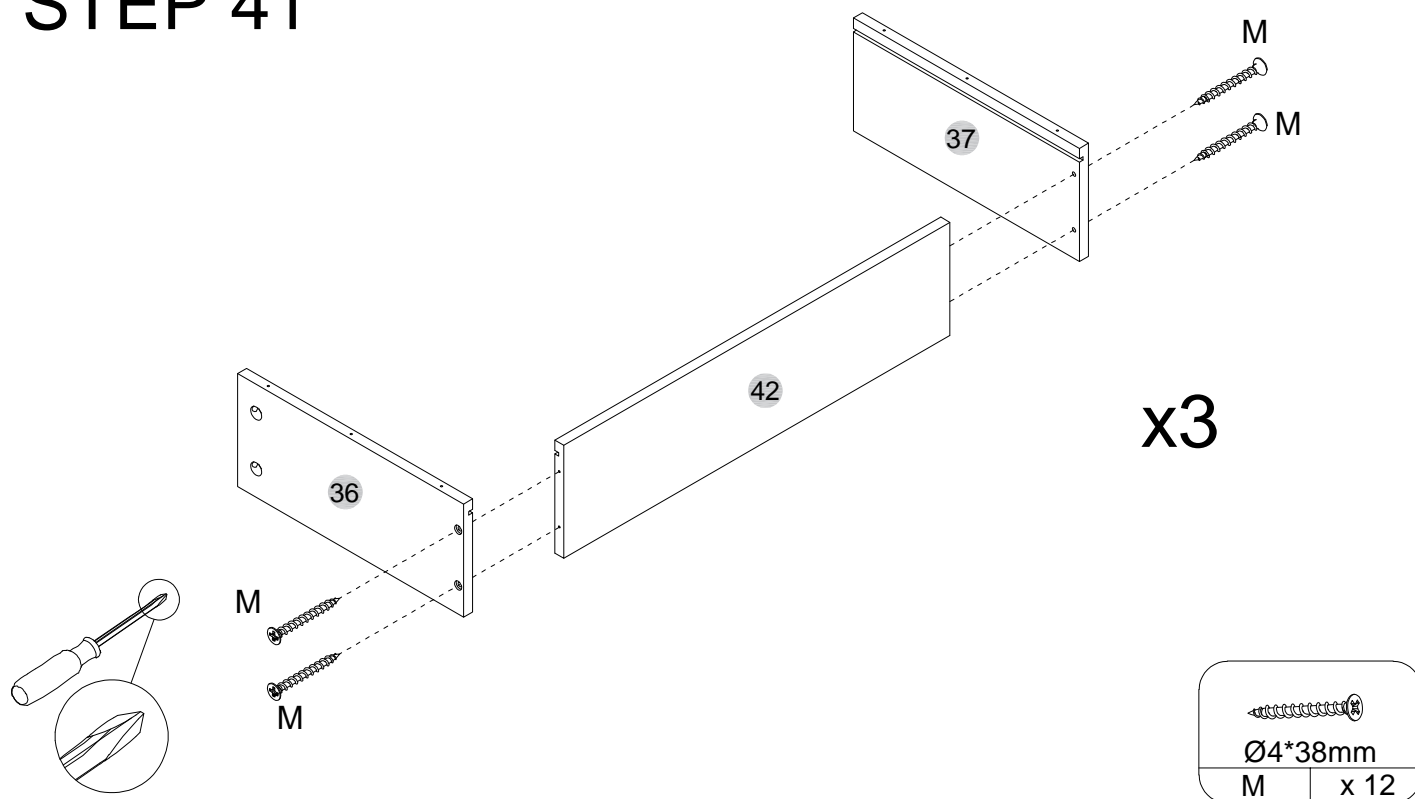
STEP 39



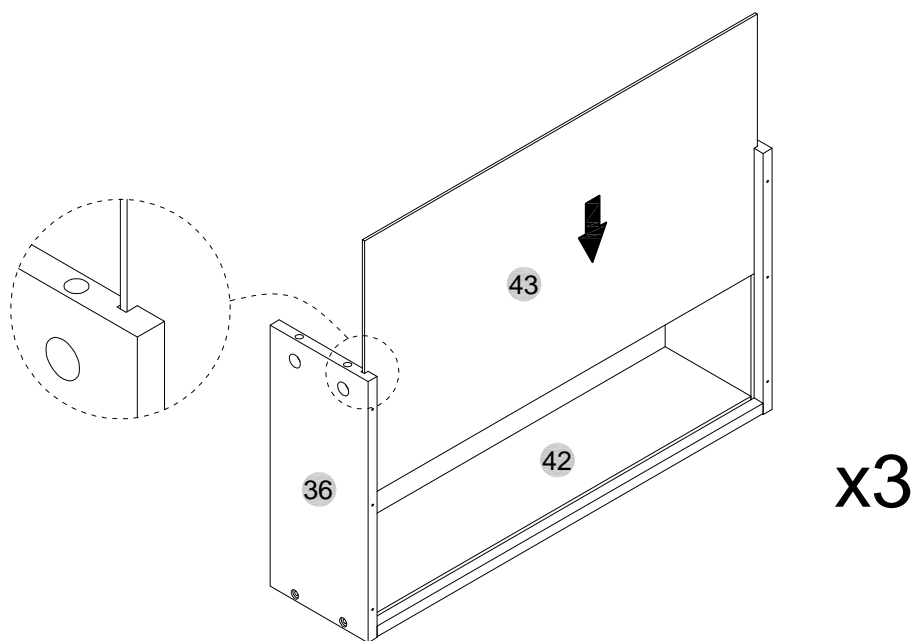
STEP 40



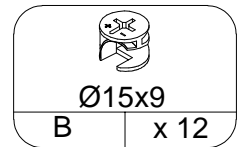
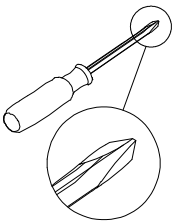
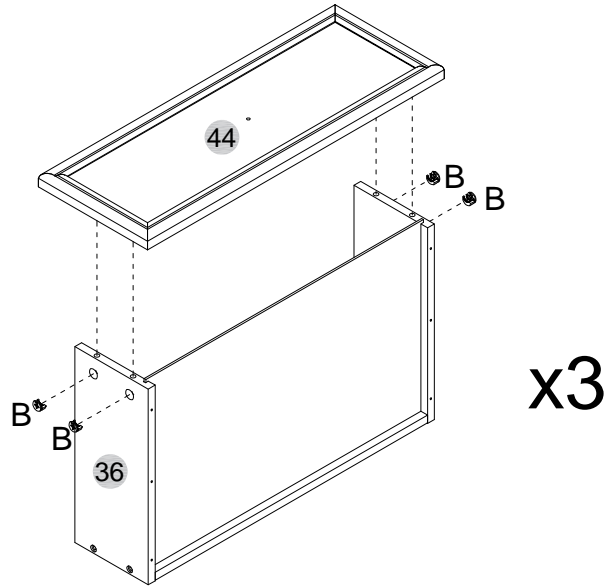
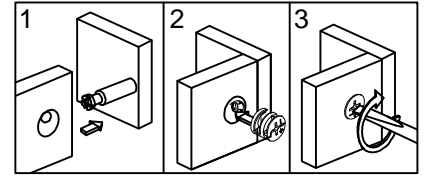
STEP 41



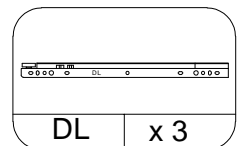
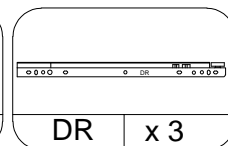
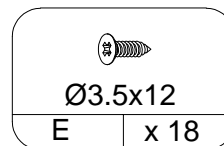
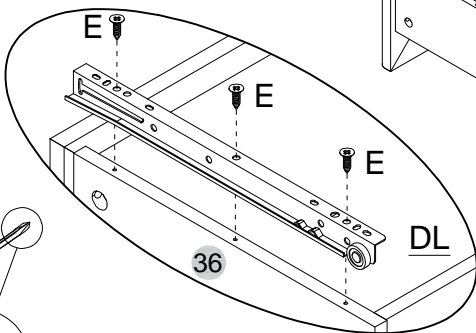
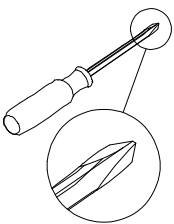
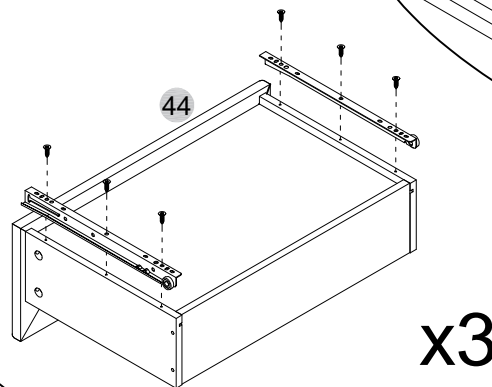
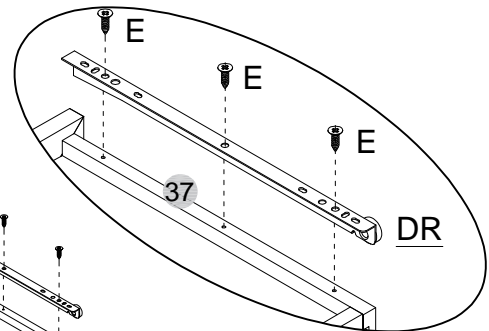
STEP 42



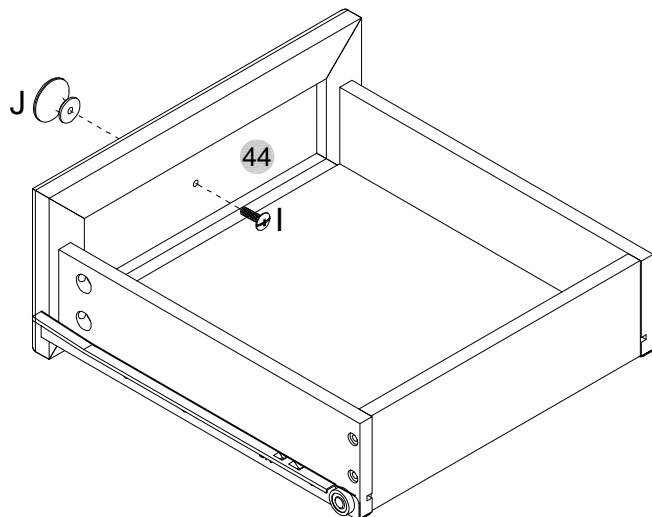
STEP 43



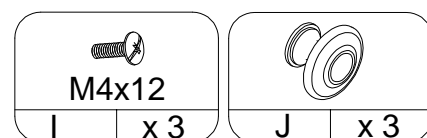
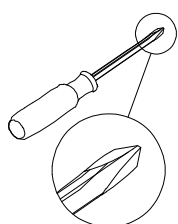
STEP 44



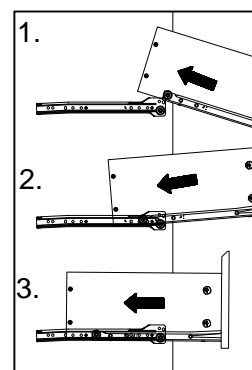
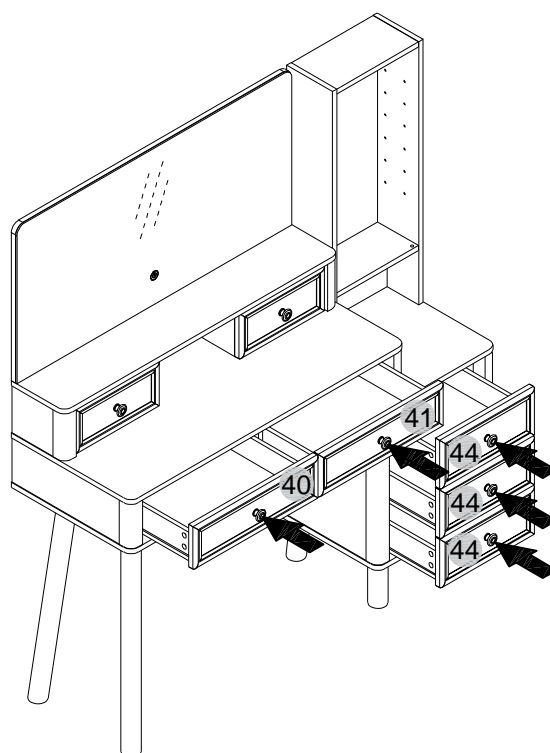
STEP 45



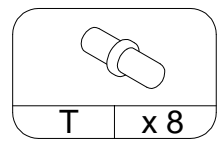
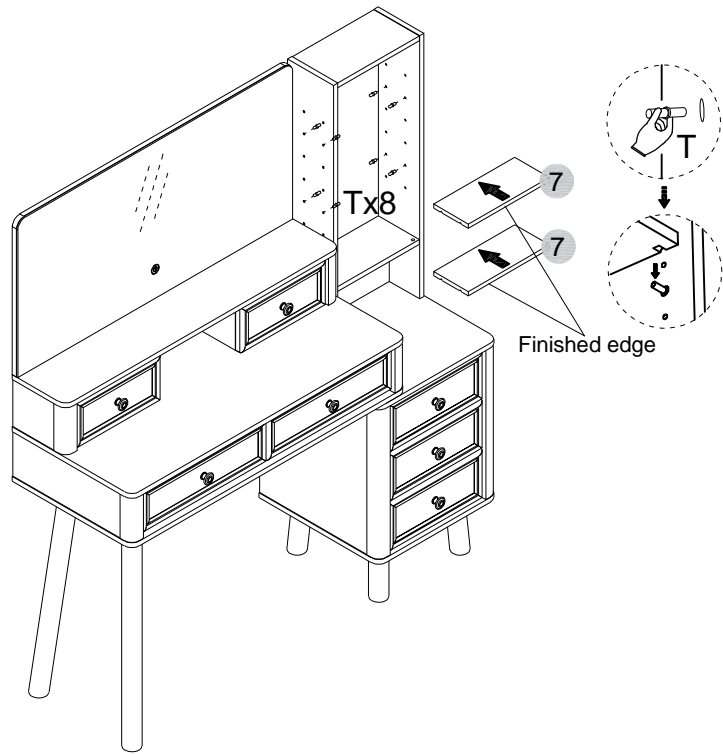
x3



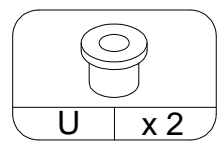
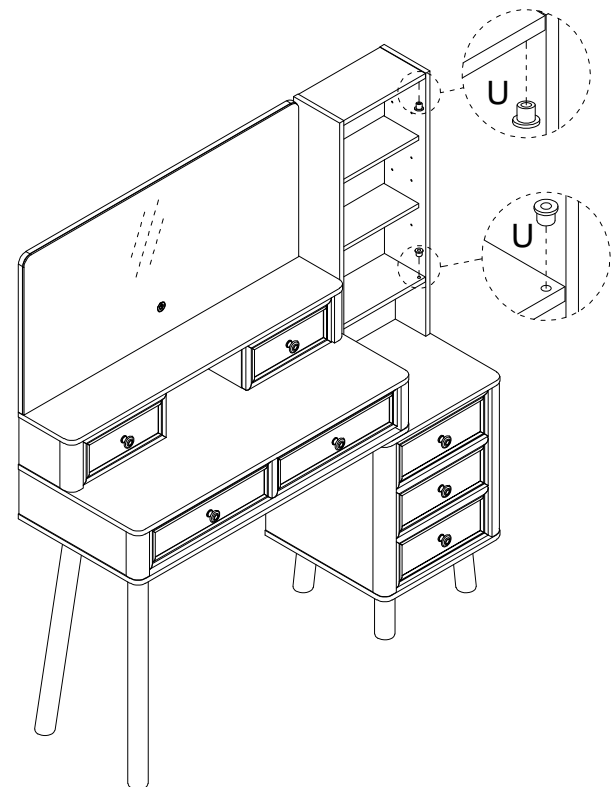
STEP 46



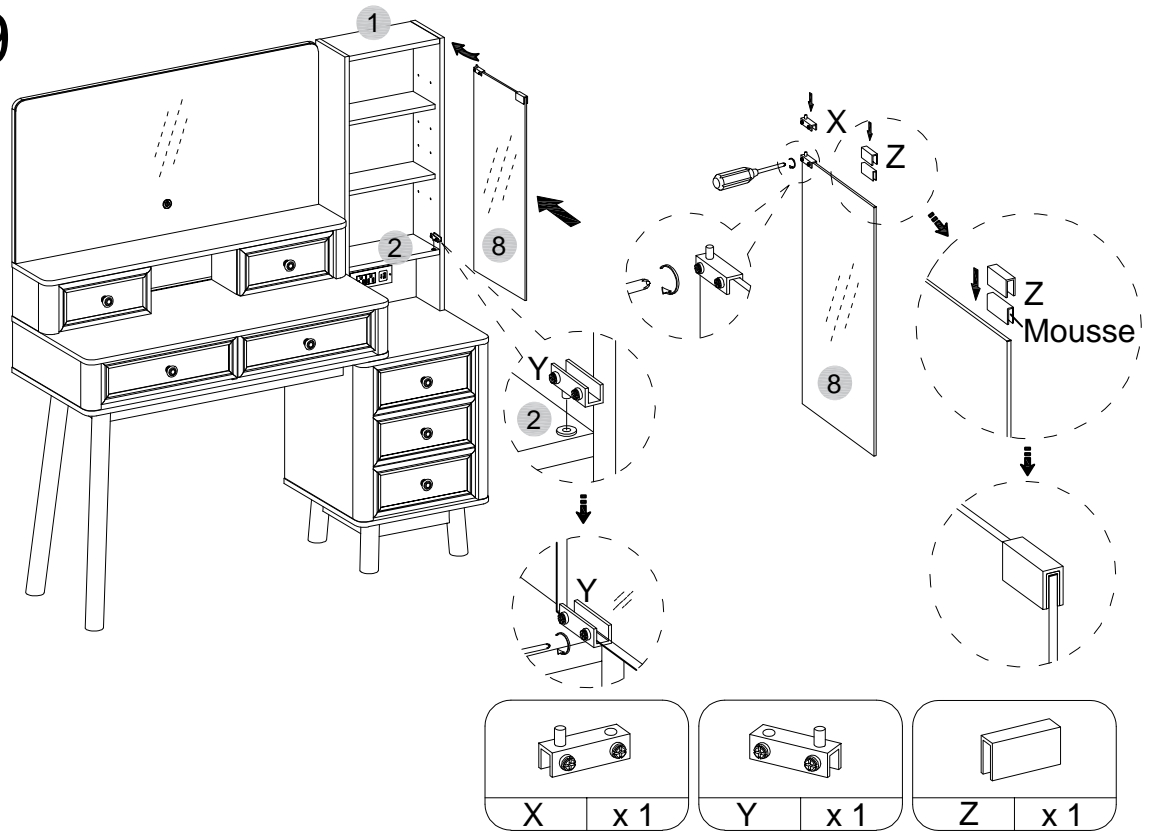
STEP 47



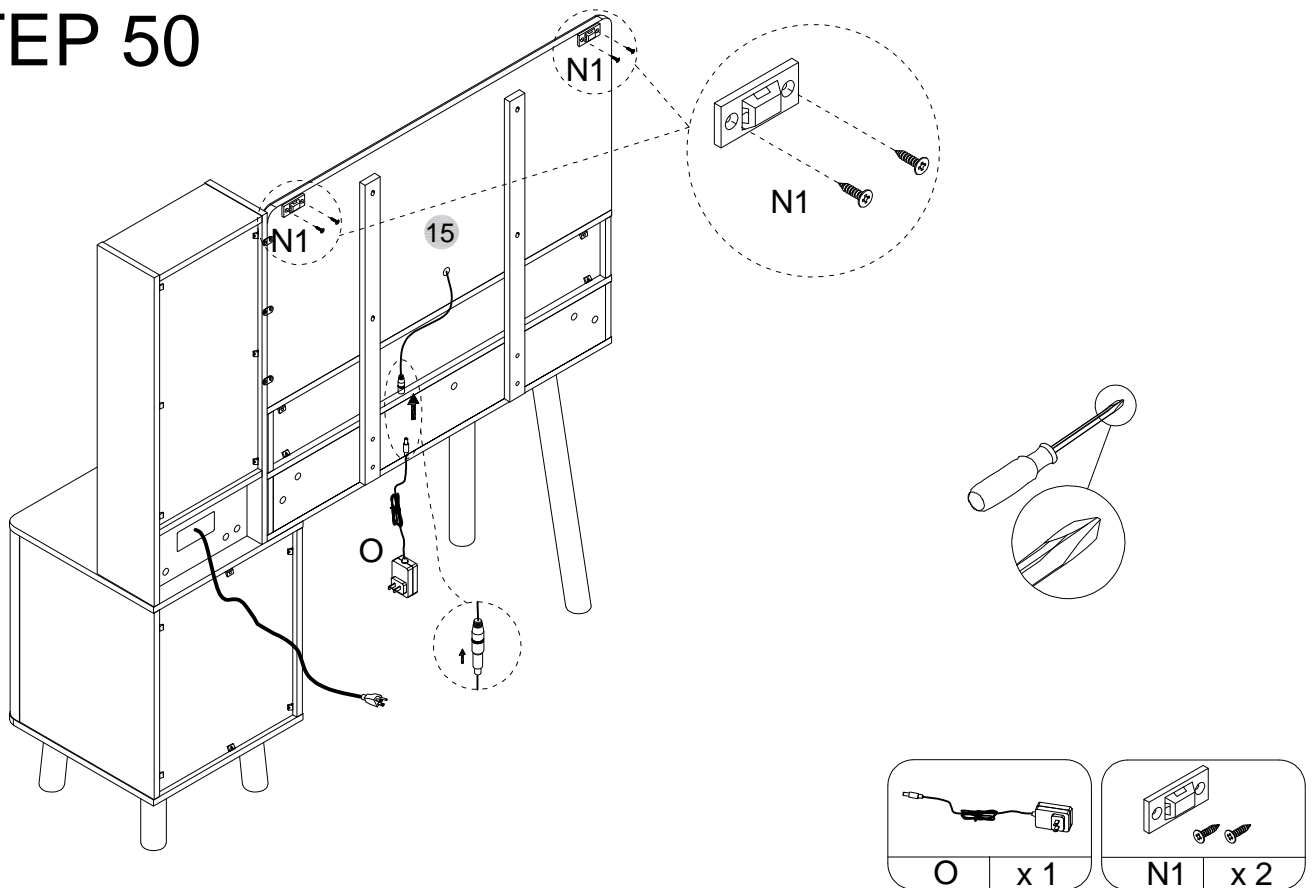
STEP 48



STEP 49

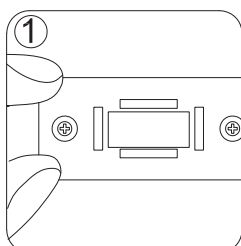


STEP 50

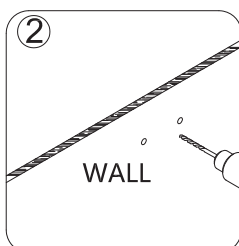


STEP 51

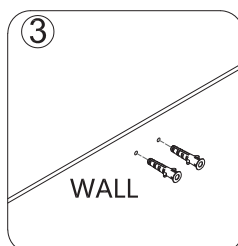
Install the tipping restraint hardware



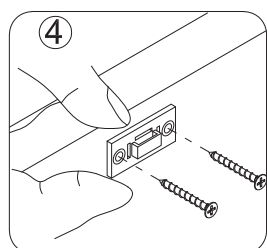
1. make mark on the wall



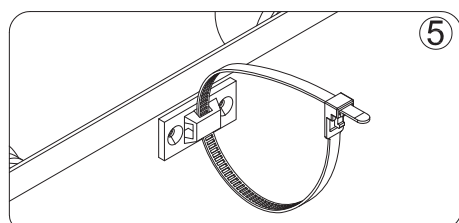
2. drill two Ø6 holes on the wall



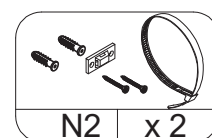
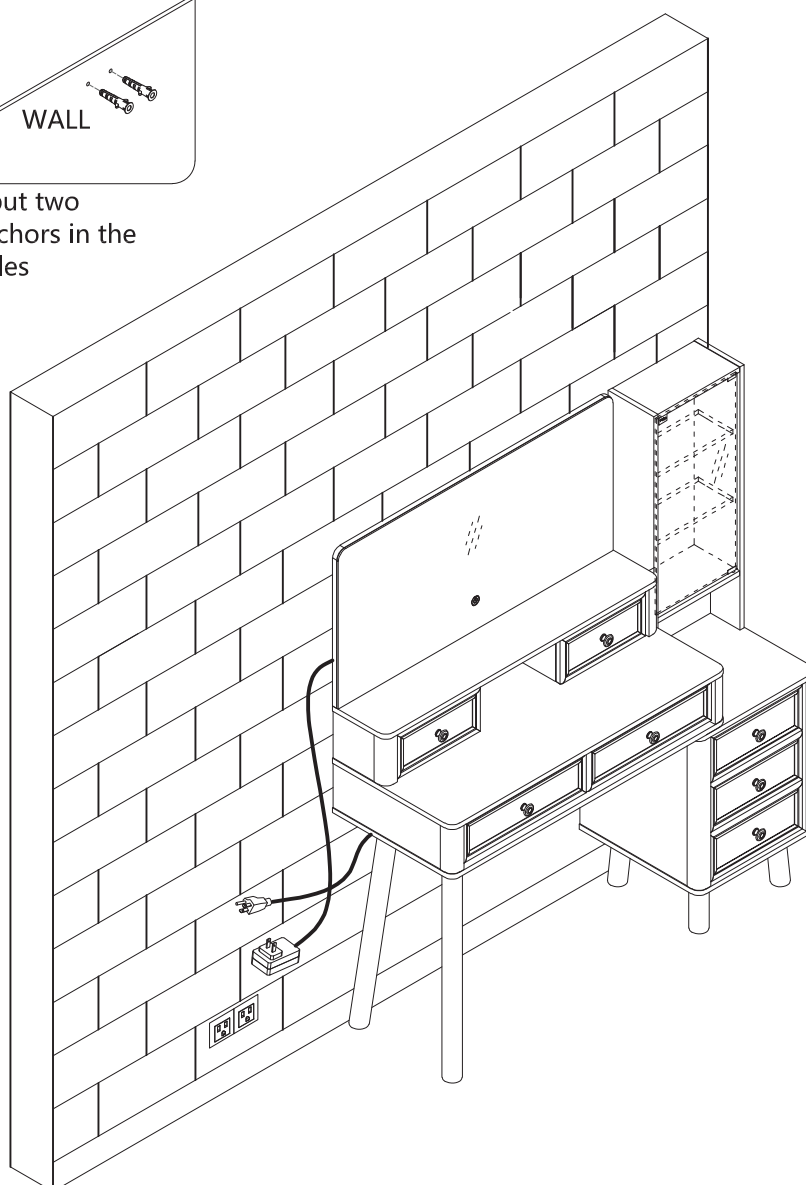
3. put two anchors in the holes



4. fix the device on the wall by the long screws



5. Push the cabinet close to the wall so that the two bases are close to each other, and then put on nylon tie to tighten it.



FURNITURE CARE AND MAINTENANCE

Medium - Density Fiberboard and PB

Thank you for your purchase. We want your item to last as long as possible. To ensure the product gives you years of service, please refer to this care and maintenance guide.

MAINTENANCE



- Tighten all bolts and screws again within the first 2 weeks of assembly
- Check the tightness of all bolts every 2 months, tighten them if necessary

CLEANING



- Clean the surface of the MDF (medium - density fiberboard) or PB with a lightly dampened cloth.
- Small amount of mild soap can be used if necessary
- Dry the surface immediately after cleaning.

⚠ DO NOT use bleach or alcohol detergent to clean the surface.

⚠ DO NOT apply wood treatment on parts made with MDF and PB.

Medium - density fiberboard and PB will swell and distort when suffer from water damage.

Make sure to dry the furniture immediately after cleaning