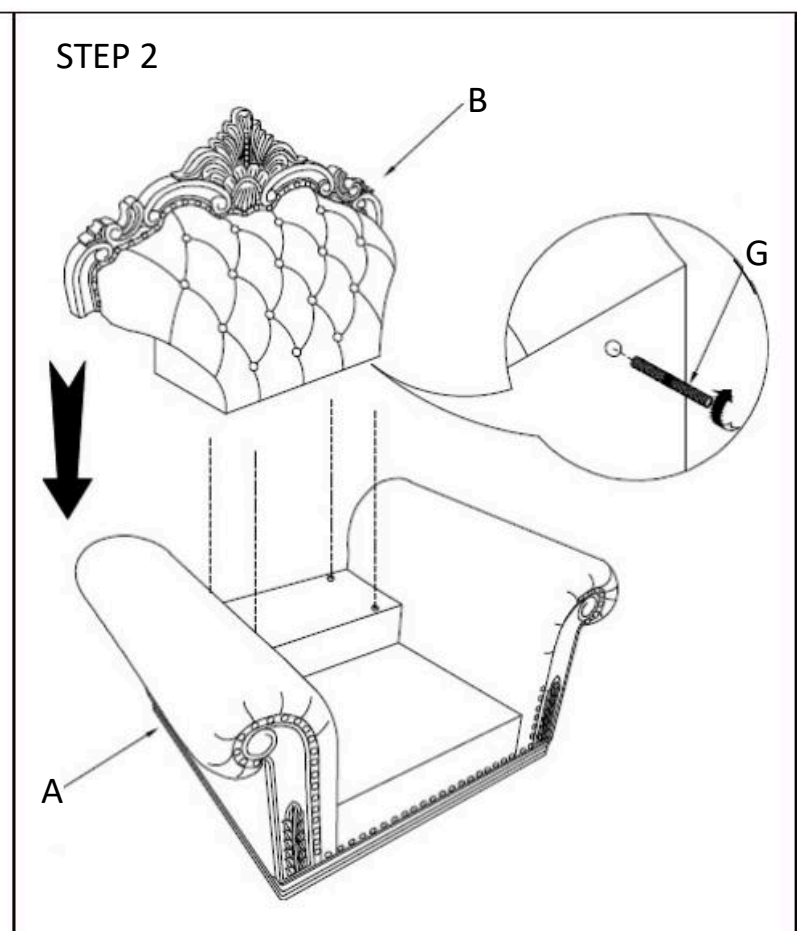
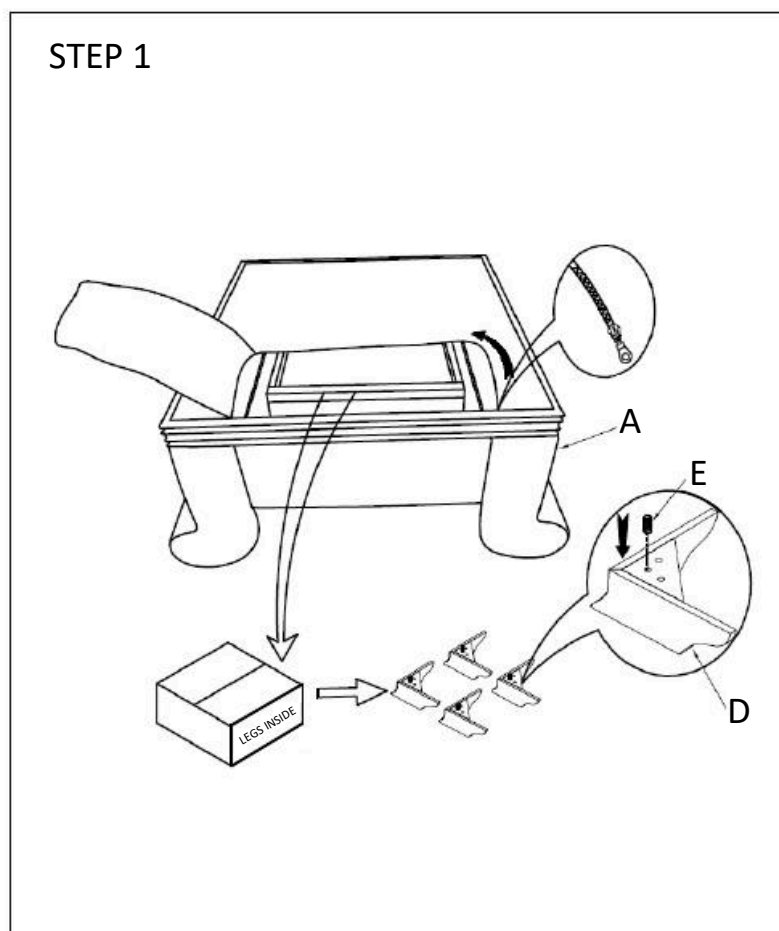


Legs and hardware are stored in box, please take out for assembly.

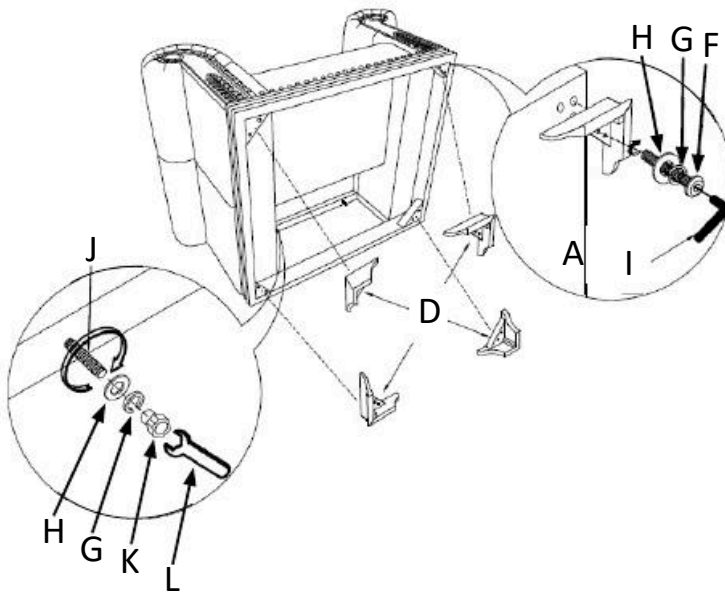
NOTE: Do not use power tools for assembly. Power tools increase the risk of over tightening which lead to splitting or cracking the wood.

NO.	DRAWING	QTY	DESCRIPTION
A		1	CHAIR BASE
B		1	CHAIR BACK
C		1	SEAT CUSHION
D		4	LEG
E		4	DOWEL
F		8	BOLT

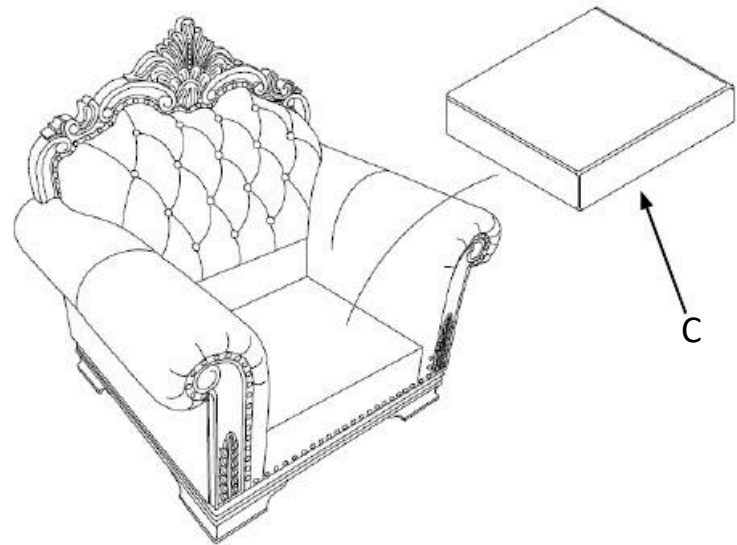
NO.	DRAWING	QTY	DESCRIPTION
G		12	LOCK WASHER
H		12	FLAT WASHER
I		1	ALLEN KEY
J		4	FULL THREAD BOLT
K		4	NUT
L		1	WRENCH



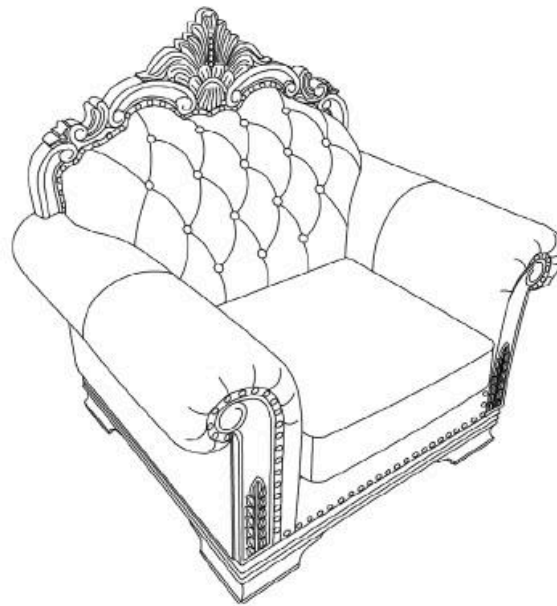
STEP 3



STEP 4



STEP 5 COMPLETED



CARE INSTRUCTION FOR POLYESTER FURNITURE

In order to maintain the original appearance of your Polyester furniture, please follow below simple care procedures:

- Avoid exposing furniture directly to sunlight or heating and air conditioning outlets. Exposure to sunlight or heating and air conditioning outlets will fade / damage Polyester.
- Wipe gentle with a damp soft cloth to remove dust, dirt and any grime build up.



For items used on wooden floor, hard surfaces or carpets, it is recommended to install protective pads under all legs and supports to avoid / prevent from damages / scratches discoloration.