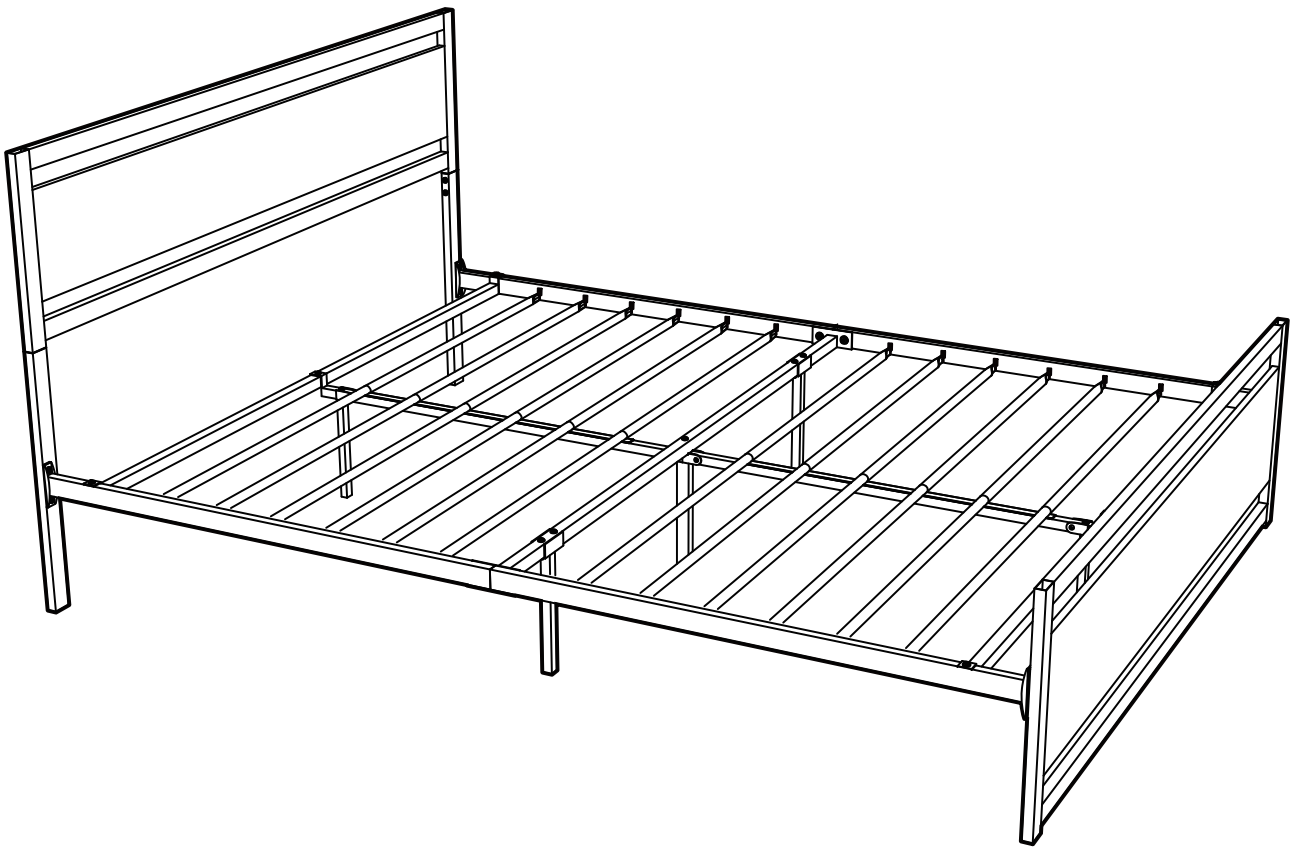


METAL BED

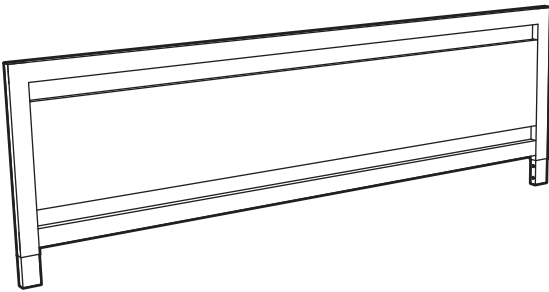
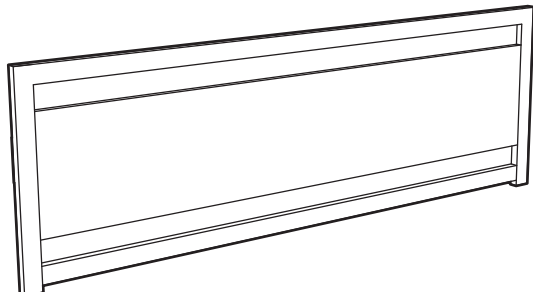
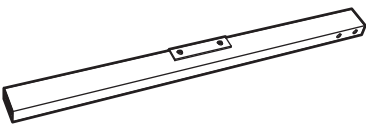
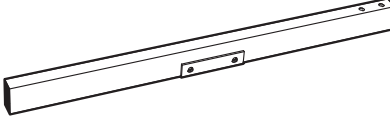
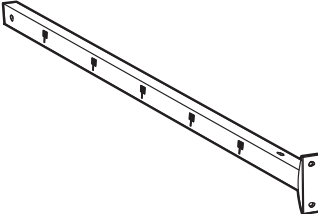
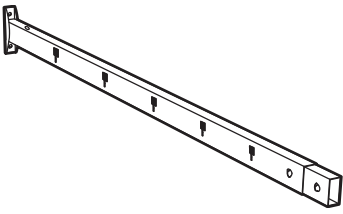
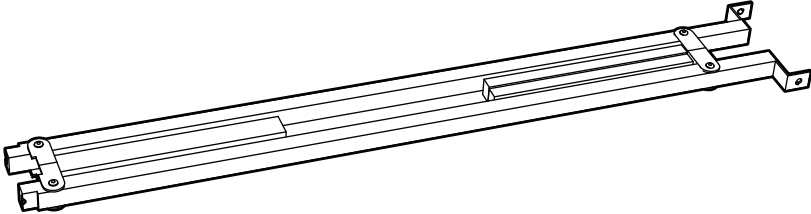
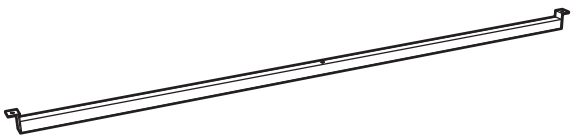
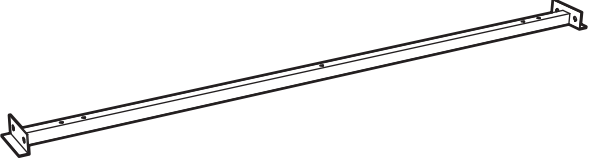
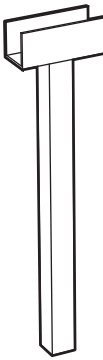
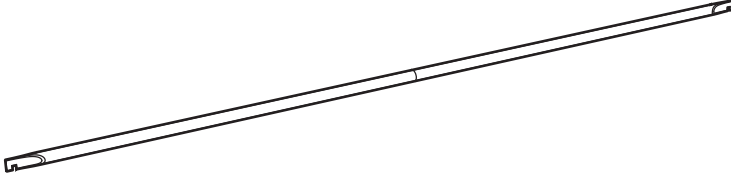
INSTRUCTION MANUAL

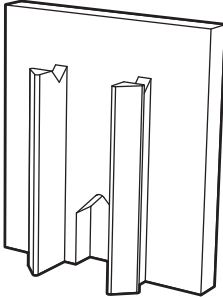
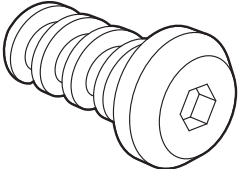
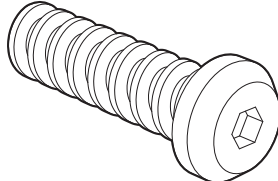
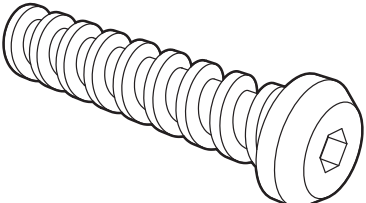
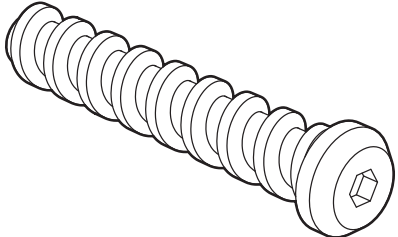
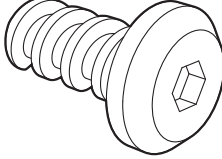
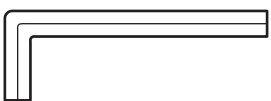
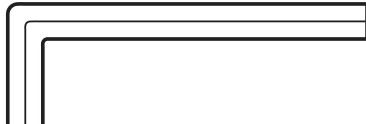


DEAR CUSTOMER,

Thank you for choosing our product. Please read this manual carefully before assembling or using the product, to avoid damage caused by improper use. If the product is passed on to third parties, this manual has to be passed on along with the product. For any question don't hesitate to contact us.

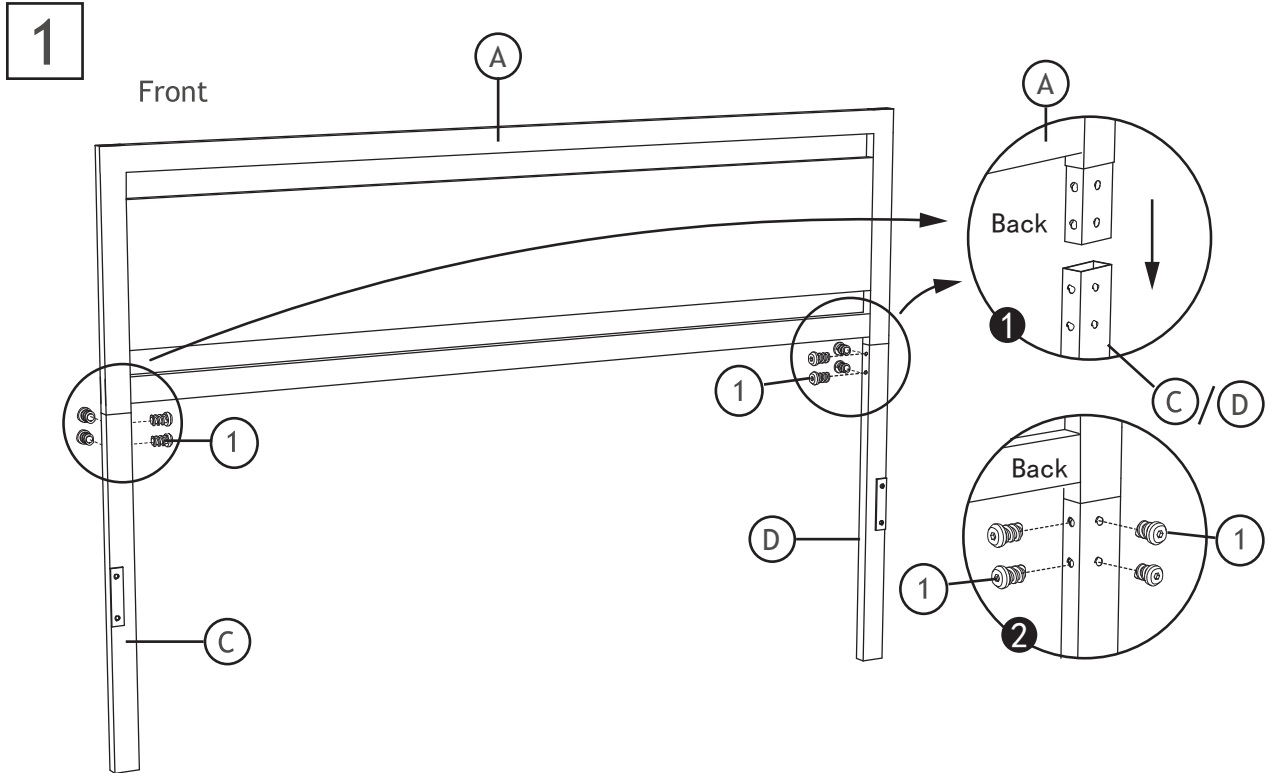
PARTS LIST

A  1×	B  1×	
C  1×	D  1×	E  2×
F  2×	G  1×	
H  2×	I  1×	
J  2×	K  12×	

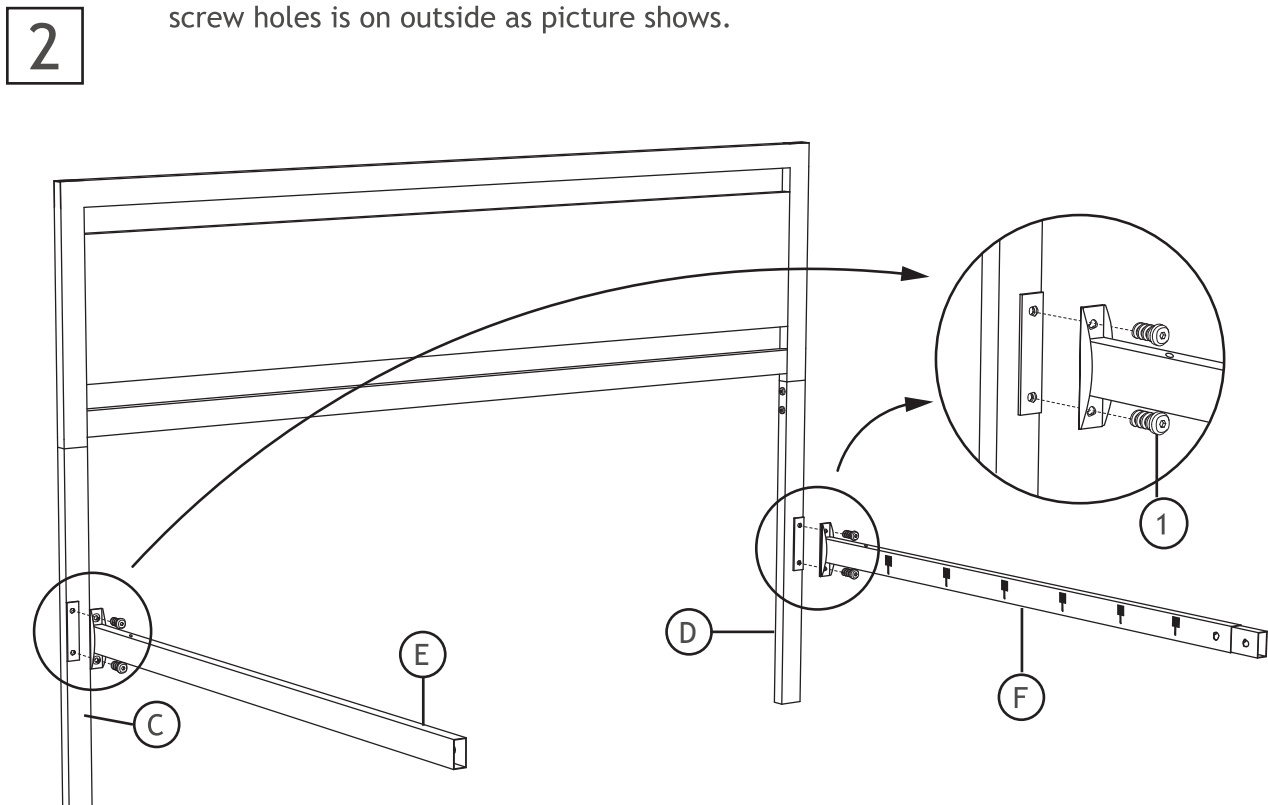
<p>L</p>  <p>24×1</p>	<p>22×2</p>  <p>1/4"×16MM</p>	<p>4×</p>  <p>1/4"×25MM</p>
<p>3</p>  <p>1/4"×35MM</p>	<p>2× 4</p>  <p>1/4"×50MM</p>	<p>1× 5</p>  <p>M8×16MM</p>
<p>6</p>  <p>4M</p>	<p>1× 7</p>  <p>5M</p>	

ASSEMBLY

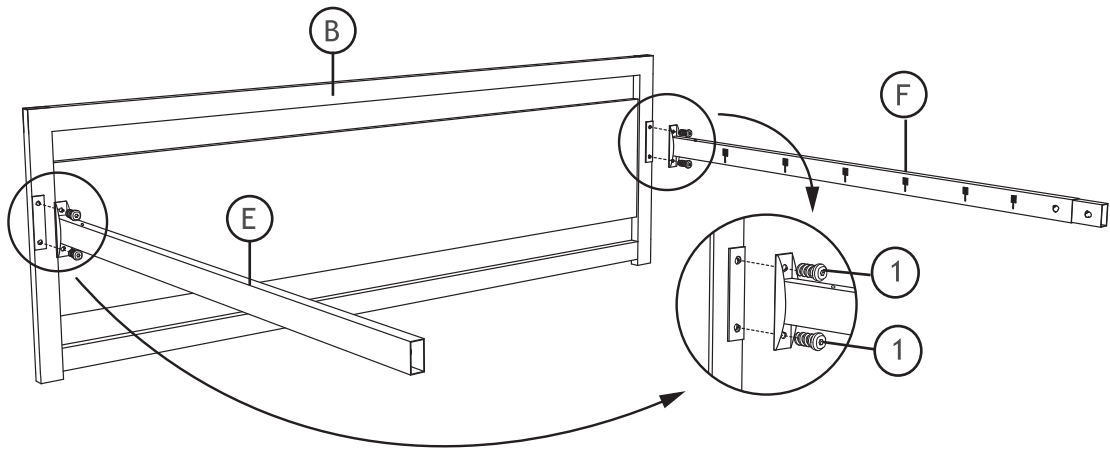
Before your installation, please make sure that you have all the parts listed on the manual. If you find something missing, stop installing and contact your supplier immediately. (Pls do not tighten all bolts until the bed is assembled completely.)



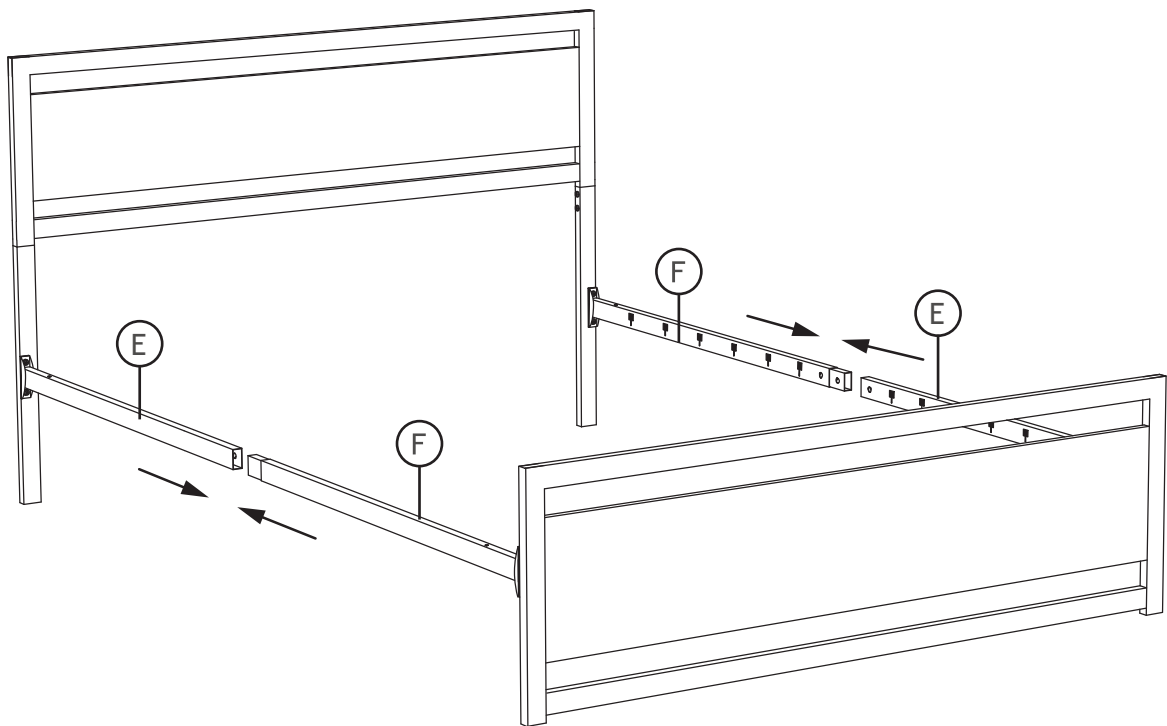
Make sure left and right headboard uprights(part C&D) are on the corret side,the screw holes is on outside as picture shows.



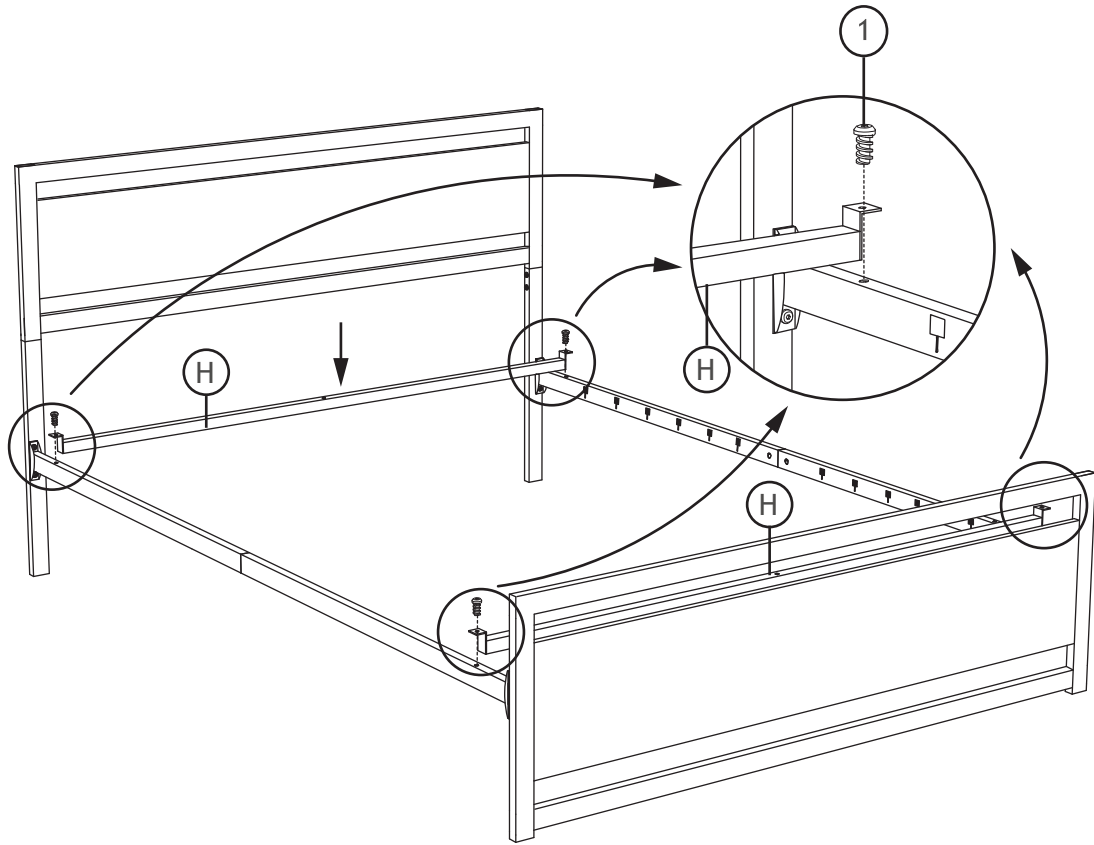
3



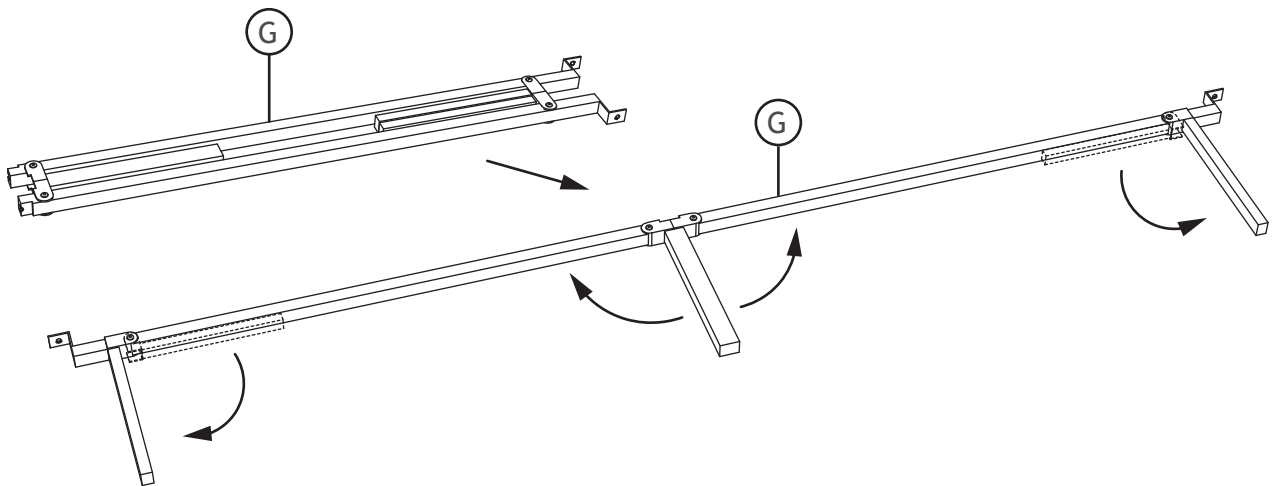
4



5

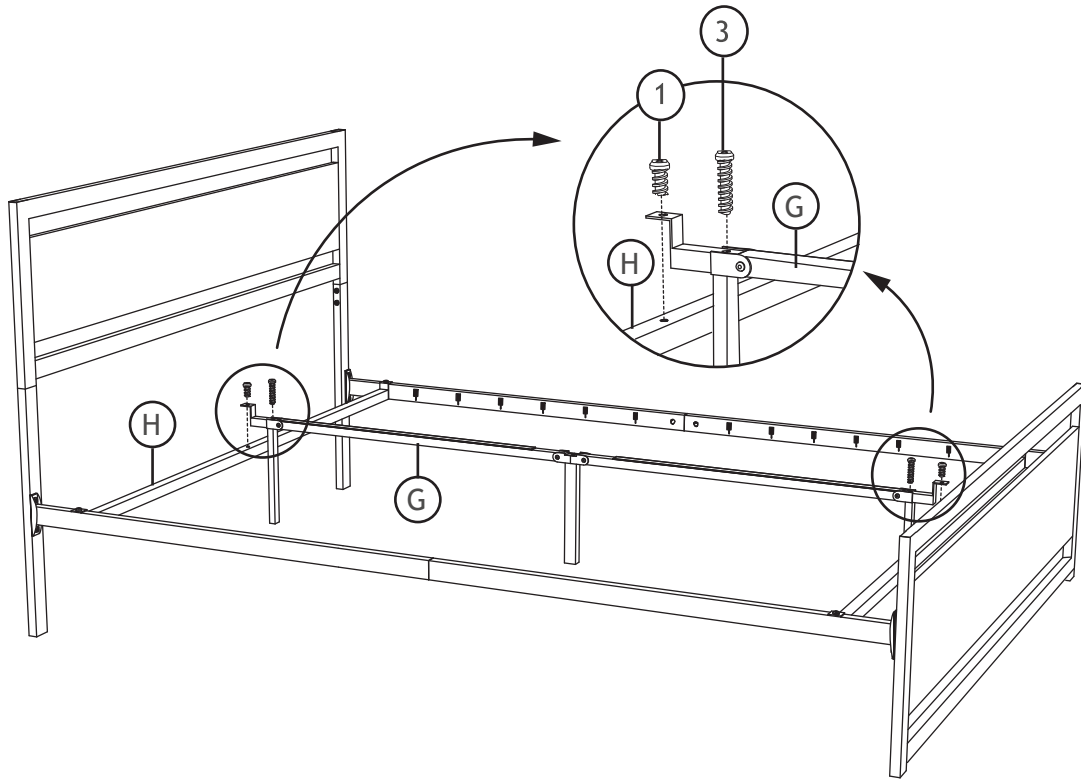


6

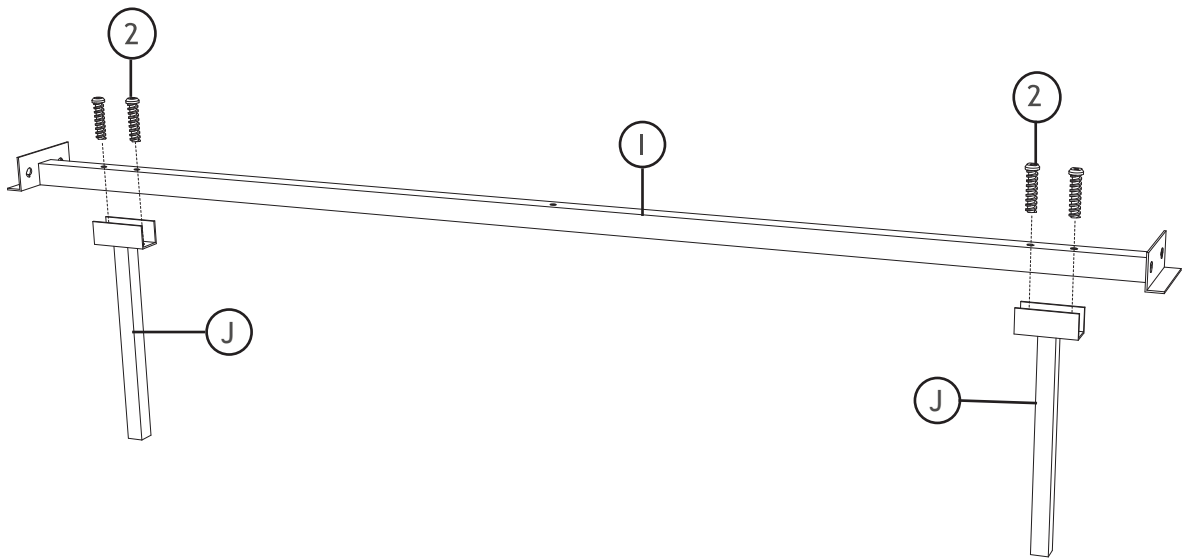


Expand the folded portion

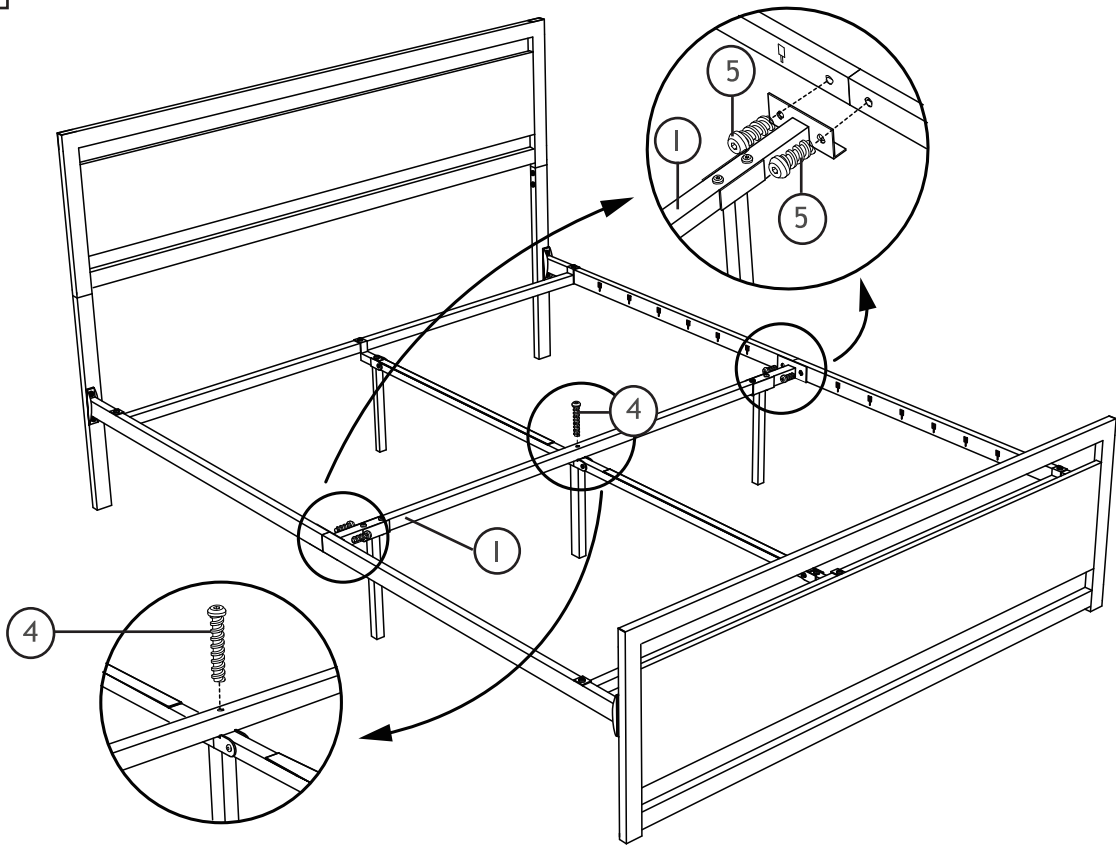
7



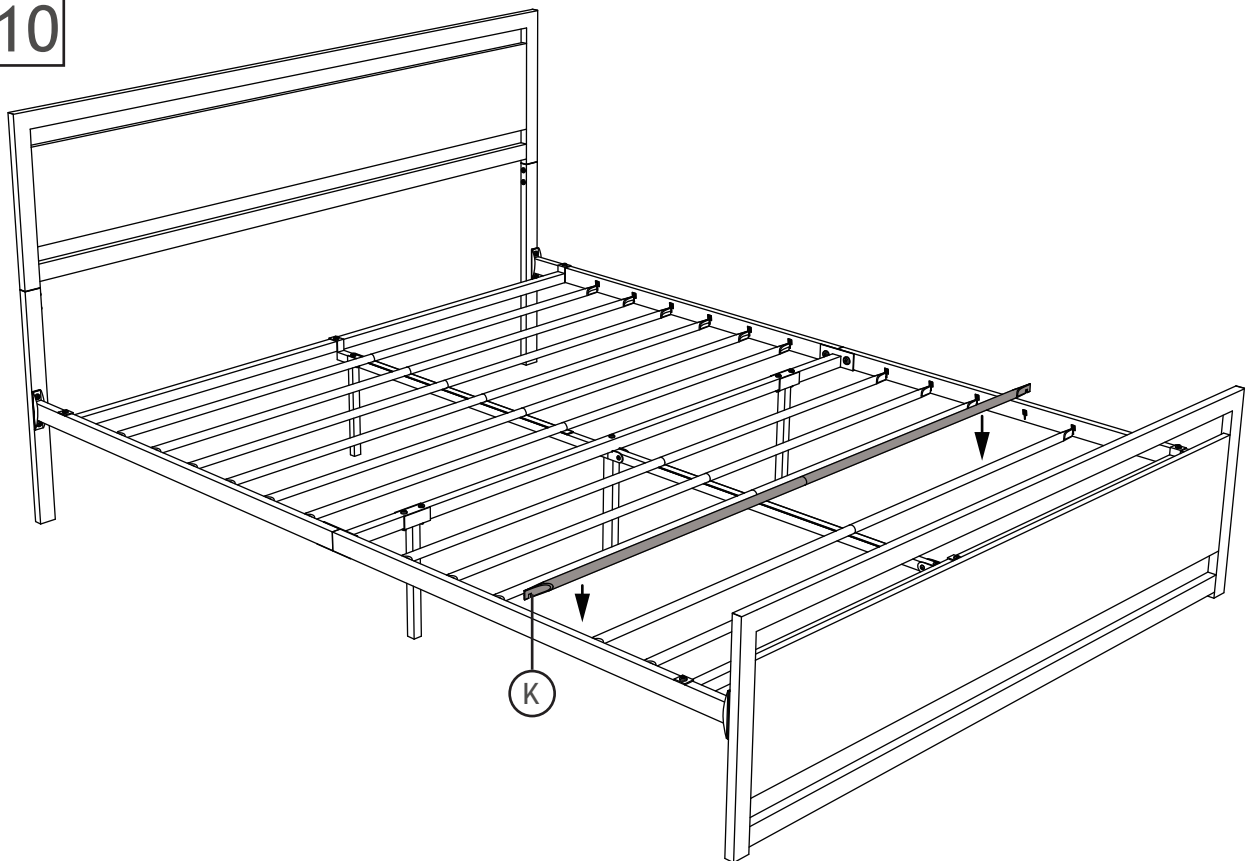
8



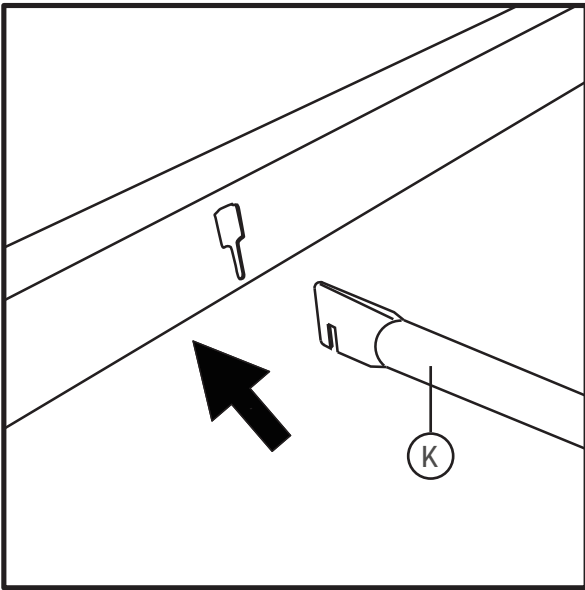
9



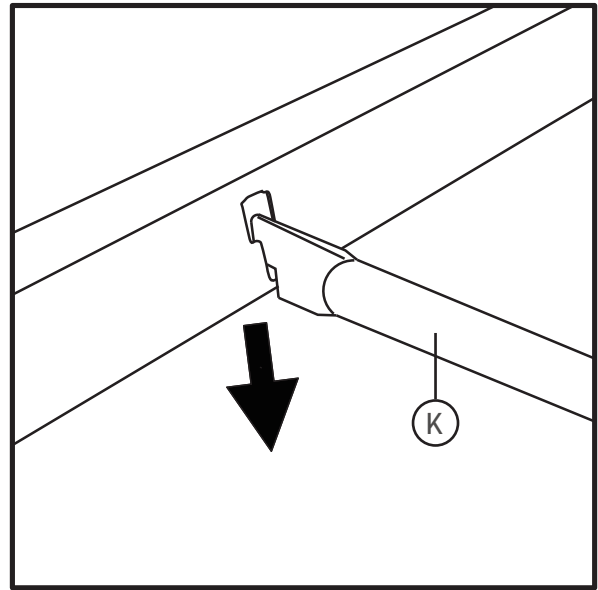
10



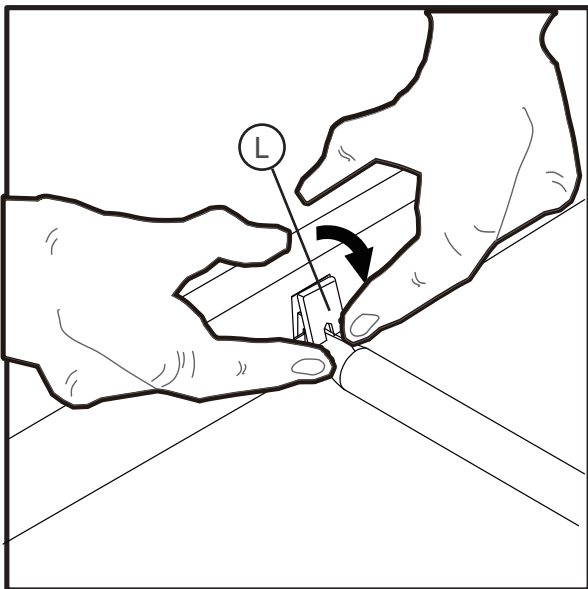
Assemble the slats



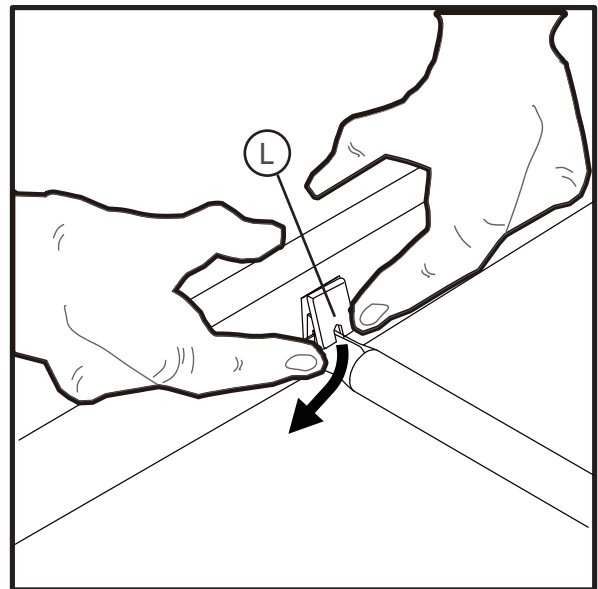
1. Insert slats into the hole on sidebar in the correct orientation.



2. Push the slats into the gaps.



3. Put the plastic clamp(L) into the lower part of hole on 45degree.



4. Press tight the upper part of clamp to fix its position.