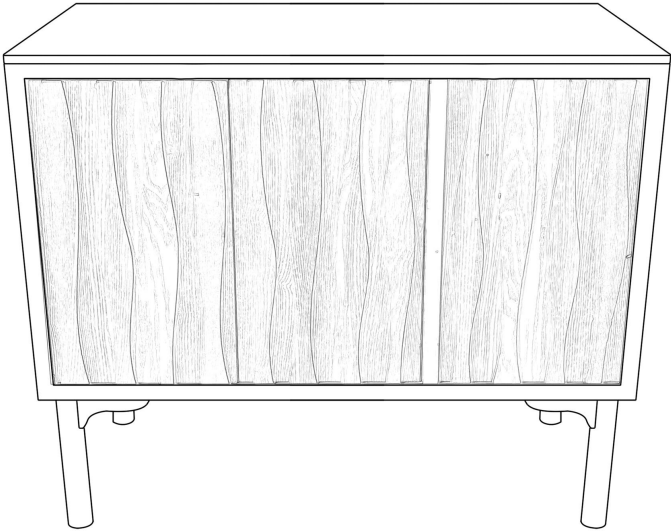


Ahokua

Assembly Instruction

Accent Cabinet




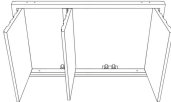




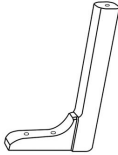





Thanks for buying this Living Room Furniture.

WARNING:

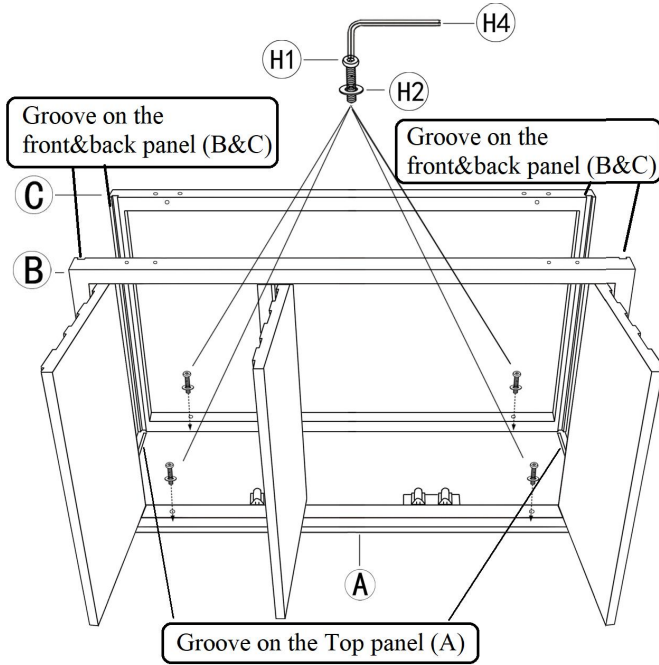
- Read all instructions carefully and completely before assembly and use.
- Retain for future reference.
- **DO NOT use power tools.**
- **DO NOT over-tighten hardware.**
- Periodically check all hardware and re-tighten as necessary.
- DO NOT use product if any component becomes damaged.
- For residential (non-commercial) use only.
- DO NOT sit or stand on product. Use only for intended purpose.
- DO NOT exceed 80lbs for the tabletop and 30lbs for the shelf, evenly distributed.

Parts List

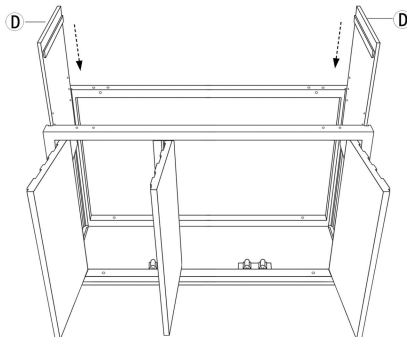
Check all parts before assembly

<p>A. <u>Tabletop</u></p>  <p style="text-align: center;">*1</p>	<p>B. <u>Front panel</u></p>  <p style="text-align: center;">*1</p>	<p>C. <u>Back panel</u></p>  <p style="text-align: center;">*1</p>	<p>D. <u>Side panel</u></p>  <p style="text-align: center;">*2</p>	
<p>E. <u>Bottom panel</u></p>  <p style="text-align: center;">*1</p>	<p>F. <u>Shelf</u></p>  <p style="text-align: center;">*1</p>	<p>G. <u>Leg</u></p>  <p style="text-align: center;">*4</p>		
<p>H1. <u>Hex bolt</u></p>  <p style="text-align: center;">*12(+1 extra)</p>	<p>H2. <u>Washer</u></p>  <p style="text-align: center;">*12(+1 extra)</p>	<p>H3. <u>Foot pad</u></p>  <p style="text-align: center;">*4</p>	<p>H4. <u>Alley key</u></p>  <p style="text-align: center;">*1</p>	<p>H5. <u>Shelf pin</u></p>  <p style="text-align: center;">*4</p>

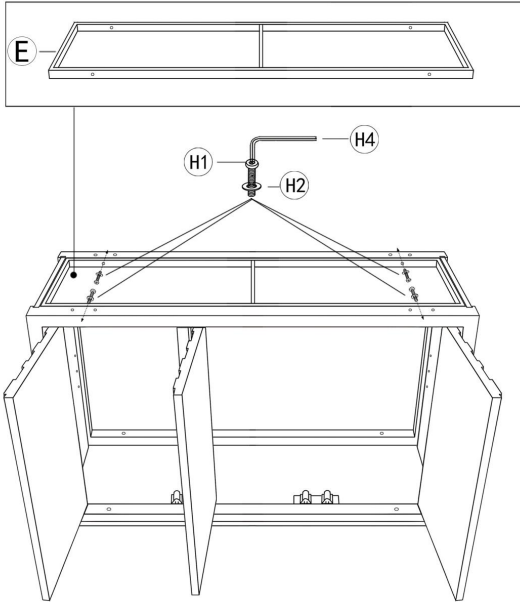
Step 1: Put the Tabletop (A) on a soft surface to protect the finish. Attach Front panel (B)&Back panel (C) to the Top (A) with Hex bolts (H1) & Washers (H2) using Allen key (H4). Ensure the panel (B&C) aligned the groove on Top(A). **Leave hardware loose in this step.**



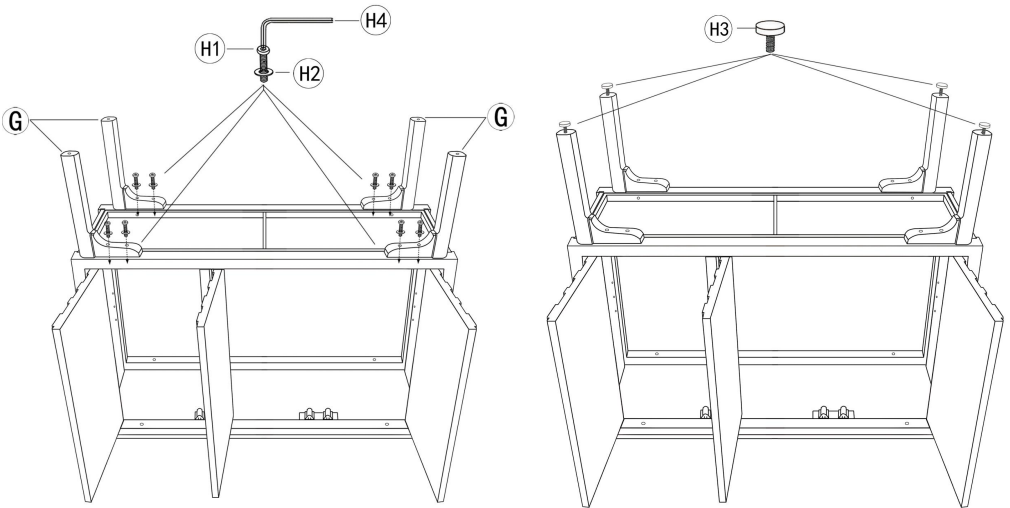
Step 2: Insert the Side panels (D) as shown below. Ensure the side panel (D) aligned with Groove on the Front panel (B)&Back panel (C). **Leave hardware loose in this step**



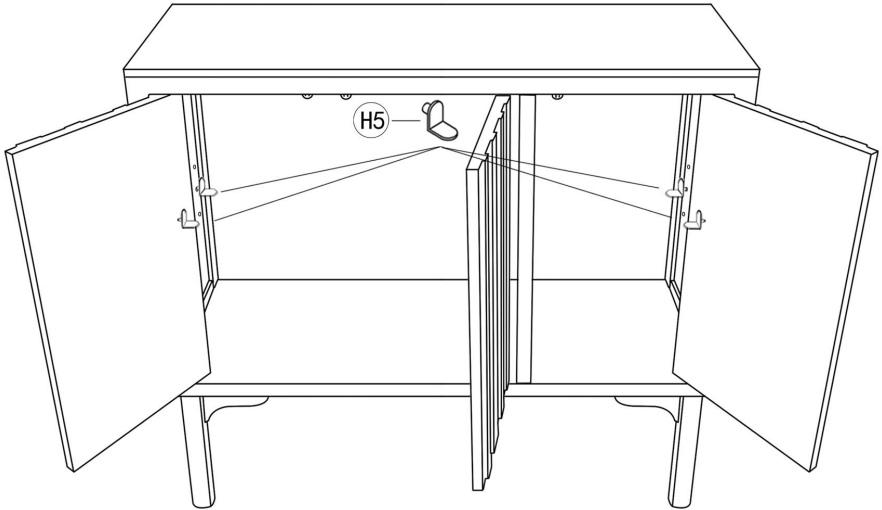
Step 3: Attach the Bottom panel (E) with Hex bolts (H1) and Washers (H2) by Allen key (H4) as shown below. **Fully tighten all bolts from Step 1 to 3.**



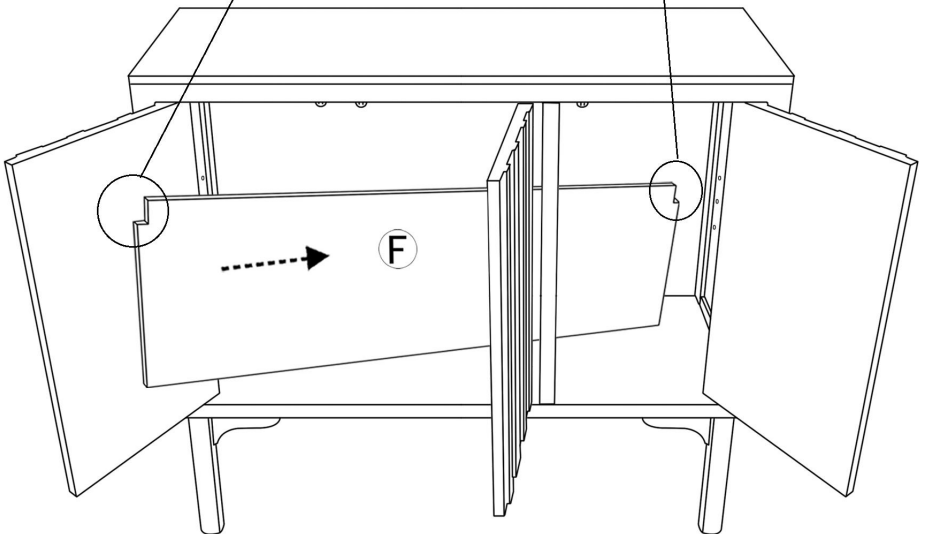
Step 4: Attach the Legs (G) with Hex bolts (H1) and Washers (H2) by Allen key (H4) as shown below. Attach the Foot pad (H3) to the bottom of the legs.



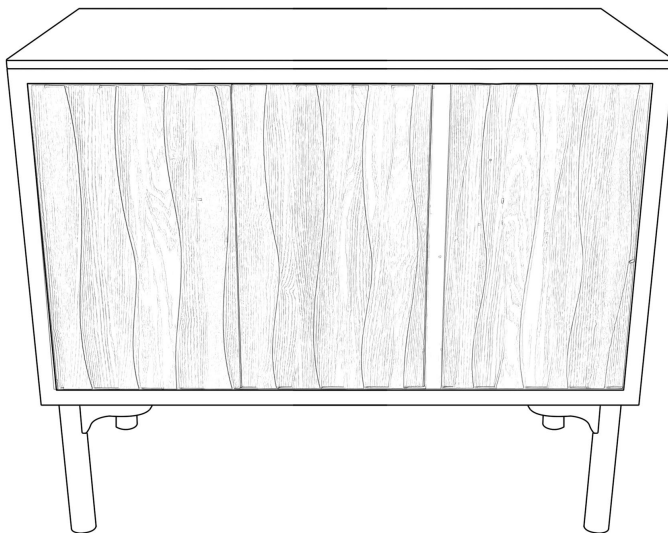
Step 7: Open the doors, insert the Shelf pins (H5) into the holes. Place the Shelf (F) inside as shown in picture below. (Each side panel with 6 adjustable holes.)



This side is closer to the Back panel (C)



Assembly finished.



Notice:

If you encounter any issues during installation or use, please email us at support@mi-din.com, including your order ID and a detailed description of the problem. If possible, please provide relevant images to expedite assistance. We will strive to resolve any issues promptly.