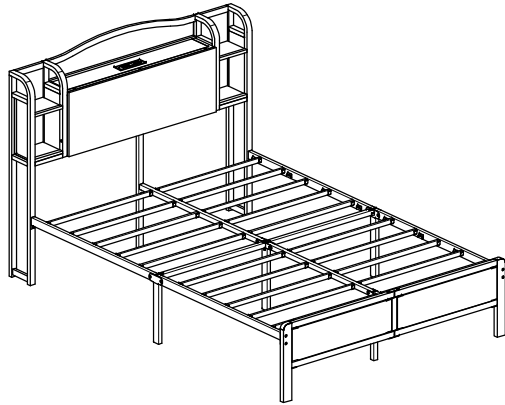


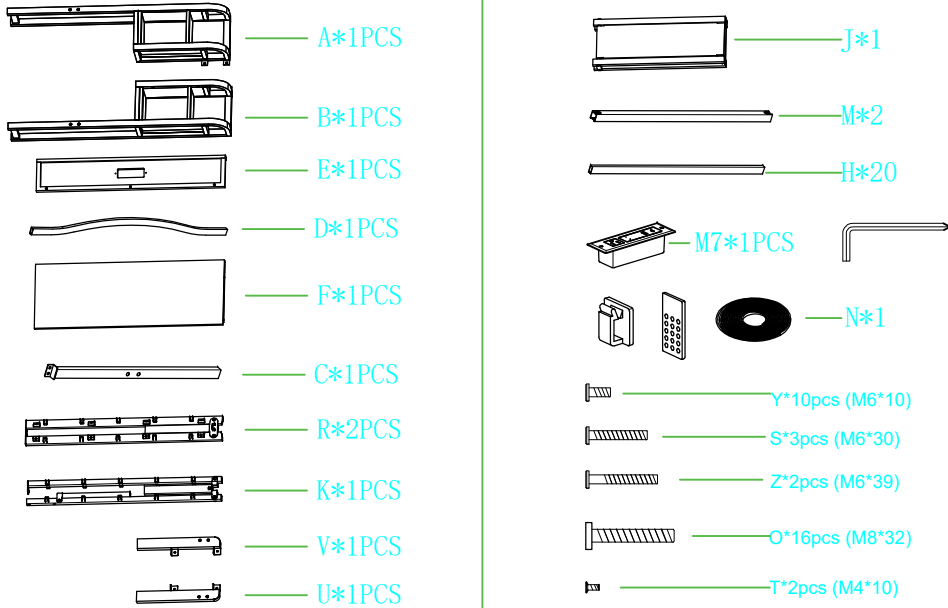
Assembly Instruction A1

If you have any questions about the product, please don't hesitate to contact us.



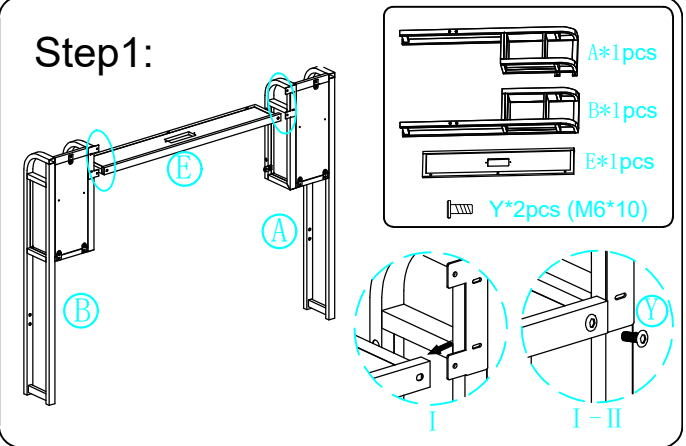
CB-2

Component composition

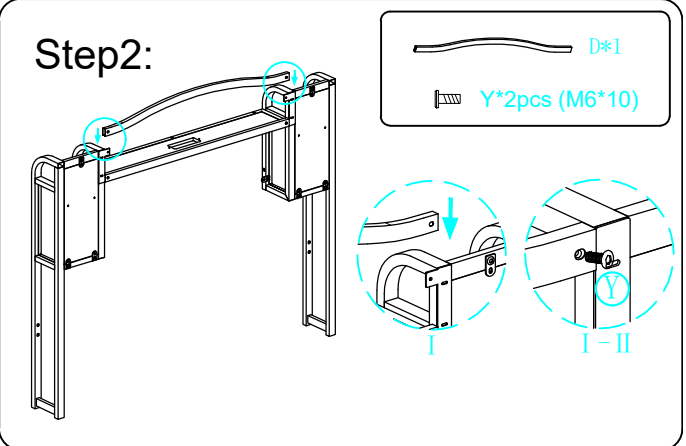


Assemble The Steps

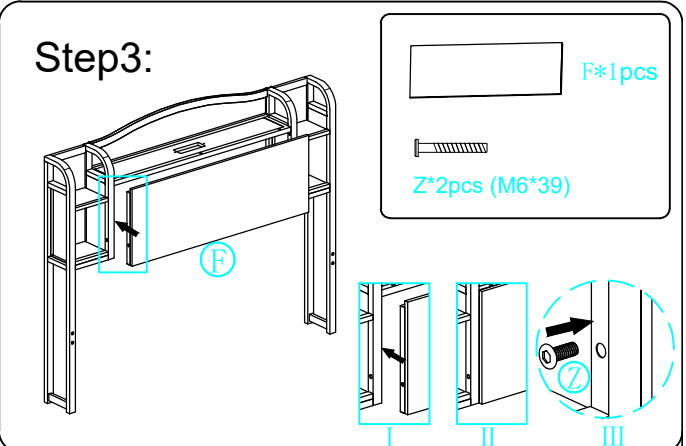
Step1:



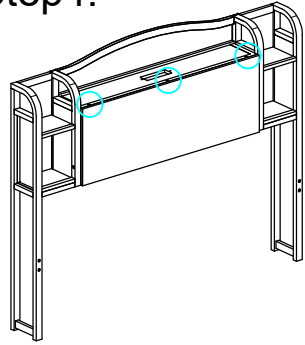
Step2:



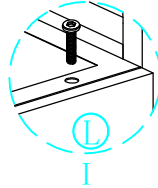
Step3:



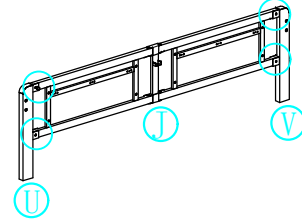
Step4:



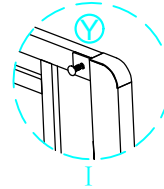
L*3pcs (M6*30)



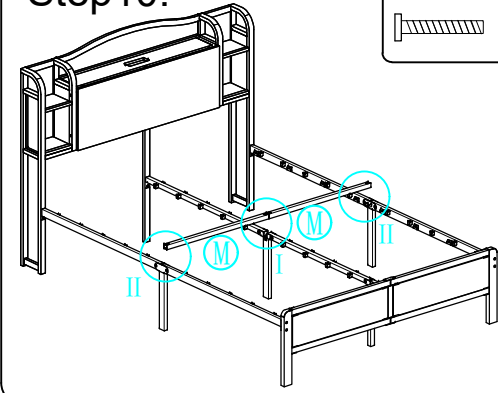
Step7:



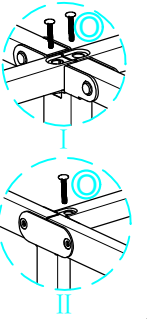
J*1
V*1
U*1
Y*4pcs (M6*10)



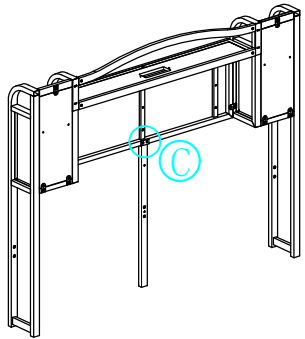
Step10:



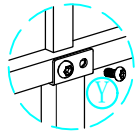
M*2
O*4pcs (M8*32)



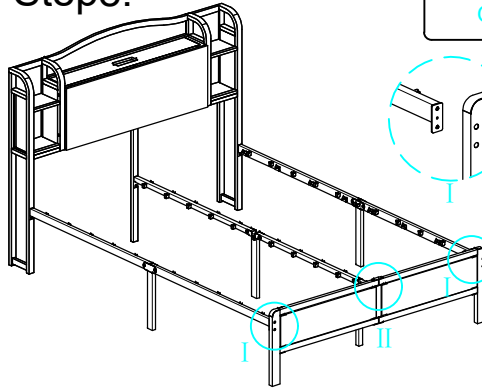
Step5:



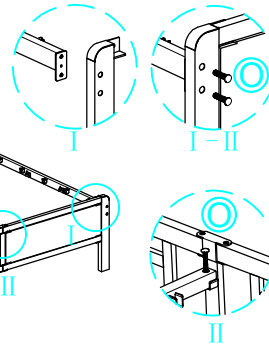
C*1
Y*2pcs (M6*10)



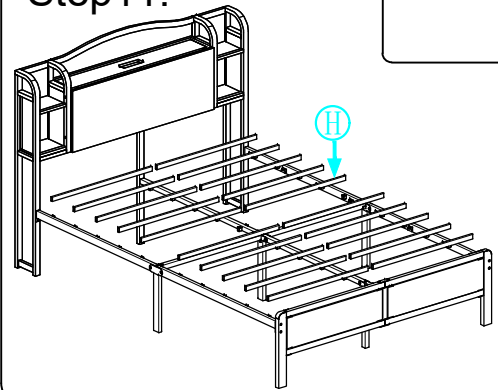
Step8:



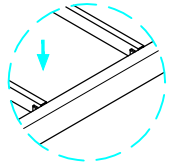
O*5pcs (M8*32)



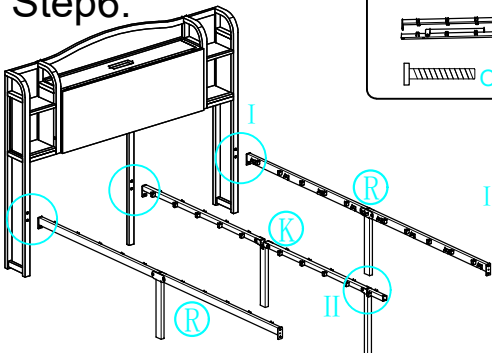
Step11:



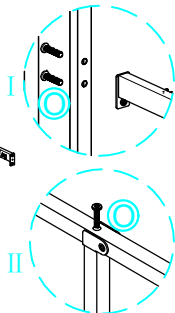
H*20



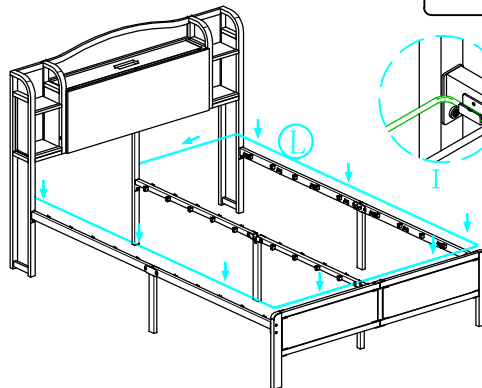
Step6:



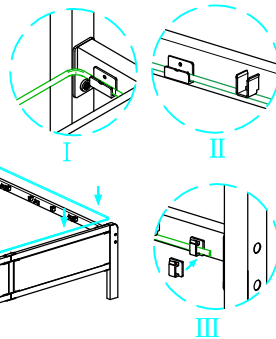
R*2
K*1
O*7pcs (M8*32)



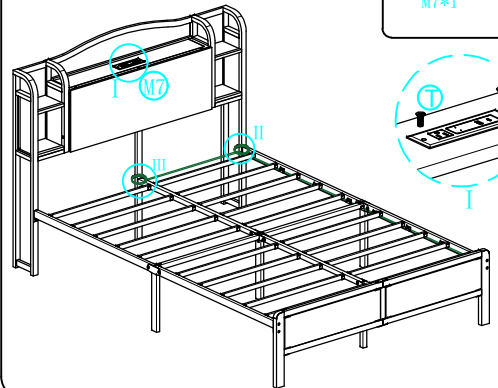
Step9:



N*1



Step12:



M7*1
T*2pcs (M4*10)

