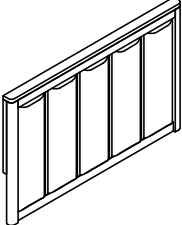
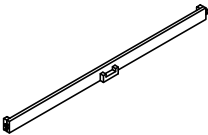



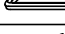
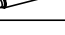




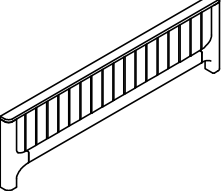
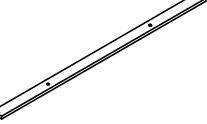


# Assembly Instruction

Item No: Queen 5/0 Panel Upholstered Headboard  
 Queen 5/0 Panel Bed Footboard with slats  
 Queen / King 5/0 - 6/6 Rails

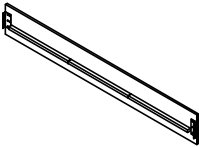
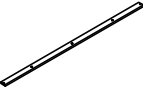


## PARTS LIST

 UPH Headboard : 1Pc	 Headboard stretcher : 1Pc	<b>⑤ HARDWARE LIST</b>			
		NO.	DRAWING	DESCRIPTION	
		A		Flat Washer $\phi 5/16"$ x 19*2mm	8Pcs
		B		Spring Washer $\phi 5/16"$	8Pcs
		C		Bolt $\phi 5/16"$ x 2"	8Pcs
		D		Allen Key 5mm	1Pc
		E		Touch Pen	1Pc
 Headboard Post Left : 1Pc	 Headboard Post Right : 1Pc				

## PARTS LIST

 Footboard Panel: 1Pc	 Support Leg : 10Pcs	<b>⑨ HARDWARE LIST</b>			
		NO.	DRAWING	DESCRIPTION	
		F		Wood Screw #8 x 1"	10Pcs
	 Wood Slats : 5Pcs				

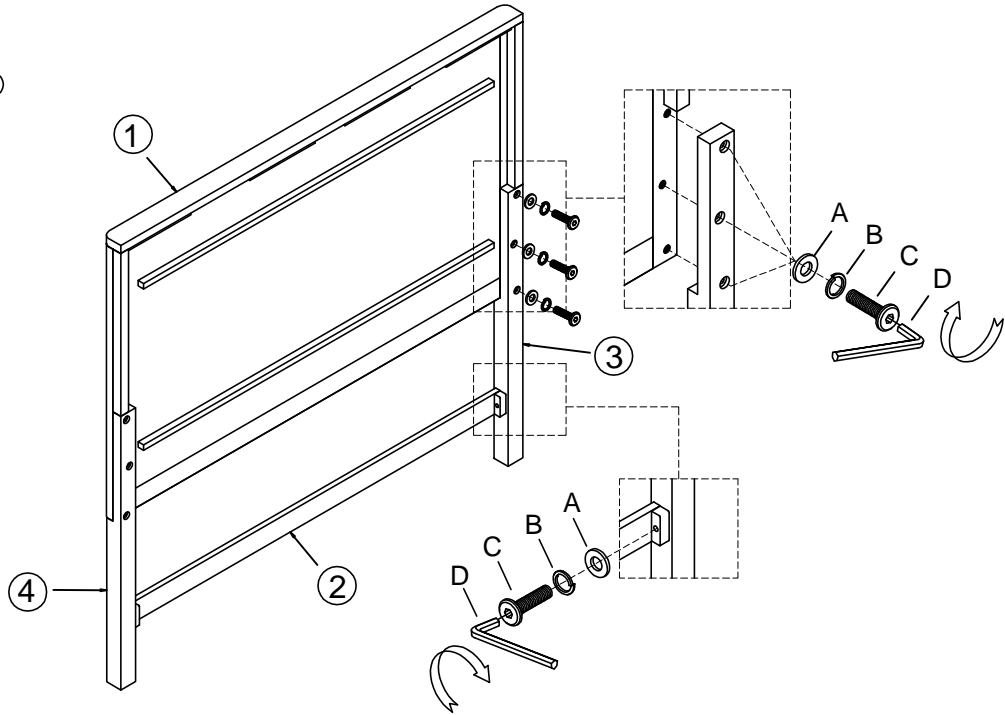
## PARTS LIST

 Side Rails : 2Pcs	 Bed Slats : 1Pcs				
		 Support Leg : 3Pcs			
<b>⑬ HARDWARE LIST OF BESC#125066R</b>					
NO.	DRAWING	DESCRIPTION			
G		Wood Screw #8 x 1"	2Pcs		

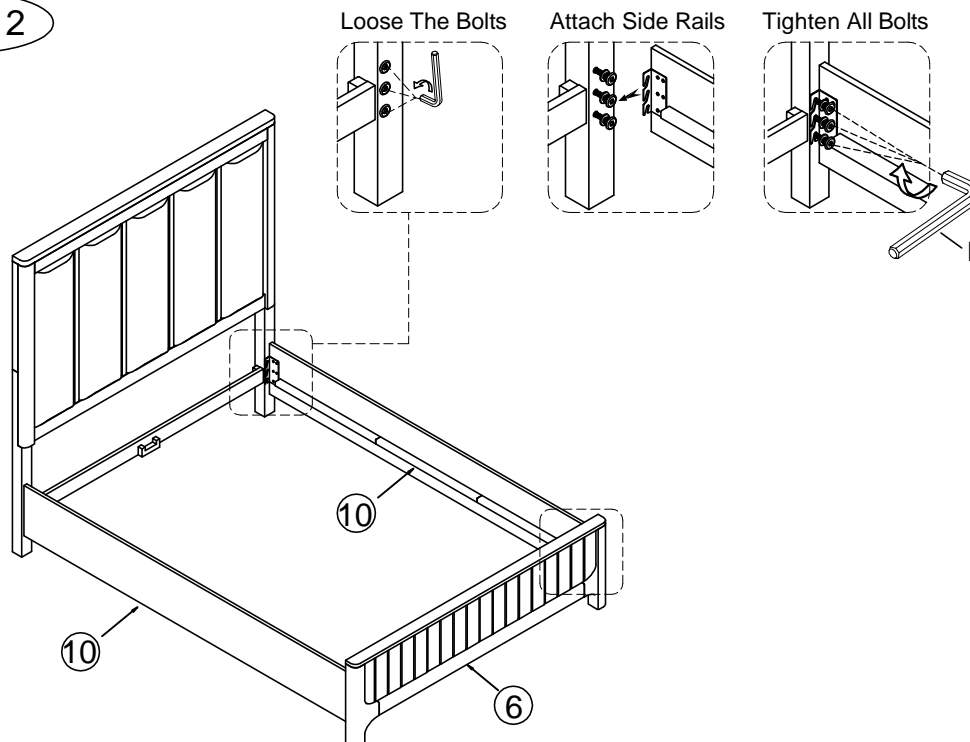
# Assembly Instruction

Item No: Queen 5/0 Panel Upholstered Headboard  
Queen 5/0 Panel Bed Footboard with slats  
Queen / King 5/0 - 6/6 Rails

## STEP 1



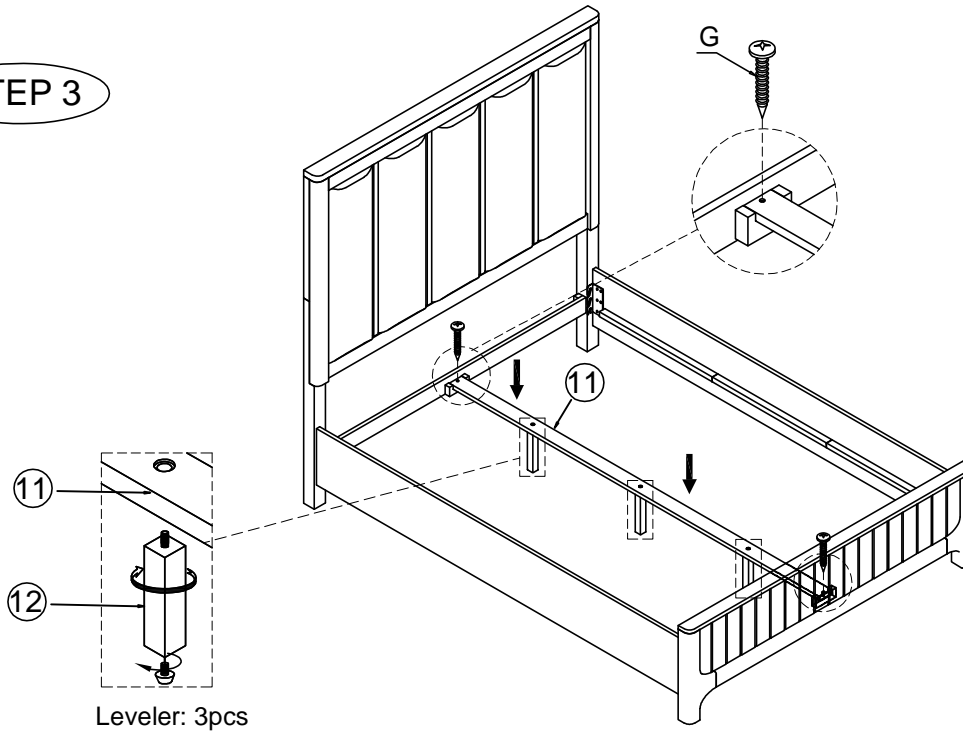
## STEP 2



# Assembly Instruction

Item No: Queen 5/0 Panel Upholstered Headboard  
Queen 5/0 Panel Bed Footboard with slats  
Queen / King 5/0 - 6/6 Rails

## STEP 3



## STEP 4

