



Pendant Light Fixtures

Product specification

AFTER-SALES SERVICE

Our team always insists on the principle of quality first and customers first!

PLEASE READ THE INSTRUCTION CAREFULLY.FOLLOW ALL STEPS AND PAY ATTENTION TO THE WARNINGS

! WARNING

- Turn the electricity off at the main circuit breaker panel before installation. Thoroughly wash hands after finishing.
- Remove the fixture and the mounting package from the box and make sure that no parts are missing by referencing the illustrations on the installation instructions.
- All electrical connections must be following local and National ElectricalCode (N.E.C.) standards. If you are unfamiliar with proper electrical wiring connections, please ask for help from a qualified electrician.

! CAUTION

The glass shade is fragile, please take care of your hands when handling glass components or lamps.

PART LIST AND ASSEMBLY ILLUSTRATION

Note: Some parts may be pre-installed or pre-assembled

NO	a	b	c	d	e
COMPONENT					
QUANTITY	1	1	1	1	3

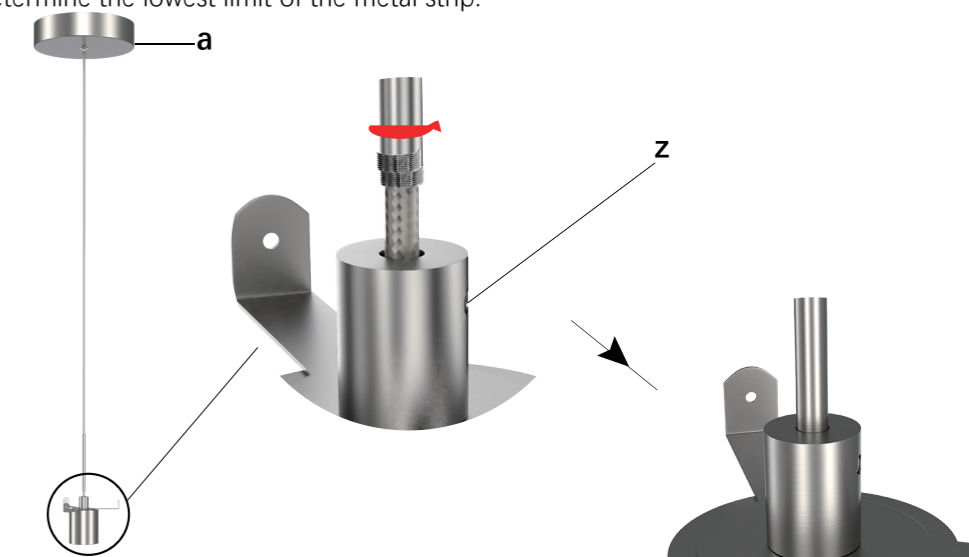
NO	f	g	h	i	j
COMPONENT					
QUANTITY	2	2	3	3	3

INSTALLATION STEPS

Please strictly follow the steps in this manual for installation, otherwise there is a risk of damage to the product.

STEP 1

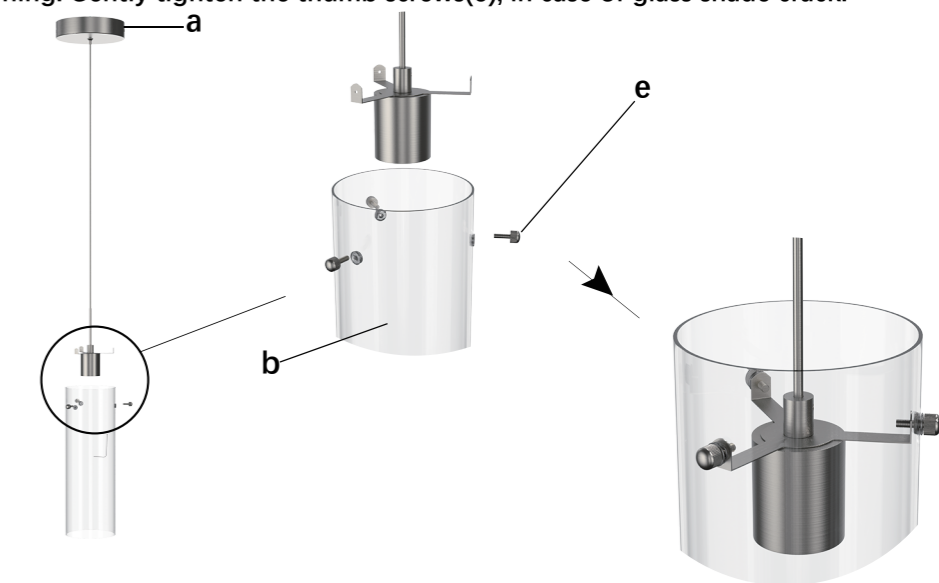
Screw the metal strip into the rack. The hole (Z) does not require a screw, and its purpose is to determine the lowest limit of the metal strip.



STEP 2

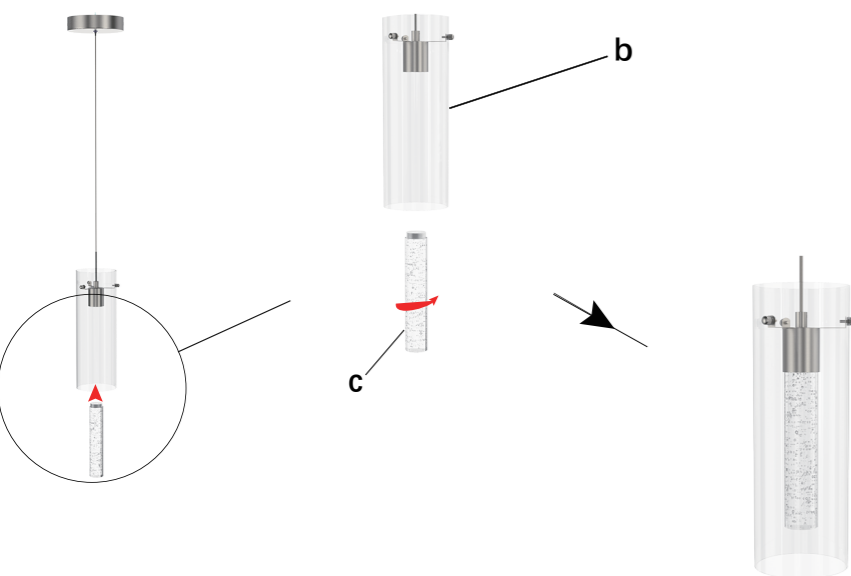
Connect the metal rack(a) and glass shade(b).

Warning: Gently tighten the thumb screws(e), in case of glass shade crack.



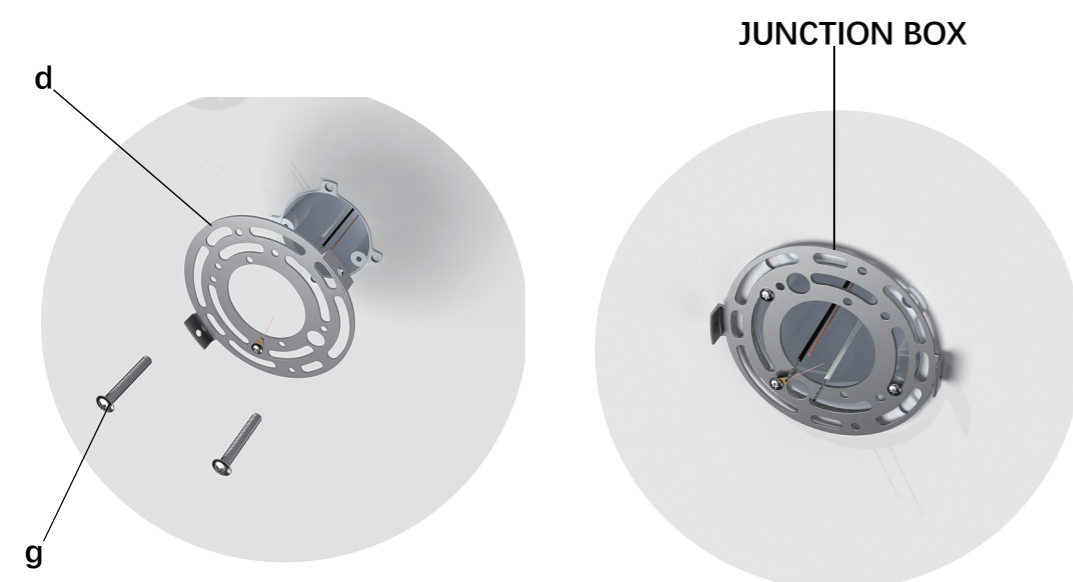
STEP 3

Screw the crystal pillar(c) into the middle interface of the metal rack.



STEP 4

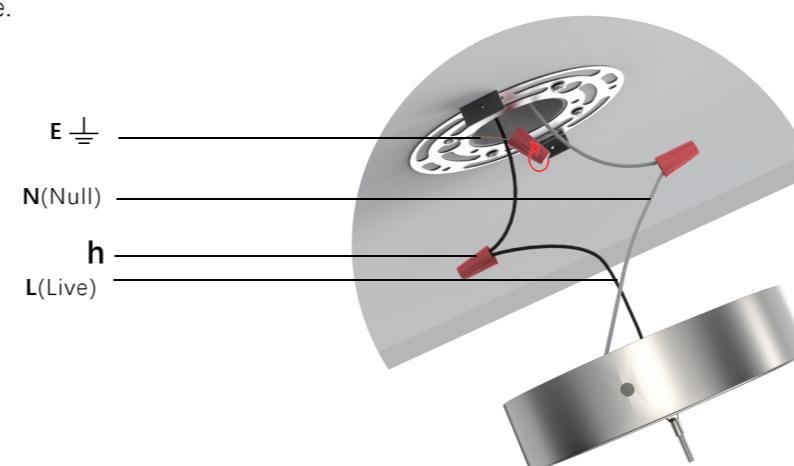
Fix the mounting bracket(d) to the JUNCTION BOX with screws(g).



STEP 5

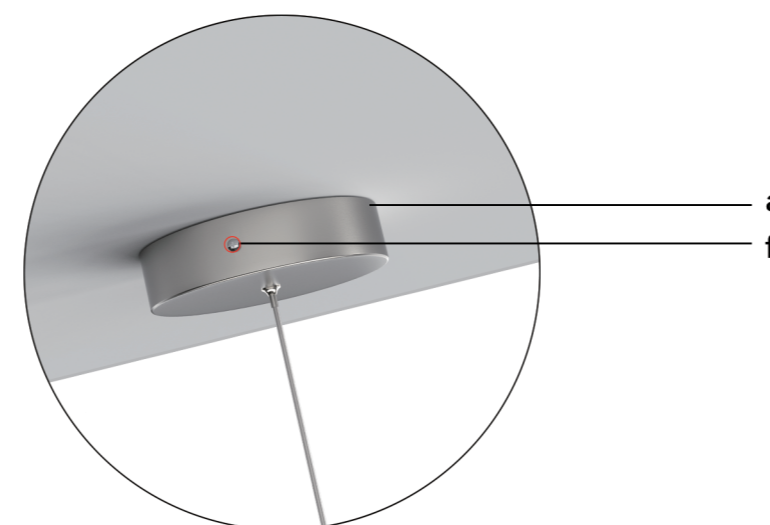
Connect wire and wire nuts.

Notes:The L wire is Live Wire, the N wire is Null Wire, and gold wire is Earth Wire.



STEP 6

Carefully tuck wires back into the mounting bracket and then fix the back plate(a) with screws(f).



Turn on the light, it's in perfect view!

