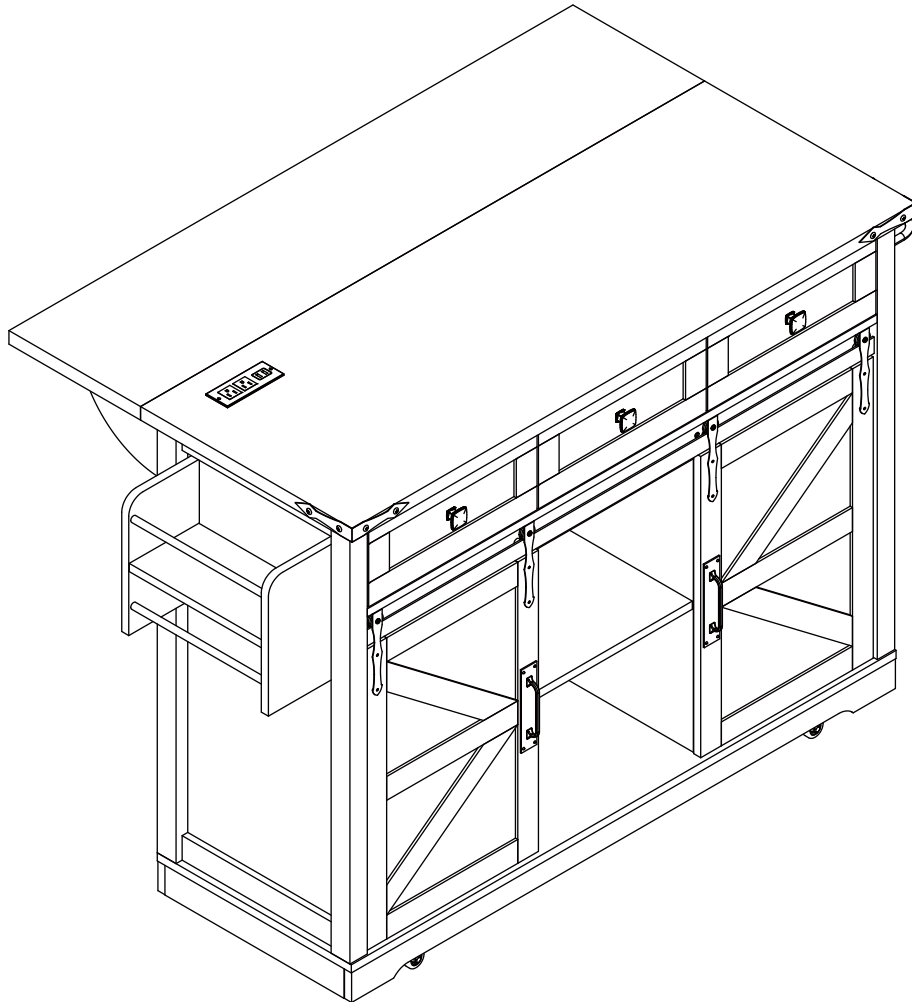


Kitchen Island Carts

Assembly Instructions - Please keep for future reference



Dimensions

Width-47.2inch

Depth-17.7inch+11inch

Height-36.2inch

Important – Please read these instructions fully before starting assembly



Safety and Care Advice

Important – Please read these instructions fully before starting assembly

- Check you have all the components and tools listed on the following pages.
- Remove all fittings from the plastic bags and separate them into their groups.
- Keep children and animals away from the work area, small parts could choke if swallowed.
- Make sure you have enough space to layout the parts before starting.

- During assembly do not stand or put weight on the product, this could cause damage.
- Assemble the item as close to its final position (in the same room) as possible.
- Assemble on a soft level surface to avoid damaging the unit or your floor.
- Parts of the assembly will be easier with 2 people.



power drill is set on a low torque setting.

- To reduce the likelihood of damaging your product please ensure that your

Care and maintenance

- Only clean using a damp cloth and mild detergent, do not use bleach or abrasive cleaners.
- From time to time check that there are no loose screws on this unit.
- This product should not be discarded with household waste. Take to your local authority waste disposal centre.

Handy Hints

- Assemble all parts and bolts loosely during assembly, only once the product is complete should you fully tighten the bolts
- Regularly check and ensure That all bolts and fittings are tightened properly.

WARNING In order to help prevent overturning – please follow these instructions

To help prevent product toppling over please follow the below steps:-

Use the anti tip strap or wall fixing method provided (if applicable)
Do not allow children to climb or hang on the furniture
Do not open more than one drawer at a time
Do not place heavy items in the top drawers
Do not place heavy items on top of the furniture, unless the furniture has been designed for this purpose



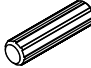

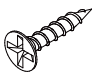
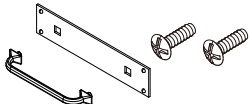
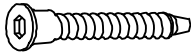
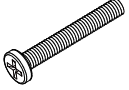

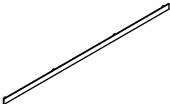
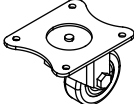
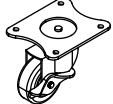
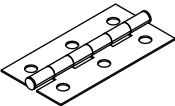
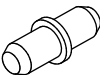
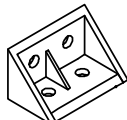

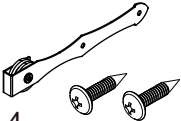
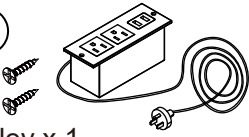
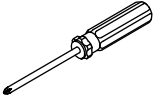

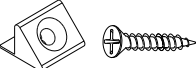

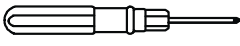
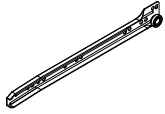

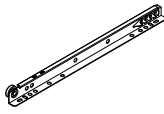
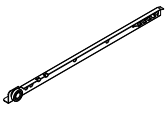
Please note that only the anti tip strap is provided.

You will need to provide wall plugs and screws applicable for your wall type

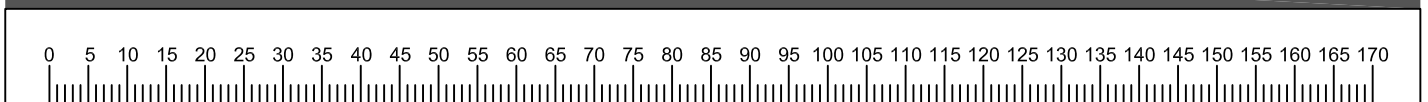
Components - Fittings

Please check you have all the panels listed below

Note: The quantities below are the correct amount to complete the assembly. In some cases more fittings may be supplied than are required.

 (A) Cam Bolt x 42	 (B) Cam lock x 42	 (C) 6*40mm Dowel x 34	 (D) 3.5*30mm Screw x 18
 (E) 3*12mm Screw x 91	 (F) Hold hands + 4*22mm Screw x 2	 (G) 7x40mm Screw x 12	 (H) 6*50mm Screw x 2
 (I) 6*25mm Screw x 23	 (J) Iron bar x 1	 (K) Caster x 3	 (L) Locking caster x 2
 (N) hinge x 7	 (O) Pivot x 10	 (P) Angle iron x 4	 (Q) Hold hands x 3 4*16mm Screw x 3
 (R) Pulley x 4	 (S) Pulley x 1	 (T) Screwdriver x 1	 (Y) Y2 x2 Y1
 (W) 3*16mm Screw x 12	 (X) Allen Wrench x 1	 x1	
 (CR) Runner 300mm x 3	 (CL) Runner 300mm x 3	 (DR) Runner 300mm x 3	 (DL) Runner 300mm x 3

Ruler - Use this ruler to help correctly identify the screws



The screws length is measured from the head to the point (35mm screw shown).

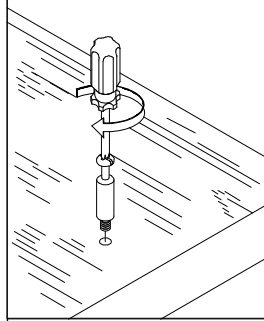
Using Camlocks

Step 1

Connect the male camlock as directed in the assembly instructions using a screwdriver.

1

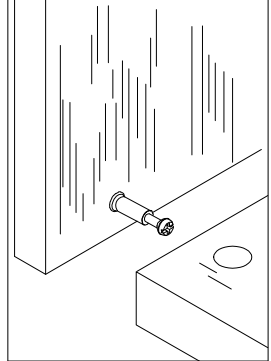
DO NOT OVER TIGHTEN.
NE PAS SERRER EXCESSIVEMENT.



Step 2

Push the male camlock into the entry hole.

2

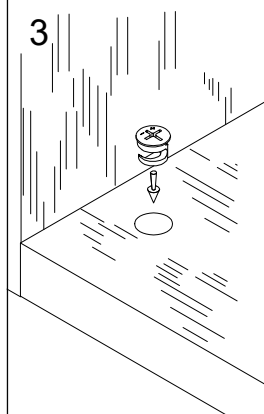


Step 3

Insert the female camlock as shown in the instruction.

Note: ensure that the arrow on the top of the camlock points towards the entry hole for the male camlock.

3



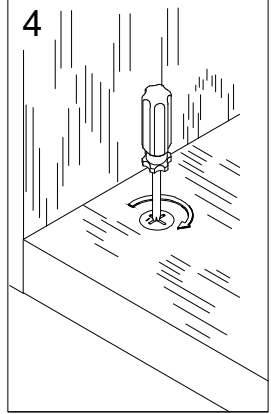
Step 4

Turn the female camlock clockwise with a screwdriver.

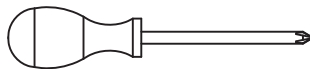
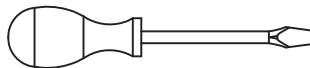
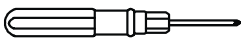
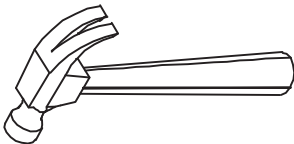
You should feel a click when the camlock is locked in place.

The joint is now secure.

4

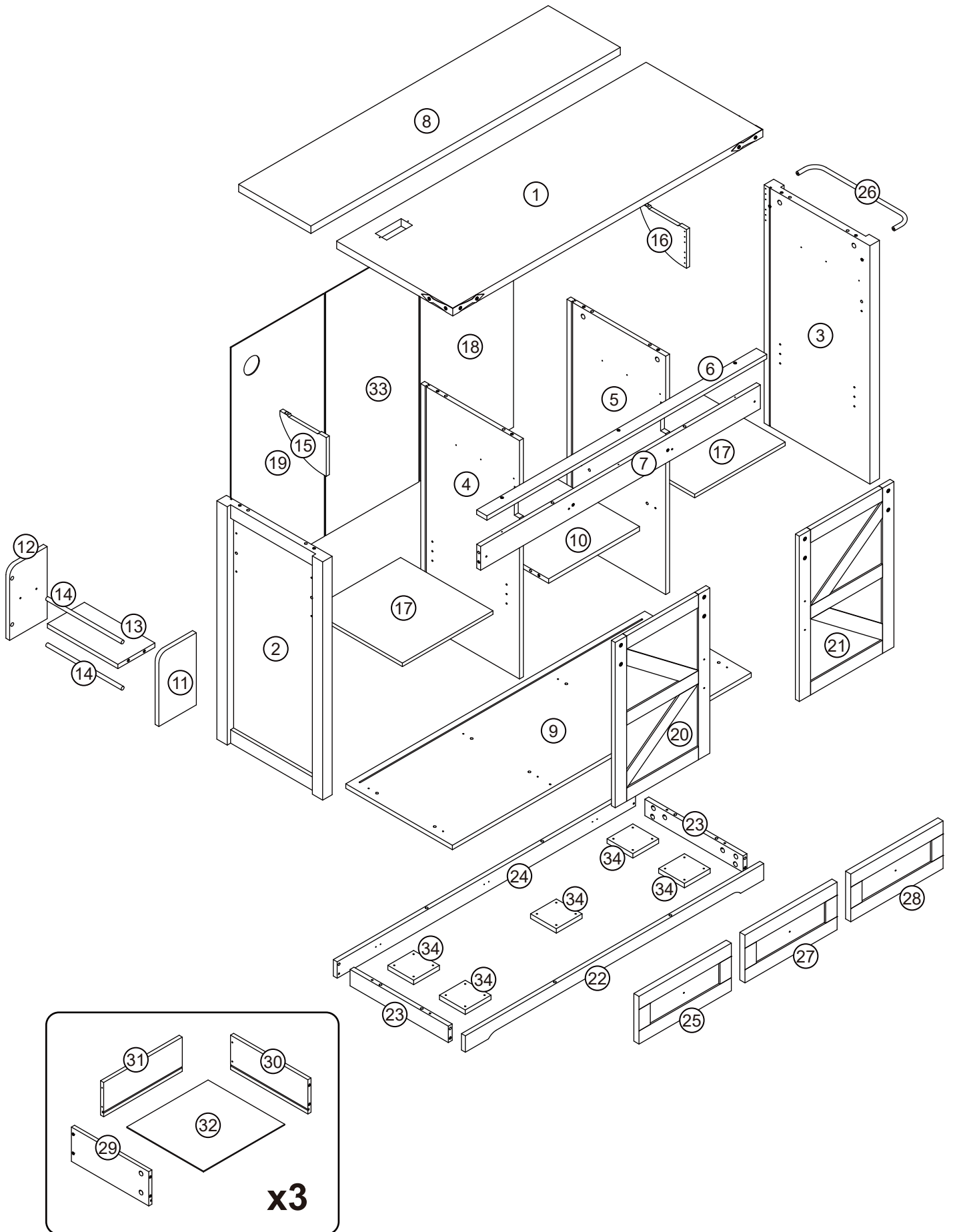


Tools required



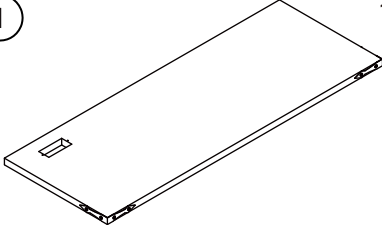
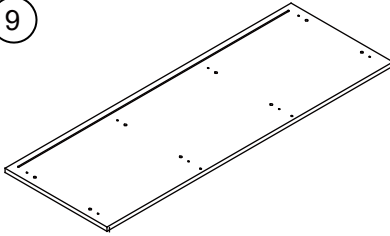
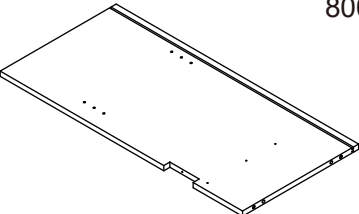
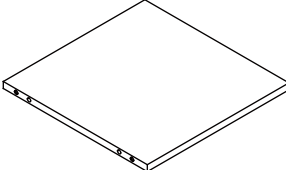
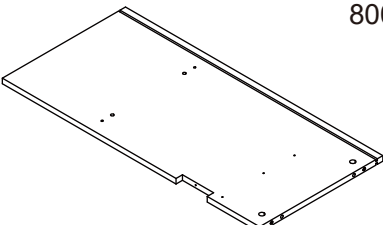
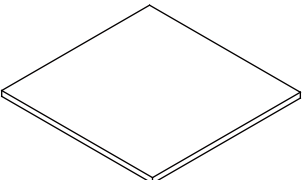
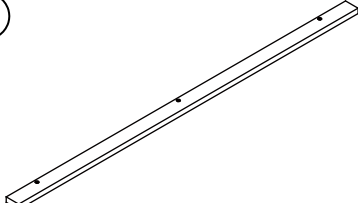
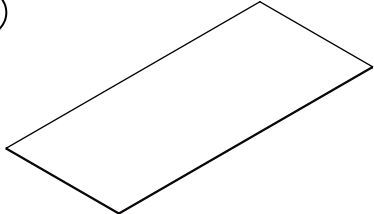
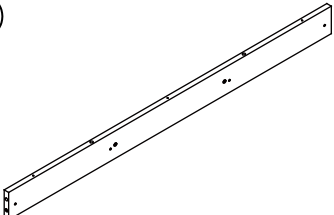
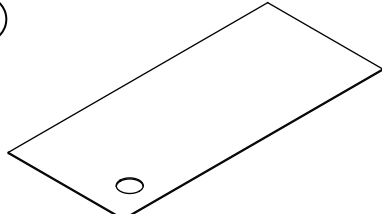
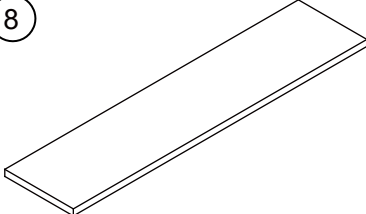
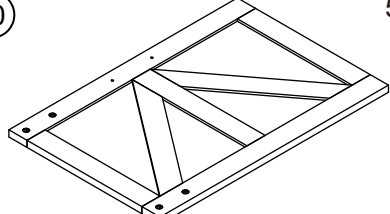
Phillips screwdriver
(medium & large)

Assembly Instructions

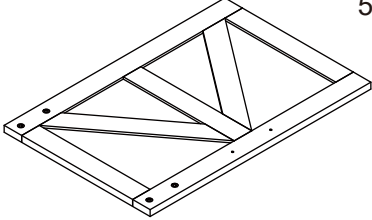
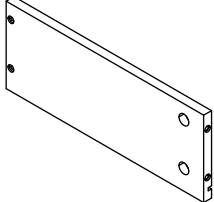
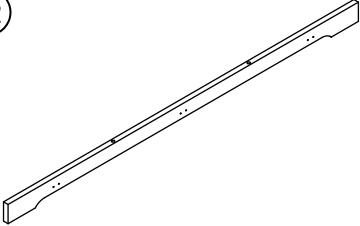
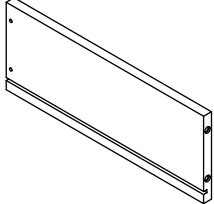
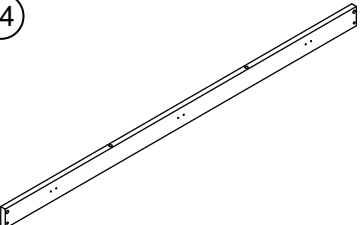
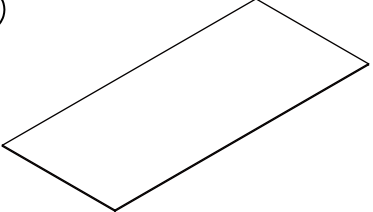


Assembly Instructions

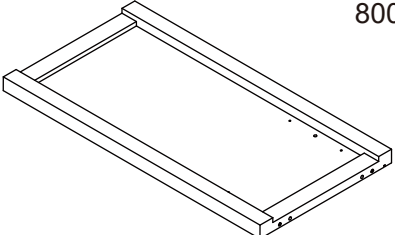
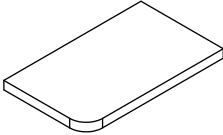
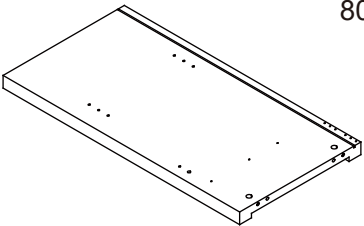
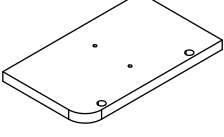
BOX A

<p>① 1200 x 450 x 24 mm</p>  <p>1</p>	<p>⑨ 1158 x 416 x 15 mm</p>  <p>1</p>
<p>④ 800 x 384 x 15 mm</p>  <p>1</p>	<p>⑩ 350 x 358 x 15 mm</p>  <p>1</p>
<p>⑤ 800 x 384 x 15 mm</p>  <p>1</p>	<p>⑰ 349 x 349 x 12 mm</p>  <p>2</p>
<p>⑥ 1080 x 40 x 15 mm</p>  <p>1</p>	<p>⑱ 808 x 358 x 4 mm</p>  <p>1</p>
<p>⑦ 1080 x 80 x 15 mm</p>  <p>1</p>	<p>⑲ 808 x 358 x 4 mm</p>  <p>1</p>
<p>⑧ 1200 x 280 x 24 mm</p>  <p>1</p>	<p>⑳ 556 x 366 x 15 mm</p>  <p>1</p>

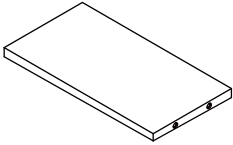
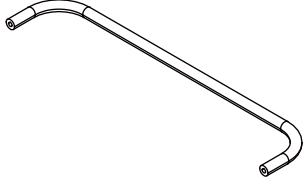
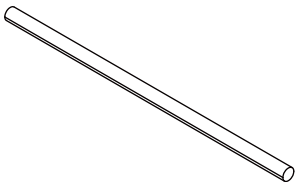
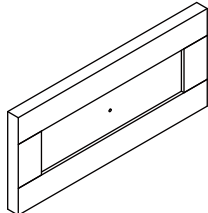
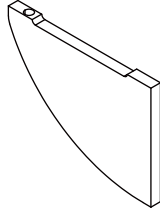
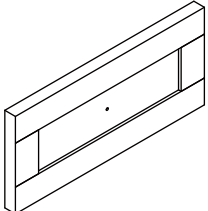
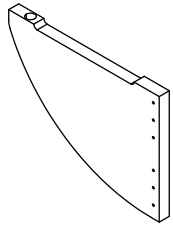
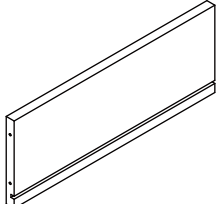
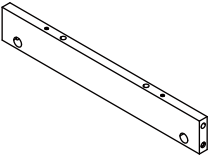
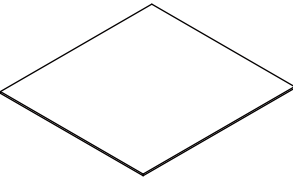
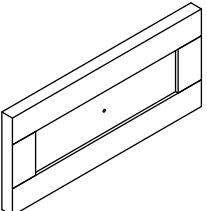
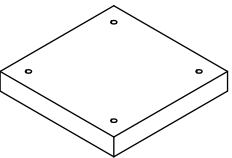
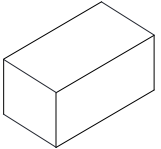
Assembly Instructions

<p>(21)  556 x 366 x 15 mm</p> <p>1</p>	<p>(29)  301 x 114 x 12 mm</p> <p>3</p>
<p>(22)  1156 x 56 x 15 mm</p> <p>1</p>	<p>(30)  301 x 114 x 12 mm</p> <p>3</p>
<p>(24)  1156 x 56 x 15 mm</p> <p>1</p>	<p>(33)  808 x 358 x 4 mm</p> <p>1</p>

BOX B

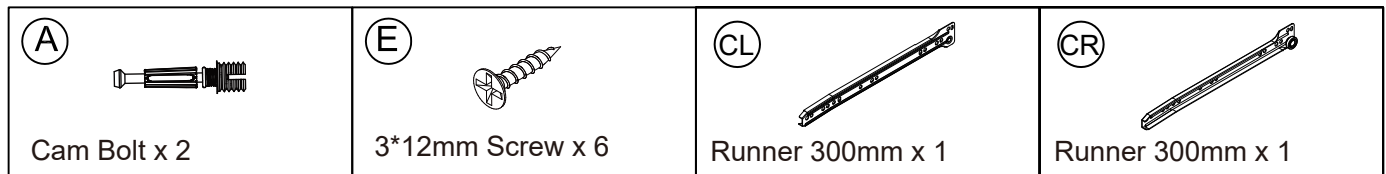
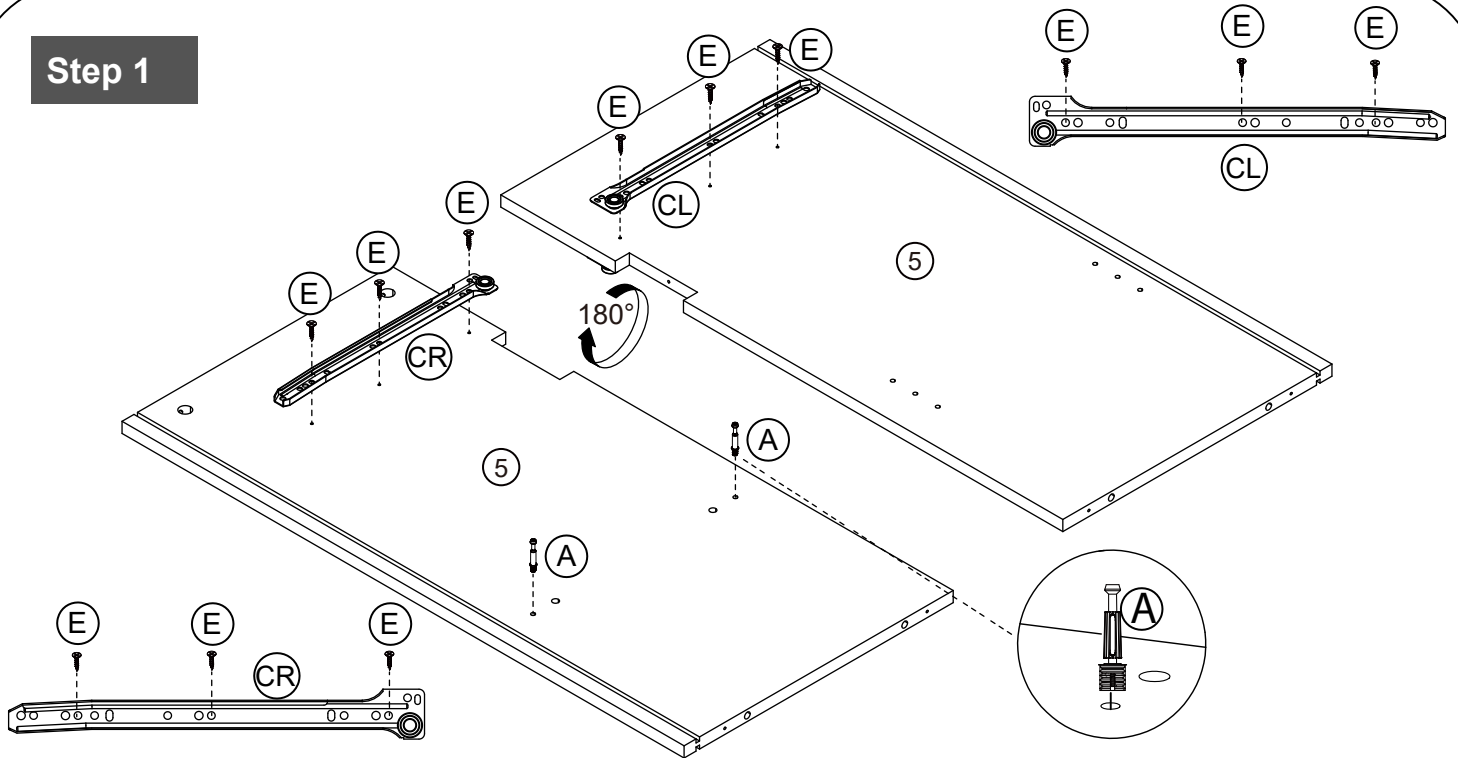
<p>(2)  800 x 412 x 37 mm</p> <p>1</p>	<p>(11)  250 x 150 x 15 mm</p> <p>1</p>
<p>(3)  800 x 412 x 37 mm</p> <p>1</p>	<p>(12)  250 x 150 x 15 mm</p> <p>1</p>

Assembly Instructions

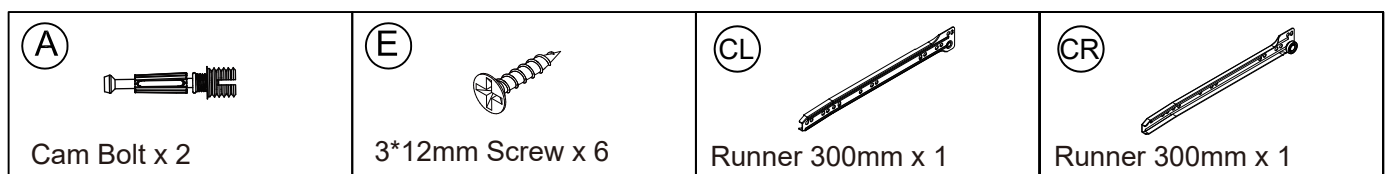
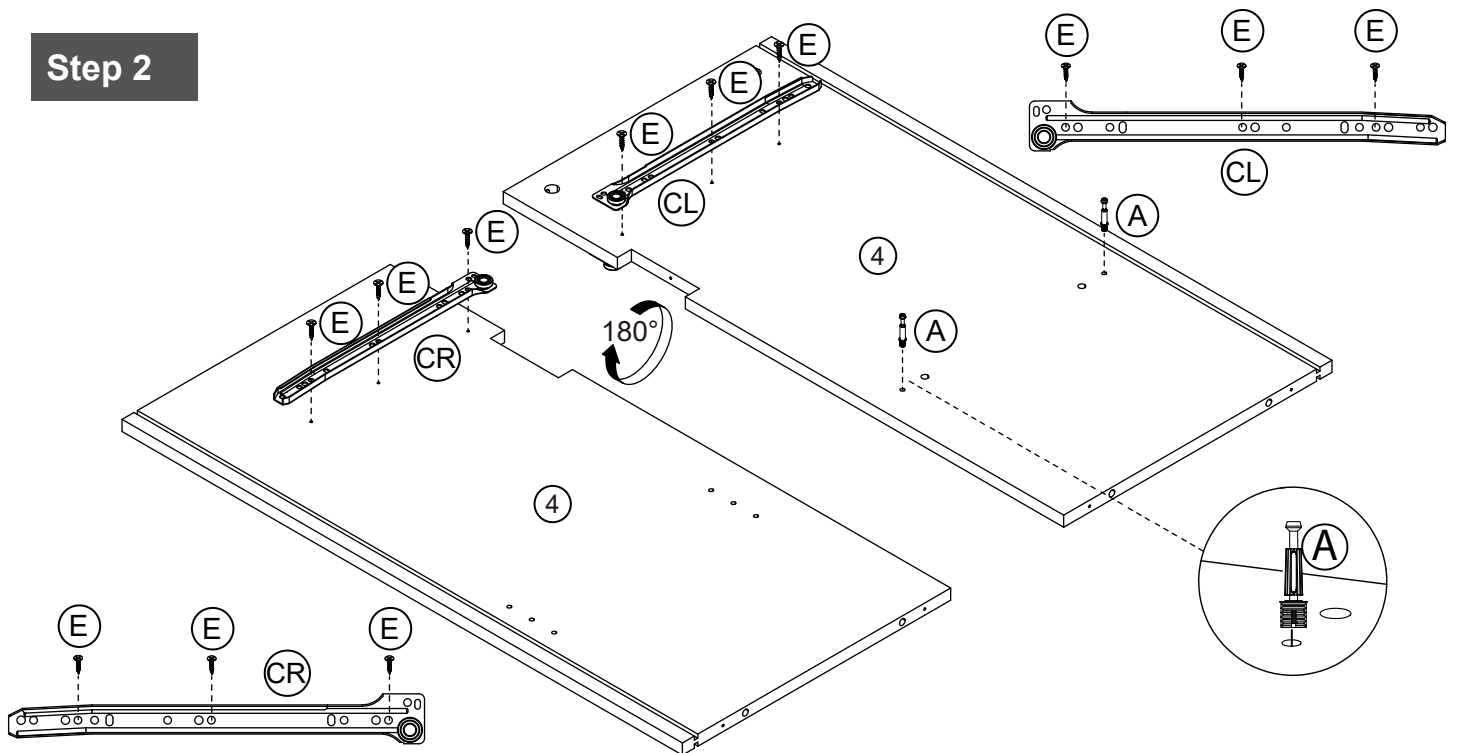
<p>⑬</p> <p>288 x 148 x 15 mm</p>  <p>1</p>	<p>⑳</p> <p>379 x 80 x 13 mm</p>  <p>1</p>
<p>⑭</p> <p>308 x 16 mm</p>  <p>2</p>	<p>㉑</p> <p>357 x 160 x 16 mm</p>  <p>1</p>
<p>⑮</p> <p>180 x 134 x 15 mm</p>  <p>1</p>	<p>㉒</p> <p>357 x 160 x 26 mm</p>  <p>1</p>
<p>⑯</p> <p>180 x 134 x 15 mm</p>  <p>1</p>	<p>㉓</p> <p>301 x 114 x 12 mm</p>  <p>3</p>
<p>㉔</p> <p>384 x 56 x 15 mm</p>  <p>2</p>	<p>㉕</p> <p>308 x 295 x 4 mm</p>  <p>3</p>
<p>㉖</p> <p>358 x 160 x 20 mm</p>  <p>1</p>	<p>㉗</p> <p>100 x 100 x 15 mm</p>  <p>5</p>
<p>Hardware kid x1</p>  <p>1</p>	

Assembly Instructions

Step 1

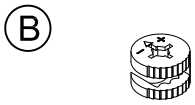
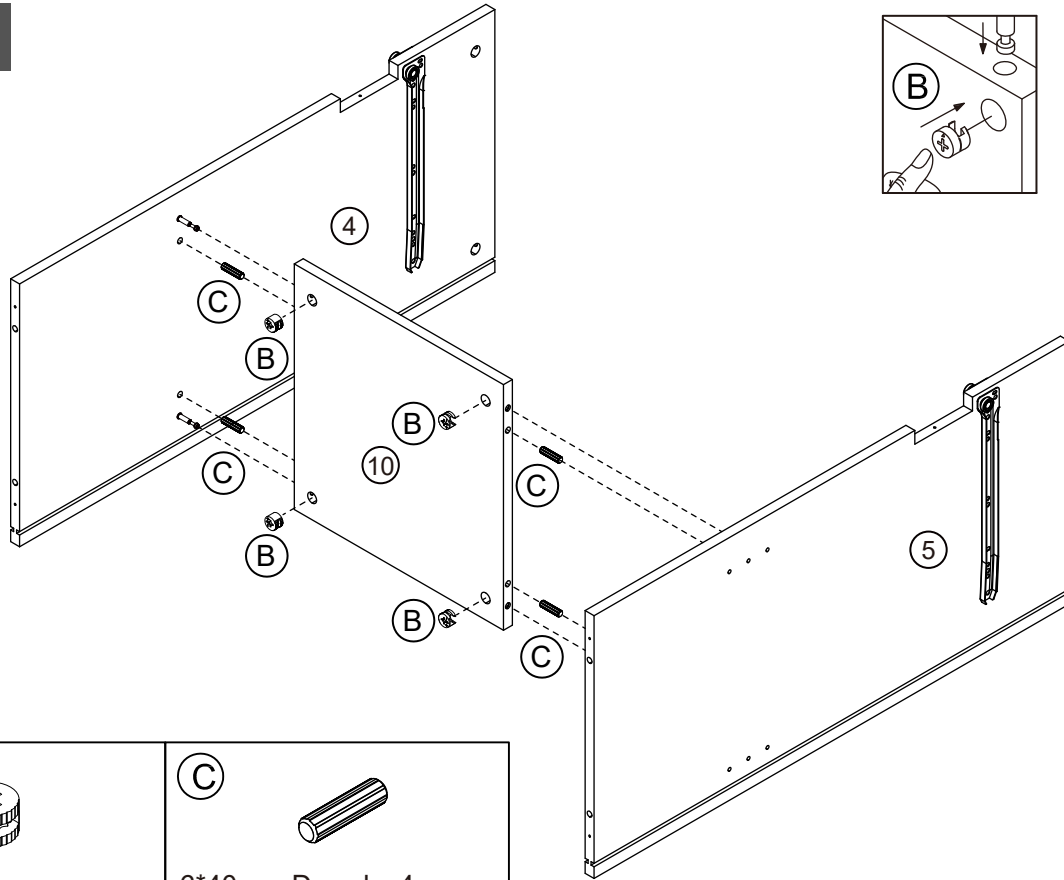


Step 2

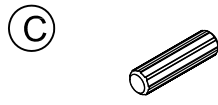


Assembly Instructions

Step 3

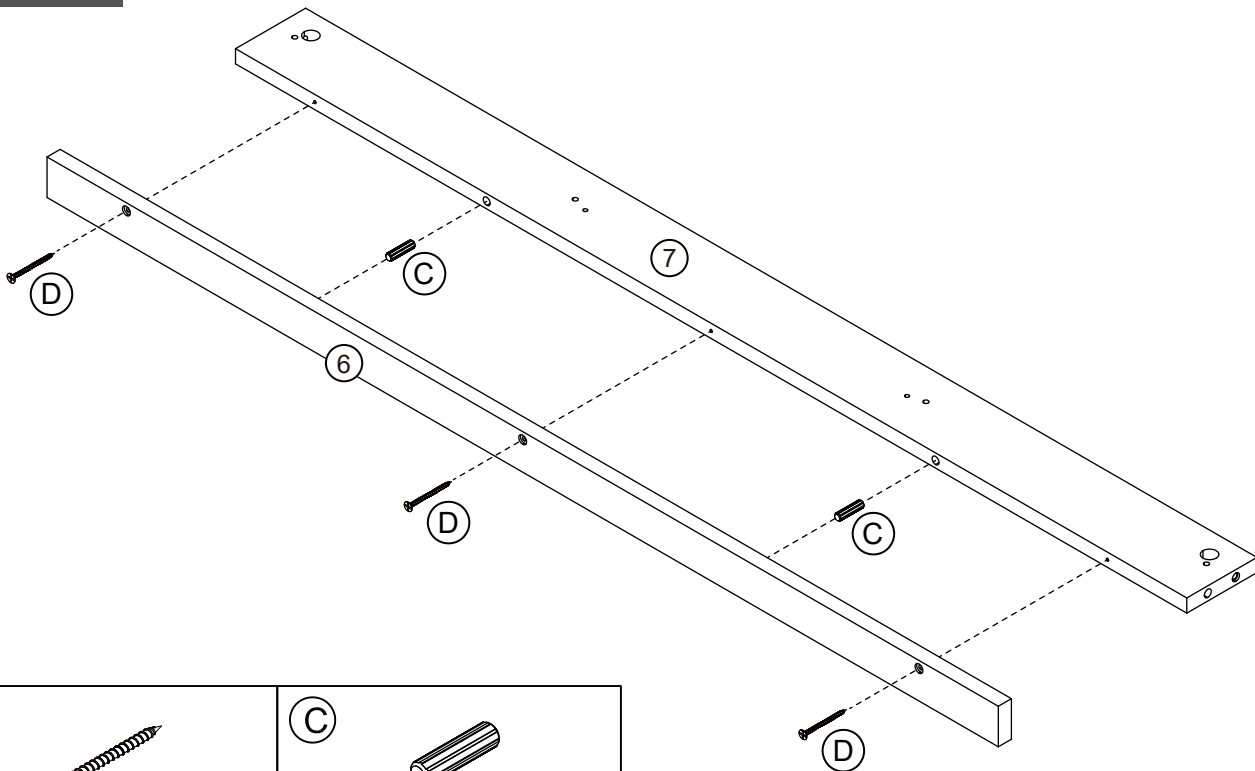


Cam lock x 4

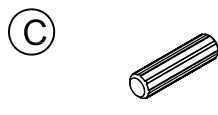


6*40mm Dowel x 4

Step 4



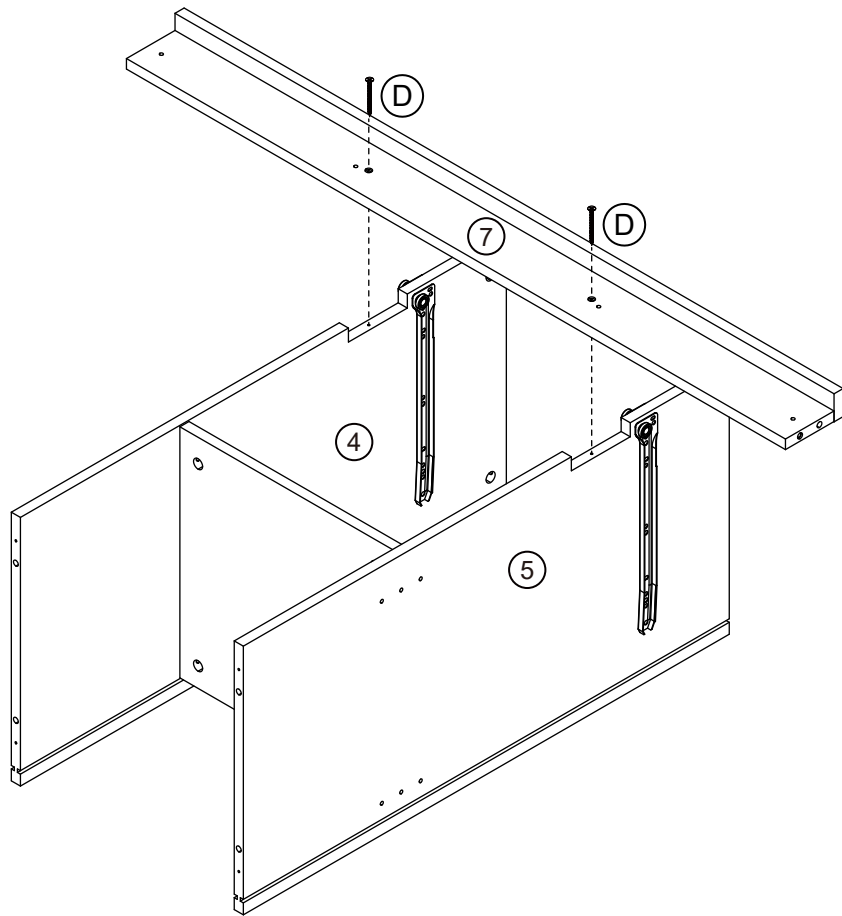
3.5*30mm Screw x 3



6*40mm Dowel x 2

Assembly Instructions

Step 5

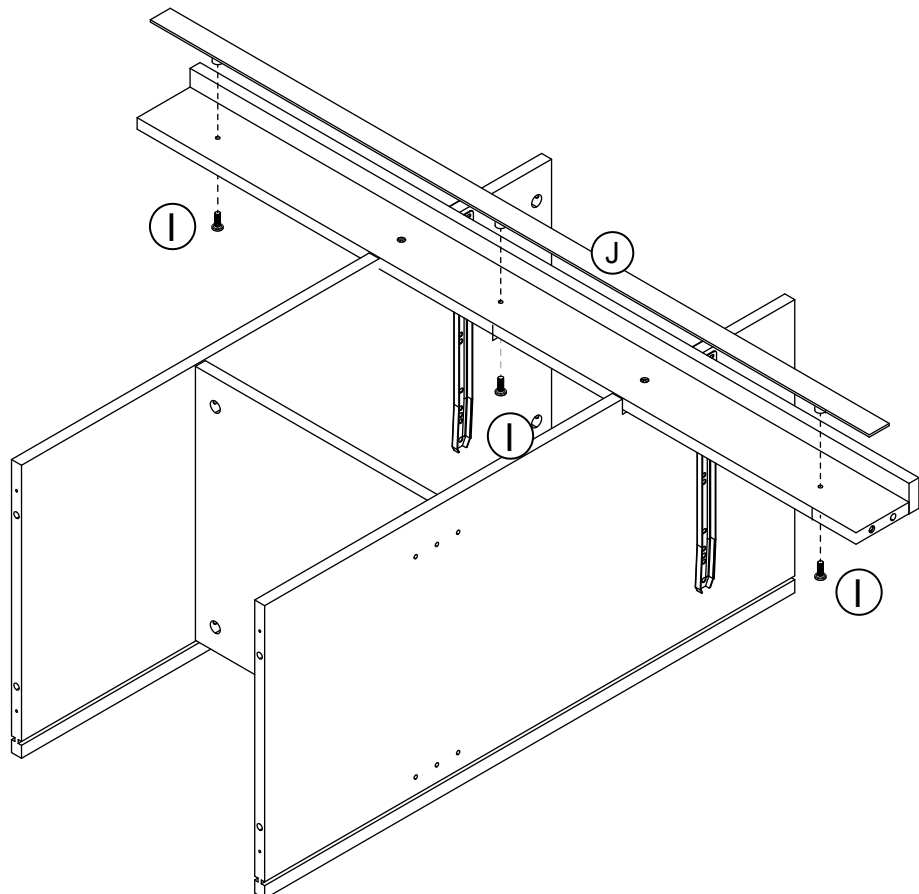


D

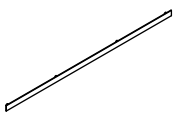


3.5*30mm Screw x 2

Step 6



J



Iron bar x 1

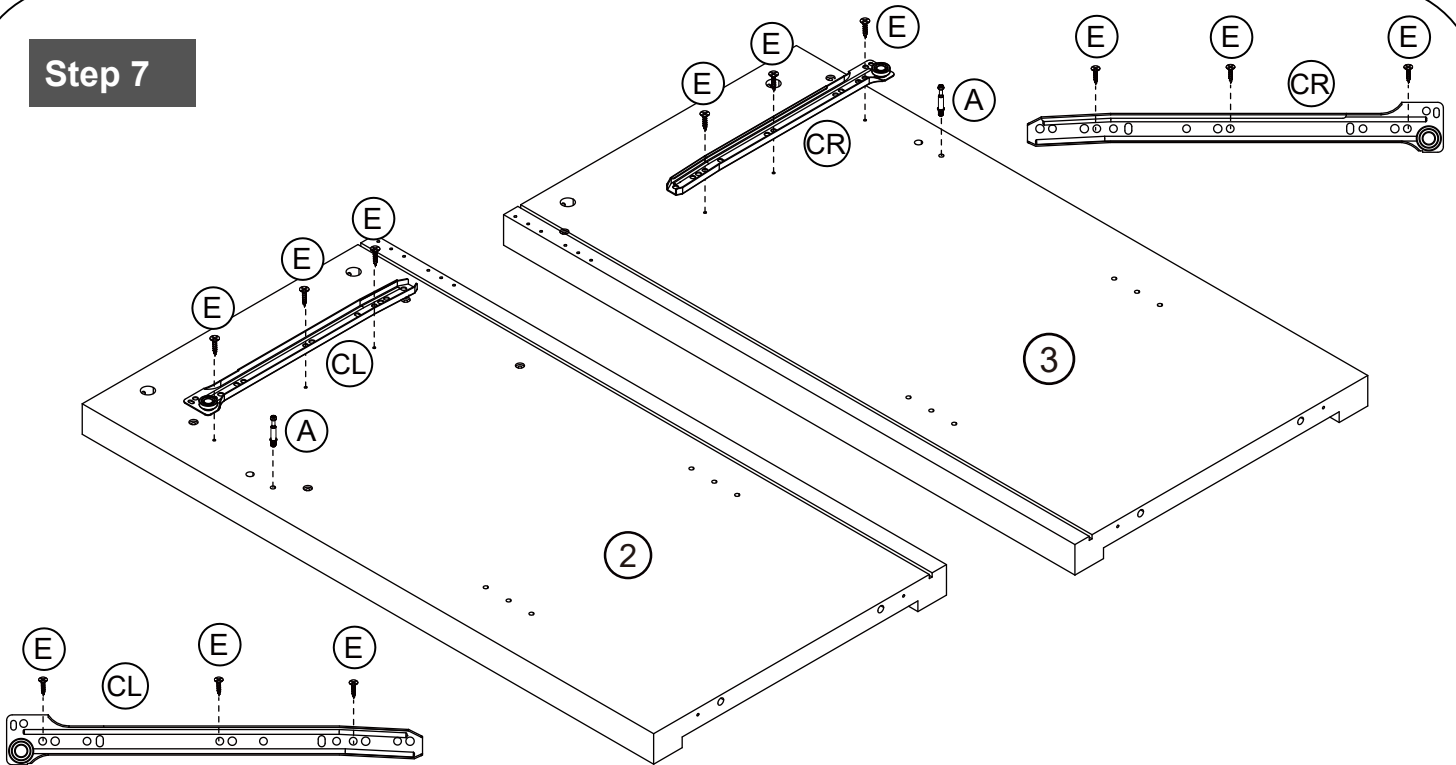
I

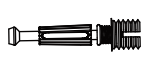
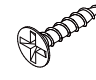

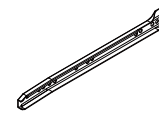


6*20mm Screw x 3

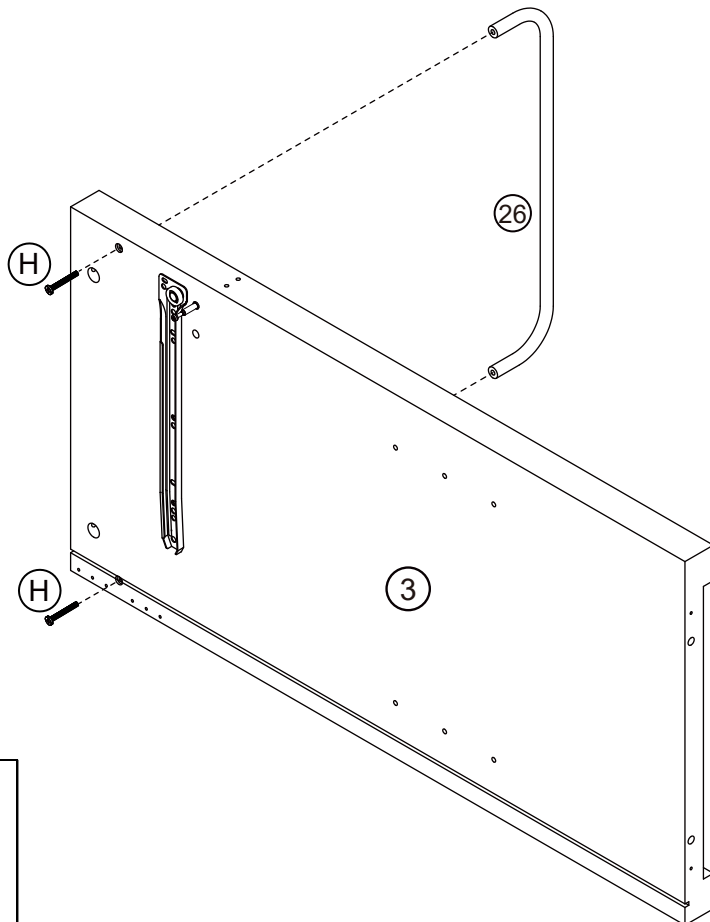
Assembly Instructions

Step 7



<p>(A)</p>  <p>Cam Bolt x 2</p>	<p>(E)</p>  <p>3*12mm Screw x 6</p>	<p>(CL)</p>  <p>Runner 300mm x 1</p>	<p>(CR)</p>  <p>Runner 300mm x 1</p>
--	--	--	---

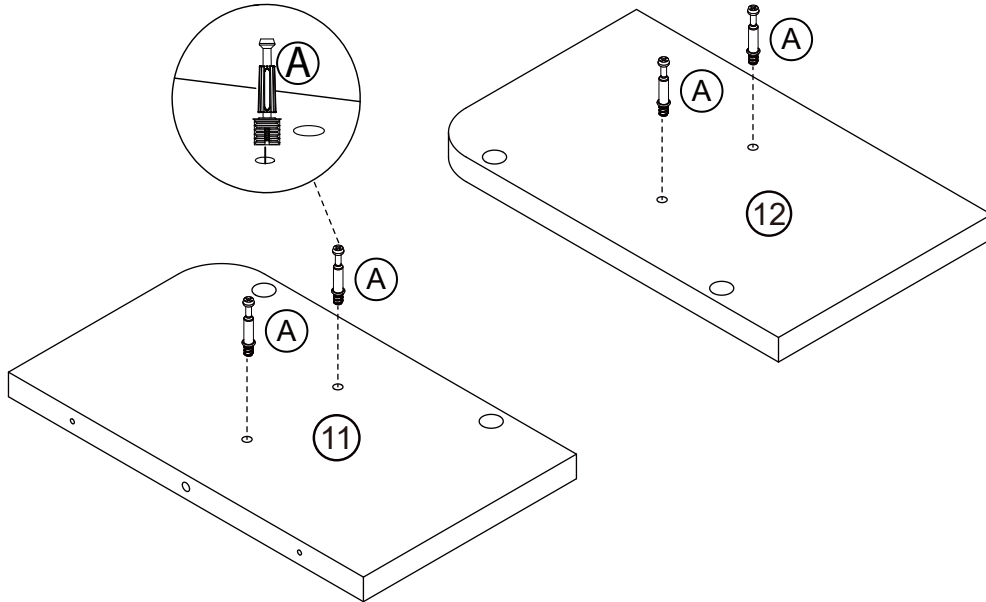
Step 8



<p>(H)</p>  <p>6*50mm Screw x 2</p>
--

Assembly Instructions

Step 9

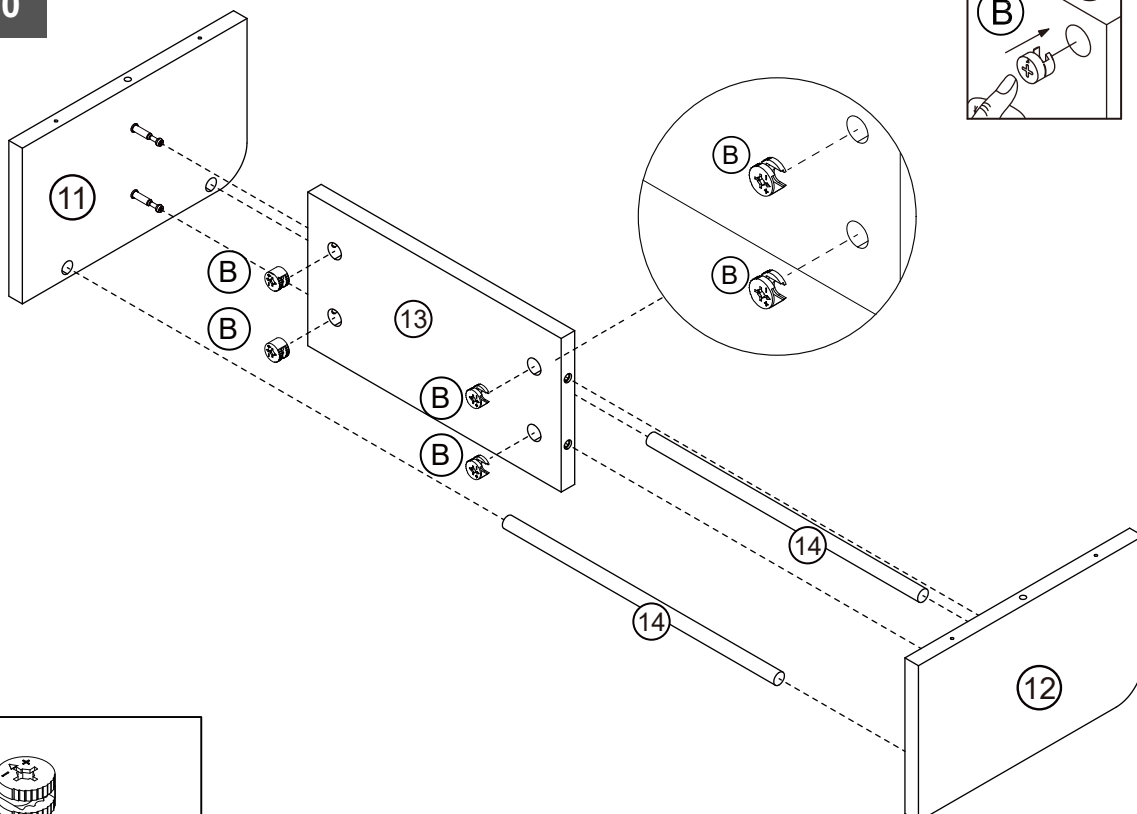


(A)



Cam Bolt x 4

Step 10



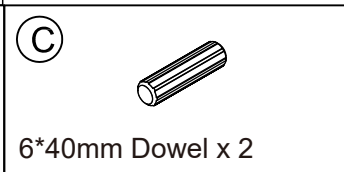
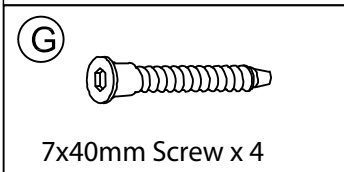
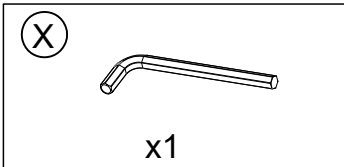
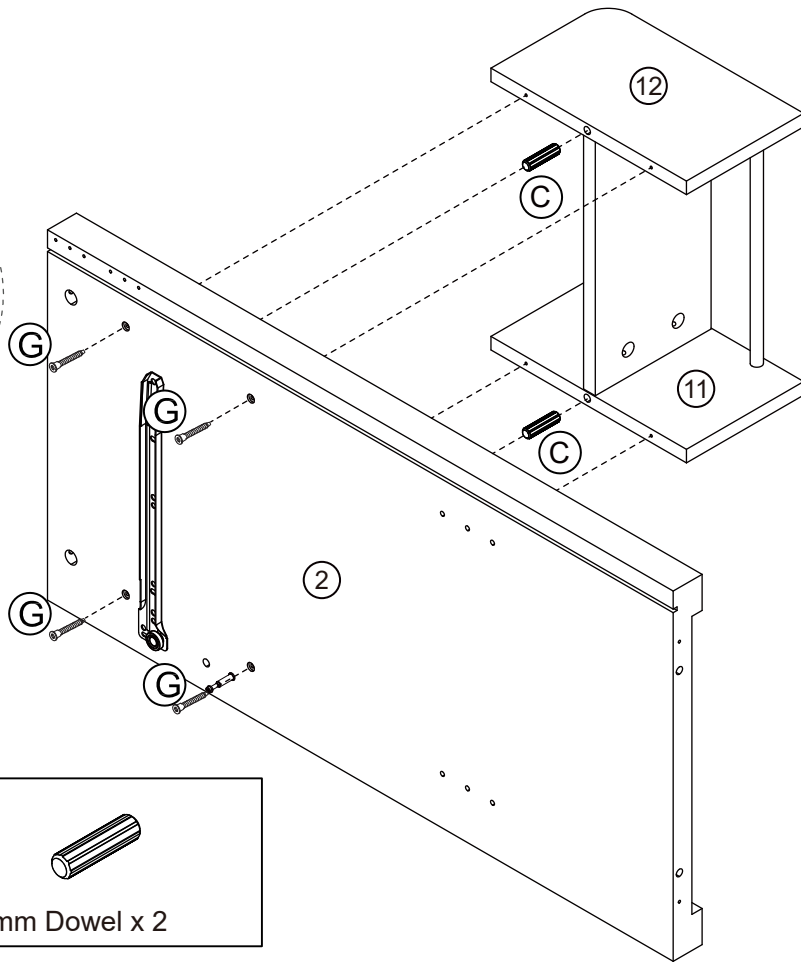
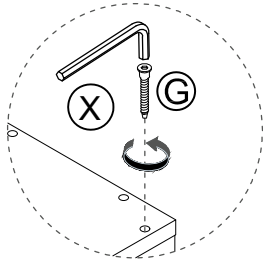
(B)



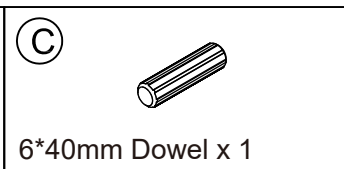
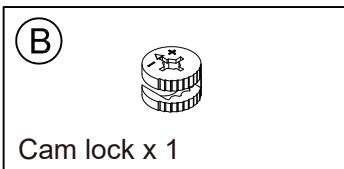
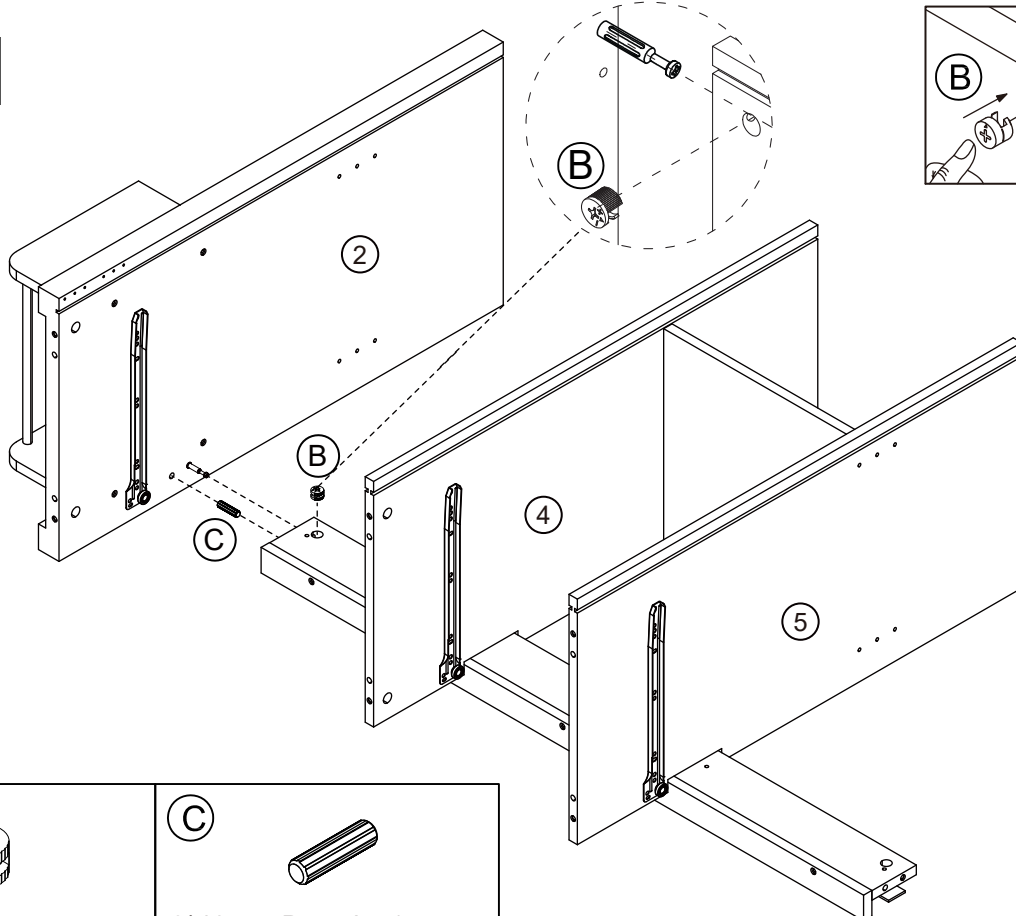
Cam lock x 4

Assembly Instructions

Step 11

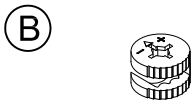
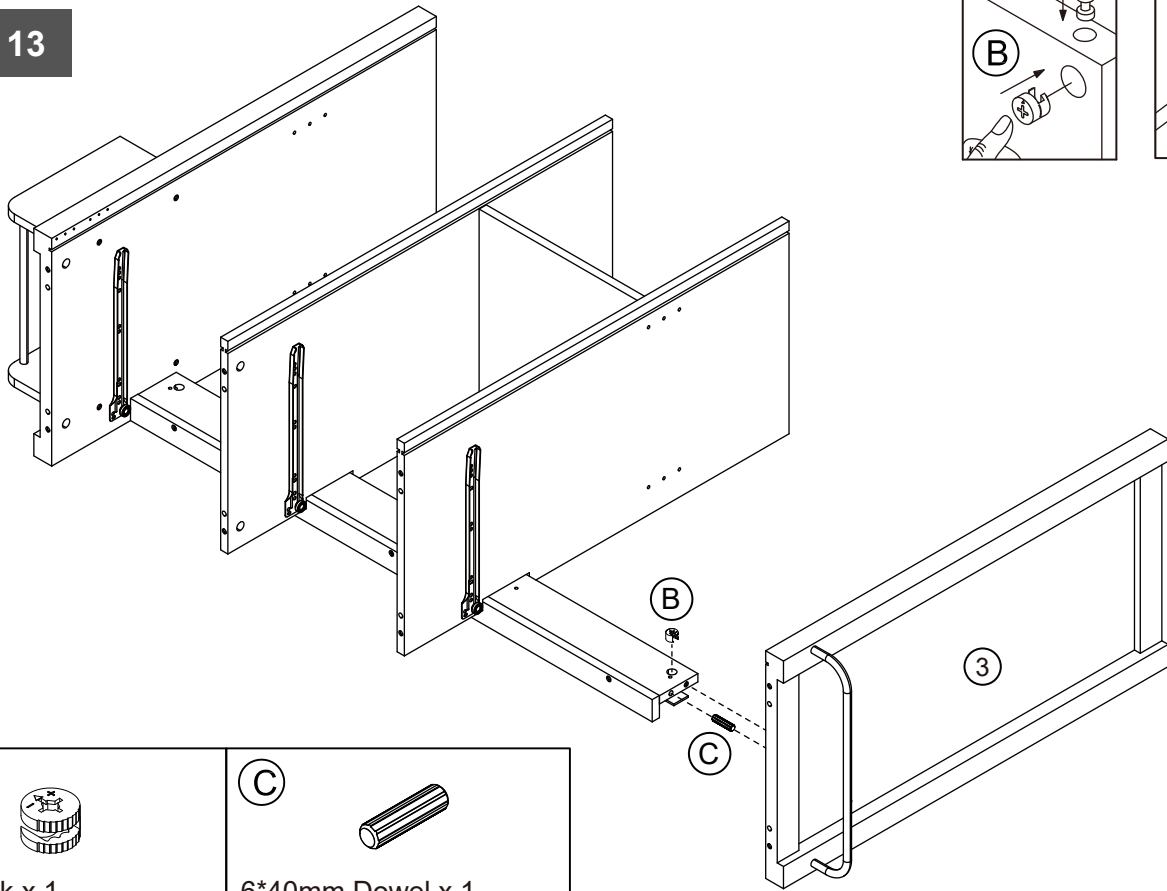


Step 12

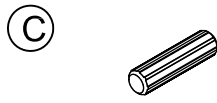


Assembly Instructions

Step 13

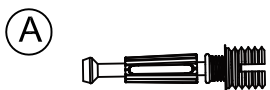
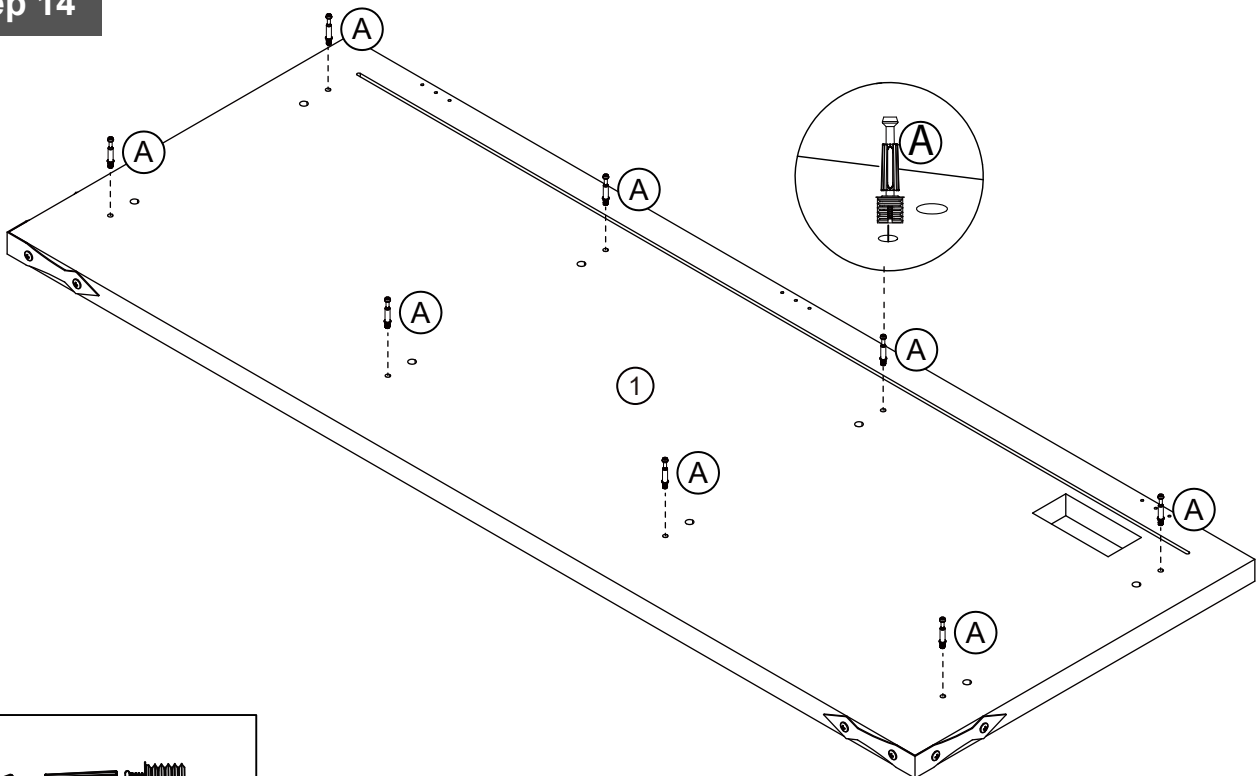


Cam lock x 1



6*40mm Dowel x 1

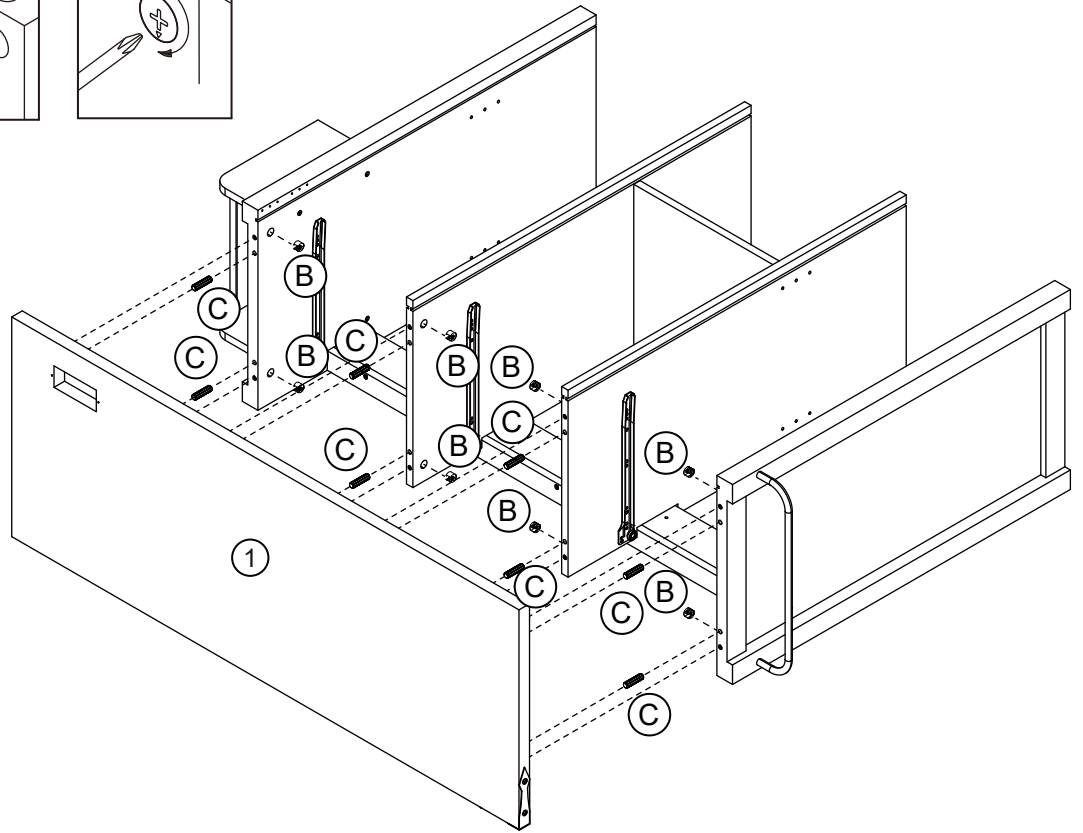
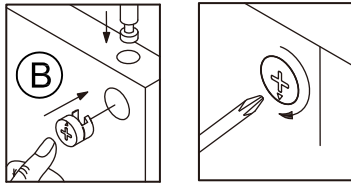
Step 14



Cam Bolt x 8

Assembly Instructions

Step 15



(B)



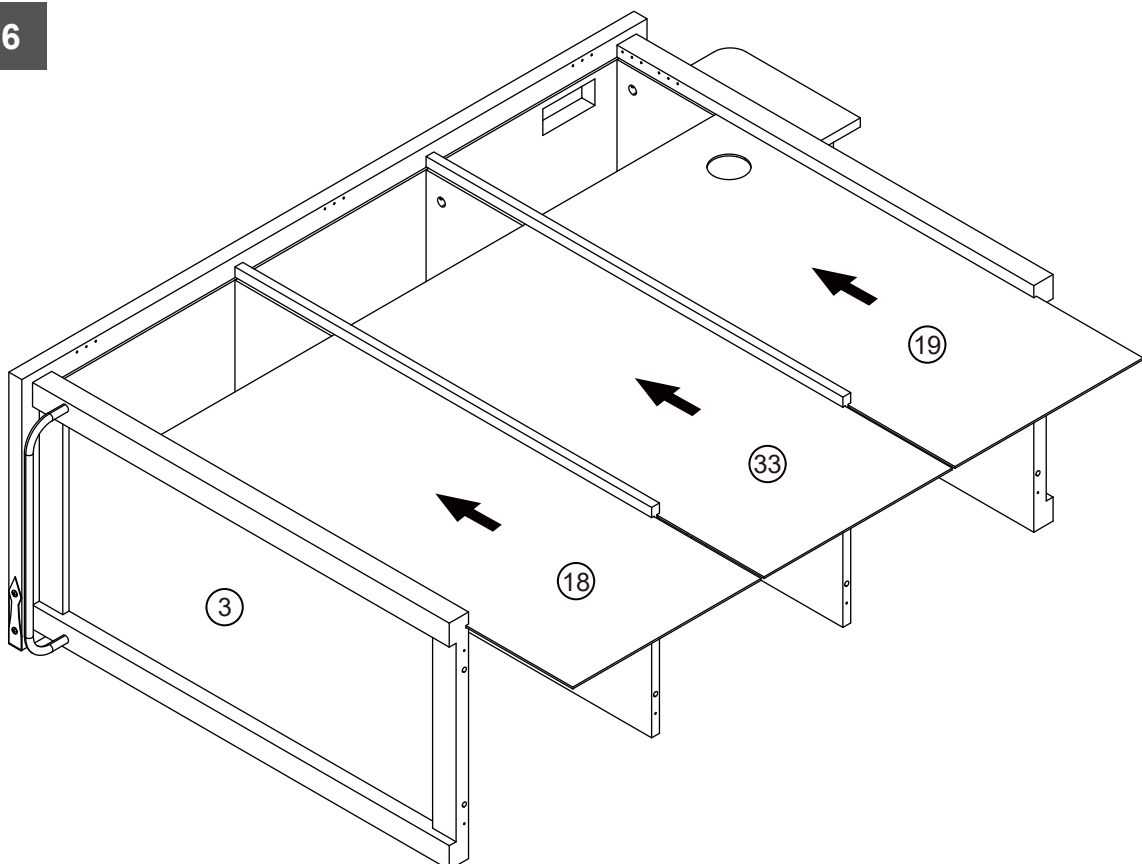
Cam lock x 8

(C)



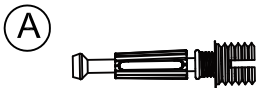
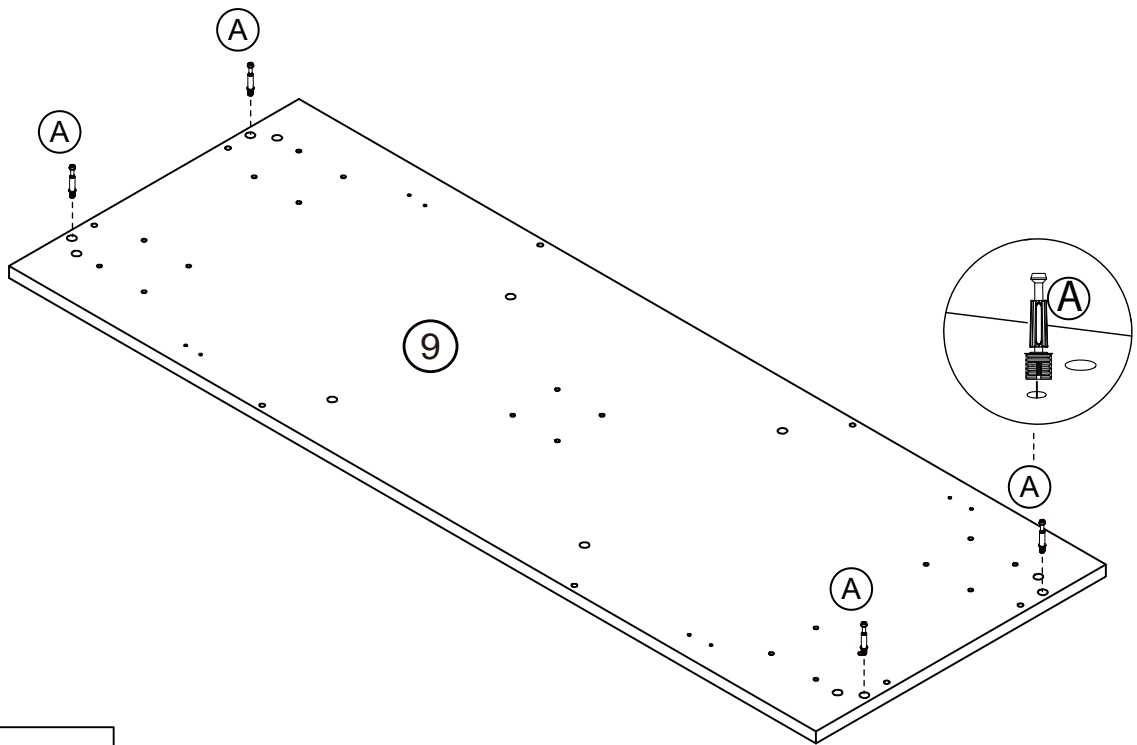
6*40mm Dowel x 8

Step 16



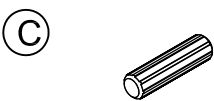
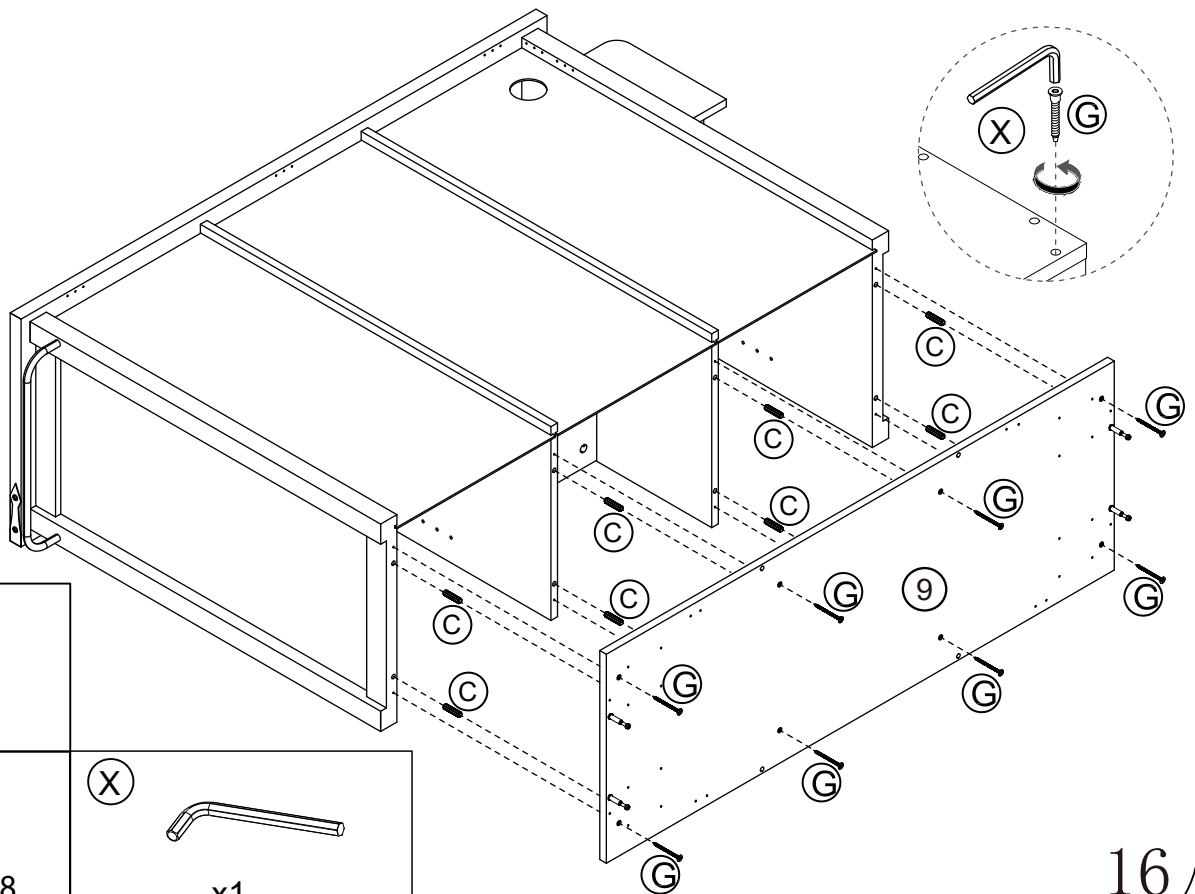
Assembly Instructions

Step 17

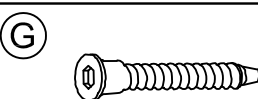


Cam Bolt x 4

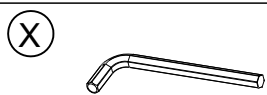
Step 18



6*40mm Dowel x 8



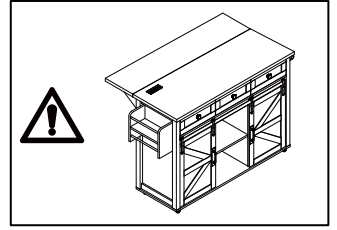
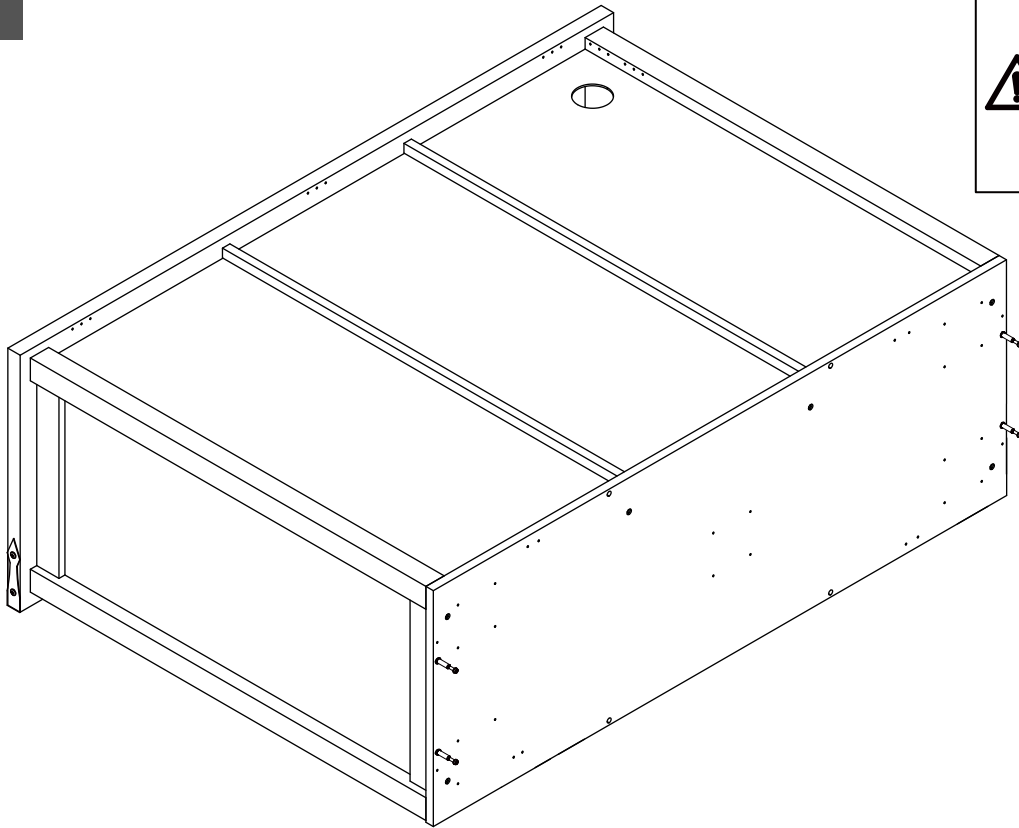
7x40mm Screw x 8



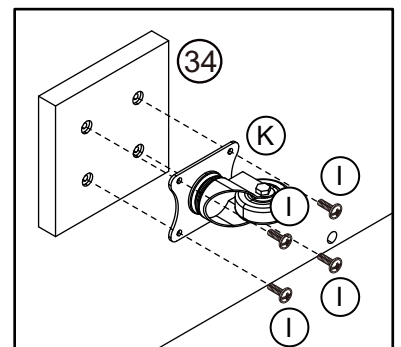
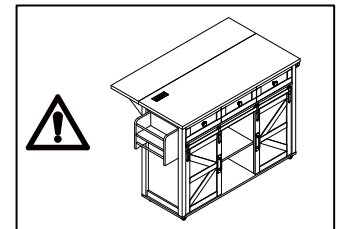
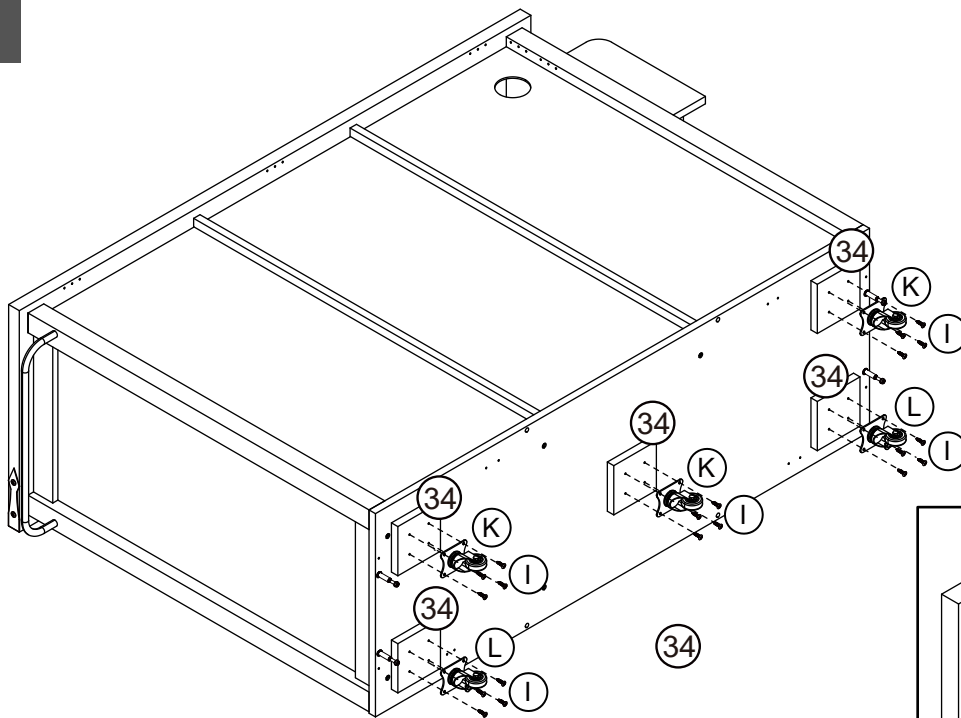
x1

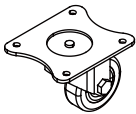
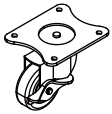
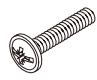
Assembly Instructions

Step 19



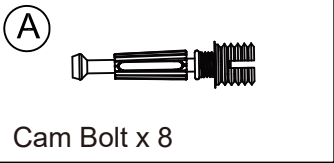
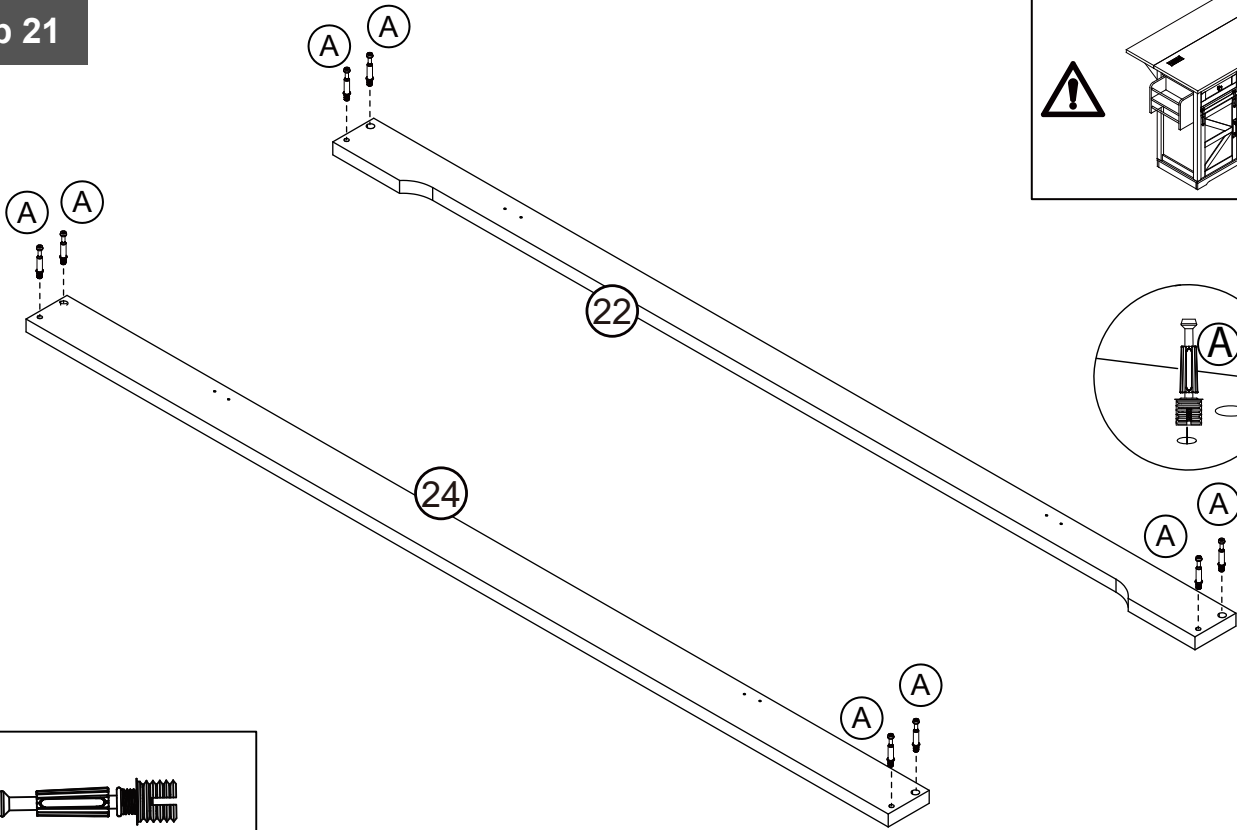
Step 20



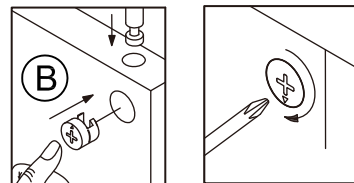
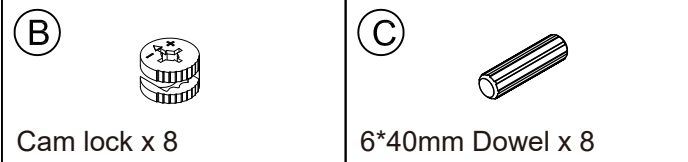
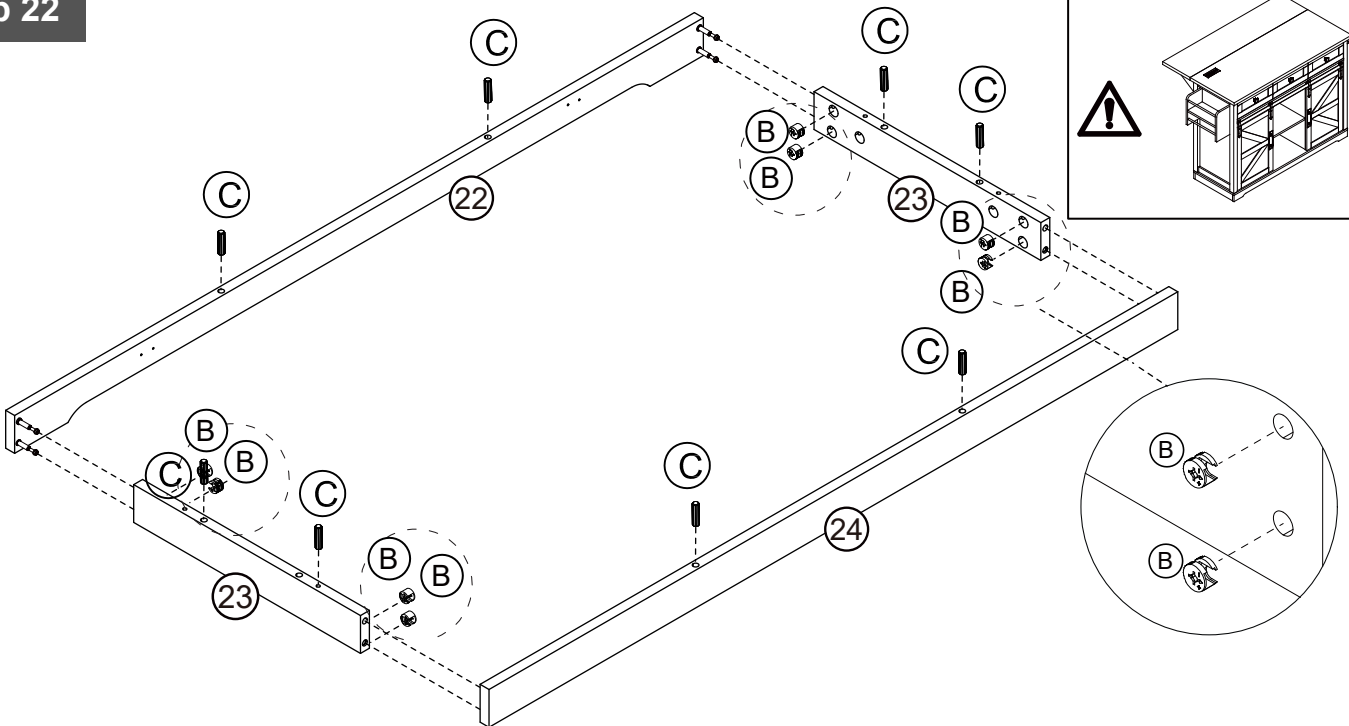
 Caster x 3	 Locking caster x 2	 6*25mm Screw x 20
---	---	--

Assembly Instructions

Step 21

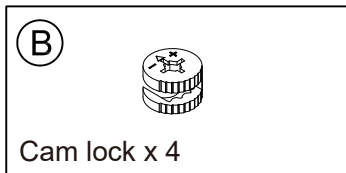
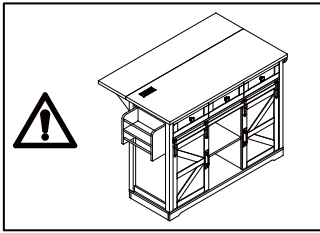
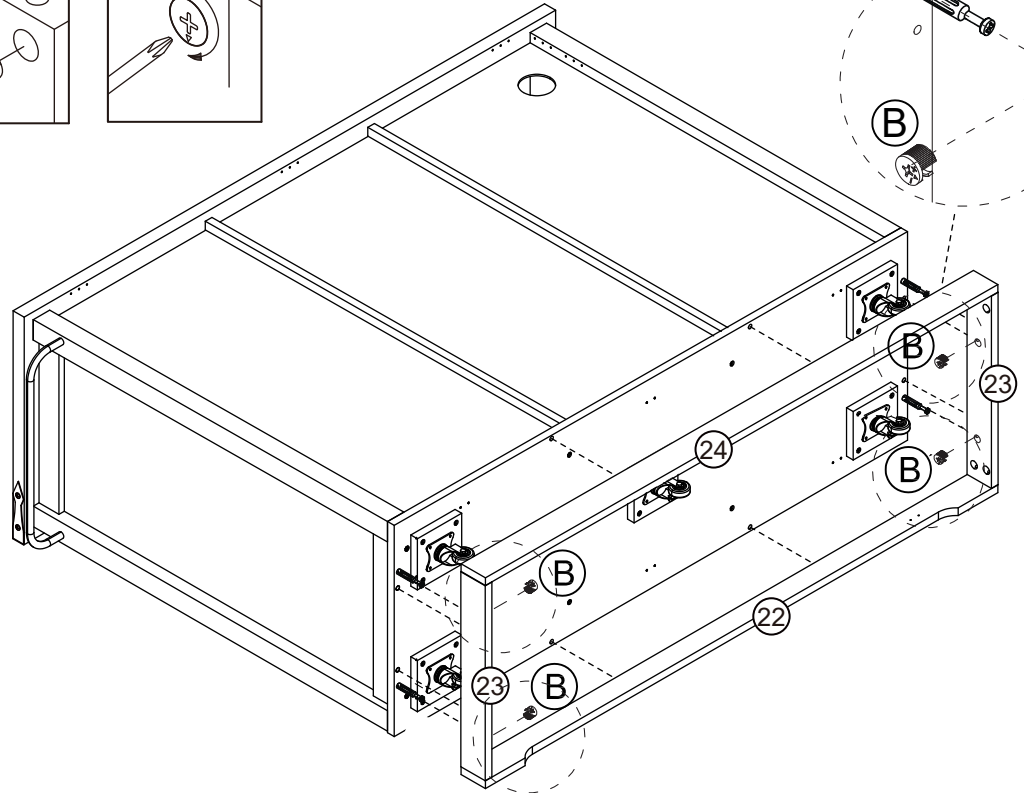
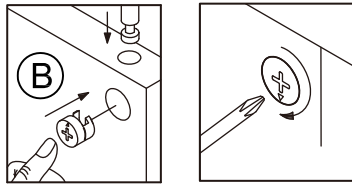


Step 22

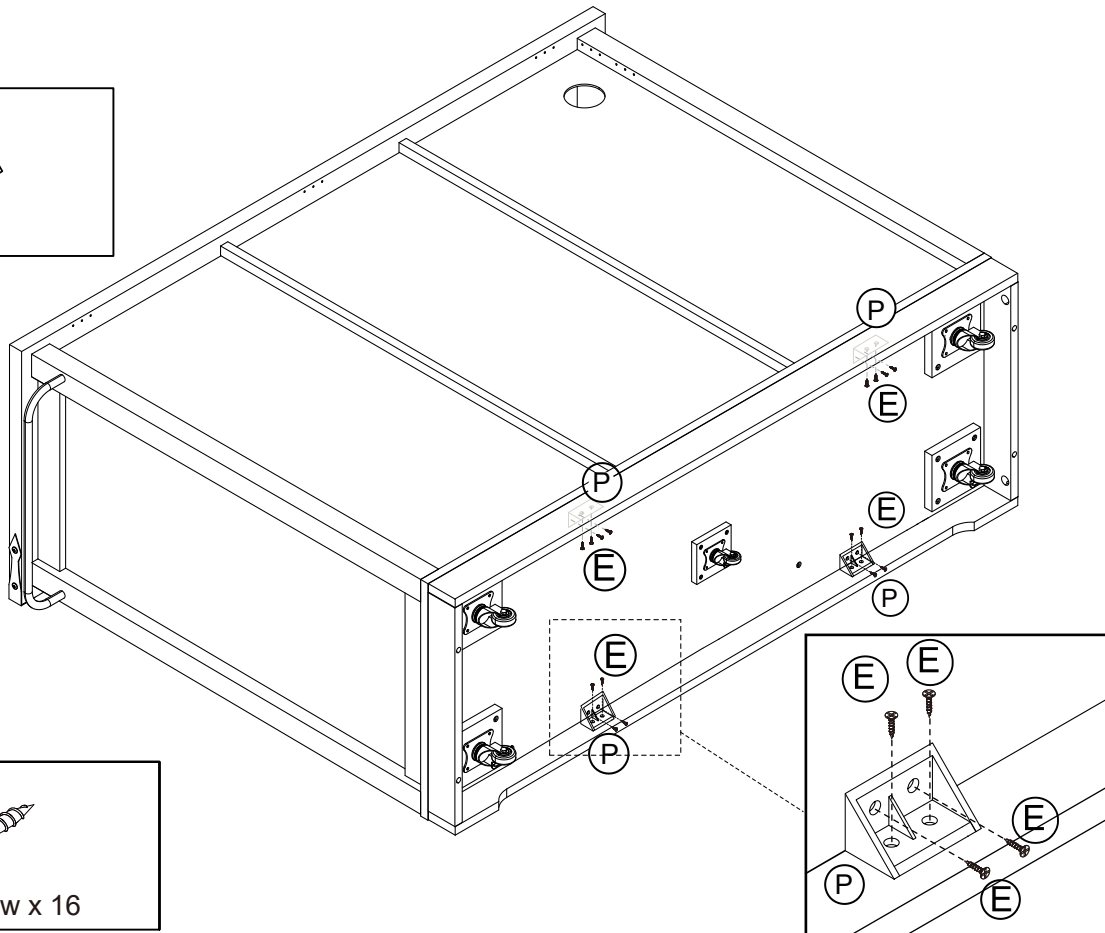
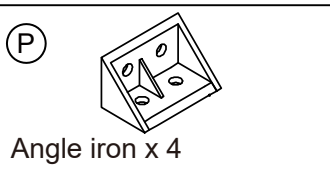


Assembly Instructions

Step 23

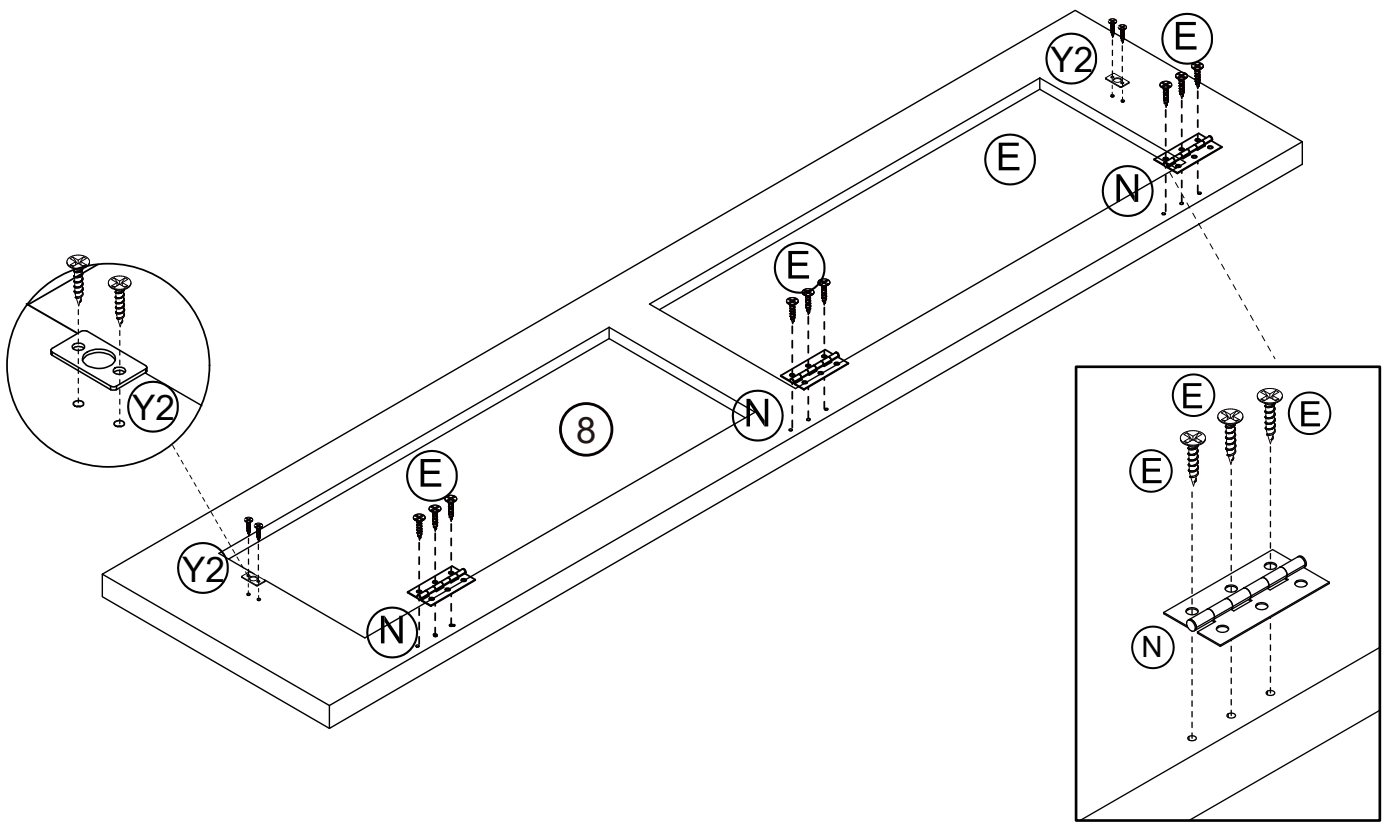


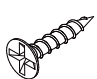
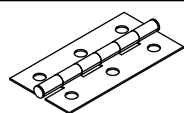
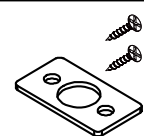
Step 24



Assembly Instructions

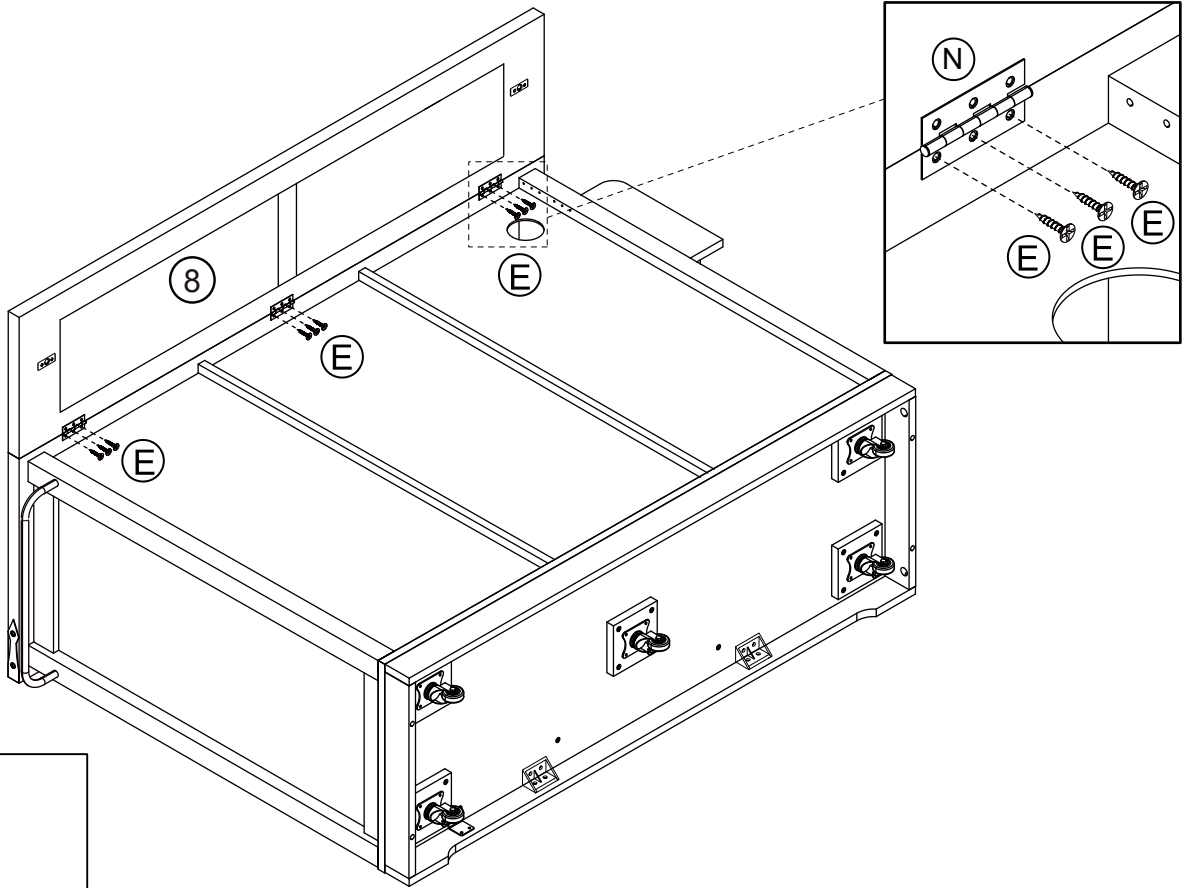
Step 25



<p>(E)</p>  <p>3*12mm Screw x 9</p>	<p>(N)</p>  <p>hinge x 3</p>	<p>(Y2)</p>  <p>x 2</p>
--	---	---

Assembly Instructions

Step 26

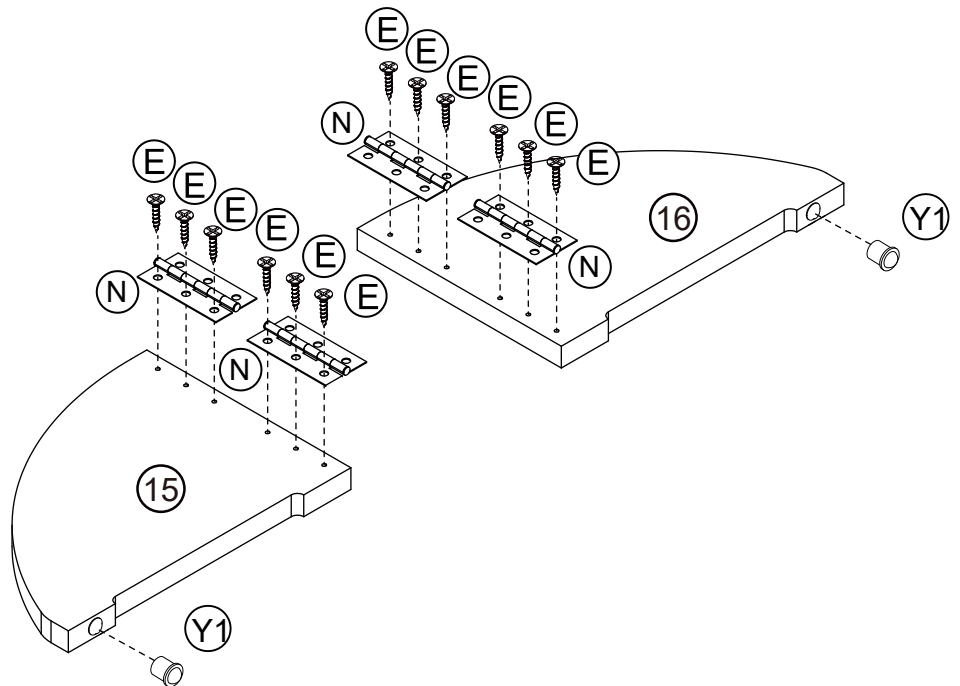


E



3*12mm Screw x 9

Step 27

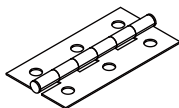


E



3.5*12mm Screw x 12

N



hinge x 4

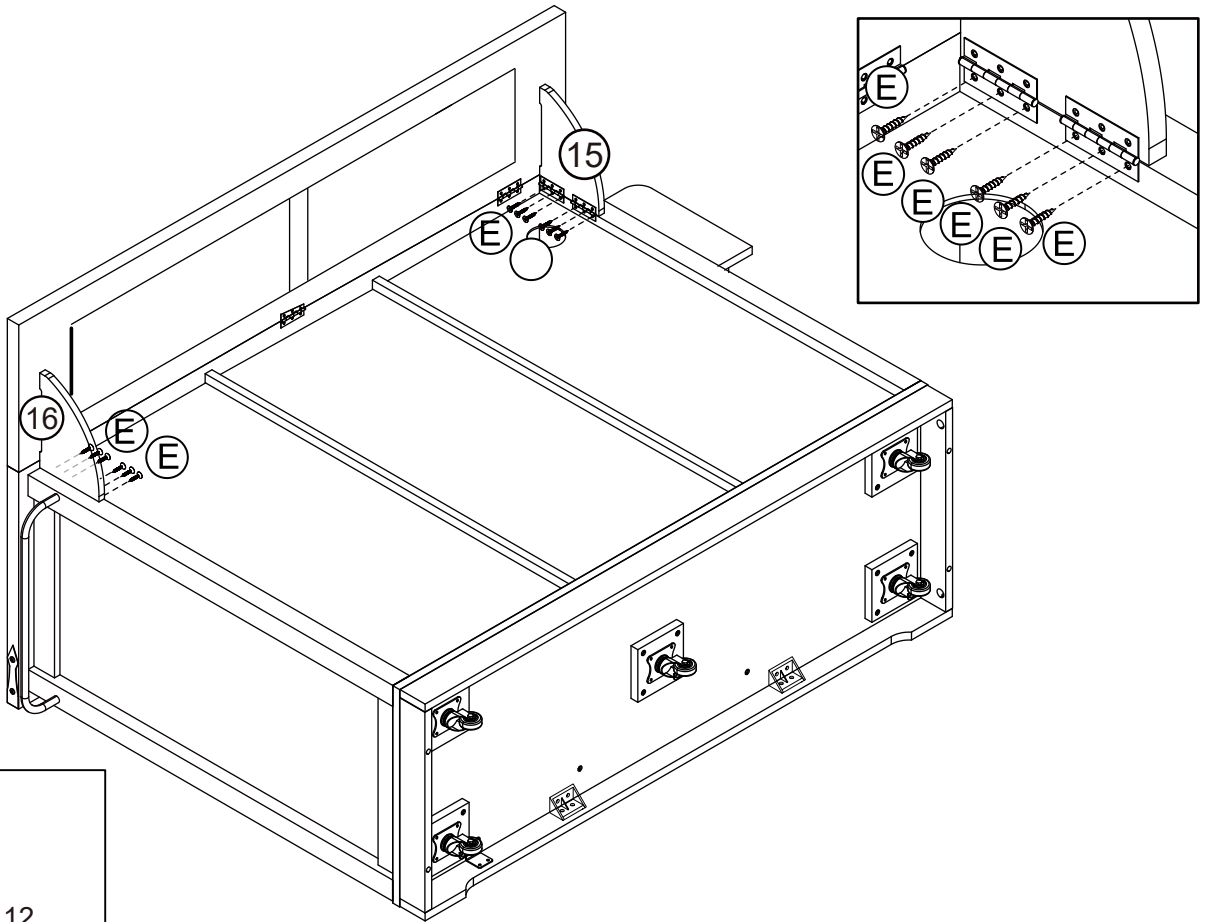
Y1



x 2

Assembly Instructions

Step 28

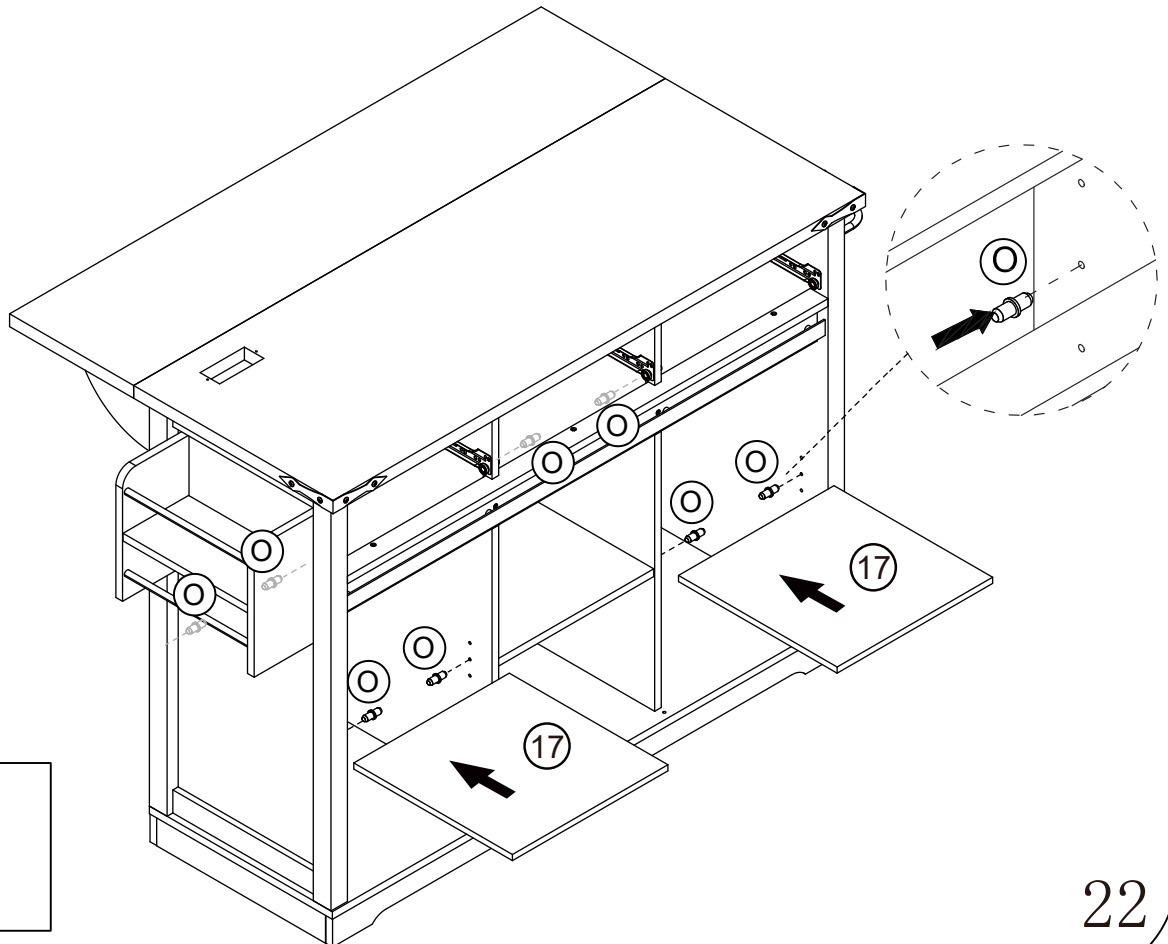


E

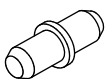


3*12mm Screw x 12

Step 29



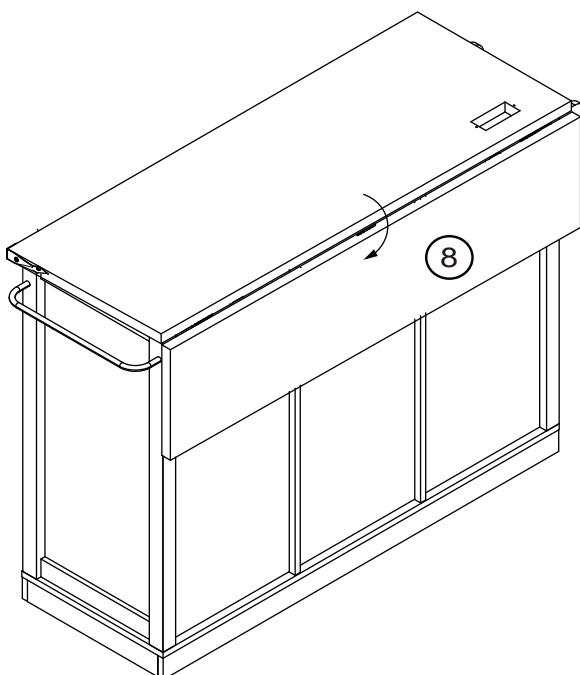
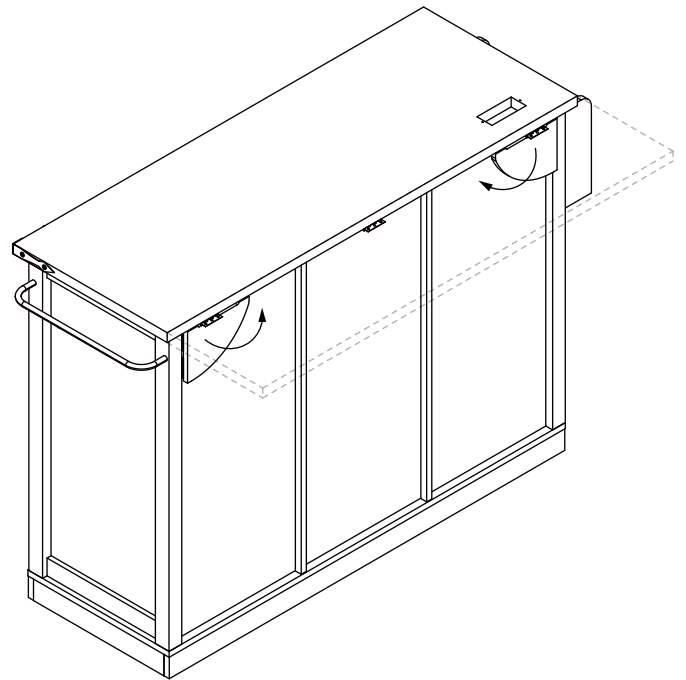
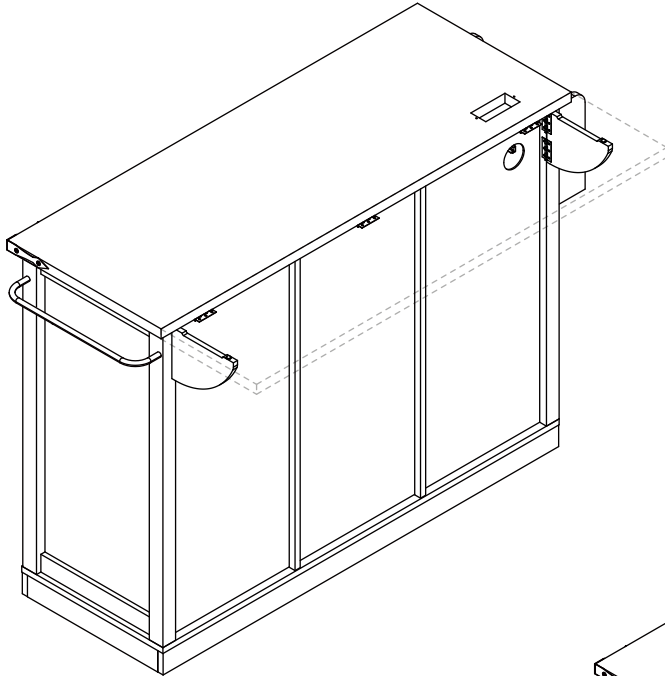
O



Pivot x 8

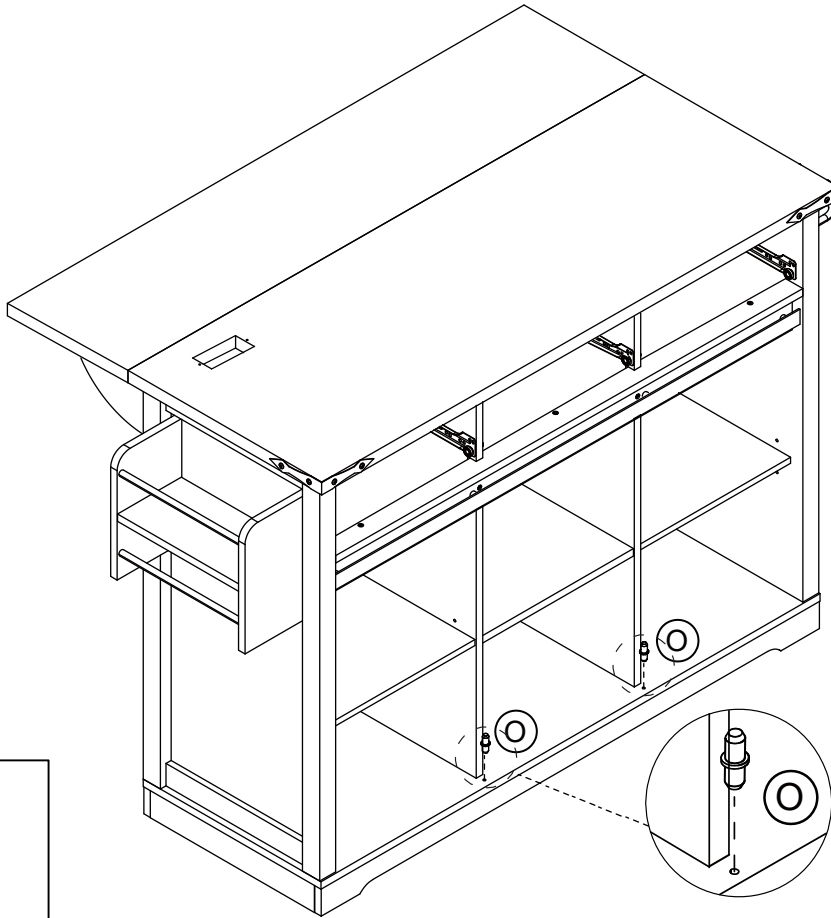
Assembly Instructions

Step 30

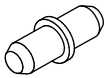


Assembly Instructions

Step 31

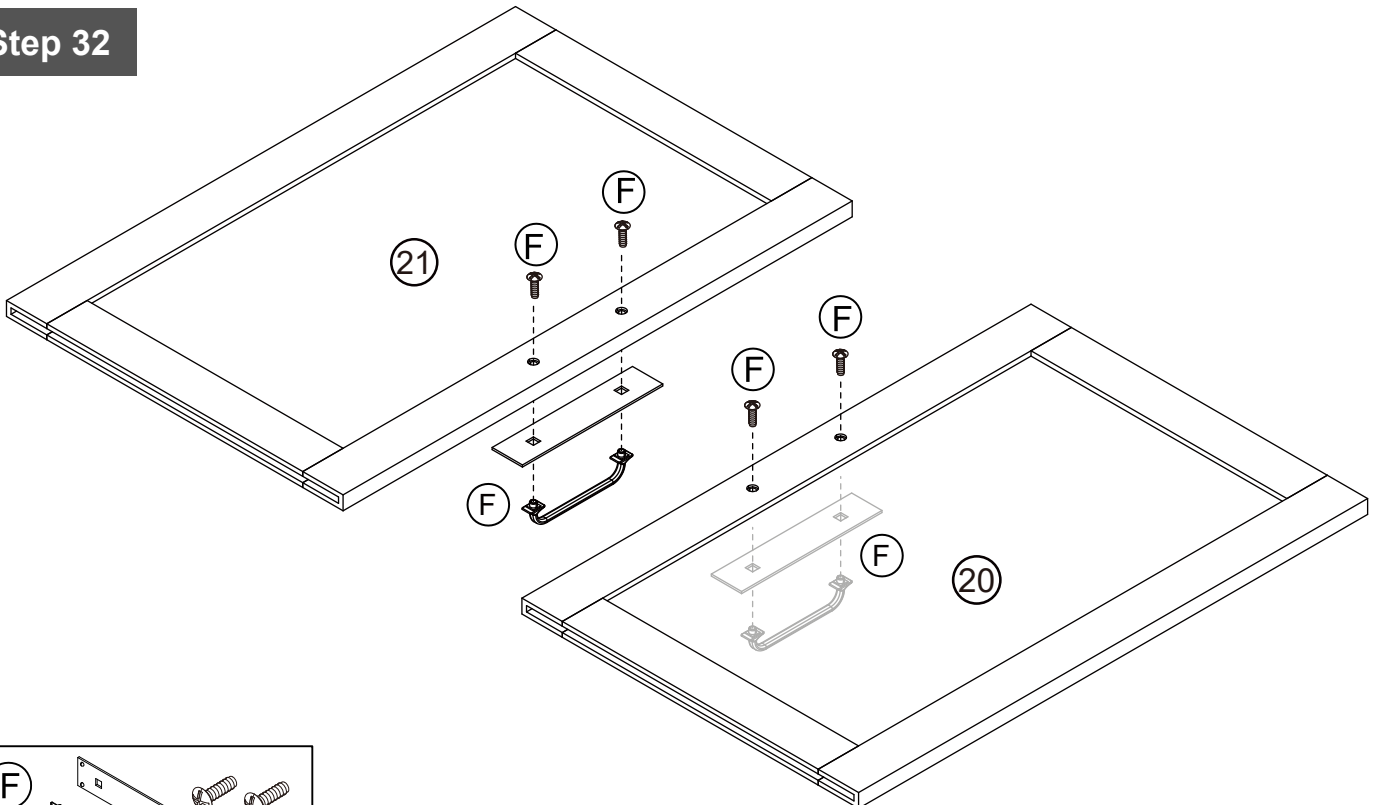


O

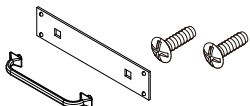


Pivot x 2

Step 32



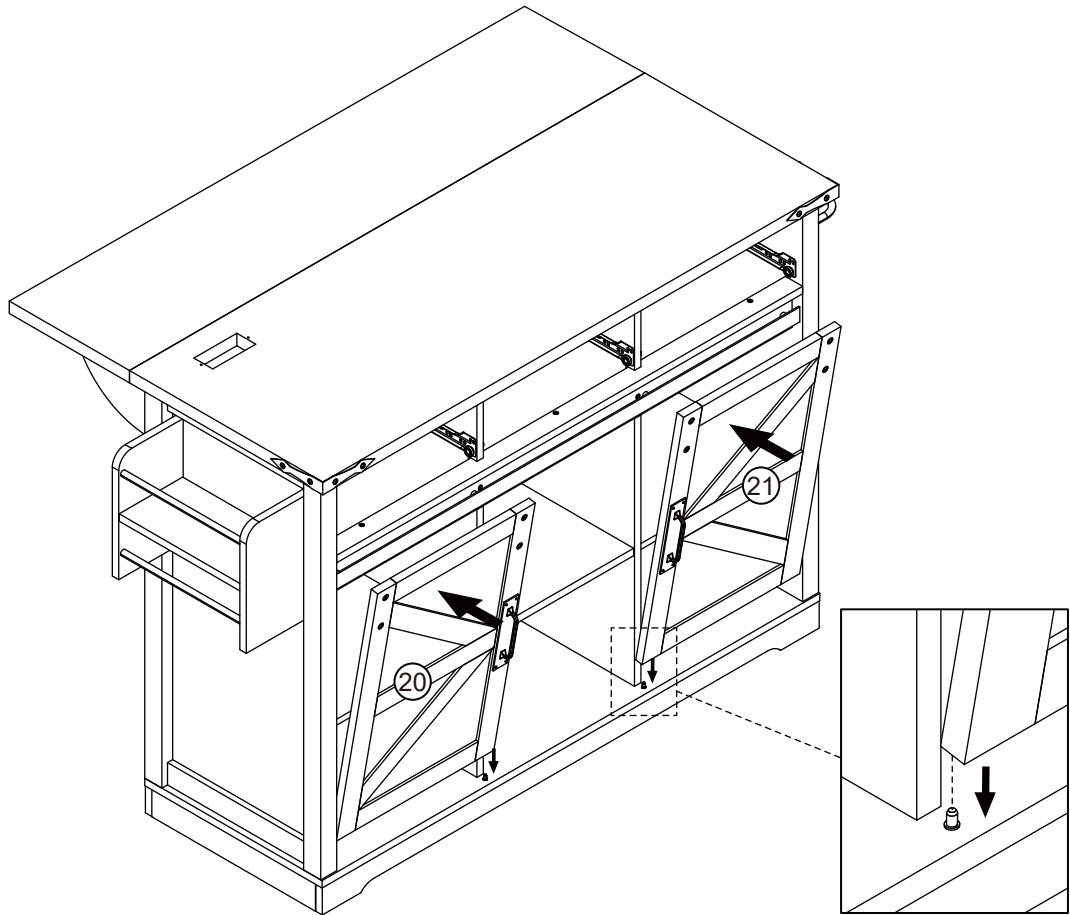
F



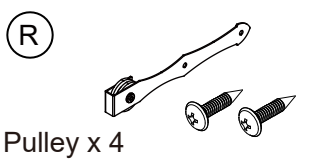
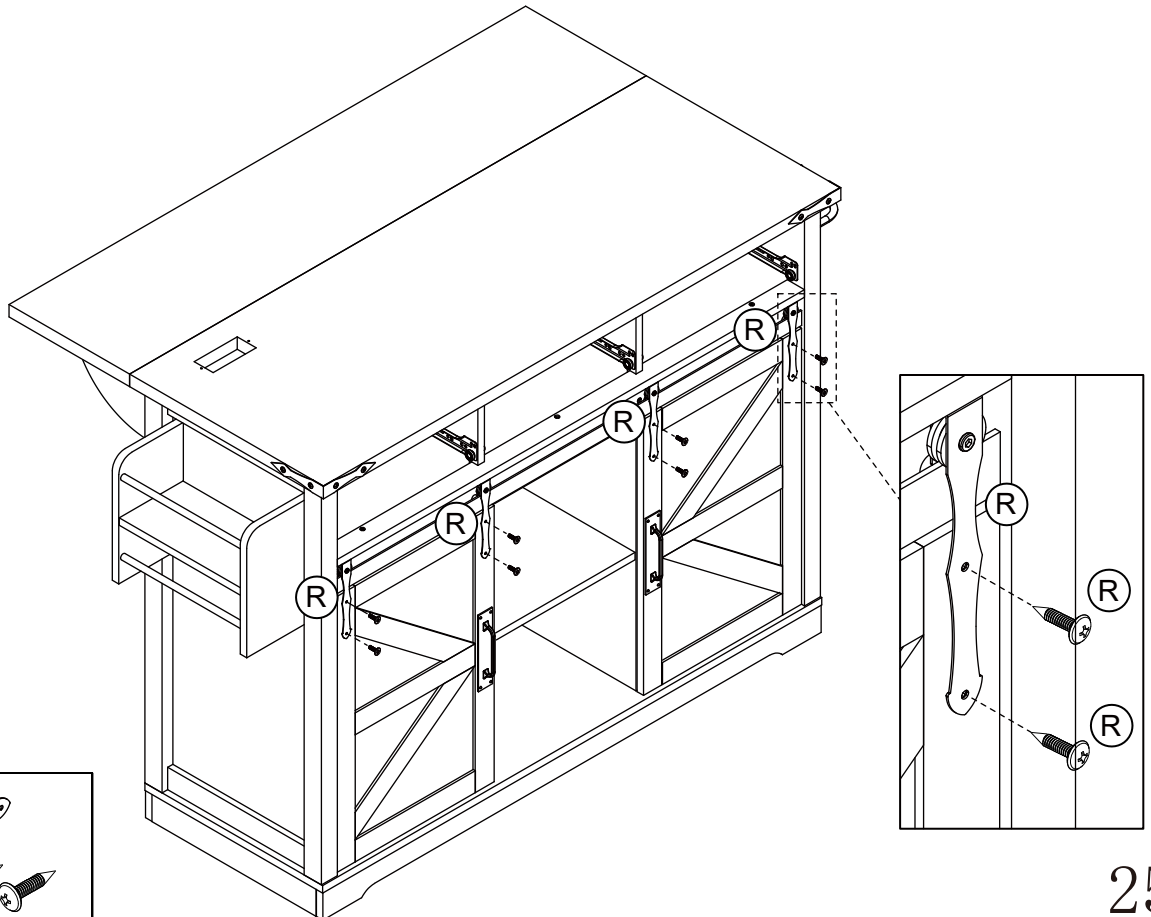
Hold hands +
4*22mm Screw x 2

Assembly Instructions

Step 33

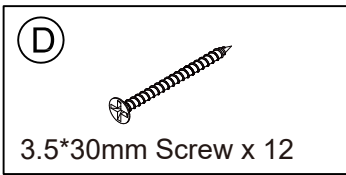
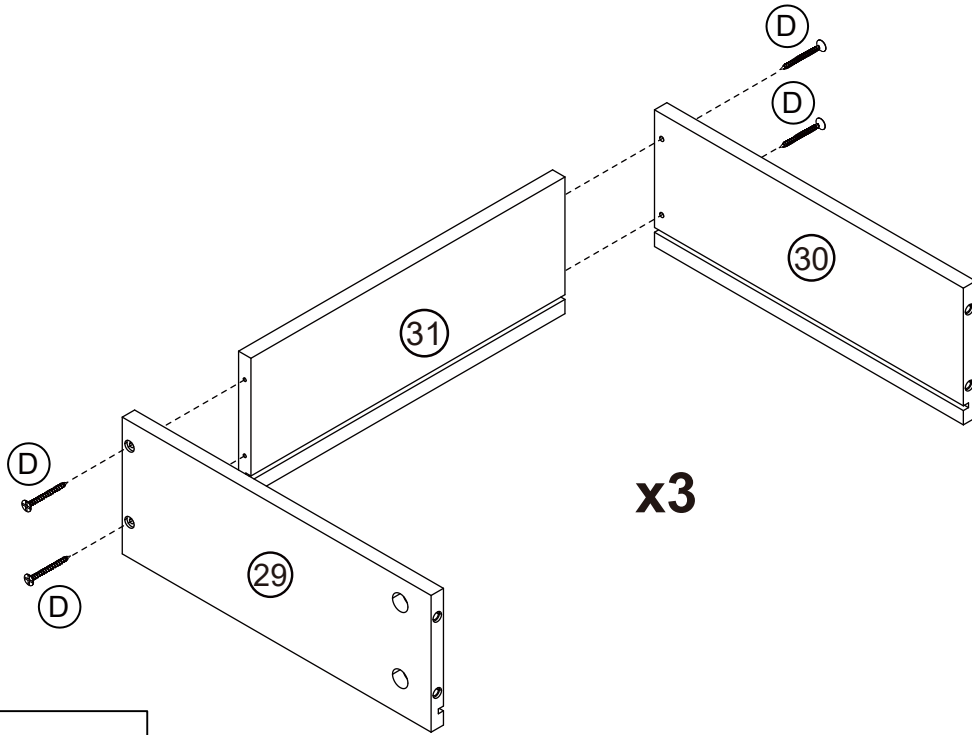


Step 34

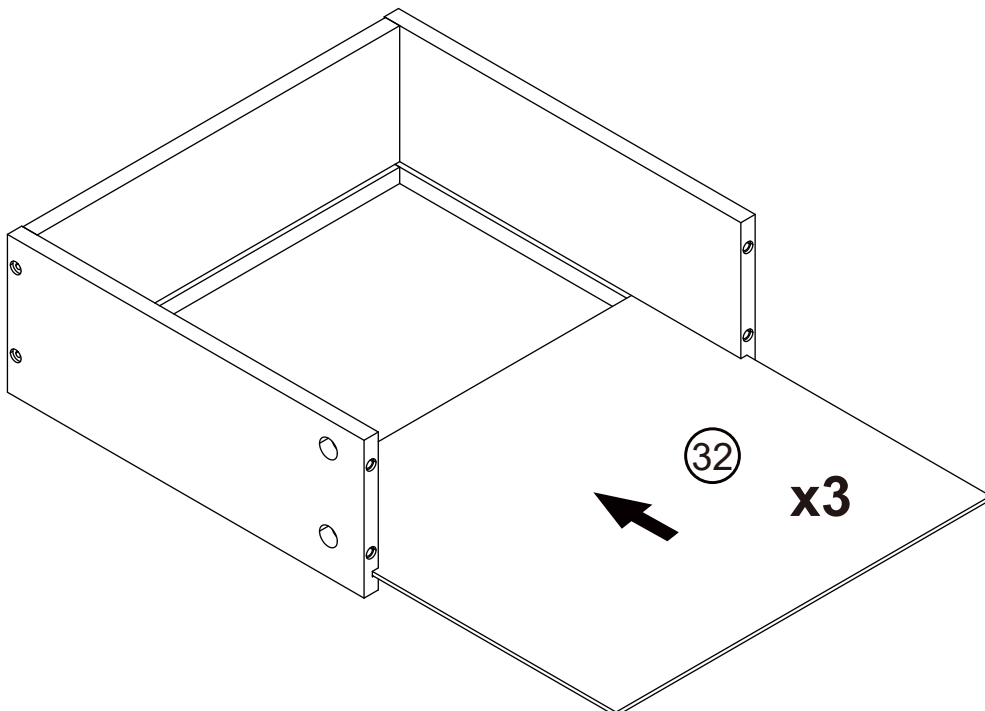


Assembly Instructions

Step 35

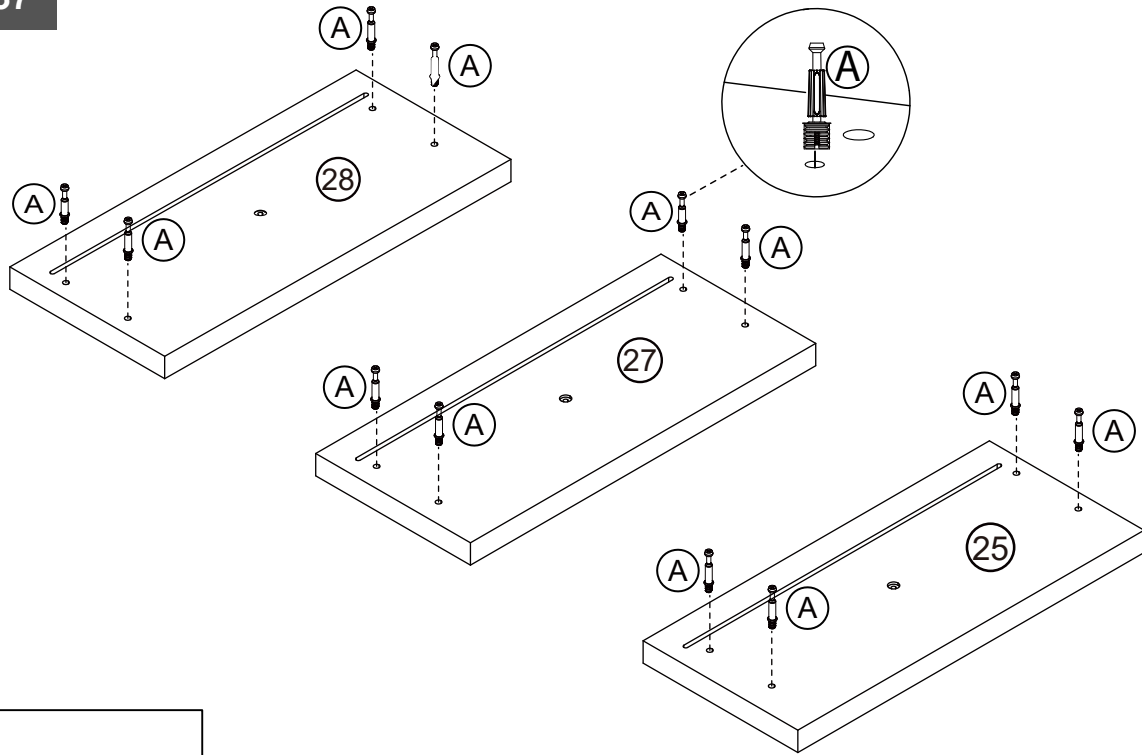


Step 36



Assembly Instructions

Step 37

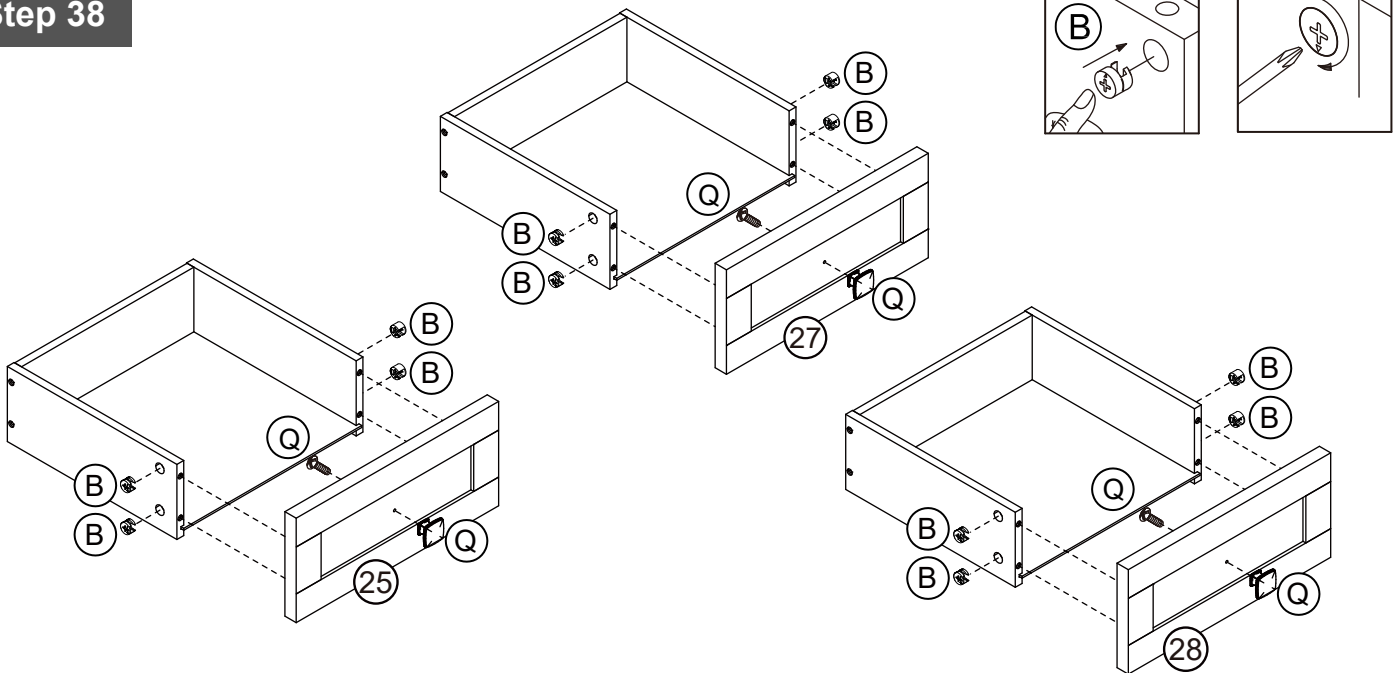


(A)



Cam Bolt x 12

Step 38

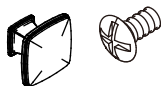


(B)



Cam lock x 12

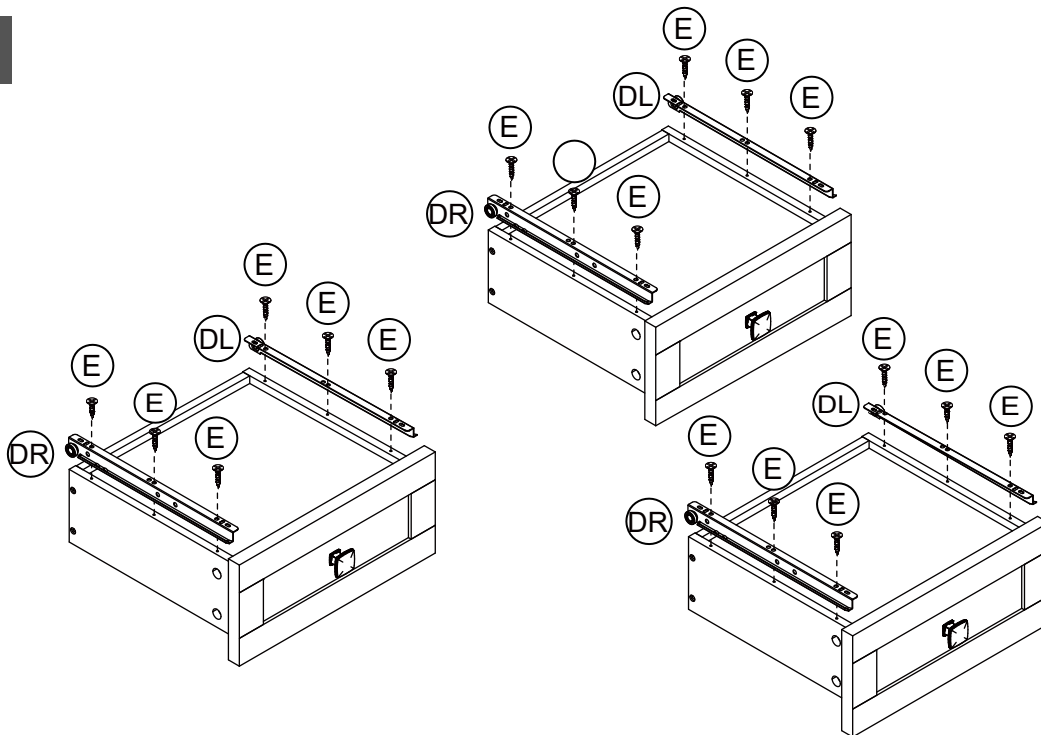
(Q)



Hold hands x 3
4*16mm Screw x 3

Assembly Instructions

Step 39

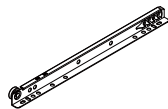


(E)



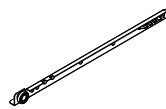
3*12mm Screw x 18

(DL)



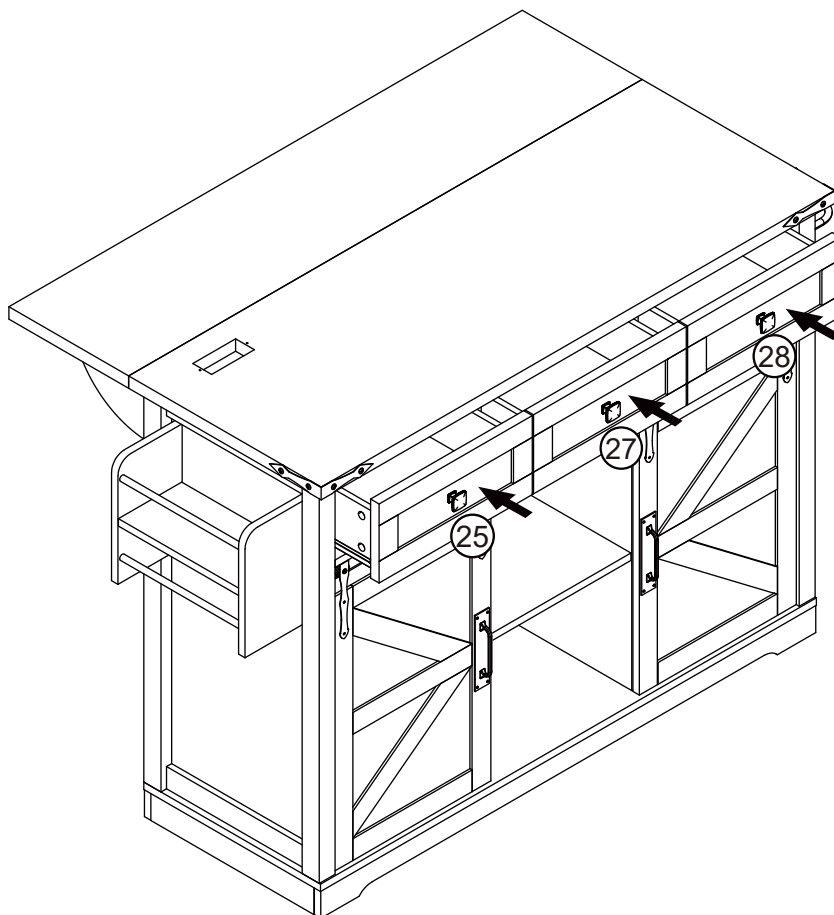
Runner 300mm x 3

(DR)



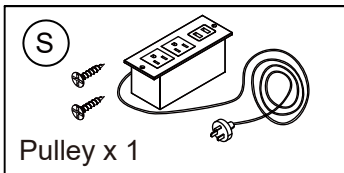
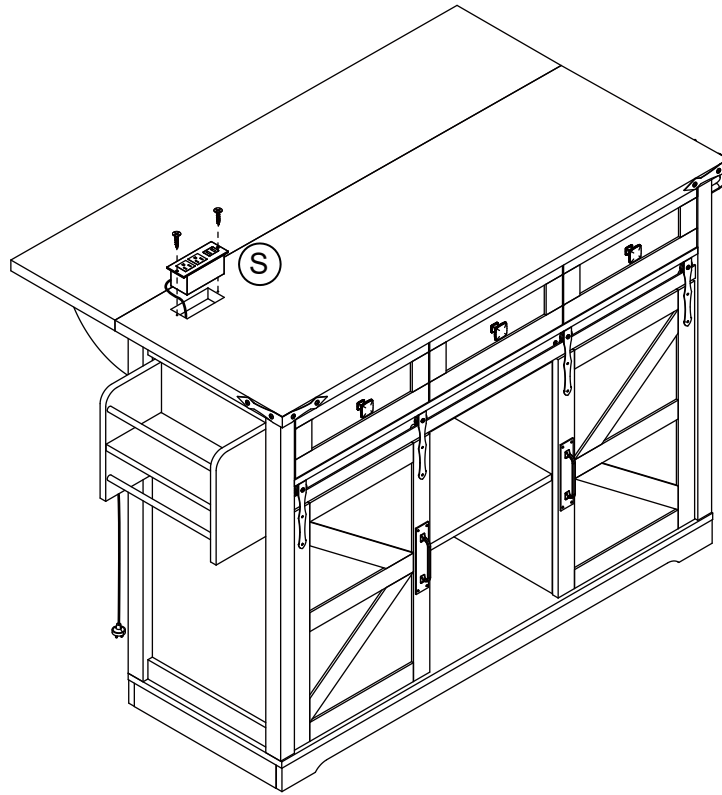
Runner 300mm x 3

Step 40

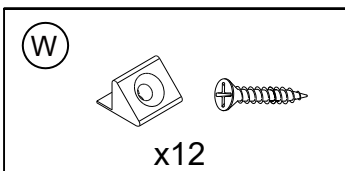
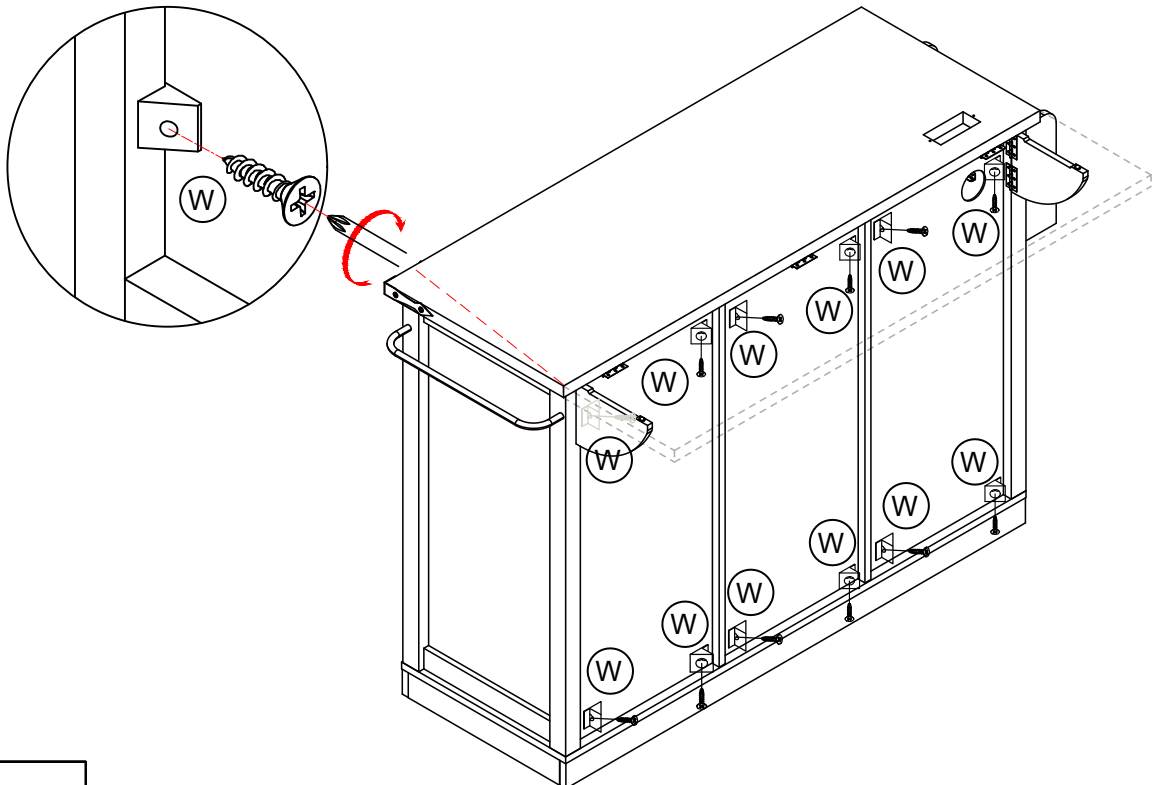


Assembly Instructions

Step 41



Step 42



Assembly Instructions

Step 43

