


ASSEMBLY INSTRUCTIONS

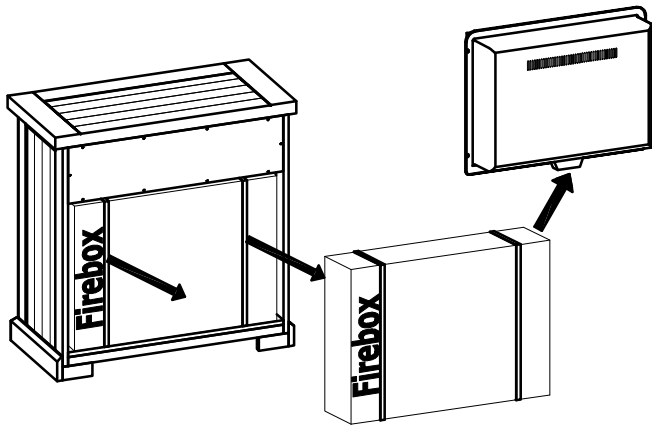
TELLURIDE DRIFTWOOD 32" FIREPLACE DRIFTWOOD

Thank you for purchasing this quality product. Be sure to check all packing material carefully for small parts that may have come loose inside the carton during shipment.

| KEY COMPONENTS | | | | HARDWARE KIT | | | |
|----------------|------|-------|------------------------|--|--|-------|-------|
| No. | Code | Q'ty | Description | No. | Description | | Q'ty |
| 1 | A | 3 Pcs | Drawer pull w/ screw | 6 |  Wood screws | M4x15 | 4 Pcs |
| 2 | B | 1 Pc | Drawer | This hardware bag is inside firebox carton. | | | |
| 3 | C | 2 Pcs | Extension drawer glide | | | | |
| 4 | D | 4 Pcs | Floor glide | | | | |
| 5 | E | 1 Kit | Anti-tip kit | | | | |

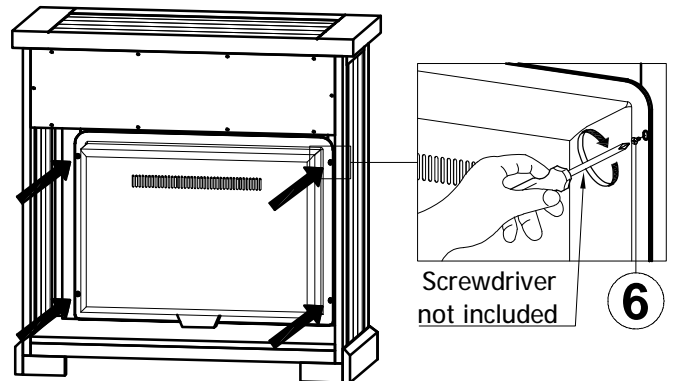
Step 1:

Carefully slide the Firebox insert carton out of the console from the back. Remove the Firebox insert from the carton and place on a clean, protected surface.



Step 2:

Insert the Firebox into the back of the cabinet. Use care not to scratch the wood. Check the alignment to make sure the Firebox is centered. Secure the Firebox by attaching the four screws to the console with a screwdriver.



Step 3:

Install the Anti-Tip Hardware to avoid the possibility of the furniture tipping and injury.

