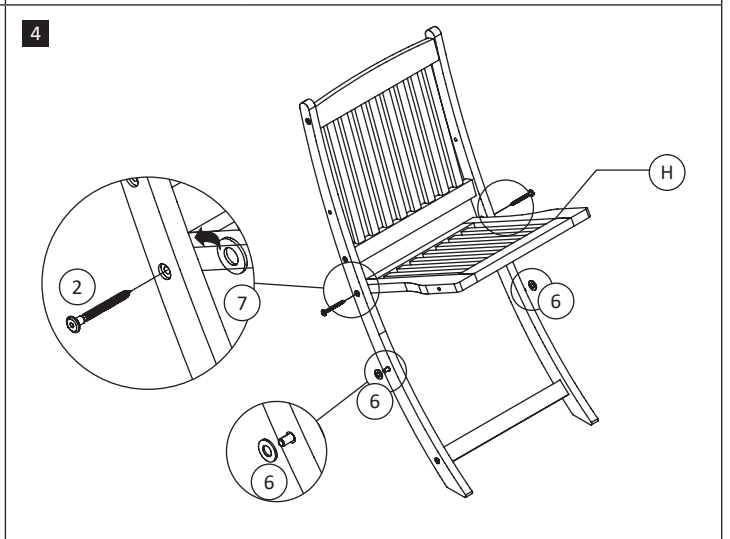
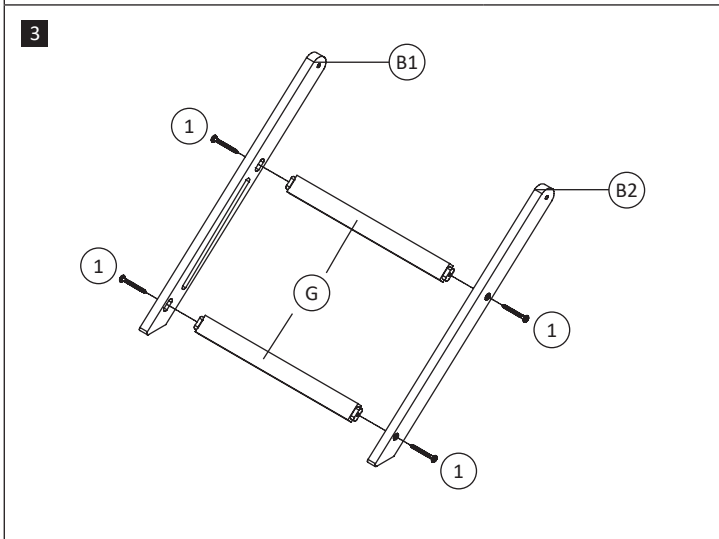
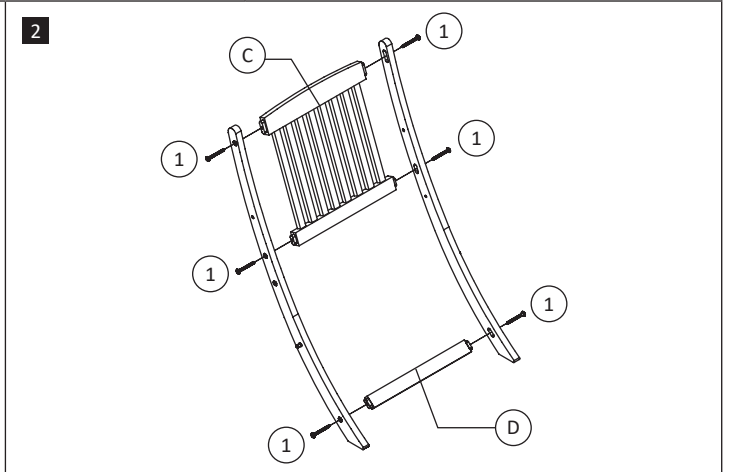
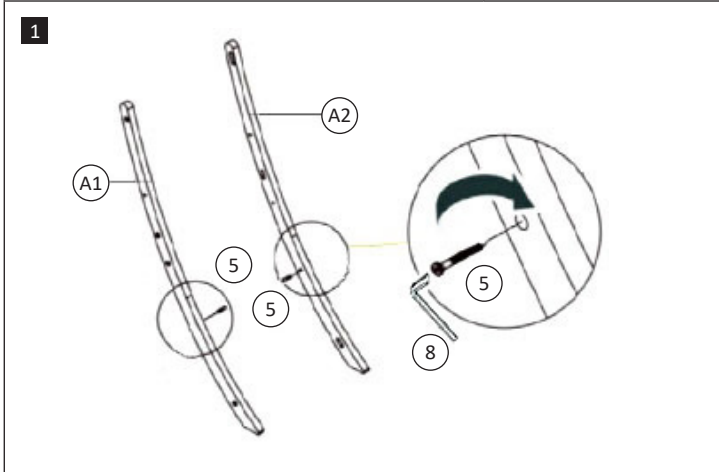
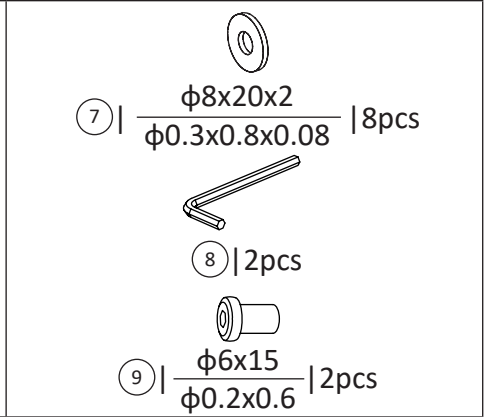
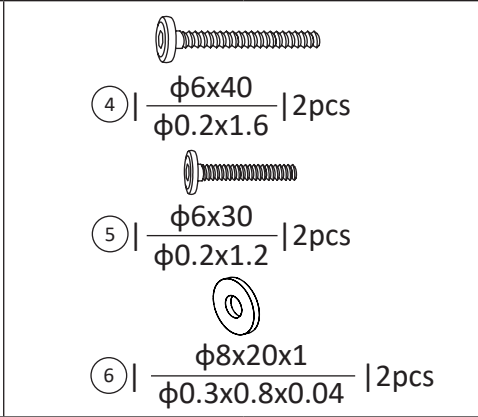
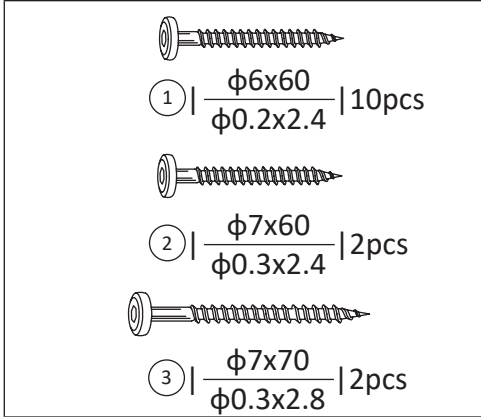
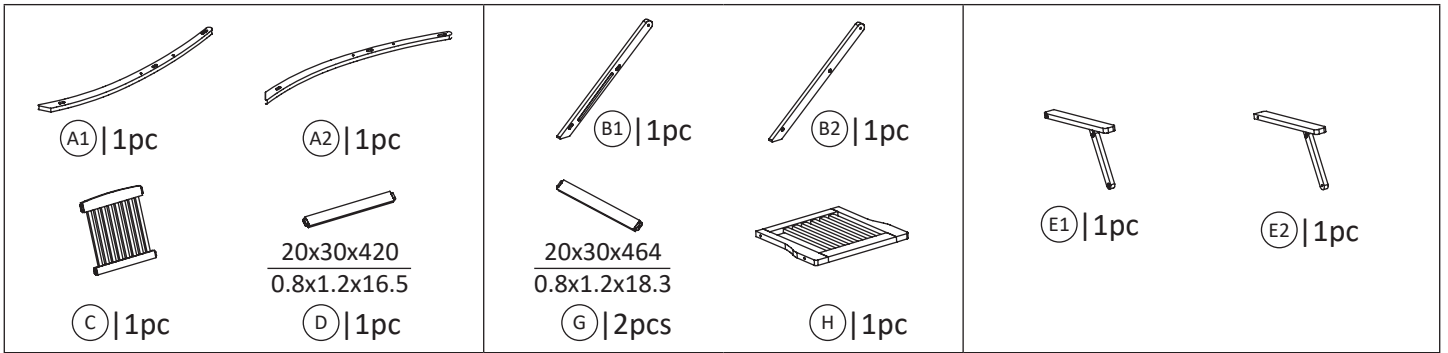


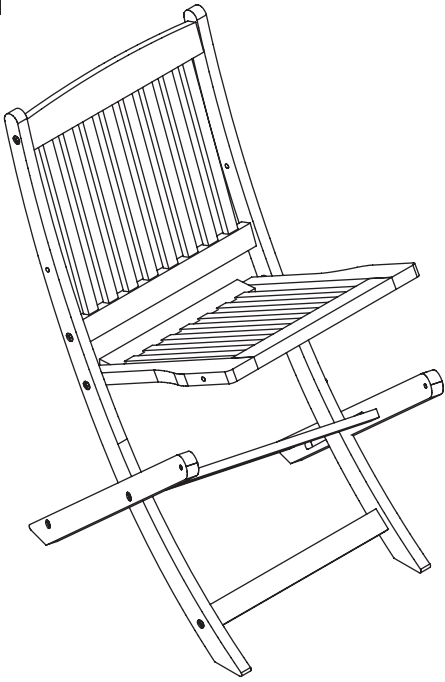
mm
inch

x1

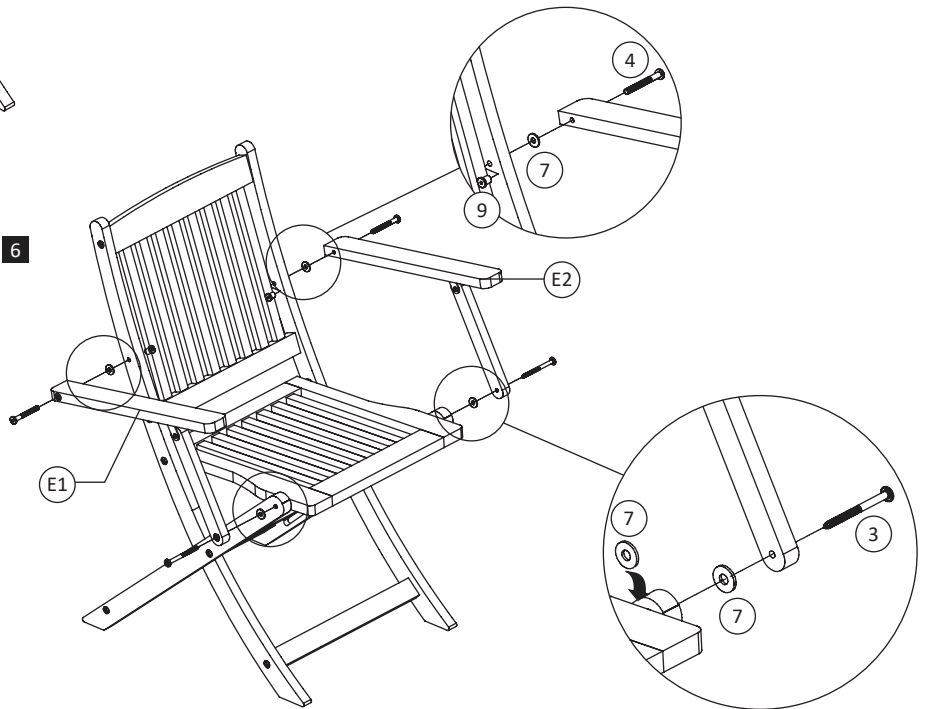




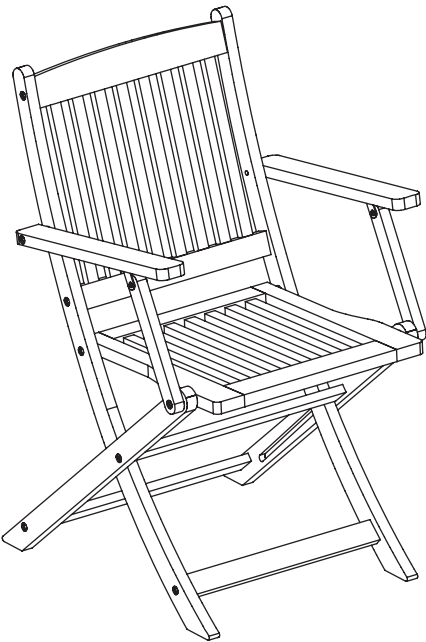
5

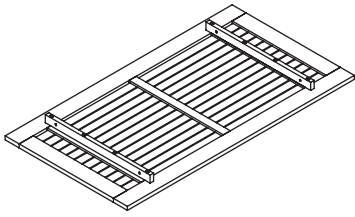


6

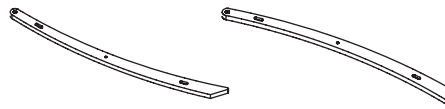


7



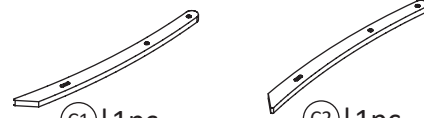


Ⓐ1 | 1pc



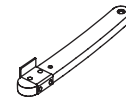
Ⓑ1 | 1pc

Ⓑ2 | 1pc

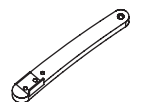


Ⓒ1 | 1pc

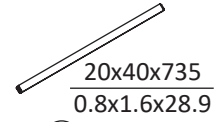
Ⓒ2 | 1pc



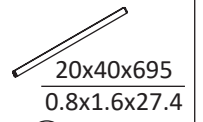
Ⓓ1 | 1pc



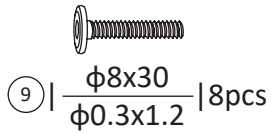
Ⓓ2 | 1pc



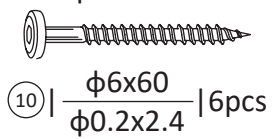
Ⓔ1 | 2pcs



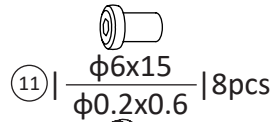
Ⓕ1 | 1pc



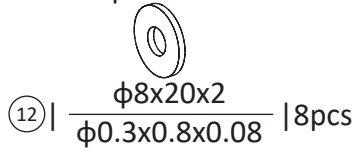
⑨ | $\frac{\phi 8 \times 30}{\phi 0.3 \times 1.2}$ | 8pcs



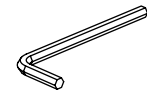
⑩ | $\frac{\phi 6 \times 60}{\phi 0.2 \times 2.4}$ | 6pcs



⑪ | $\frac{\phi 6 \times 15}{\phi 0.2 \times 0.6}$ | 8pcs

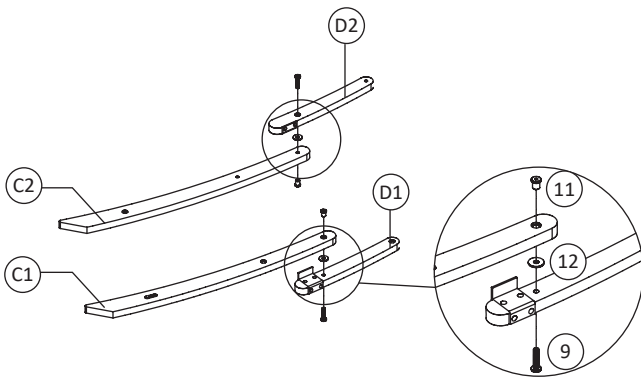


⑫ | $\frac{\phi 8 \times 20 \times 2}{\phi 0.3 \times 0.8 \times 0.08}$ | 8pcs

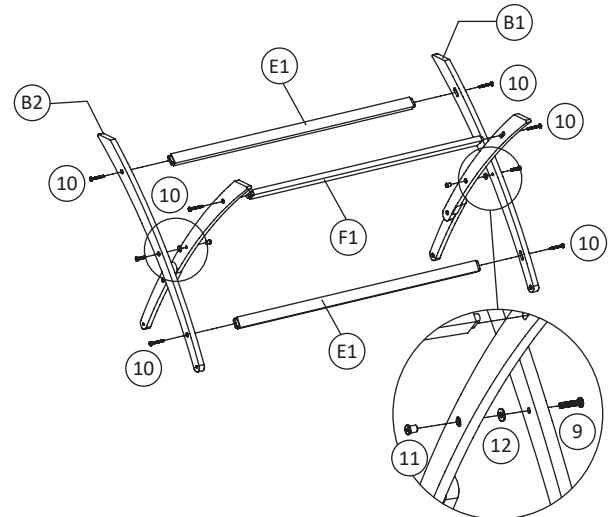


⑬ | 2pcs

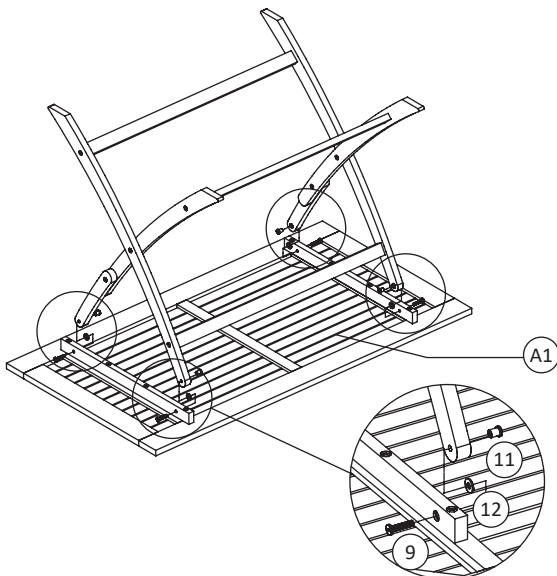
1



2



3



4

