

## WARRANTY

So glad you have completed the assembly and can enjoy it.

If you are satisfied with our products, thank you for showing it to your around.

Our products come with a 12-month warranty.

## AFTER-SALE POLICY

### **For return reason:**

Wrong purchase, bought by mistake, no longer needed, doesn't meet expectation, a size smaller than expectation, customer need to cover the return shipping fee.

### **For cancel order:**

Customer needs to pay for shipping fee and carrier handle fee if the item has been shipped out.

For change address: customer needs to pay for extra shipping fee and carrier handle fee if the item has been shipped out.

### **Customer Service:**

Any problem with the product or shipping issue, please feel free to contact us, we will try our best to serve and help.

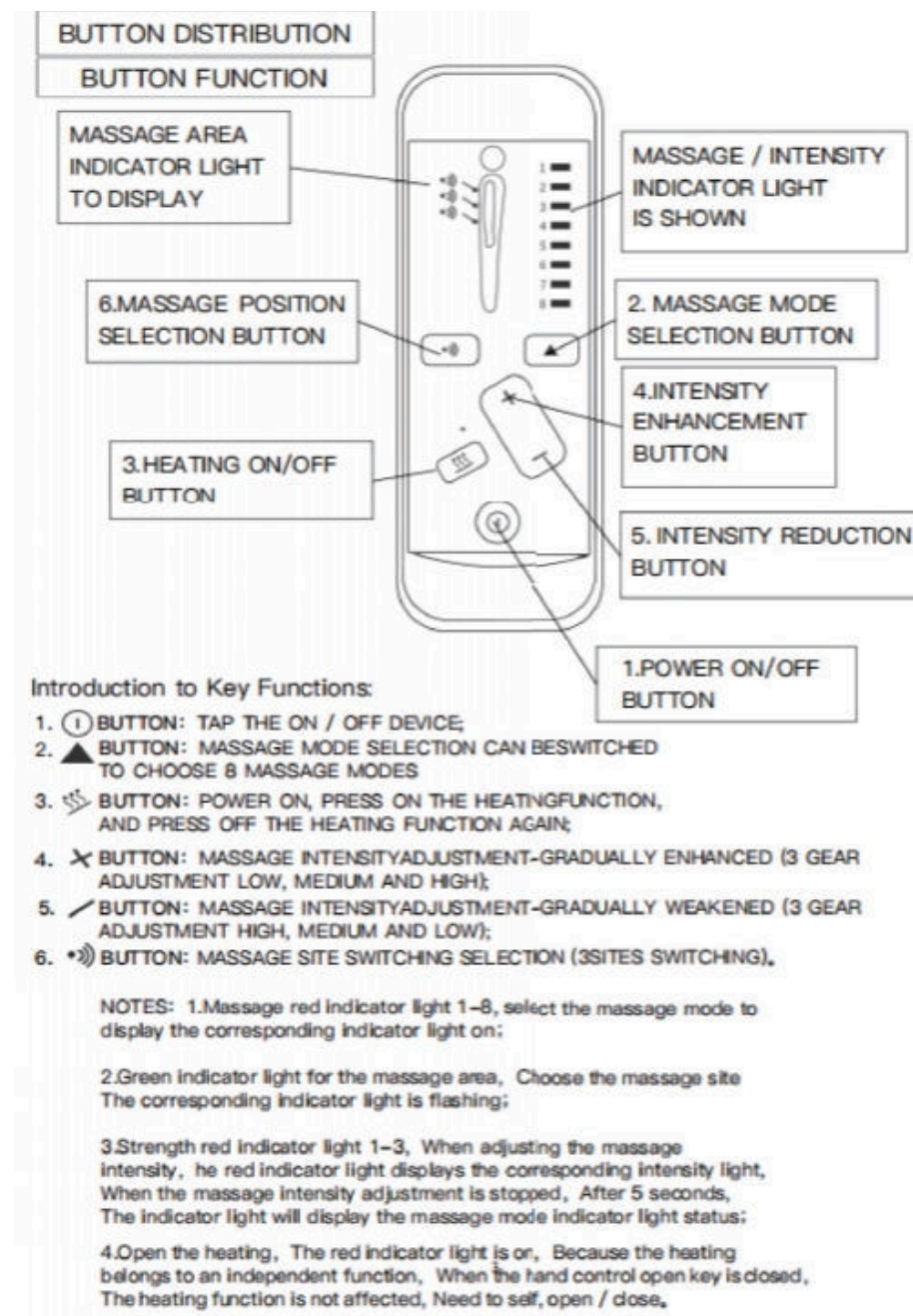
# OFFICE CHAIR ASSEMBLY INSTRUCTIONS



# ATTENTION

Thanks for choosing our product.

1. Please check the manual carefully and make sure you have received all the parts.
2. If there is any missing part, please let us know the letter of the parts you need.
3. If there is any damage part, please send clear photos to us, we will check and offer you best solution soon.



- 5、 Do not use outdoors.
- 6、 Do not carry this appliance by supplied cord as a handle.
- 7、 Keep the cord away from heated surfaces.
- 8、 Close supervision is necessary when this appliance is used by on or near children, invalids or disabled persons.
- 9、 This unit is not a toy. Children should not use it or play with it.
- 10、 Do not operate where aerosol (spray) products are being used or where oxygen is being administered.
- 11、 Do not use near eyes or other highly sensitive areas.
- 12、 To disconnect, push "POWER" key to "OFF" place, make sure all functions stopped, then remove plug from outlet.
- 13、 Keep cord away from heated surfaces.
- 14、 Use this appliance only for its intended use as described in this manual. Do not use attachments not provided with the unit.

**HEALTH CAUTION**

- ⌘ If you have any concerns regarding your health, consult your doctor before using this product.
- ⌘ Individuals with pacemakers should not use this product.
- ⌘ If you experience pain in a muscle or joint for a prolonged period of time. Discontinue use and consult your doctor. Persistent pain could be a symptom of a more serious condition.

**MAINTENANCE INSTRUCTIONS**

**TO STORE:**


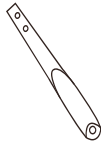
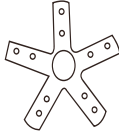
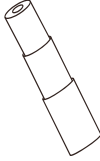
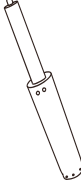




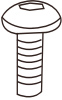
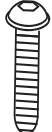

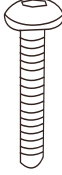


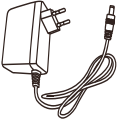

Place unit in its box or safe, dry, cool place. Avoid contact with sharp edges or pointed objects which might cut or puncture the fabric. Do not wrap power cord around the unit. Do not hang the unit by power cord.

**TO CLEAN:**

- ⌘ Insure the unit is unplugged from the power source, and allow to cool before cleaning.
- ⌘ Do not place in any liquid to clean. Clean fabric cover by wiping with a damp sponge, using a mild detergent or suds. Pat dry with clean, dry cloth.
- ⌘ Do not use abrasive cleaners, brushes, gasoline, kerosene, glass /furniturepolish, paint thinner or water hotter than 120°C to clean the unit.
- ⌘ To clean the unit, make sure the massager is unplugged. Allow the unit to cool and the wipe down with a damp clean cloth. Do not use any strong chemical cleaners.

# Assembly Instruction

## Parts List

A	B	C	D	E	G	H
						
5 pcs	5 pcs	1 pc	1 pc	1 pc	1 pc	1 pc
I	J	K	L	M	N	O
						
1 pc	2 pcs	M6*15mm 10 pcs	M6*30mm 4 pcs	M8*25mm 3 pcs	M8*35mm 4 pcs	4 pcs
P	Q	R				
						
1 pc	1 pc	1 pc				

Please note: Please check carefully if there are any missing parts before installation. If there are any missing parts, please place all the parts and take pictures then tell us the missing part number. We will reply you as soon as possible.

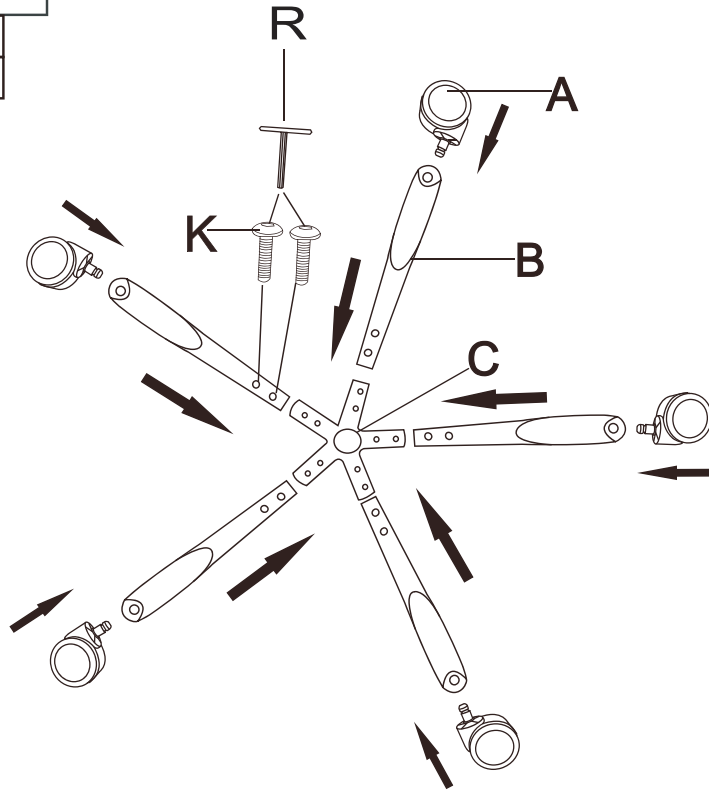
# Assembly Instruction

## Chair Assembly

### Step 1

A\*5

K\*10



First, we need to prepare the connector (C), 5\* metal feet (B), 5\* universal wheels (A), 10\*15mm screws (K) and a wrench (R). Then, according to the figure, insert the 5\* metal feet into the connector, align the screw holes, install the screws and tighten them. Finally, a universal wheel is installed on the tail of each metal foot.

### HOW TO USE

- 1、 Insert adapter jack into the socket found on back of the massage cushion, then plug the adapter into a wall outlet(see Figure A)

Figure A



- 2、 Turn the unit ON by pressing the POWER button once, The LED will illuminate when power is on.
- 3、 Turn on the massage in each zone by pressing the Massage zone. LEDs will illuminate when each zone is activated. To turn off a zone, press the button again.
- 4、 To choose a desired massage mode, press the MODE button. To change modes, press MODE button until LED for desired mode illuminates
- 5、 To change the massage intensity press the INTENSITY button. The LED for HIGH or LOW intensities will illuminate when chosen.  
NOTE: Discontinue use immediately if you feel any discomfort or pain.
- 6、 NOTE: for your benefit, the massage chair is equipped with an auto shut-off feature that will turn the chair unit off after 30 minutes of continuous use.
- 7、 DO NOT use for more than 30 minutes of continuous use.

### IMPORTANT SAFETY INSTRUCTIONS

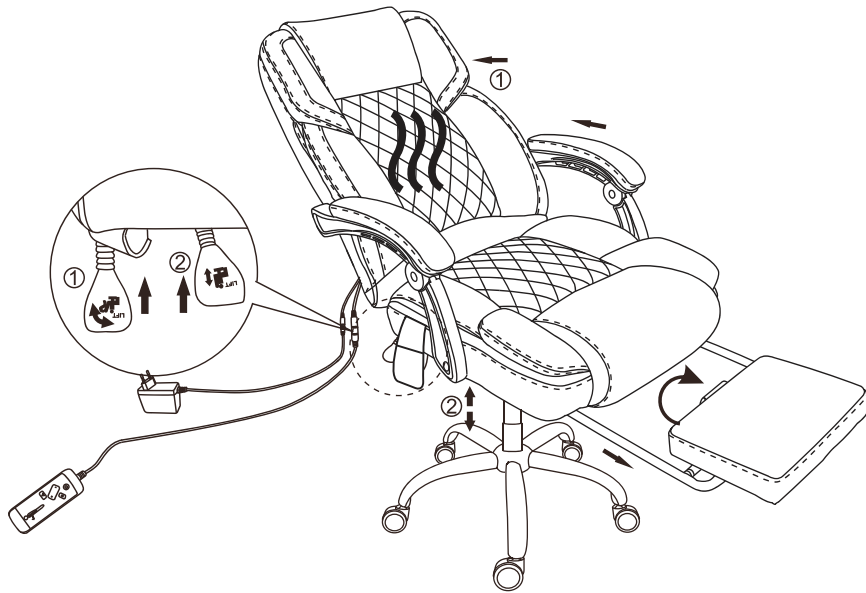
When using an electrical appliance, basic precautions should always be followed, including the following:

- 1、 This product is for use on a 12V circuit Make sure that the product is connected to an outlet having the same configuration as the plug.
- 2、 Always unplug the massager from the power source after use, and before cleaning.
- 3、 Do not reach for massager if it has fallen into water. Unplug immediately.
- 4、 An appliance should never be left unattended when plugged in. Unplug from outlet when not in use, before putting on or taking off parts or attachments.

# Assembly Instruction

## Chair Assembly

### Step 8



6

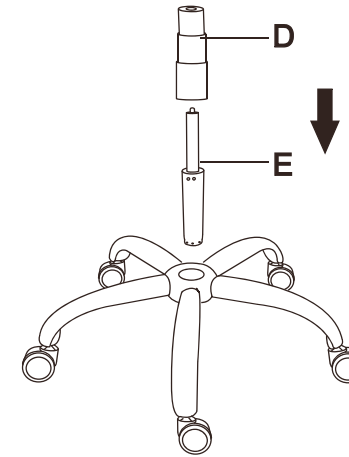
# Assembly Instruction

## Chair Assembly

### Step 2

D\*1

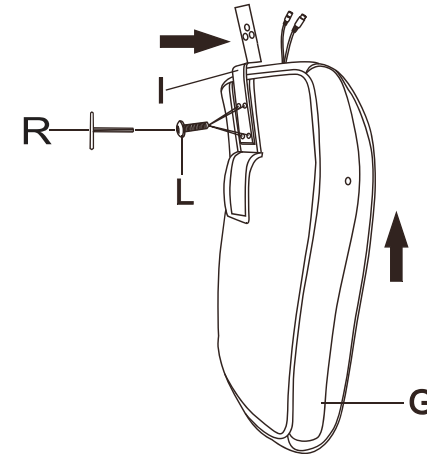
E\*1



### Step 3

L\*4

I\*1



As shown in the figure, insert the connecting piece 'I' into the interf at the bottom of the backrest and fix it with 4 screws numbered 'L'

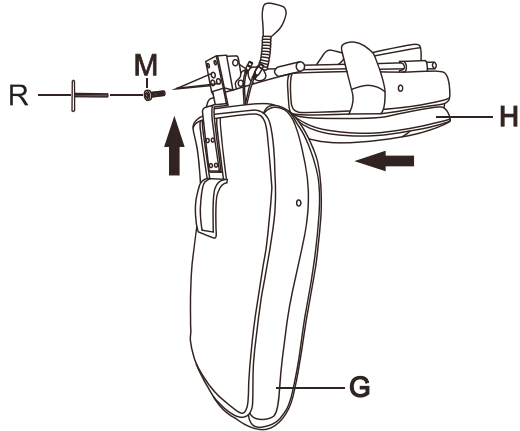
3

# Assembly Instruction

## Chair Assembly

### Step 4

M\*3



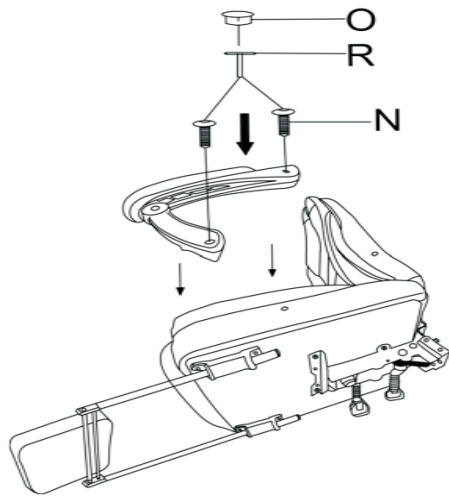
As shown in the figure, insert the other end of the connecting piece 'I' into the interface behind the cushion and fix it with 3 screws numbered 'M'.

### Step 5

J\*2

N\*4

O\*4

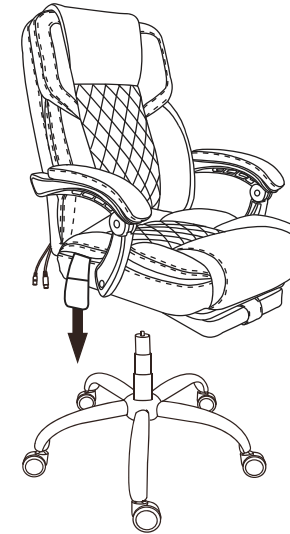


4

# Assembly Instruction

## Chair Assembly

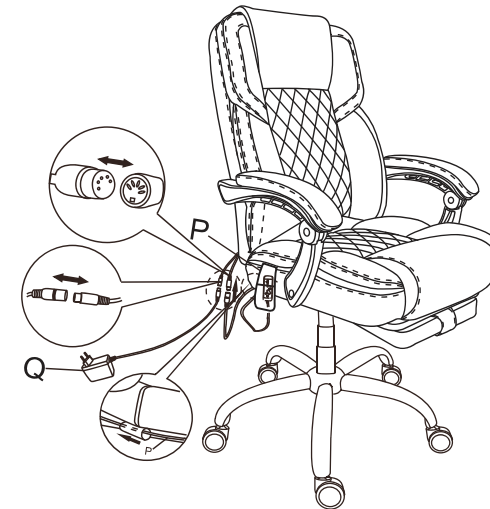
### Step 6



### Step 7

P\*1

Q\*1



5