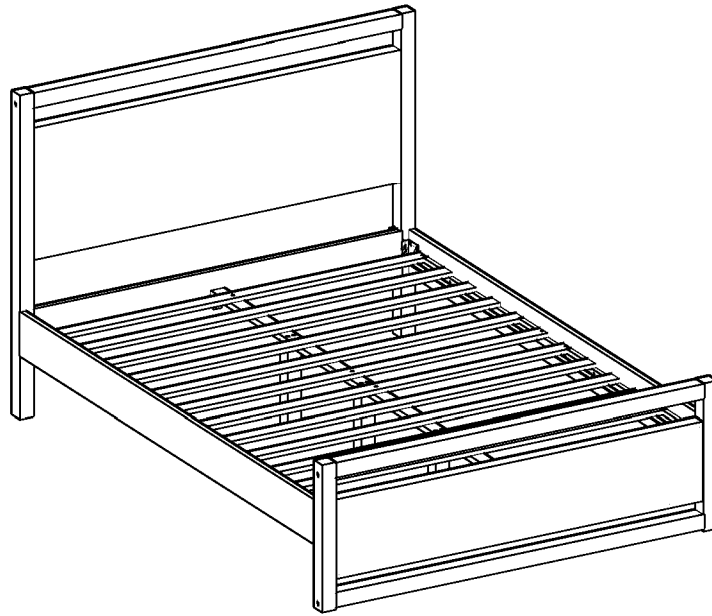
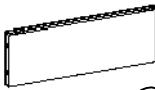
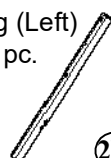





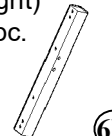

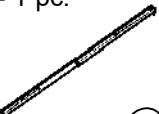

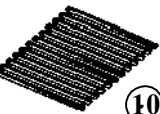


ASSEMBLY INSTRUCTIONS

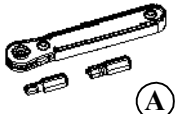

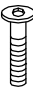


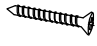






MODEL :JUNIPER



COMPONENT

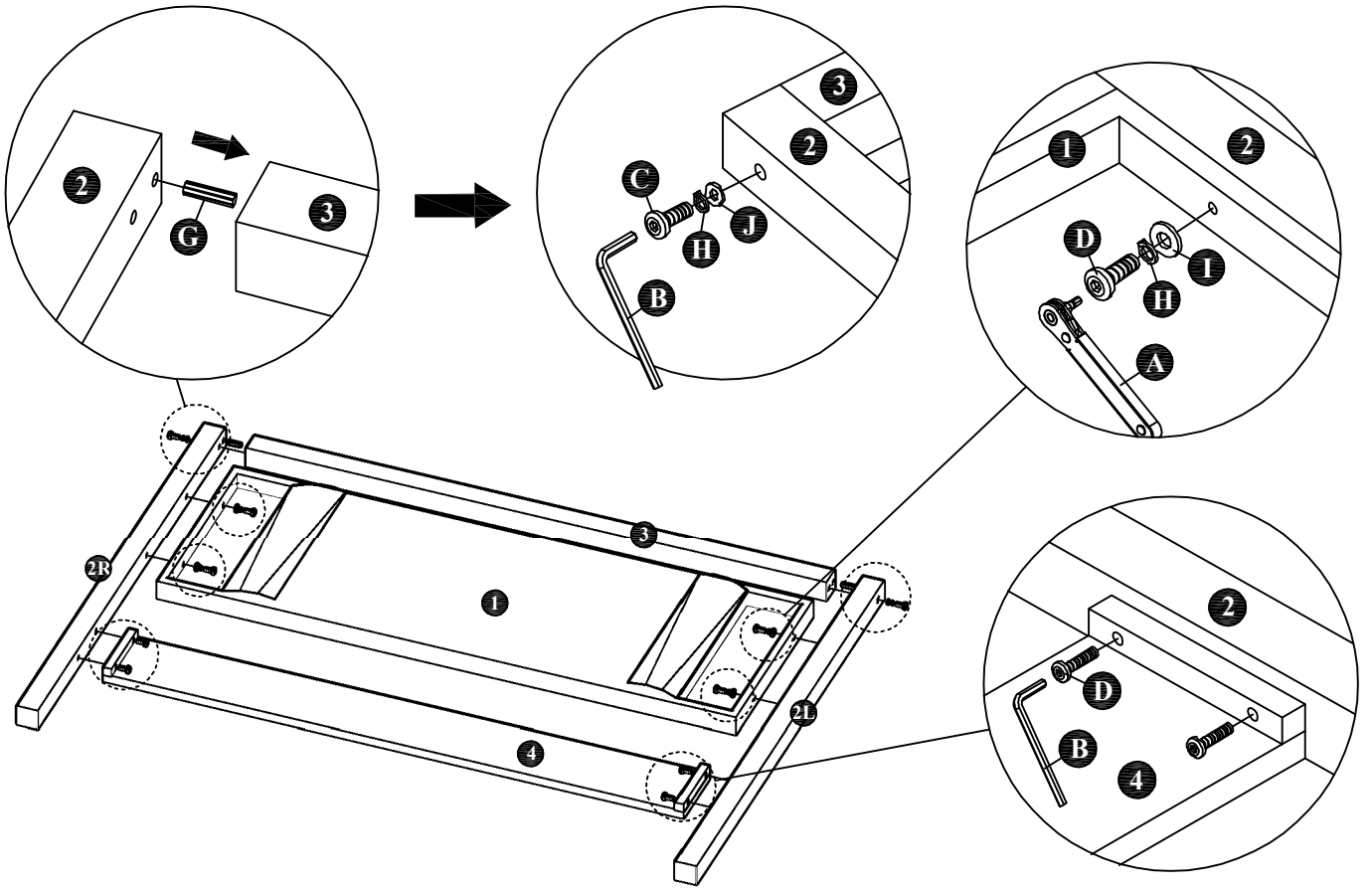
Headboard - 1 pc.  ①	Headboard Leg (Left) - 1 pc.  ②L	Headboard Leg (Right) - 1 pc.  ②R	Headboard & Footboard Wood - 3 pcs.  ③	Headboard Panel - 1 pc.  ④	Footboard - 1 pc.  ⑤	Footboard Leg (Left) - 1 pc.  ⑥L	Footboard Leg (Right) - 1 pc.  ⑥R		
Side Rail - 2 pcs.  ⑦	Center Rail - 1 pc.  ⑧	Center Leg - 3 pcs.  ⑨	Slats - 12 pcs.(2set)  ⑩						

HARDWARE

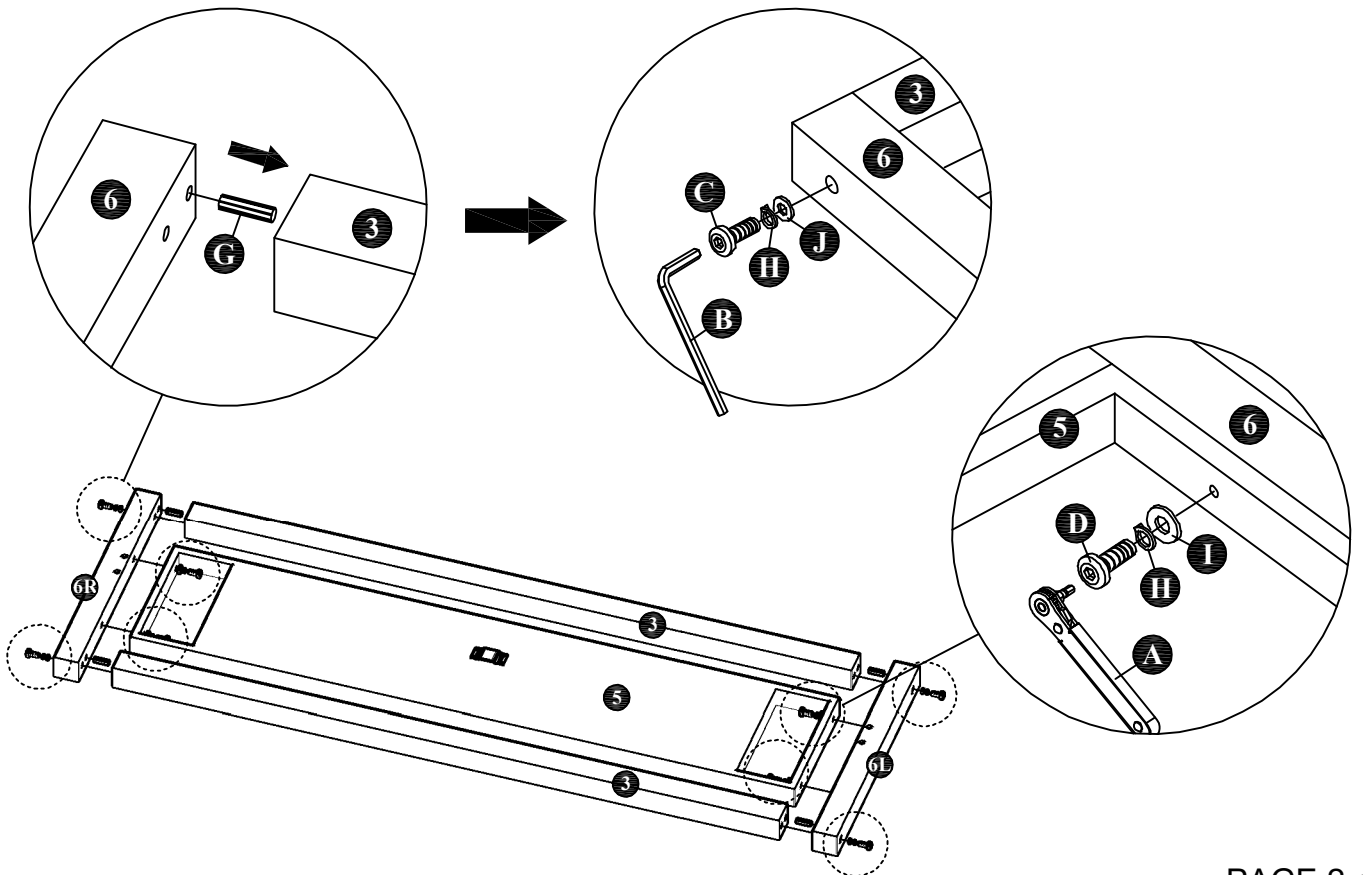
Ratchet Tool - 1 pc.  ①A	Allen Key M4 - 1 pc.  ①B	JCBC Bolt M6 x 70mm - 6 pcs.  ①C	JCBC Bolt M6 x 40mm - 18 pcs.  ①D	Wood Screw M3.5 x 16mm - 2 pcs.  ①E	Wood Screw M4 x 25mm - 12 pcs.  ①F	Wood Dowel M8 x 30mm - 6 pcs.  ①G	M6 Spring Washer - 14 pcs.  ①H		
M6 Flat Washer - 8 pcs.  ①I	Flat Washer M6 x 13mm (Small) - 6 pcs.  ①J	Wood Button - 6 pcs.  ①K	Foot Pads - 4 pcs.  ①L						

ASSEMBLY INSTRUCTIONS

STEP 1 :

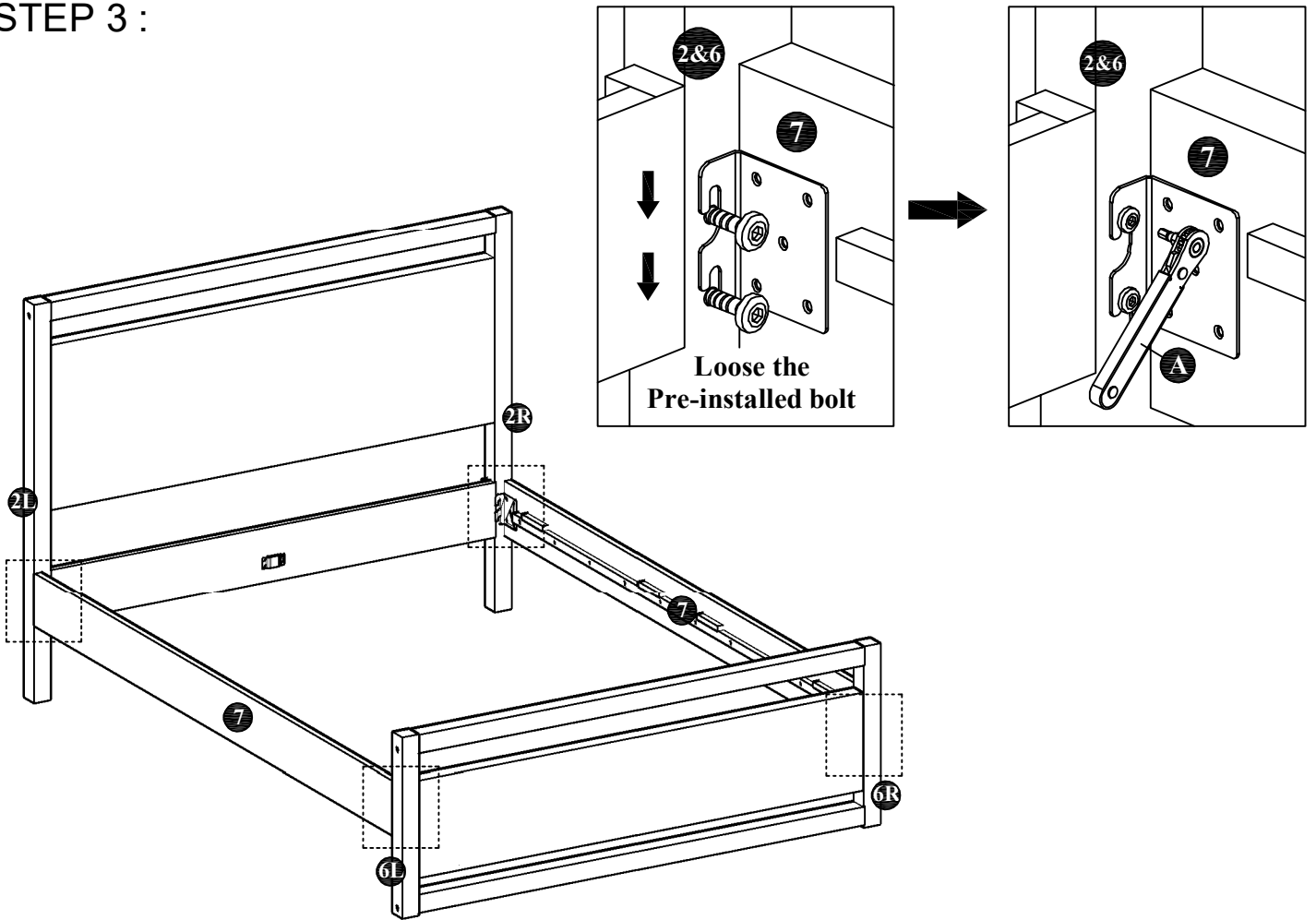


STEP 2 :

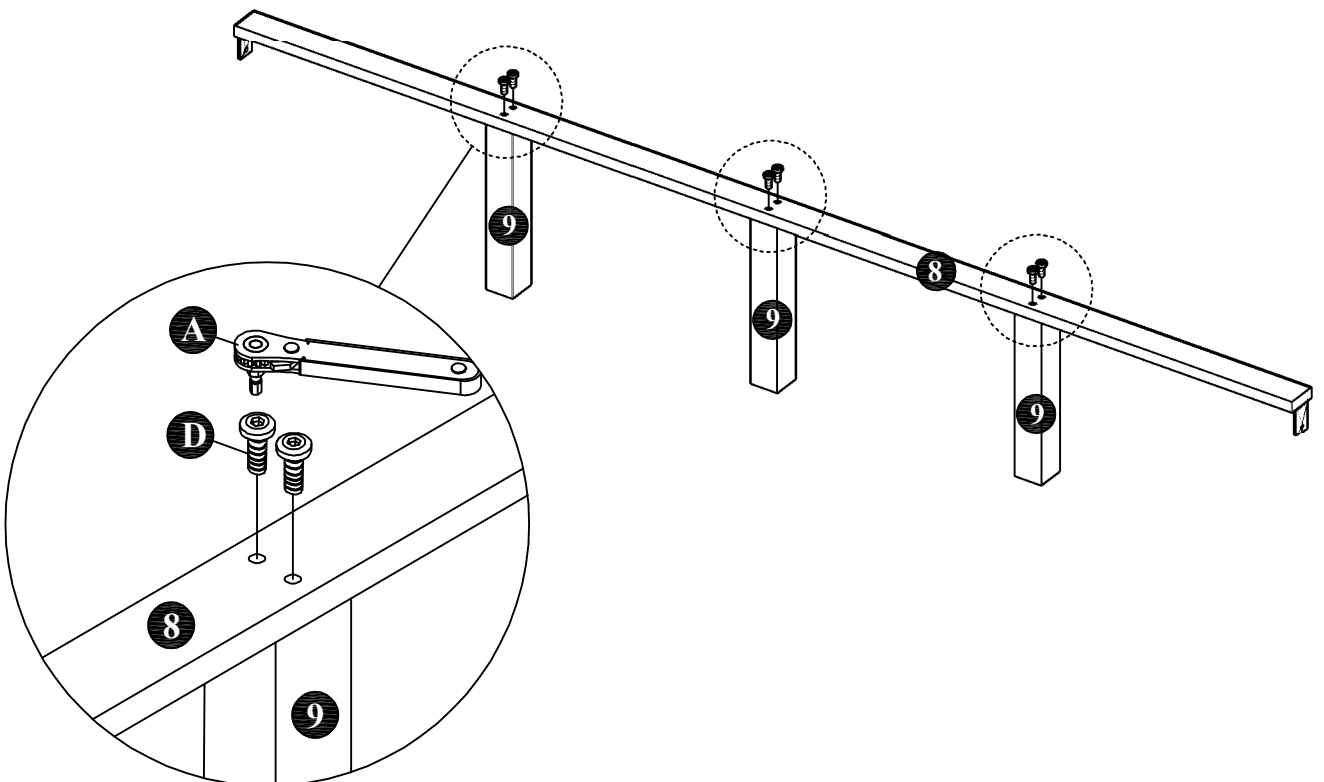


ASSEMBLY INSTRUCTIONS

STEP 3 :

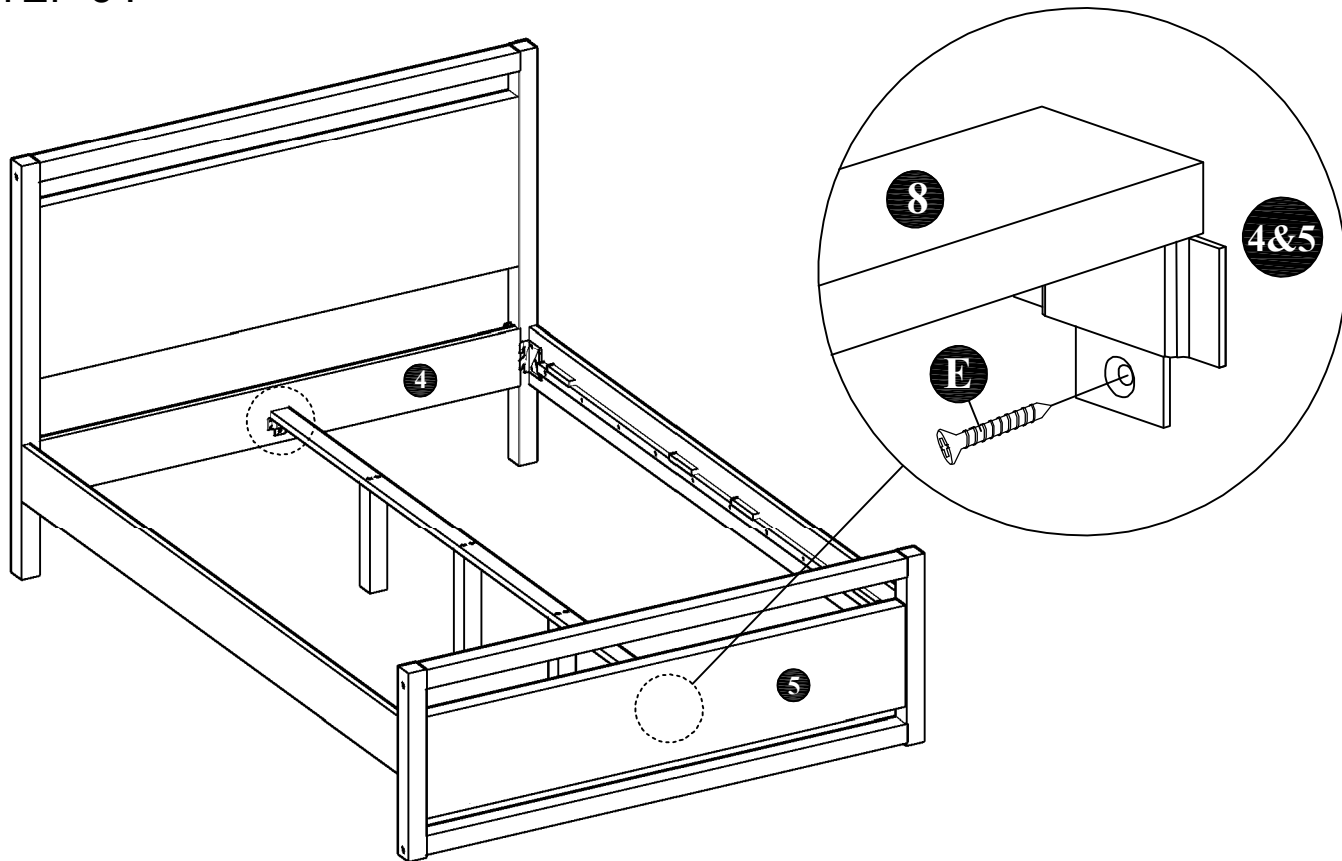


STEP 4 :

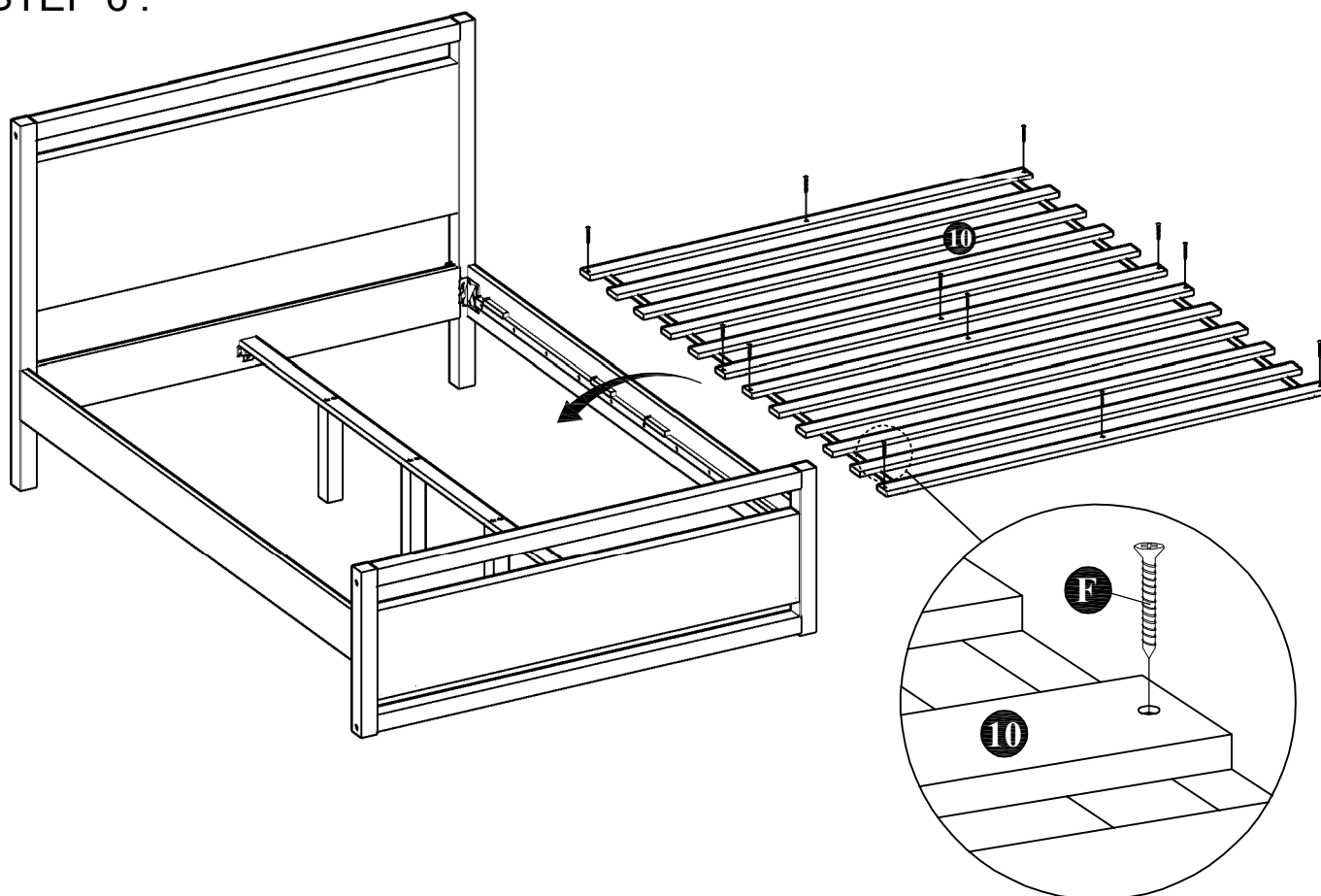


ASSEMBLY INSTRUCTIONS

STEP 5 :

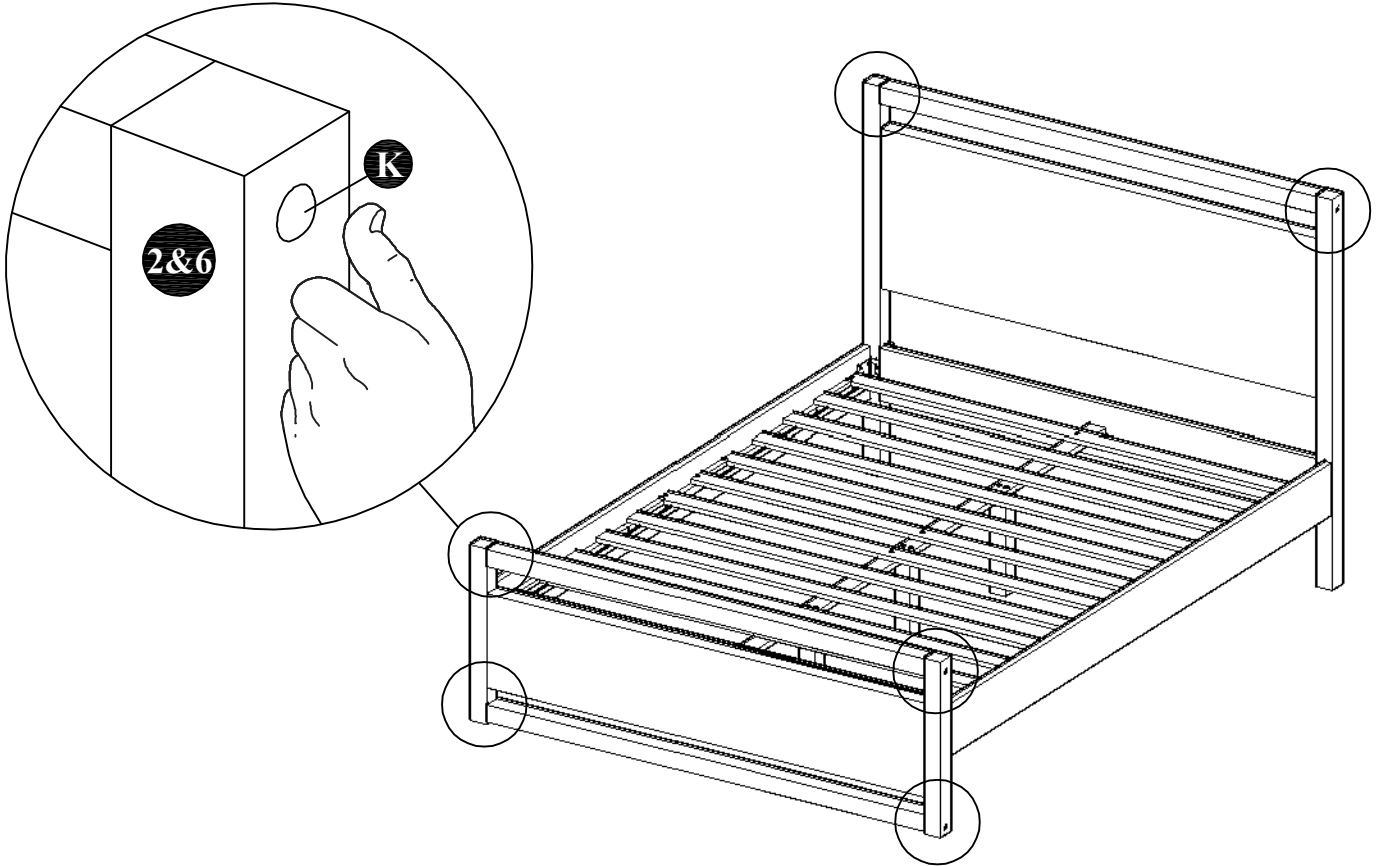


STEP 6 :



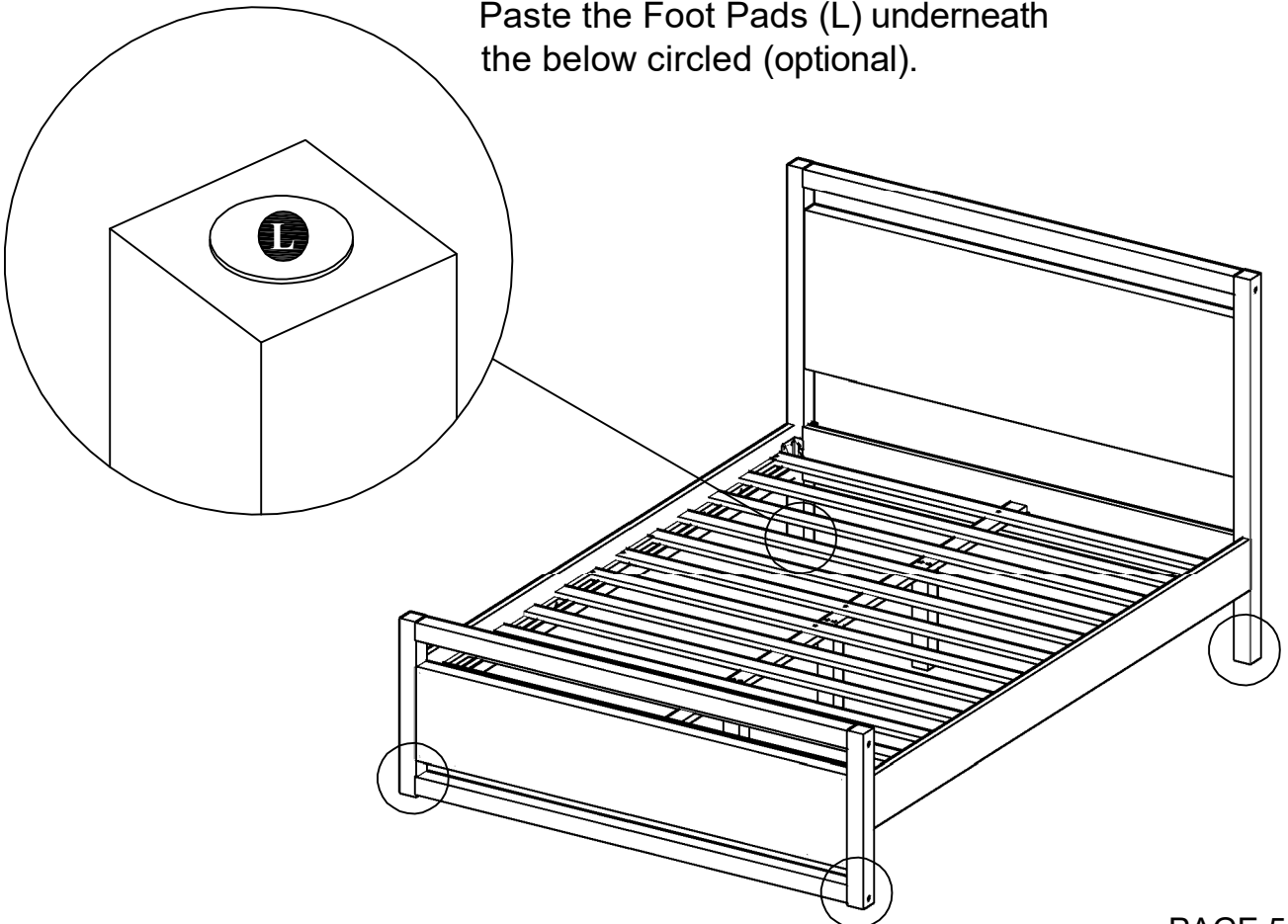
ASSEMBLY INSTRUCTIONS

STEP 7 :



STEP 8 :

Paste the Foot Pads (L) underneath the below circled (optional).



ASSEMBLY INSTRUCTIONS

COMPLETE VIEW

IMPORTANT

Please lift up the bed to move
with 2 or more people.

DO NOT DRAG THE BED!

