

# PRECAUTIONS

FOR SAFE USAGE, OBSERVE THE FOLLOWING:

## FOR INDOOR STORAGE USE ONLY

- Do not place product near a heater or any other source of heat/fire.
- Keep product on a flat and stable surface.
- Do not allow children to play with product.
- Do not exceed the weight capacity.
- When moving product, take all items off.
- Assemble correctly according to the assembly method in this manual.
- Use of this product on flooring or other easily damaged floor surfaces may result in scratches or dents on the floor surface, so use sufficient caution.
- When placing items on product, distribute weight evenly.
- There may be oil adhering to the pipes, so wipe it off promptly.
- Keep away from direct sunlight or high humidity.
- Wipe away any water, oil, or soap immediately.
- Do not place hot or wet items on the product.
- Do not place stickers or tape on product.
- If the product becomes unbalanced or unstable, please remove some of the stored items.
- Check that screws are properly tightened after installation. Screws may loosen over time, re-tighten as needed.

- No refund will be provided for accidents or damages caused by natural disasters, improper usage, or unauthorized modifications made to the product.
- Follow the local rules and regulations when disposing of product or package materials.
- Placing product in a well-ventilated area is recommended before first use.

# MAINTENANCE

TO MAINTAIN OPTIMAL PERFORMANCE OF PRODUCT, OBSERVE THE FOLLOWING:

- Do not scrub the wooden shelf surface hard while cleaning. It may damage the surface.
- To remove hard stains, wipe with soap and water using a non-abrasive cloth and dry product thoroughly.
- Do not use cleaning products such as alcohol, gasoline, bleach or detergent powder.

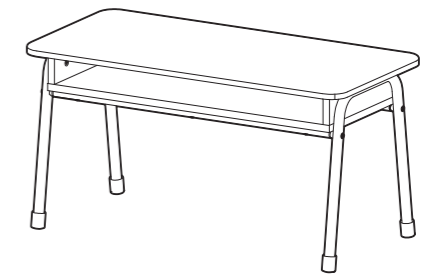
PRODUCT SIZE (in/mm)	W31.50 x D14.96 x H16.14 in / W800 x D380 x H410 mm
WEIGHT CAPACITY (lbs/kg)	Desktop: 33 lbs / 15 kg, Bottom Board: 4 lbs / 2 kg, Overall: 37 lbs / 17 kg
MATERIAL	Wooden parts: Synthetic resin cosmetic particle board , Printed paper cosmetic particle board, Medium Density Fiberboard Pipe: Steel (epoxy powder coating)

\*WEIGHT CAPACITY IS MEASURED VALUE, NOT GUARANTEED VALUE.

\*PRODUCT SPECIFICATIONS ARE SUBJECT TO CHANGE WITHOUT NOTICE.

# GENERAL INSTRUCTIONS

Thank you for purchasing this product.  
Read these instructions carefully before use.  
Keep these instructions for future reference.



**Tool Required**

- Cross-head Screwdriver

**WARNING**

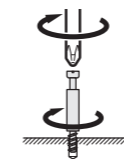
Do not use an impact driver.

**IMPORTANT**

- READ ALL INSTRUCTIONS PRIOR TO ASSEMBLY.
- FOLLOW ASSEMBLY INSTRUCTIONS PROPERLY TO ENSURE MAXIMUM PRODUCT STRENGTH AND STABILITY.

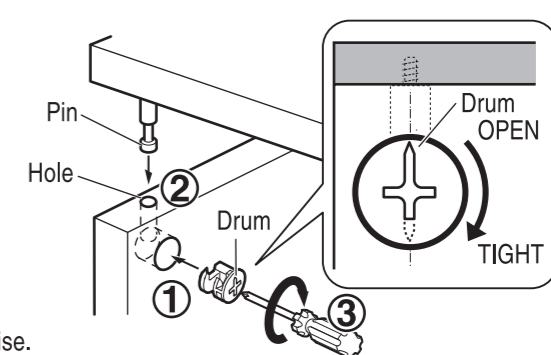
**1** Tightening Pin

Screw clockwise using a Phillips screwdriver

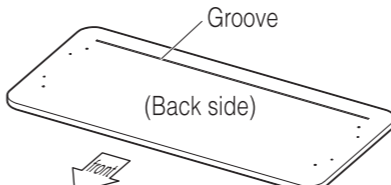


**2** Tightening Drum

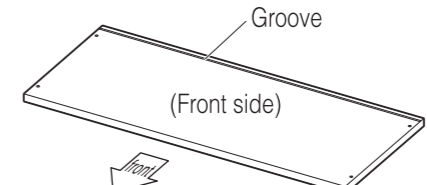
- ① Insert tightening drum: Being careful of orientation, insert the drum to the back with etched arrow at top. (Drum cannot be secured if oriented incorrectly)
- ② Insert tightening pin into hole
- ③ Turn tightening drum: Secure by turning 135-180 degrees clockwise.



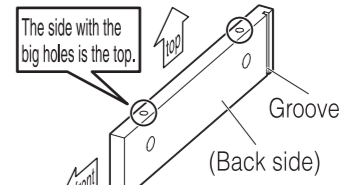
# INCLUDED PARTS



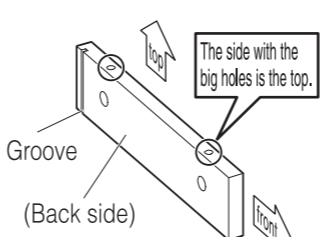
Desktop x 1



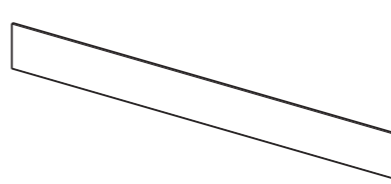
Bottom Board x 1




Left Board x 1



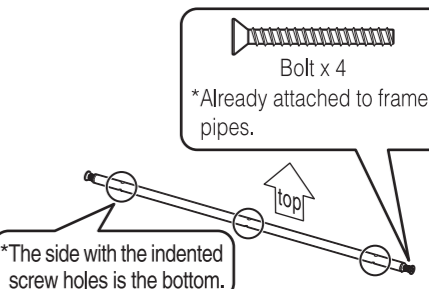
Right Board x 1




Back Board x 1

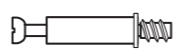



Leg Pipe x 2

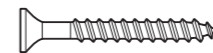


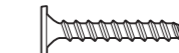
Frame Pipe x 2


  
Tightening Drum x 5


  
Tightening Pin x 5

  
Spacer x 5

  
Screw for Body x 5

  
Screw for Leg Pipe x 5

  
Screw for Frame Pipe x 7

  
Felt Sticker x 5

# ASSEMBLY METHOD

- ASSEMBLE INDOORS ON A FLAT SURFACE, BE WARY OF SCRATCHES ON FLOOR FROM ASSEMBLY.
- VERIFY THAT ALL PARTS ARE PROPERLY INSTALLED.

**1 Attach the tightening pins to the desktop**

See front cover :  
**1 Tightening Pin**

**2 Attach the side boards to the desktop**

See front cover :  
**2 Tightening Drum**

**3 Attach the back board**

**4 Attach the bottom board**

**Screw for Body x 4**

**5 Attach the felt stickers and leg pipes, and temporarily tighten the screws for the leg pipes.**

**Screw for Leg Pipe x 4**

**6 Attach the frame pipes and temporarily tighten them**

After assembling each part, fully tighten all the screws and bolts. **Complete**

**Screw for Frame Pipe x 6**

\*This is the same as assembling with two screws for the frame pipes.

\*The side with the indented screw holes is the bottom.

Frame Pipe x 2

Spacer x 4

Pay attention to the direction of the spacers when attaching them.

Frame Pipe    Spacer    Leg Pipe

**Bolt x 4**

\*Already attached to frame pipes. Loosen the screws and take them off before assembly.

**WARNING**

- Make sure the bolts and screws have been thoroughly tightened
- Make sure product is straight and sturdy
- Make sure all the legs have contact with the floor