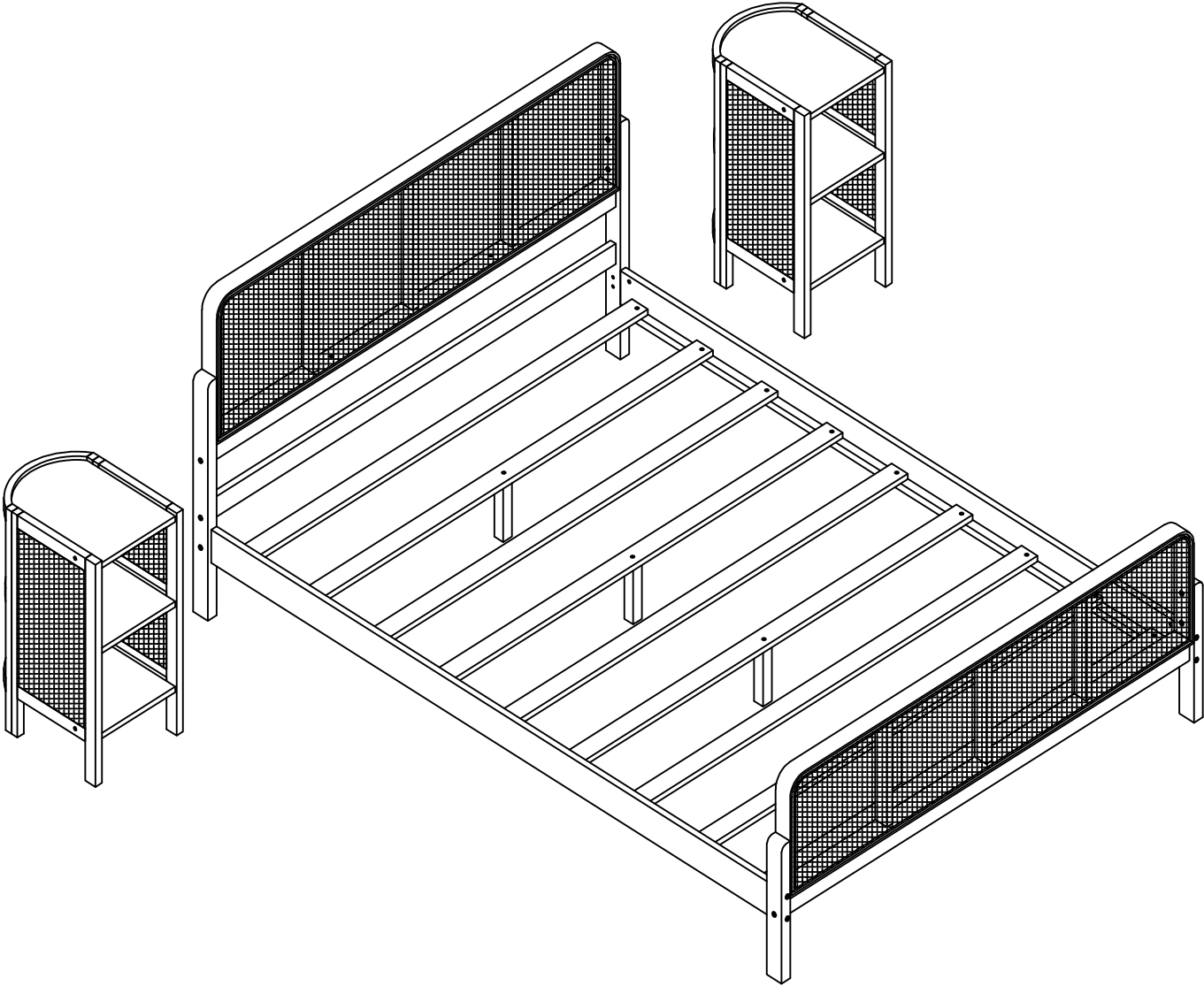
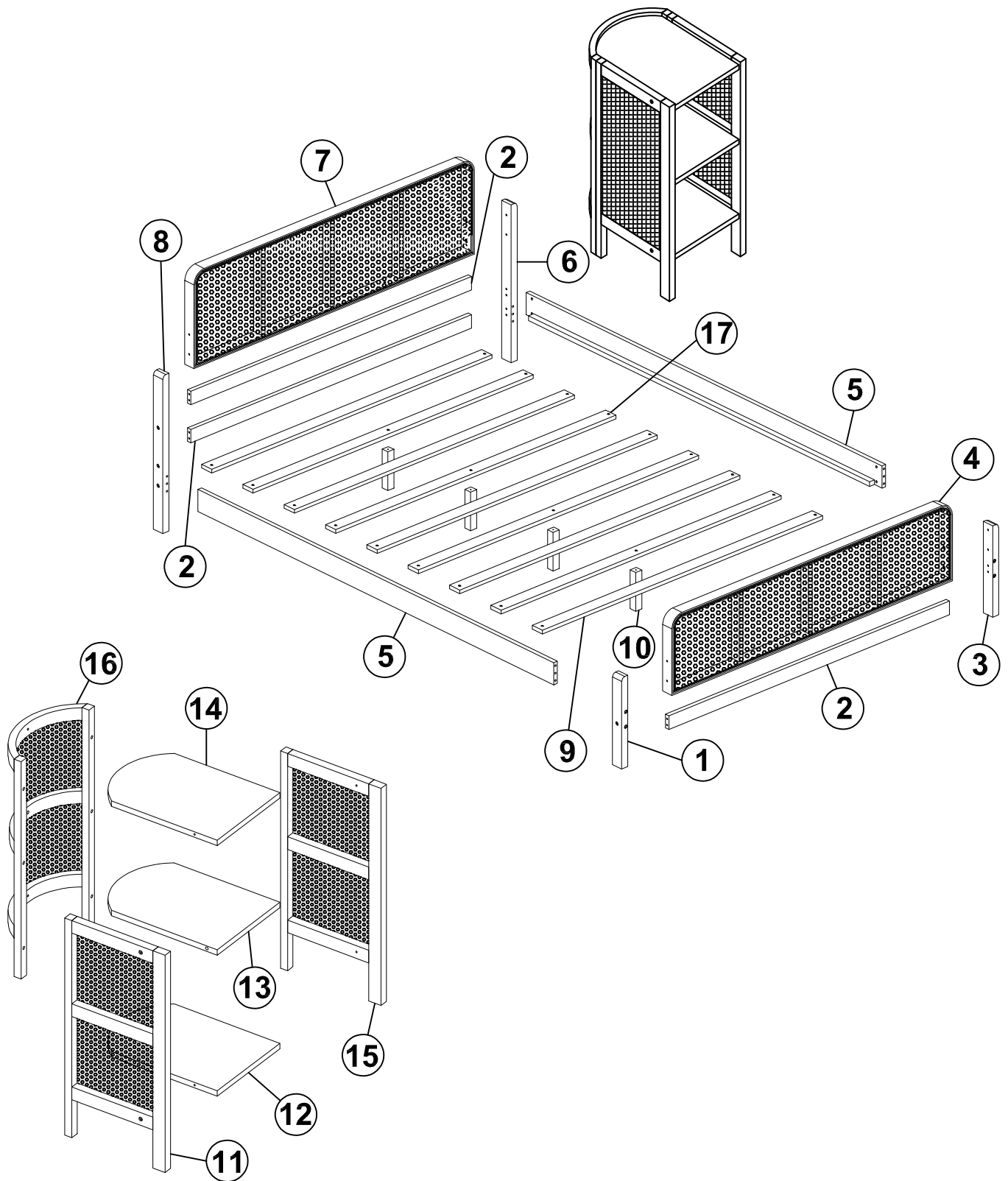


# ASSEMBLY INSTRUCTION

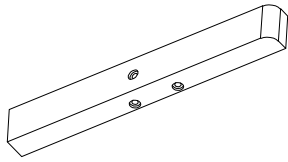


Detail:



# Part List

1 x1



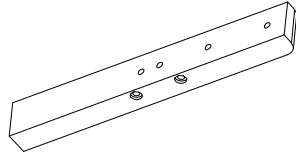
Front Left Leg

2 x3



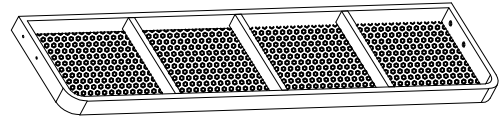
Top Guard

3 x1



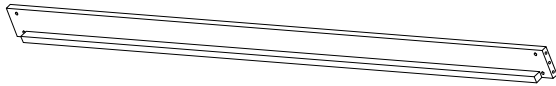
Front Right Leg

4 x1



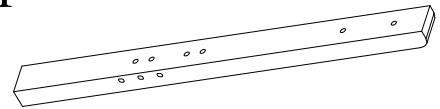
FootBoard

5 x2



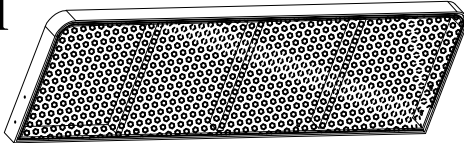
Side Rail

6 x1



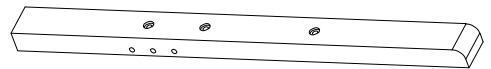
Back Right Leg

7 x1



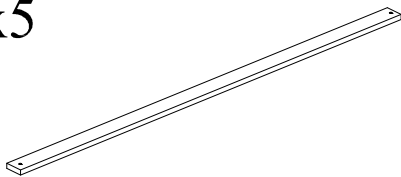
Head

8 x1



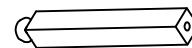
Back Left Leg

9 x5



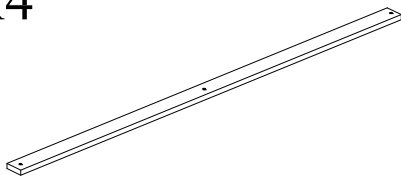
Slats

10 x4



Support Leg

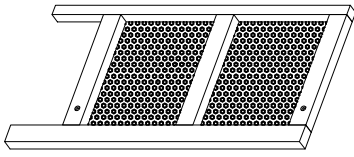
17 x4



Slats

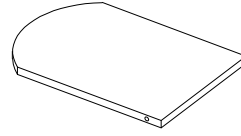
# Part List

11 x2



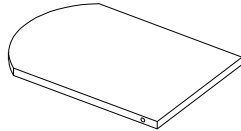
**Side Cabinet**

13 x2



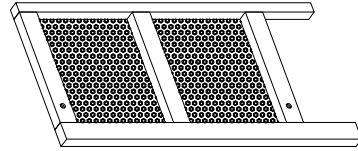
**Mid Cabinet**

14 x2



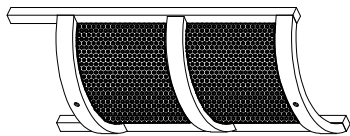
**Top Cabinet**

15 x2



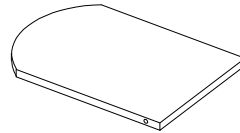
**Side Cabinet**

16 x2



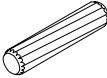





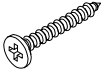
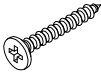

**Back Cabinet**

12 x2

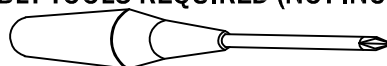


**Bottom Cabinet**


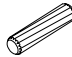


## Hardware List

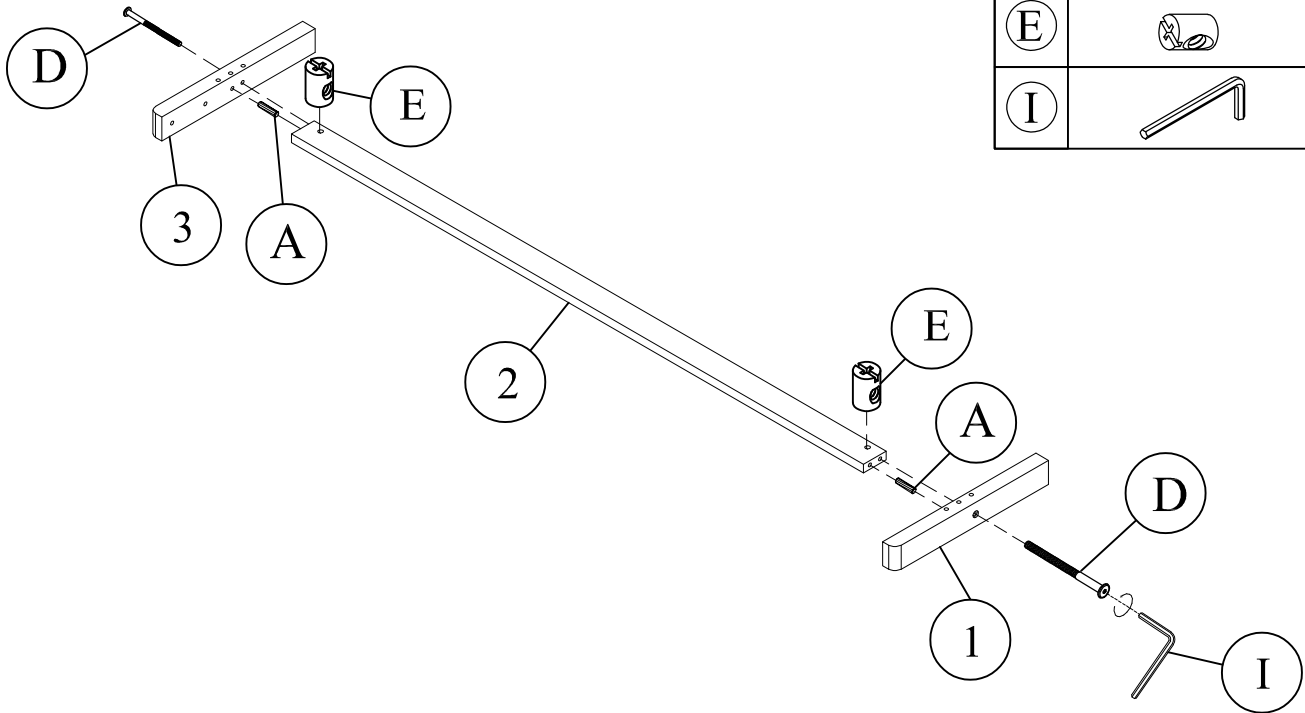
No.	OUTLOOK	DESC	QTY
(A)		Dowel Ø8*30mm	28pcs
(B)		Bolts M6*30mm	12pcs
(C)		Bolts M6*90mm	8pcs
(D)		Bolts M6*70mm	6pcs
(E)		Cross dowel M6*13mm	14pcs
(F)		Cross dowel Ø10*10mm	12pcs
(G)		Flat head screw #8*60mm	12pcs
(H)		Flat head screw #8*25mm	18pcs
(I)		Allen key 60*22*4mm	1pc

**ASSEMBLY TOOLS REQUIRED (NOT INCLUDED)**



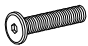

# STEP 1

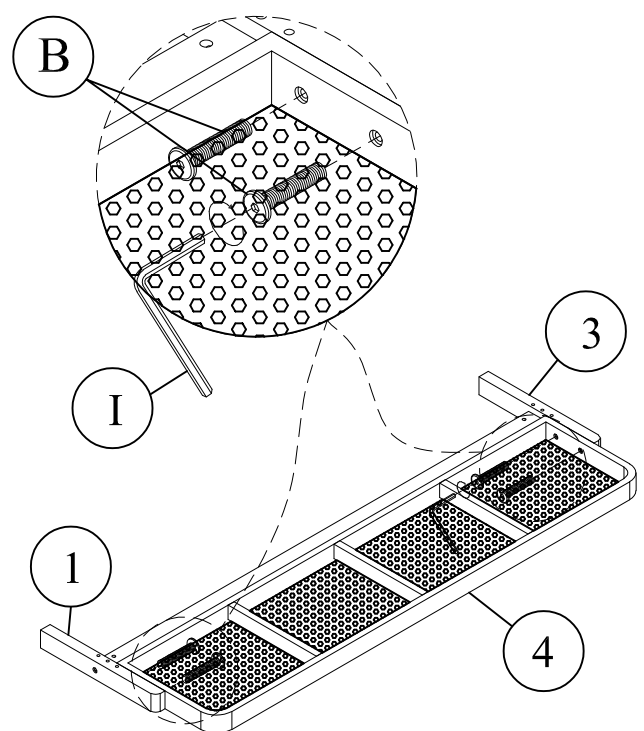
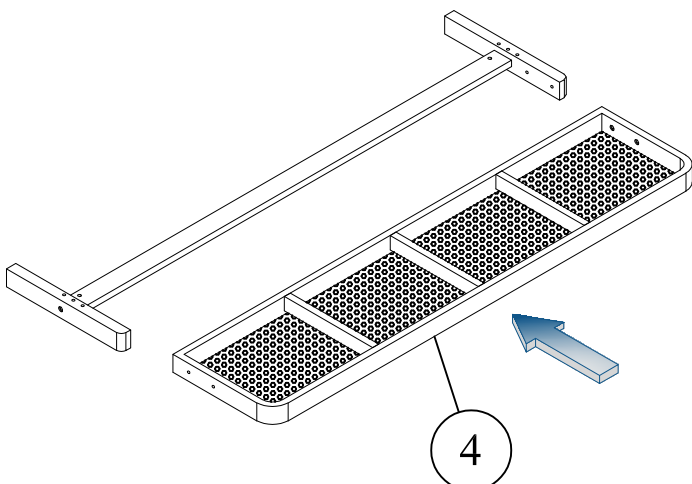
(D)		2pcs
(A)		2pcs
(E)		2pcs
(I)		1pc



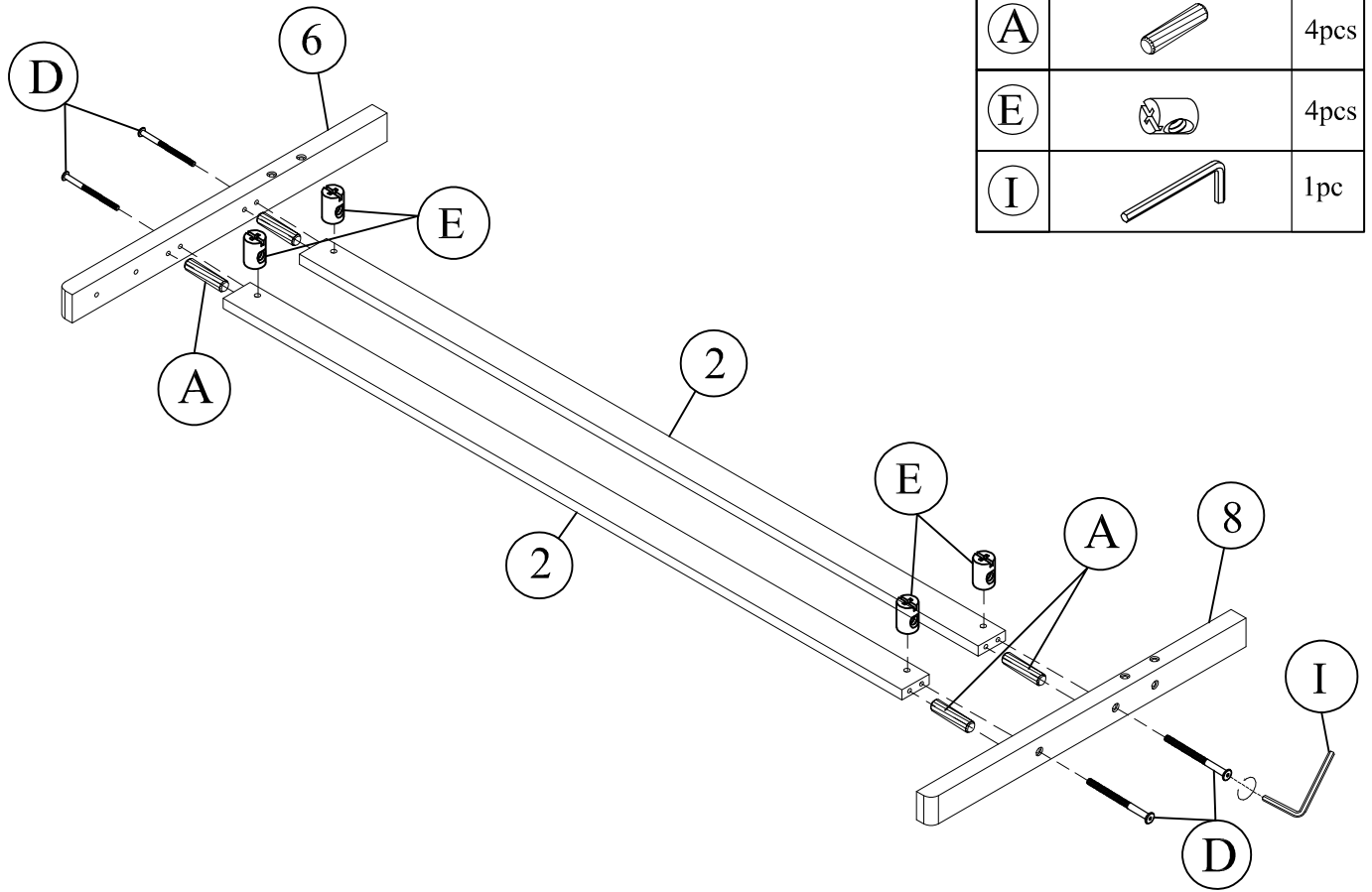
# STEP 2

# STEP 3

(B)		4pcs
(I)		1pc

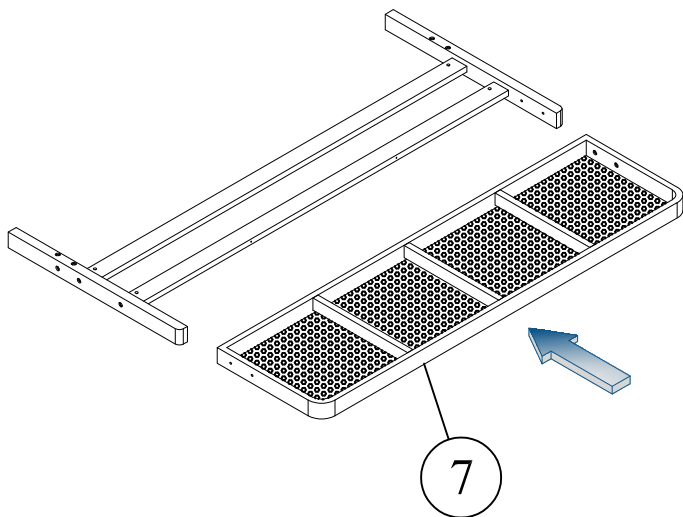


# STEP 4

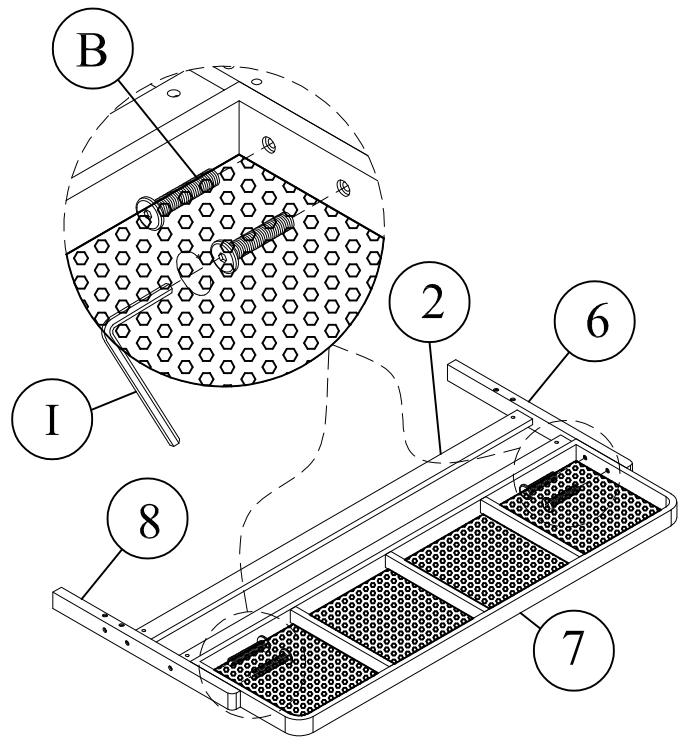


(D)		4pcs
(A)		4pcs
(E)		4pcs
(I)		1pc

# STEP 5




# STEP 6

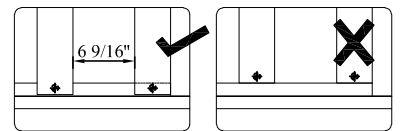
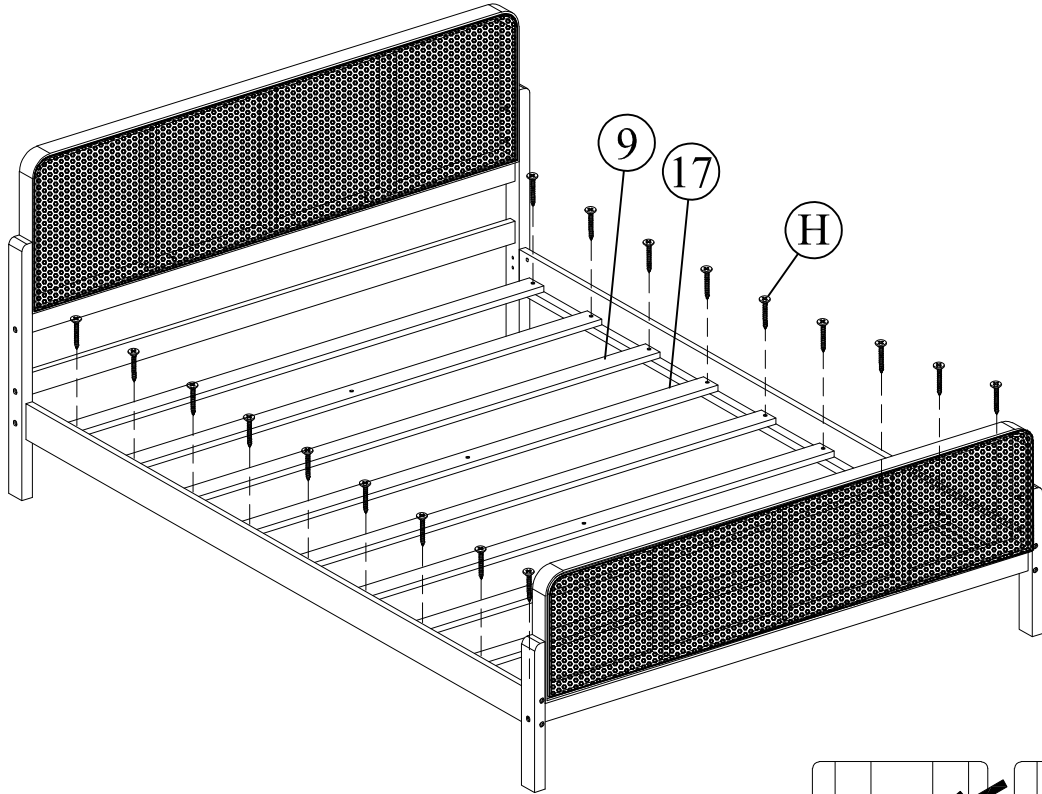


(B)		4pcs
(I)		1pc





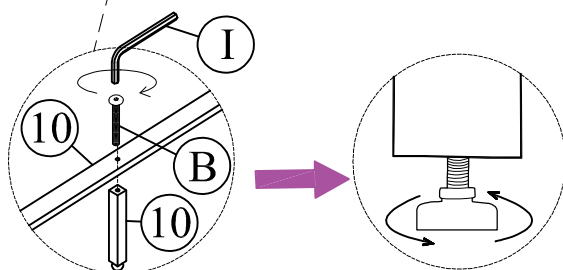
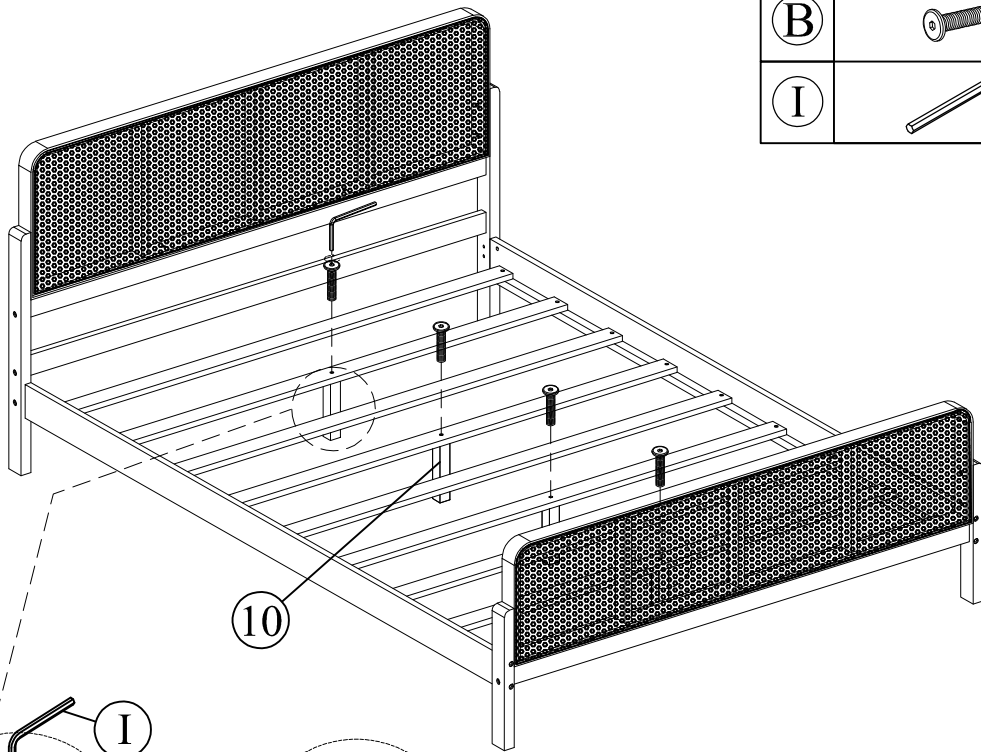
# STEP 8

(H)		18pcs
-----	---	-------


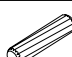



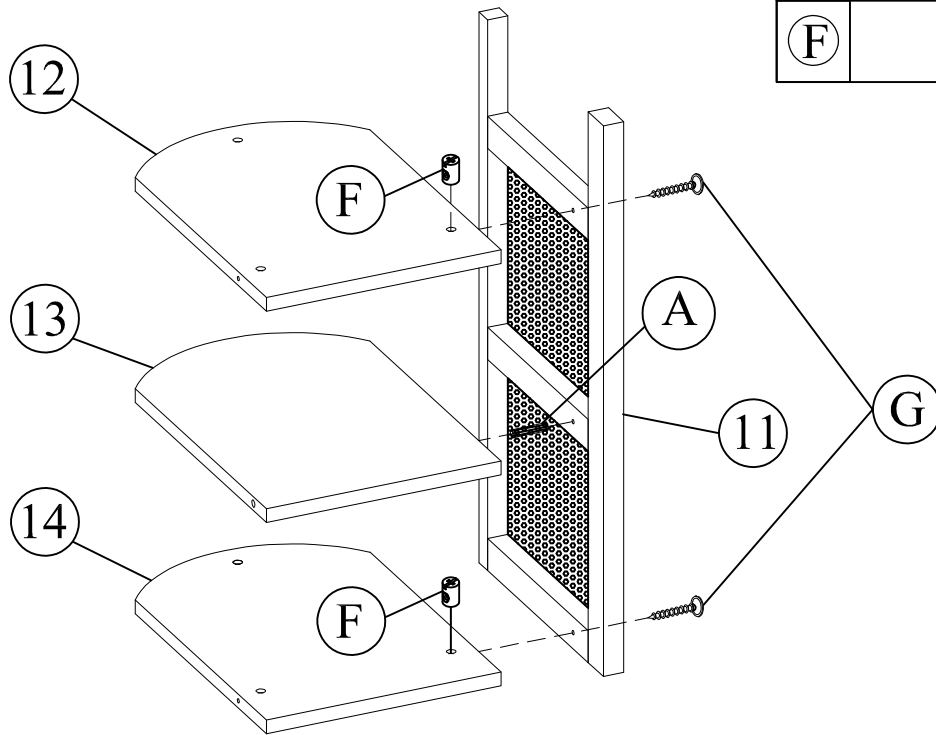
# STEP 9

(B)		4pcs
(I)		1pc




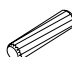

# STEP 10

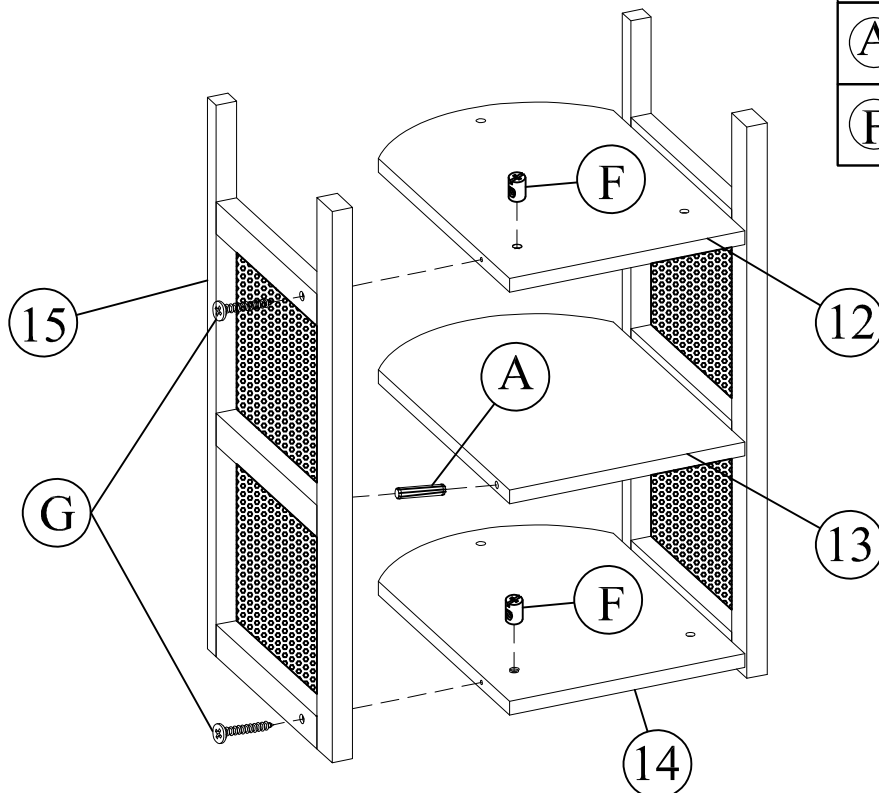
(G)		4pcs
(A)		2pcs
(F)		4pcs



**X2**


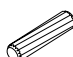

# STEP 11

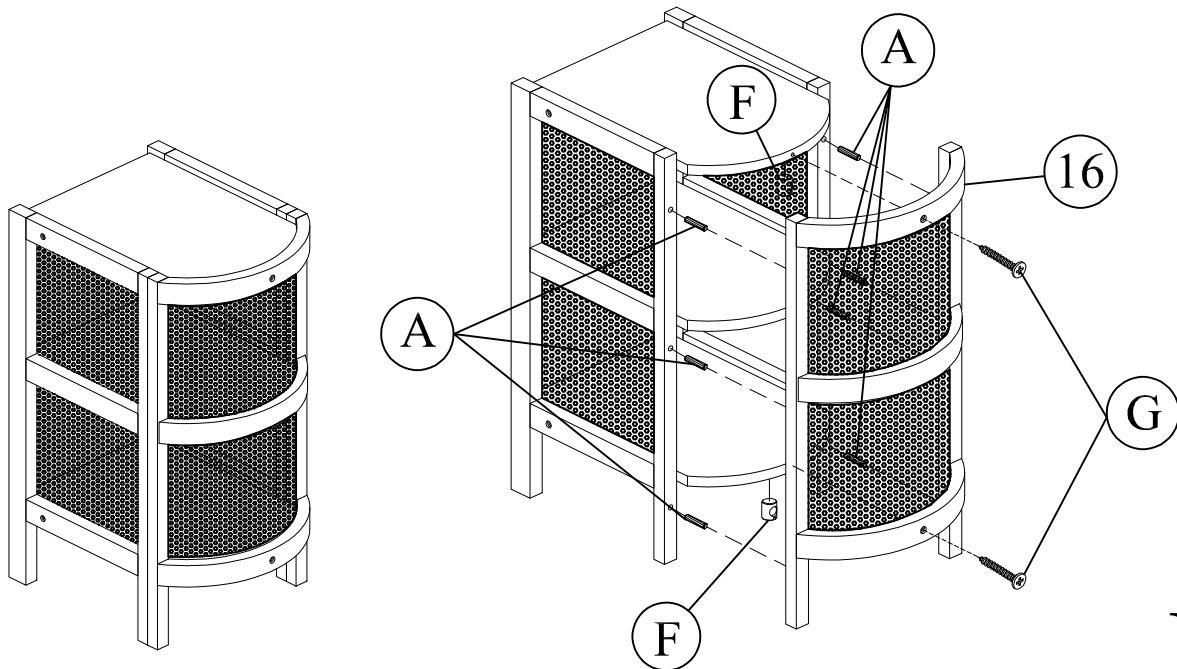
(G)		4pcs
(A)		2pcs
(F)		4pcs



**X2**

## STEP 12

<b>G</b>		4pcs
<b>A</b>		14pcs
<b>F</b>		4pcs



X2

## FINAL

