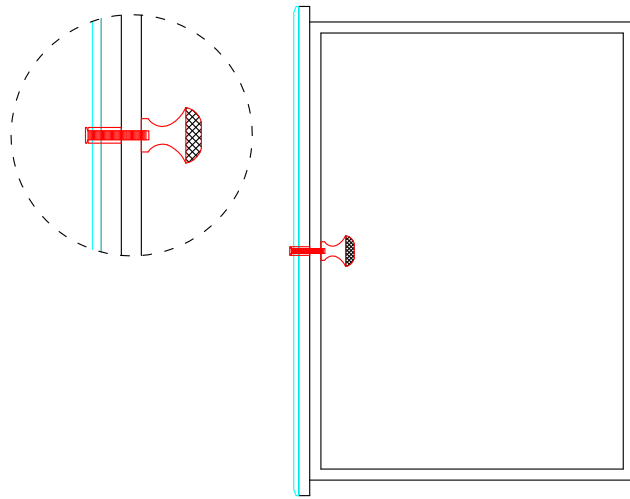


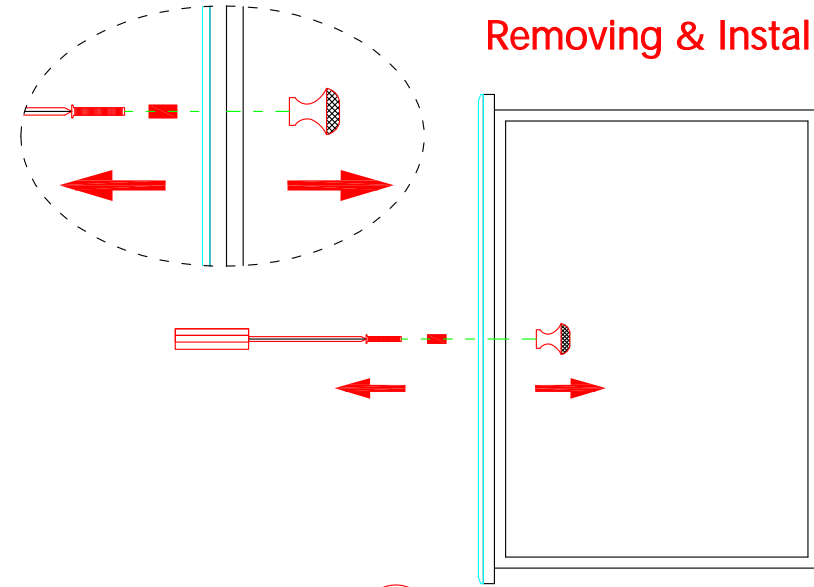
Installation Instructions

Upon Receiving Your Package: The pulls are placed inside the drawer.
Accessing the Pulls: Open the drawer to find them.



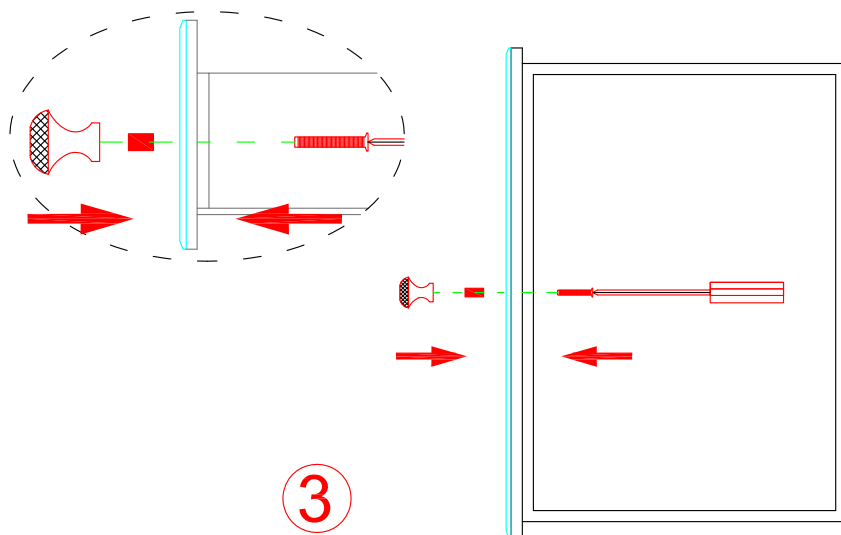
1

Removing & Installing



2

Notice: Rubber ring can prevent the glass cracking,
please put it into screw.

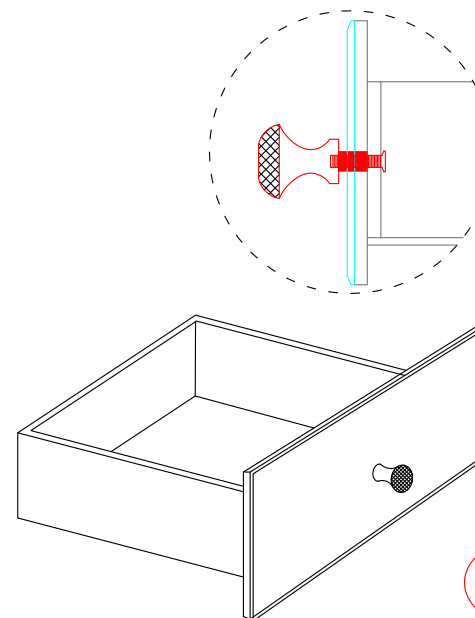


3

Important Tightening Note:

Since the drawer front is made of mirror material,
DO NOT overtighten the screws
when attaching the pulls.

Tighten them just enough so that
the pull feels secure and you can
gently pull the drawer open
without the pull coming loose



4