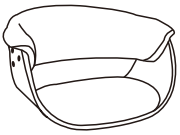

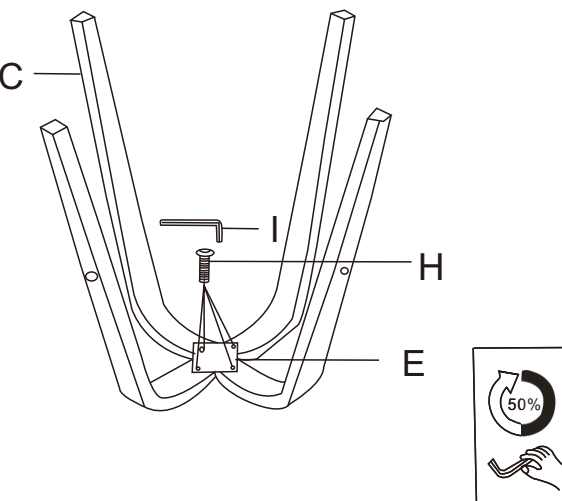
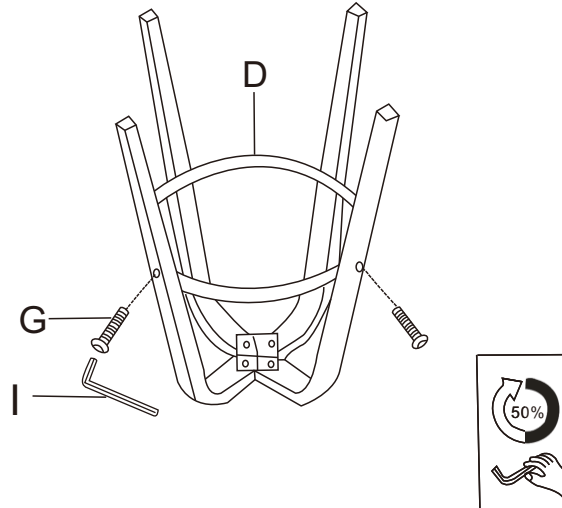
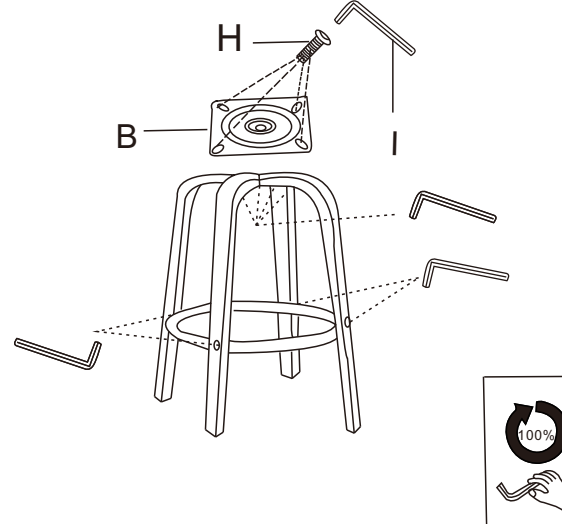
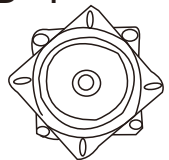
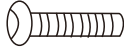
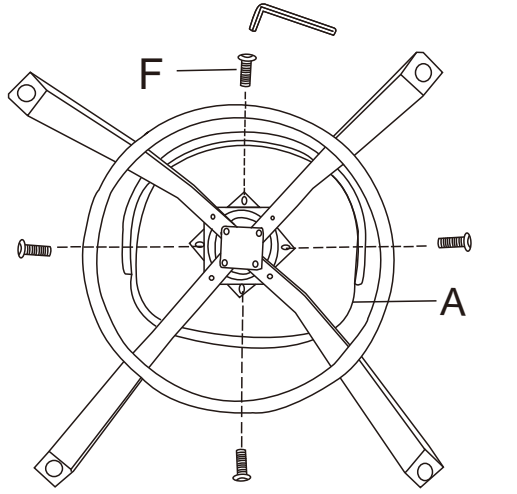
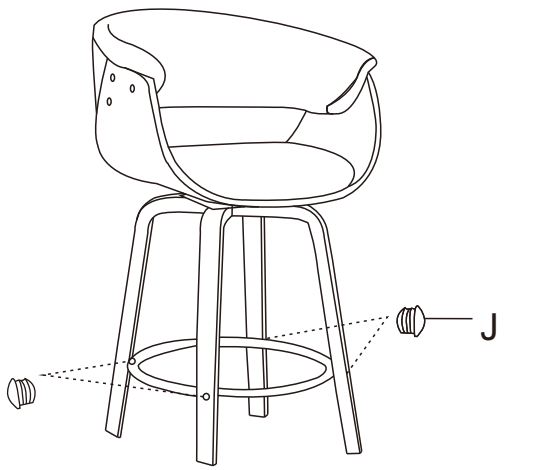
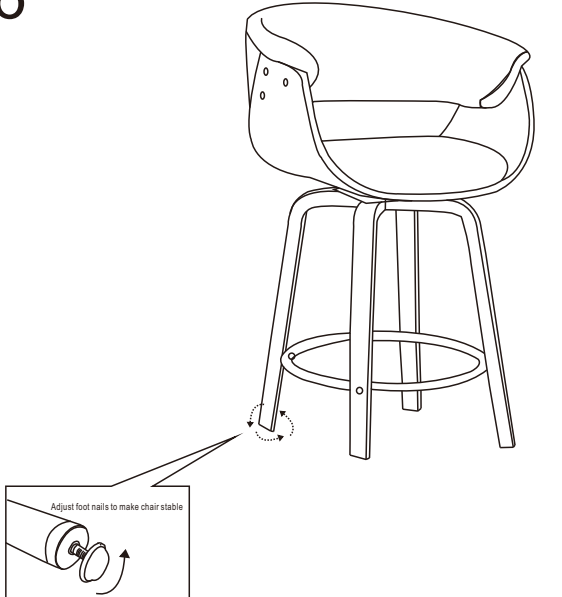
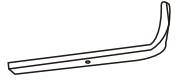



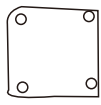
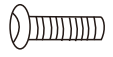


Please check that all fittings are available and in good condition before assembly

If you have any questions, please contact us, we will solve your problem

<b>A*1</b> 	<b>G*4</b>  M6*30MM	<b>1</b> Tighten the screws to 50% 	<b>2</b> Tighten the screws to 50% 	<b>3</b> Tighten the screws to 100% 
<b>B*1</b> 	<b>H*8</b>  M6*25MM	<b>4</b> 	<b>5</b> 	<b>6</b> 
<b>C*4</b> 	<b>I*1</b> 	<b>D*1</b> 	<b>J*4</b> 	<b>E*1</b> 
<b>F*4</b>  M6*20MM				