


INSTALLATION INSTRUCTIONS

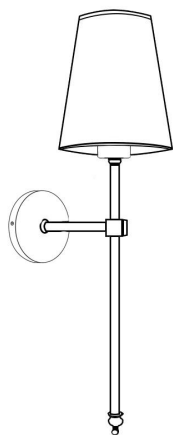
Dear buyers: Thank you for buying this product, please read the instructions carefully before using



1. Please strictly follow the instructions for Installation.
2. For replacement parts, please do not arbitrarily retrofit by yourself.

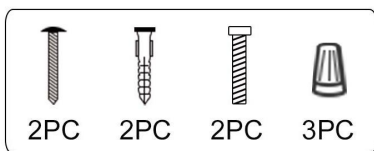
IMPORTANT!

1. Always shut off power to the circuit before starting installation work
2. Installation is to be carried out by a qualified electrician
3. This lamp must be permanently wired into the electric system
4. Please do not presume to retrofit or replace fittings to avoid damage lamps or prevent accidents



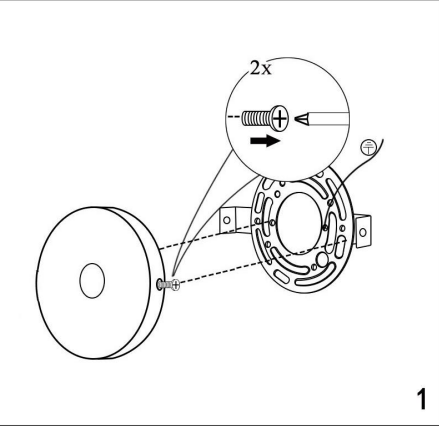
If you found the lamp won't illuminated after wire installed and inserted a E26/E27 light bulb, please try to raise up the internal metal contactor in the socket, please make sure the power was disconnected before operated.

Accessories

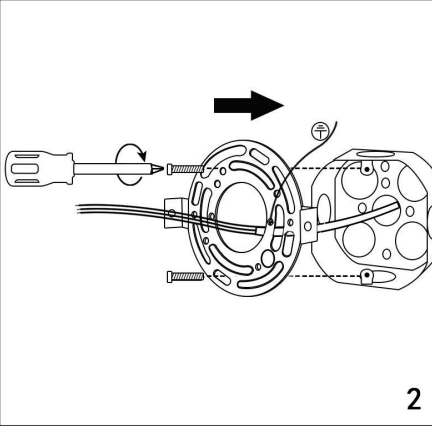


Note: All accessories based on actual items received.

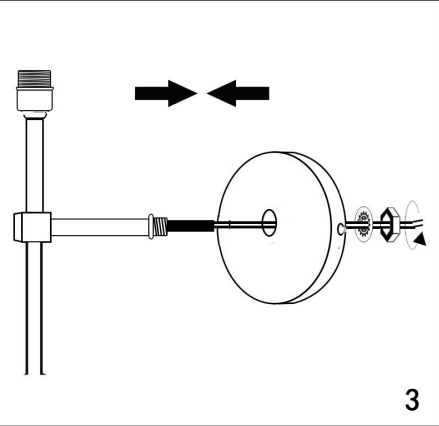
1



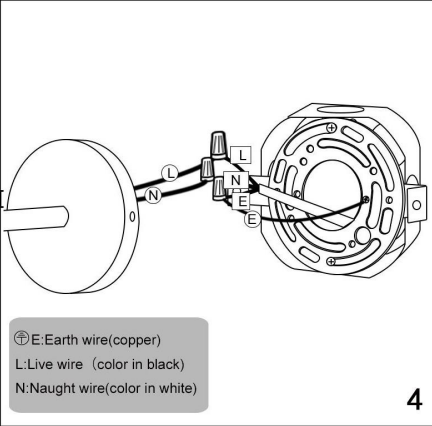
2



3

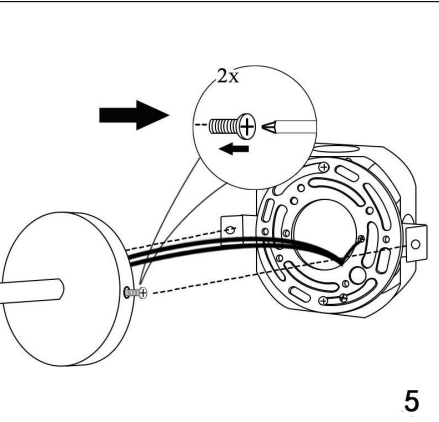


4



⊕E: Earth wire (copper)
 L: Live wire (color in black)
 N: Naught wire (color in white)

5



6

