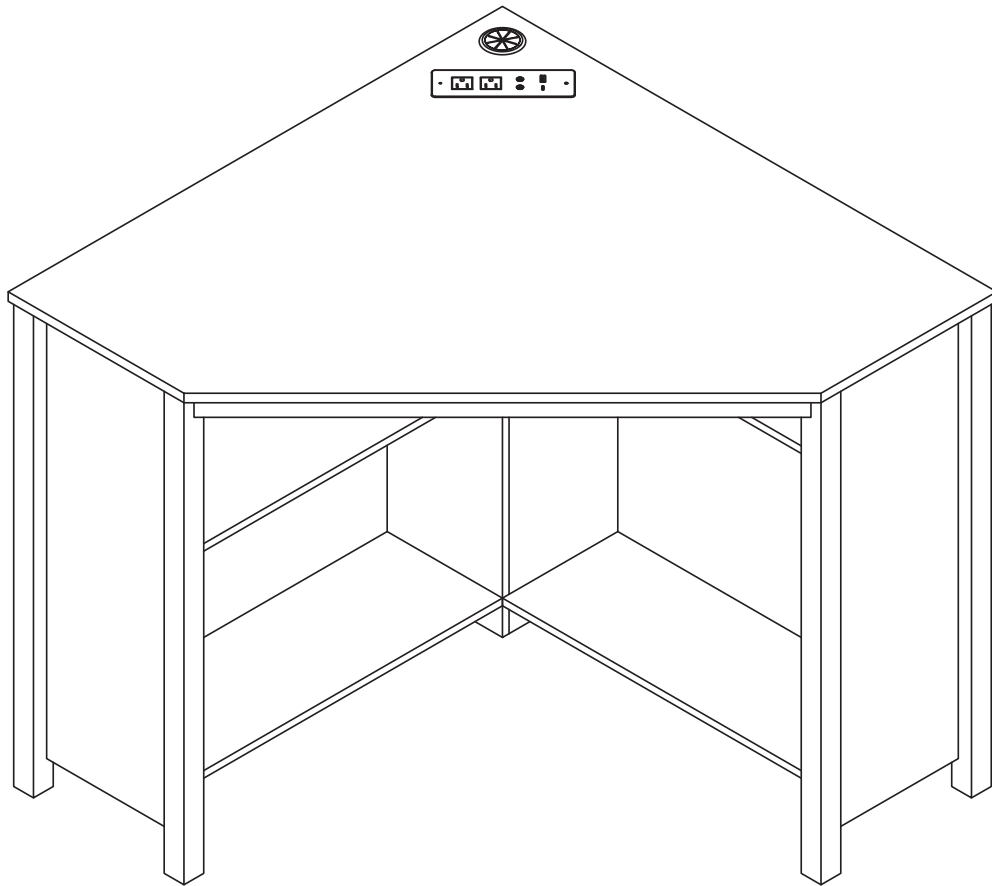
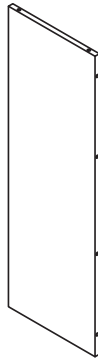


Product Installation Instructions





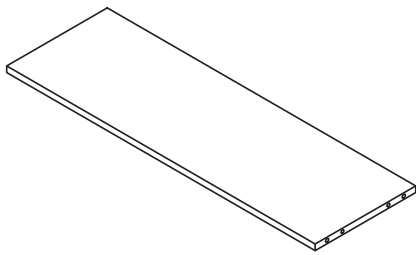
Ax1



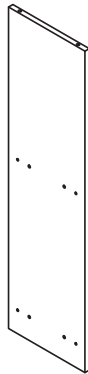
Bx1



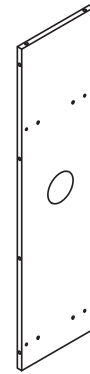
Cx1



Dx4



Ex1



Fx1



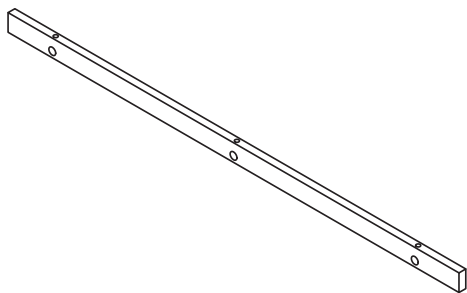
Gx1



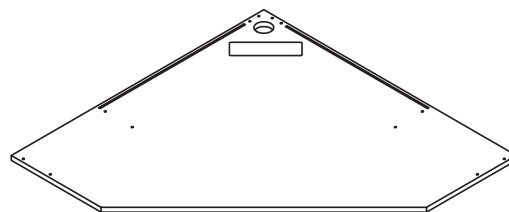
Hx1



Ix1

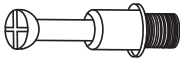

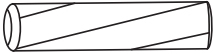



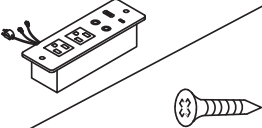


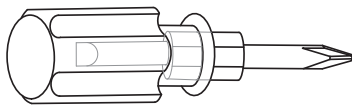
Jx1



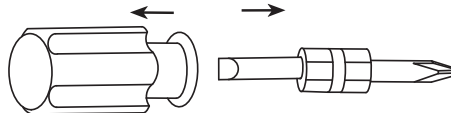
Kx1

Accessories list

①		Two In One Screw (6x28mm)	47pcs +4pcs
②		Two In One Nut (10x12mm)	47pcs +4pcs
③		Wood Chipping (6x30mm)	16pcs +2pcs
④		Wire cover	2pcs
⑤		Non-slip pads (36x36x2mm)	4pcs +1pcs
⑥		Non-slip pads (50x10x2mm)	2pcs +1pcs
⑦		Power Socket & Screw (3x10mm)	1pcs 2pcs +1pcs

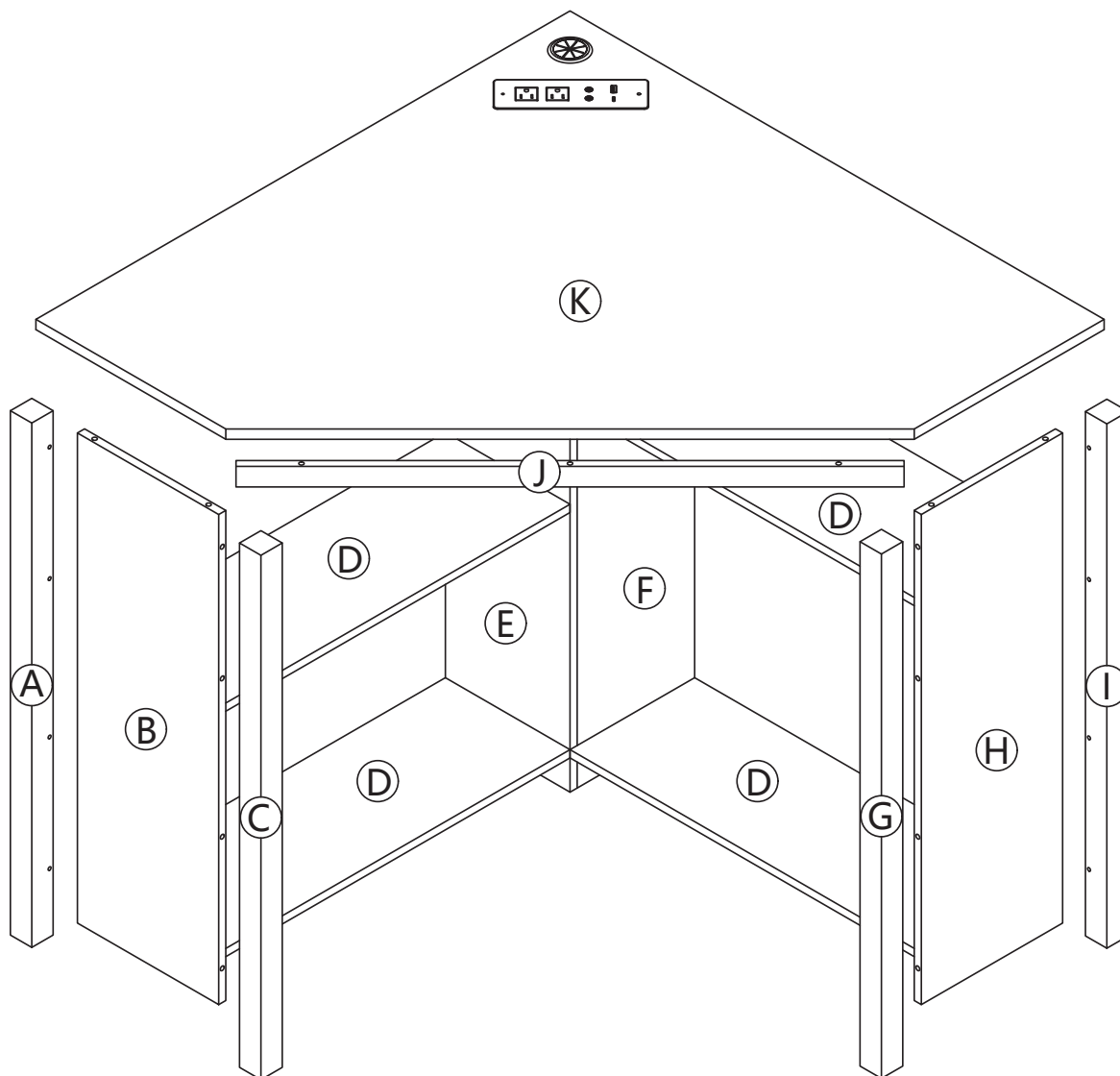


1pcs



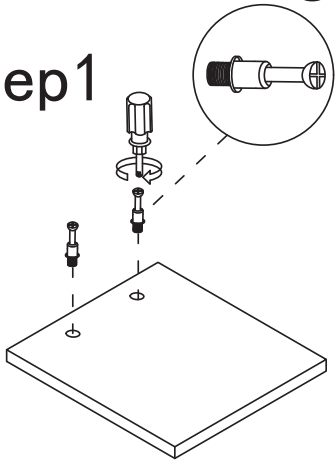
Double-head screwdriver, use as required

Product structure decomposition

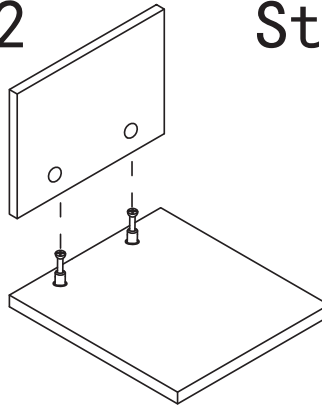


Use parts ① and ②

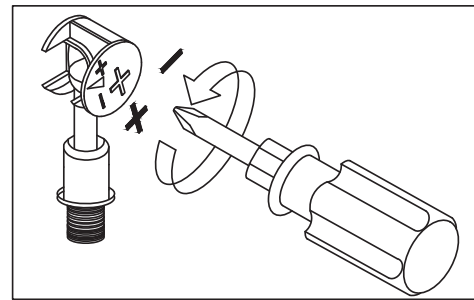
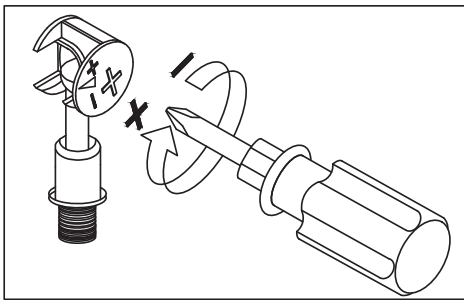
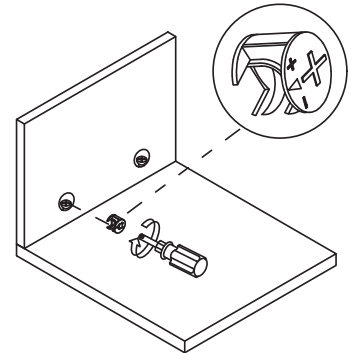
Step1



Step2



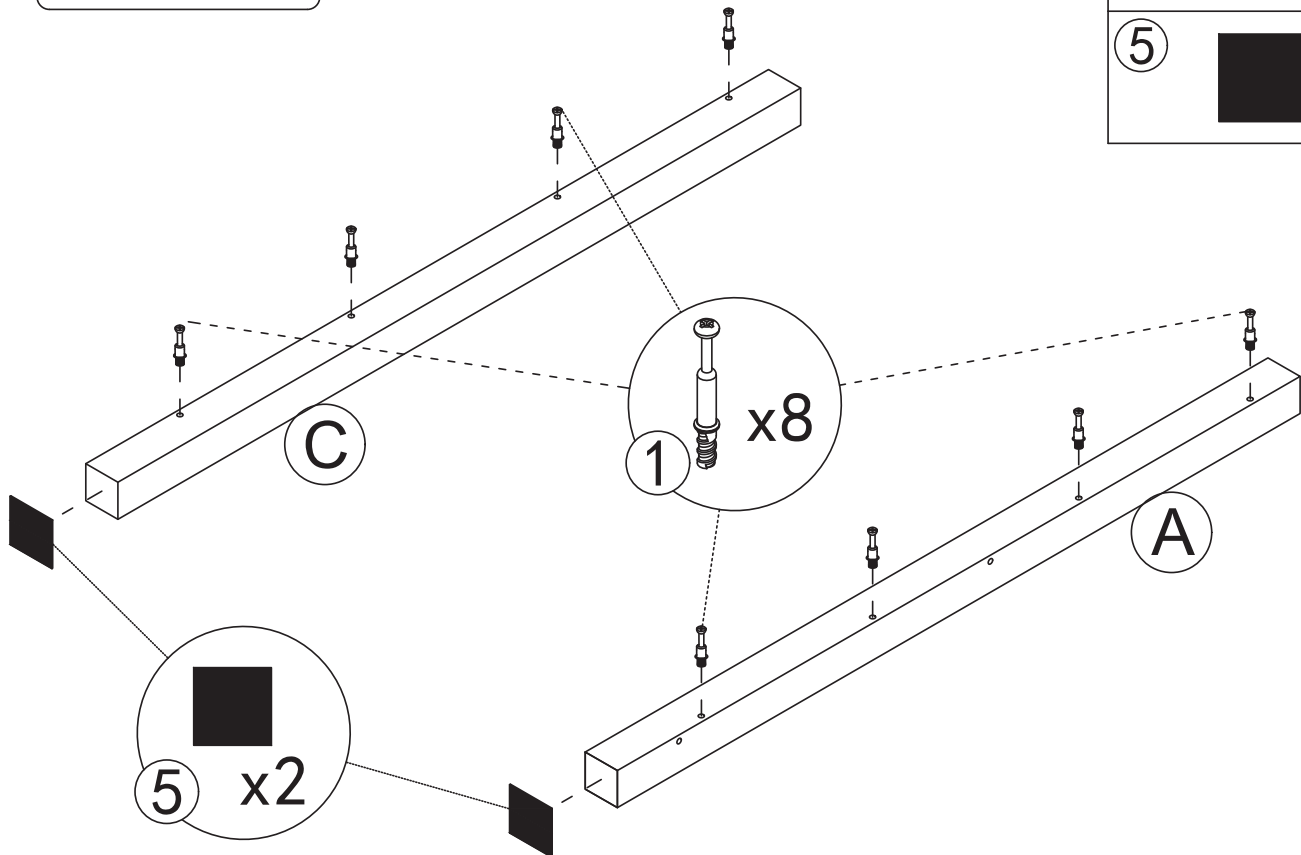
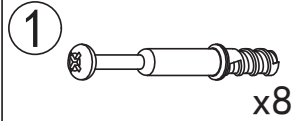
Step3



Use a screwdriver to lock in the direction of the "+" sign

Disassemble along the direction of "-" sign

Step 1

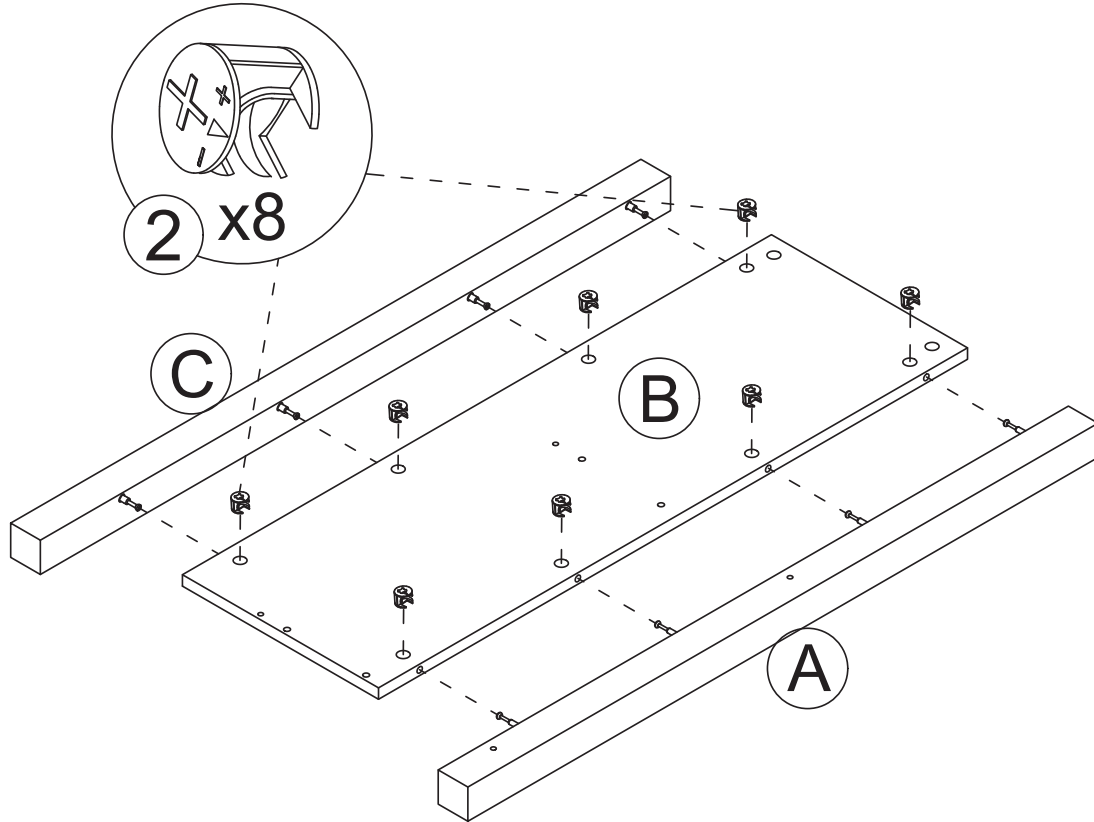


Step 2

2

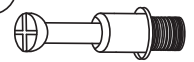


x8



Step 3

1

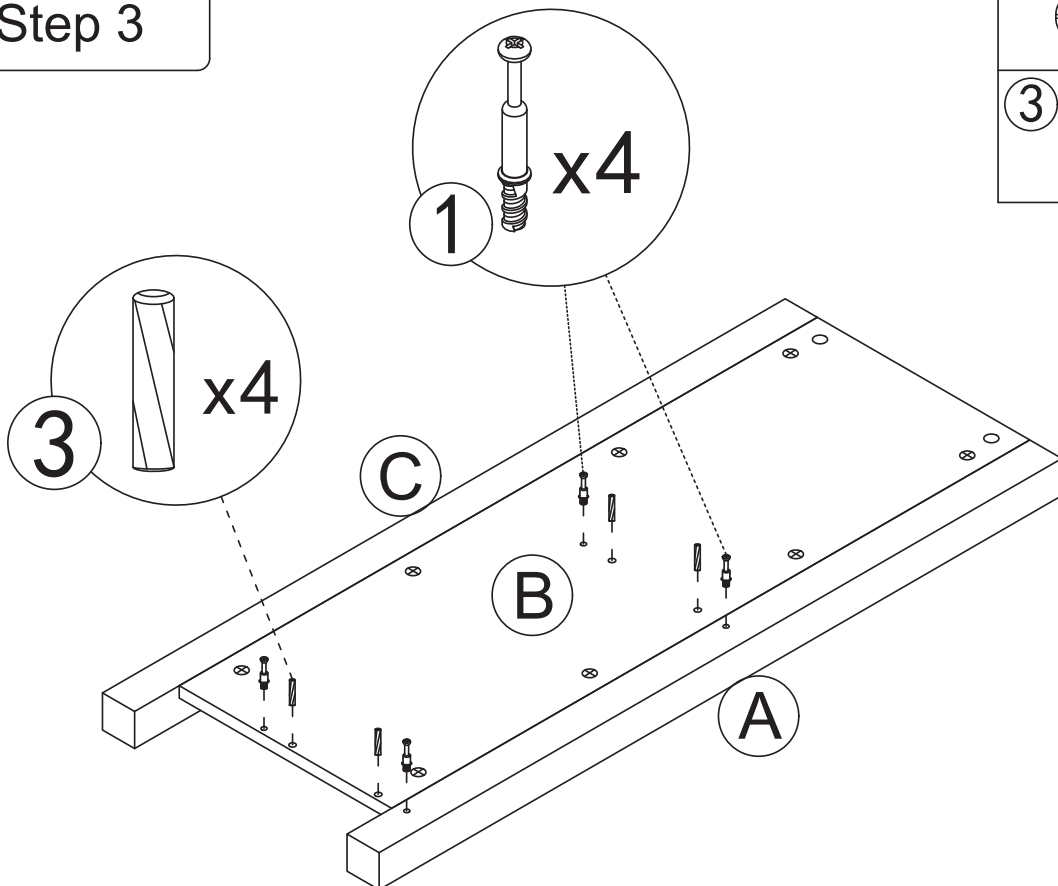


x4


3




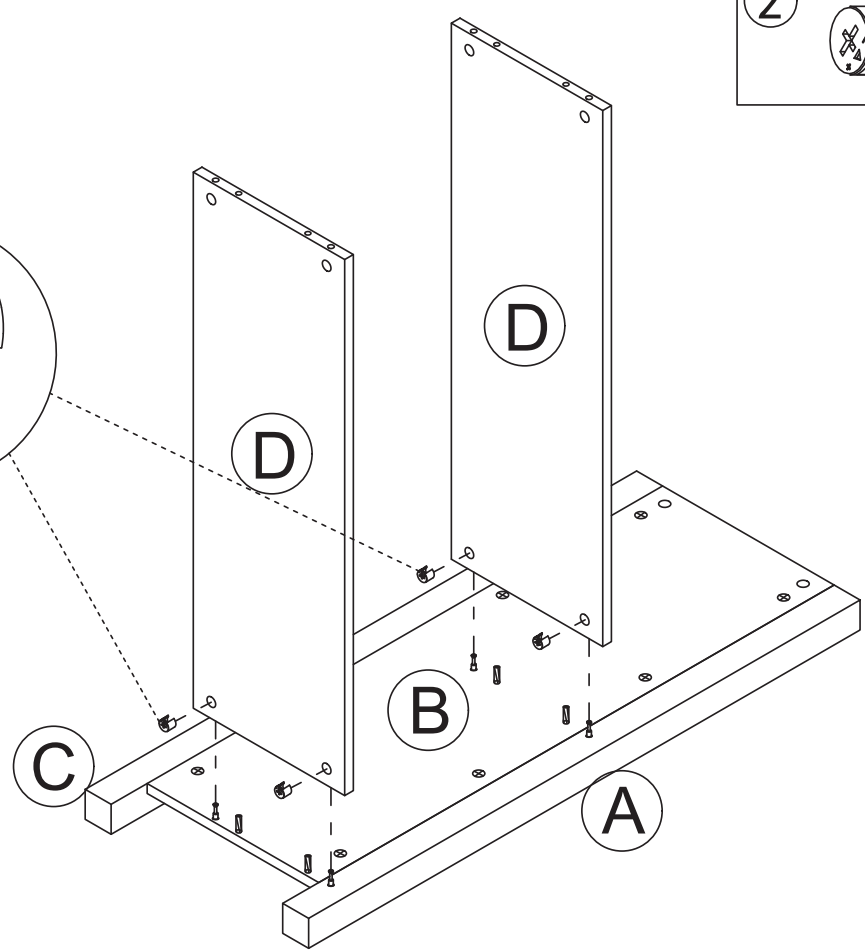
x4




Step 4


2  x4

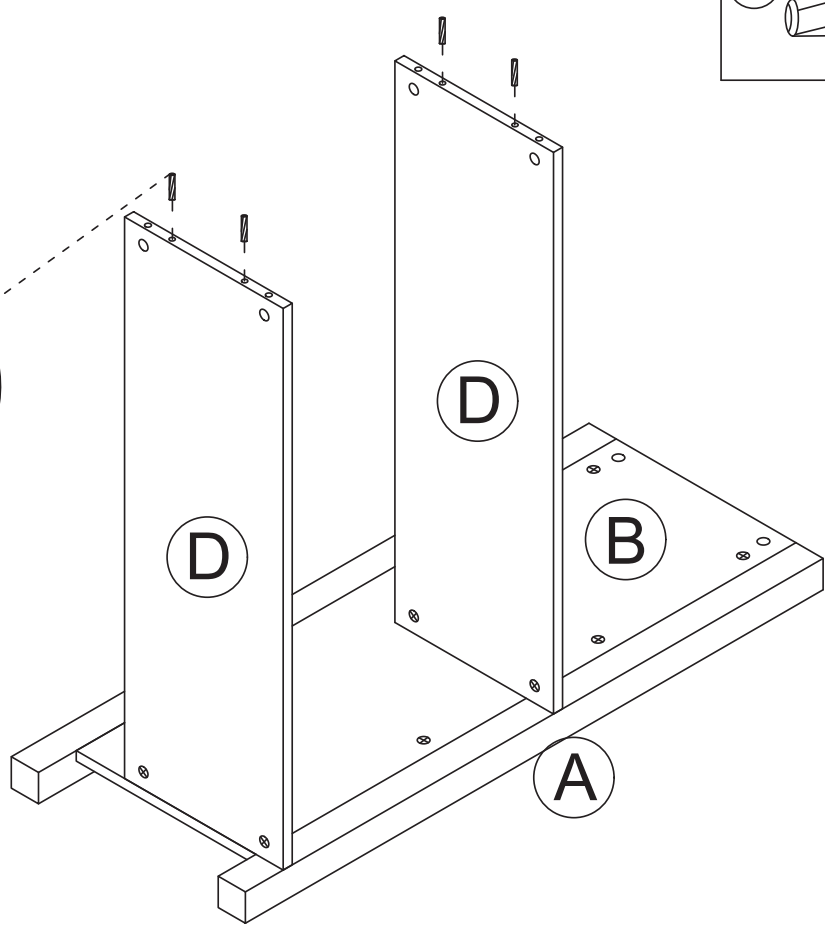
2  x4



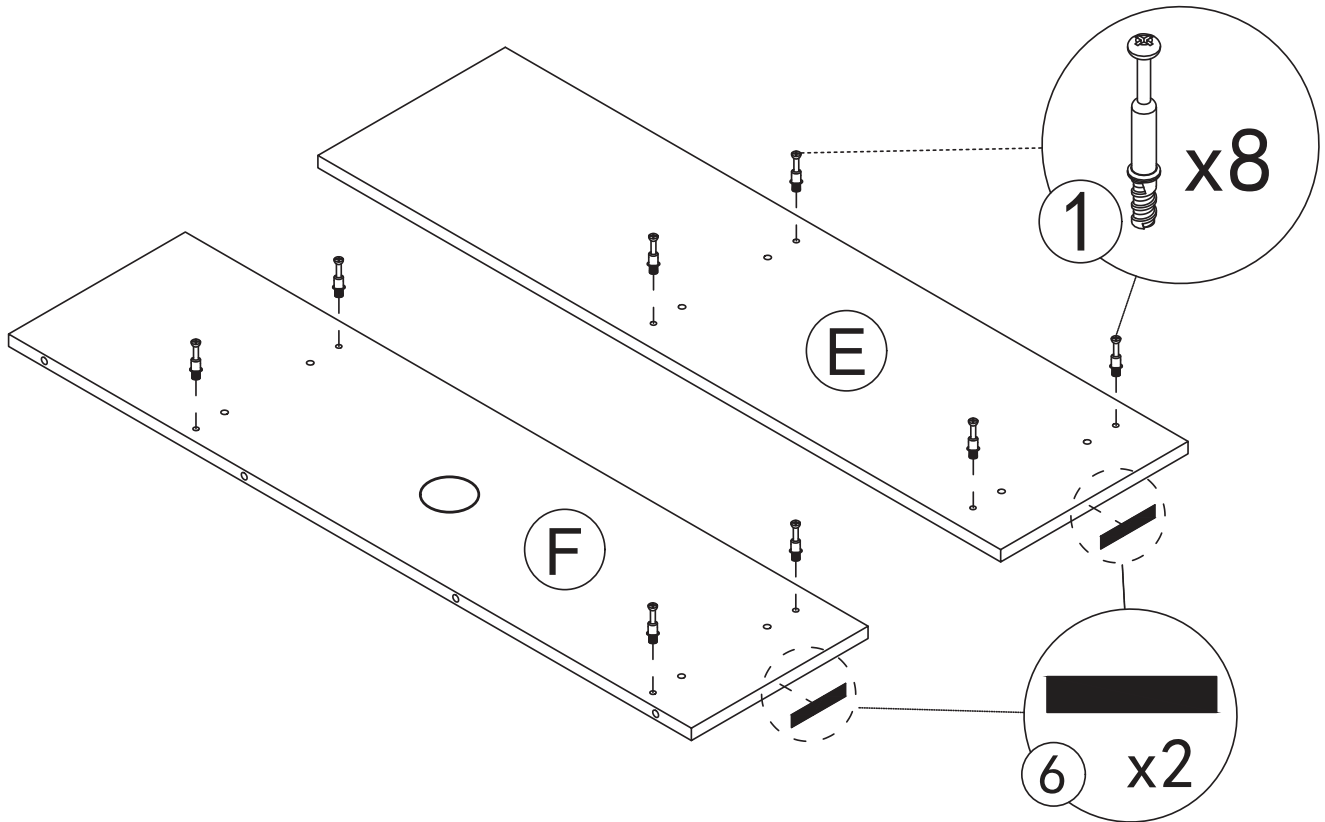
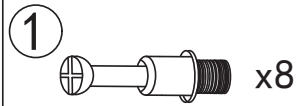
Step 5

3  x4

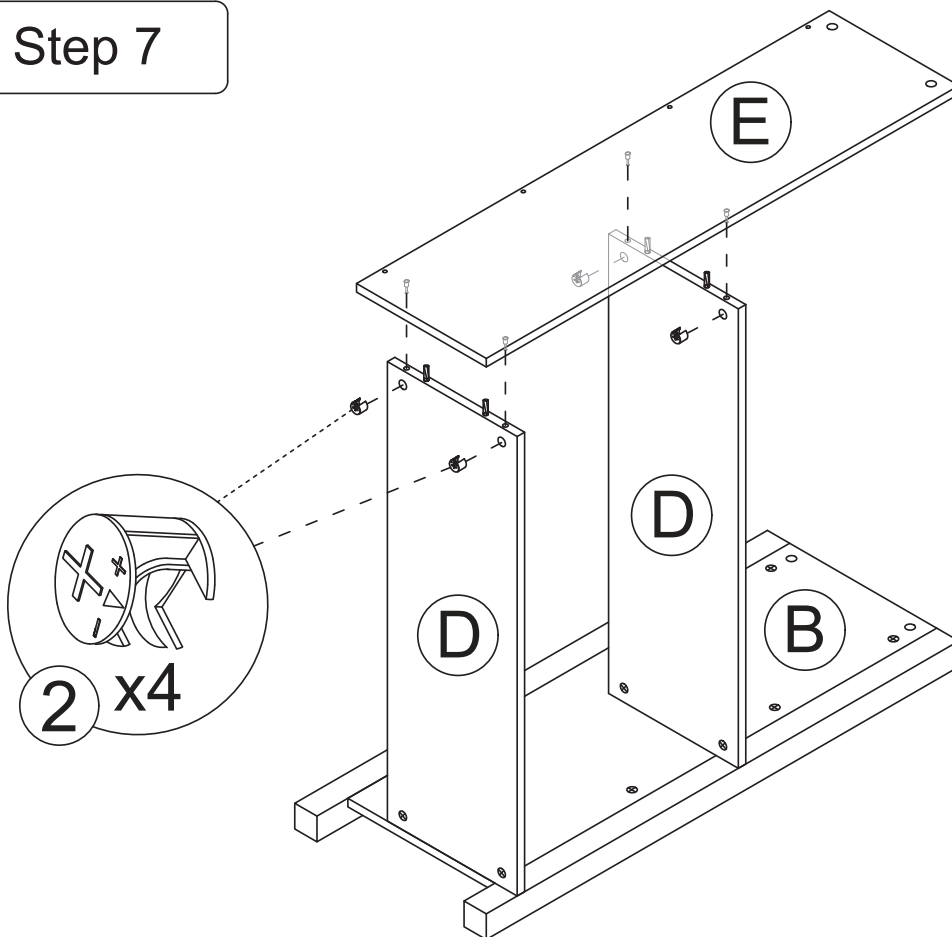
3  x4



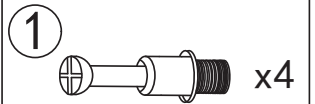
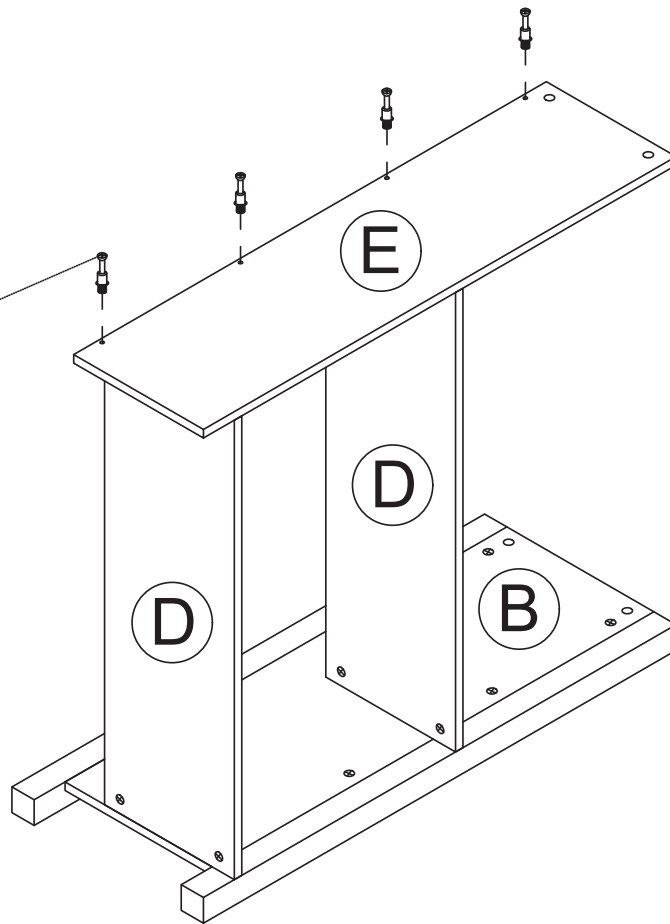
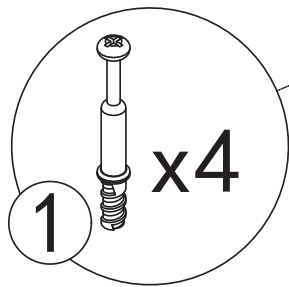
Step 6



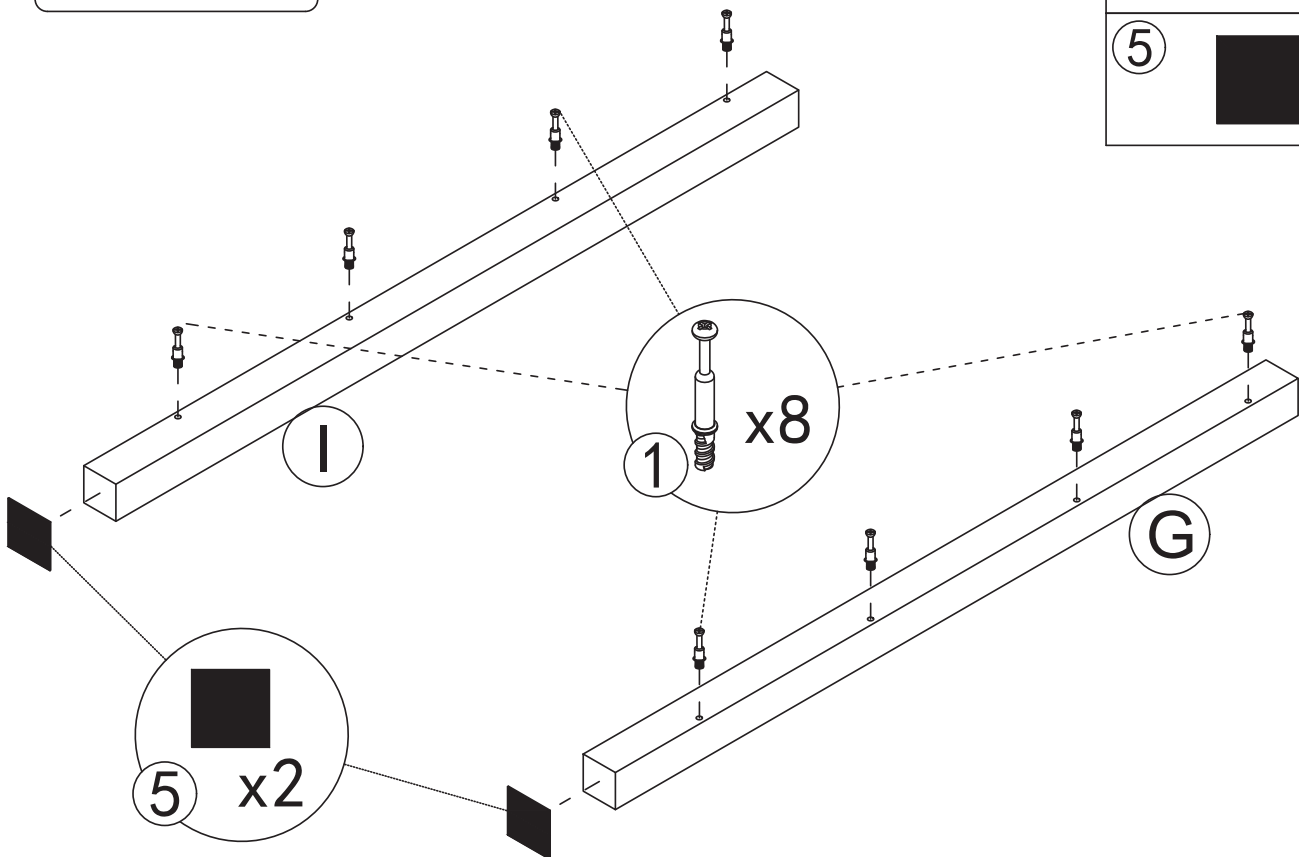
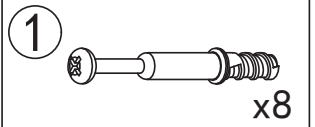
Step 7



Step 8



Step 9

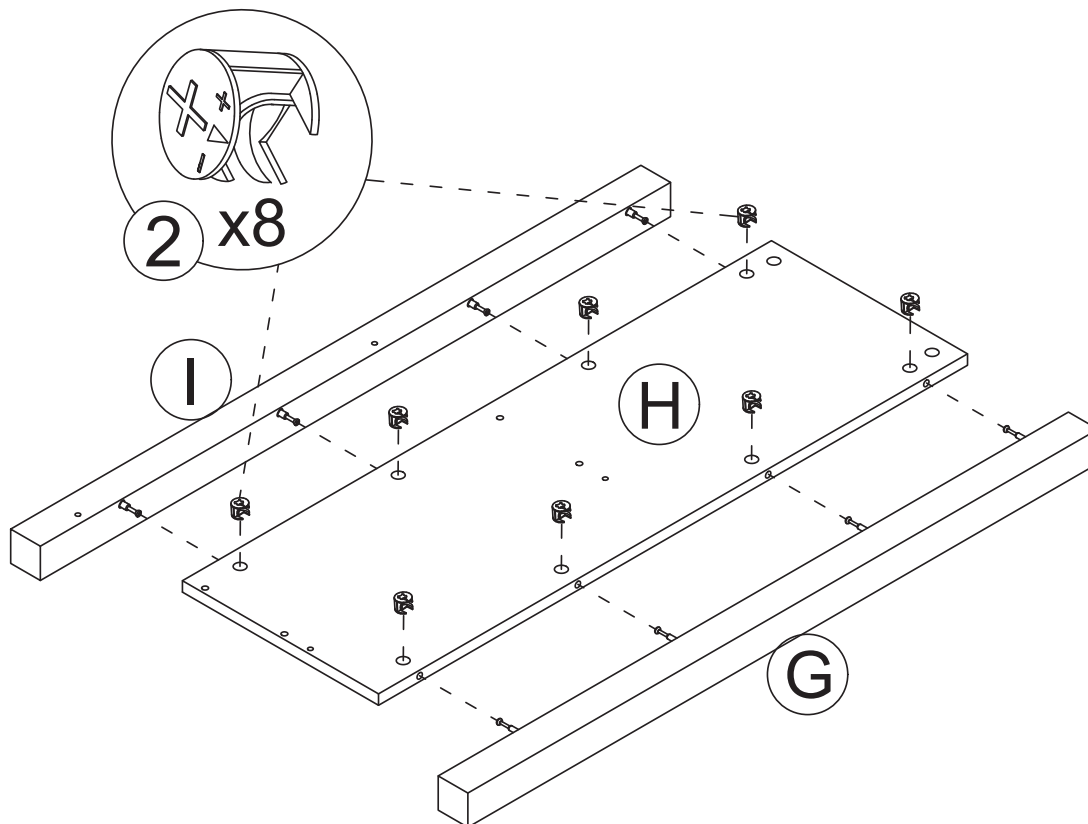


Step 8

2

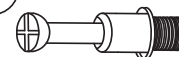


x8



Step 9

1

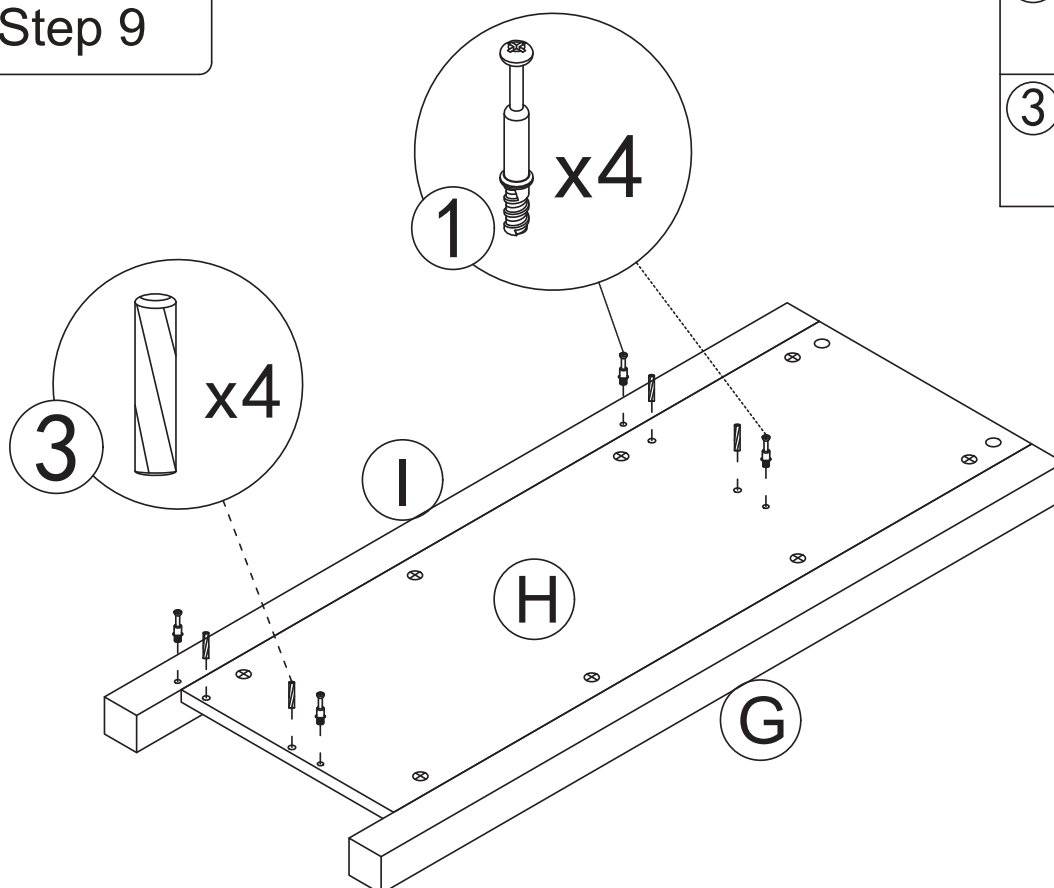


x4

3




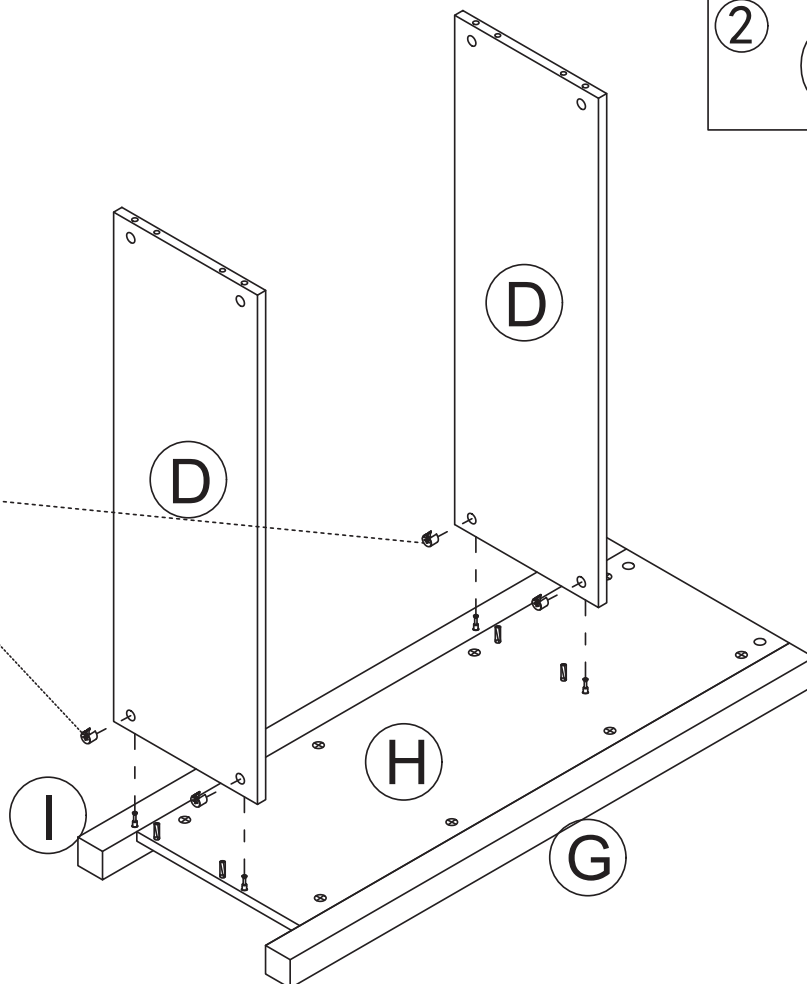
x4




Step 10


2  x4

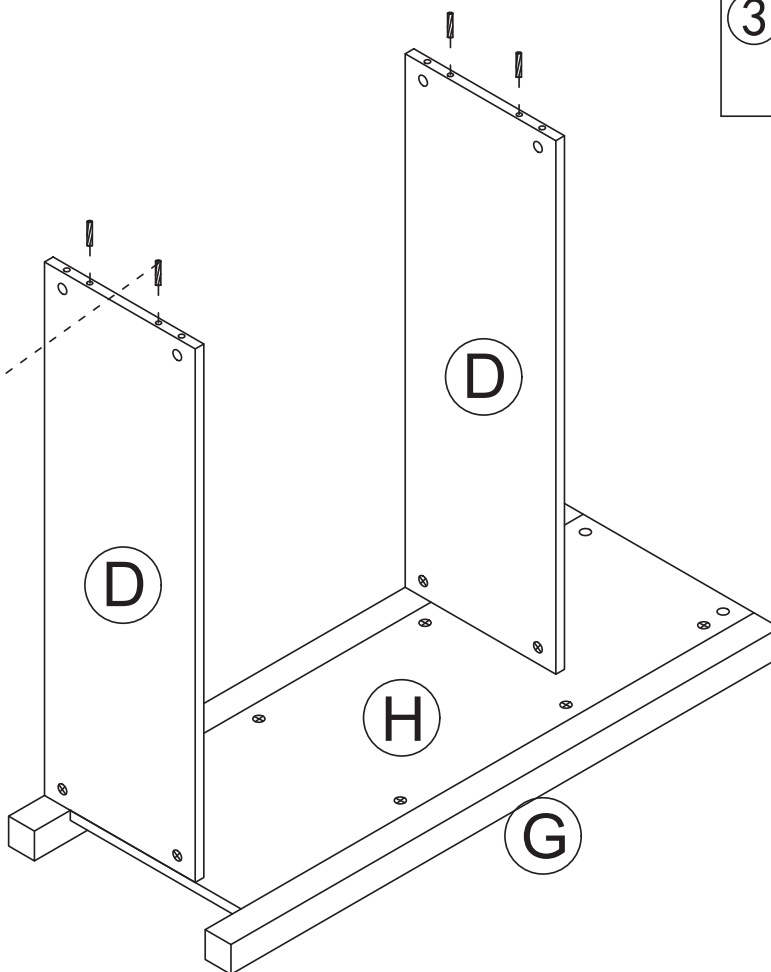
2  x4




Step 11


3  x4

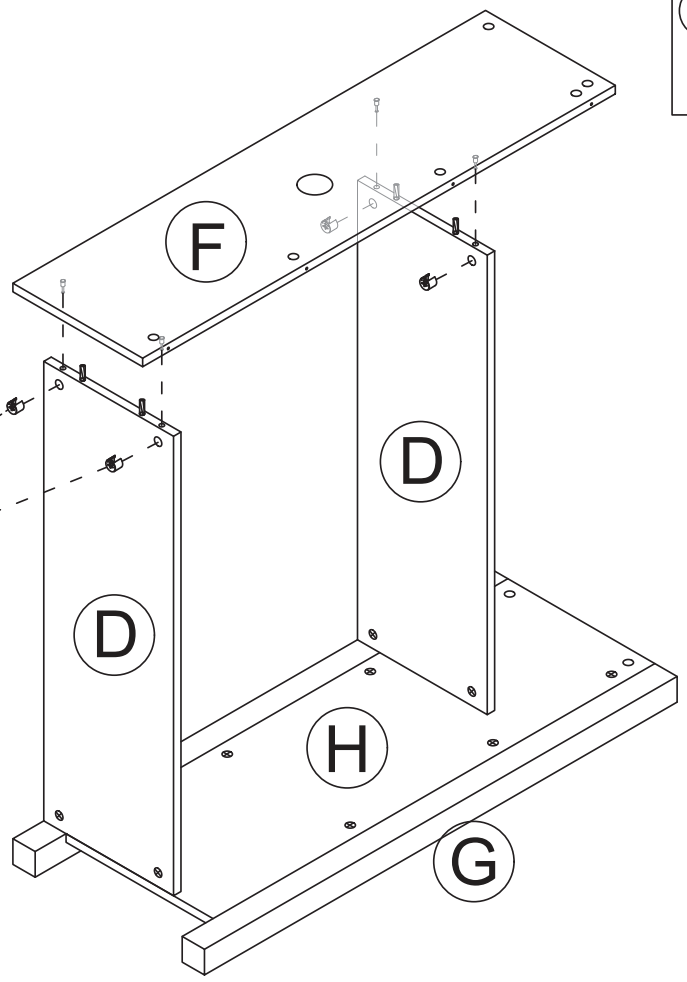
3  x4




Step 12

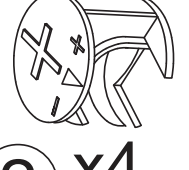
2  x4

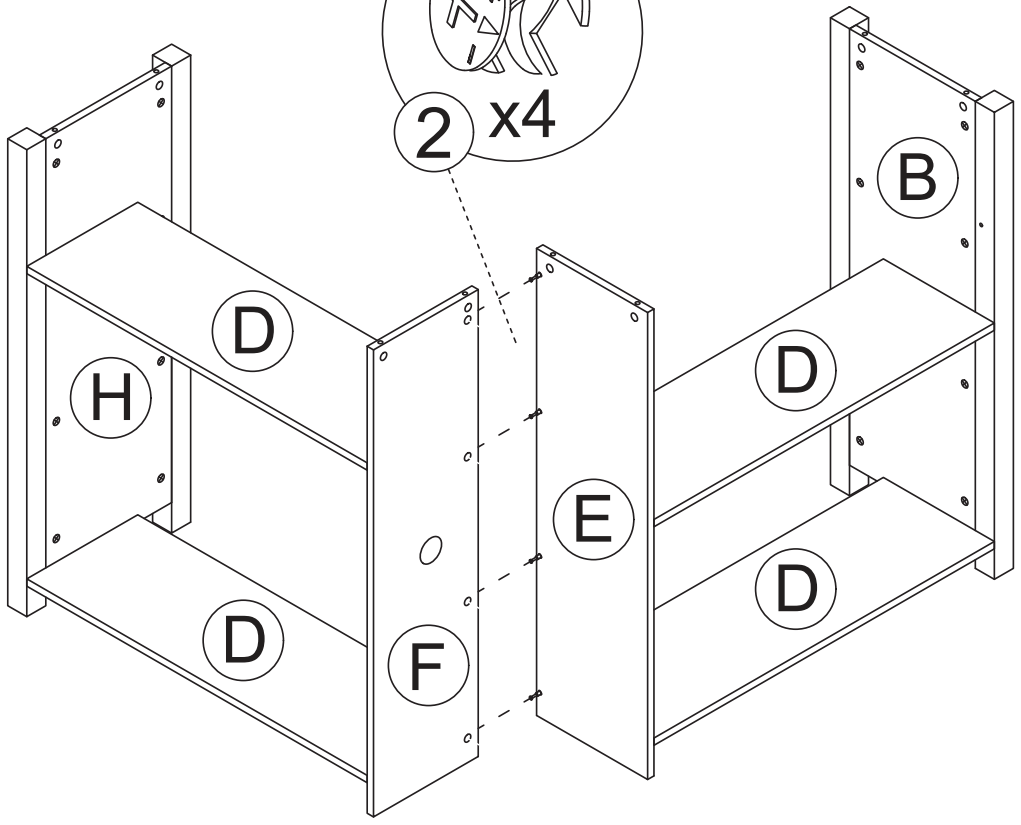
 2 x4



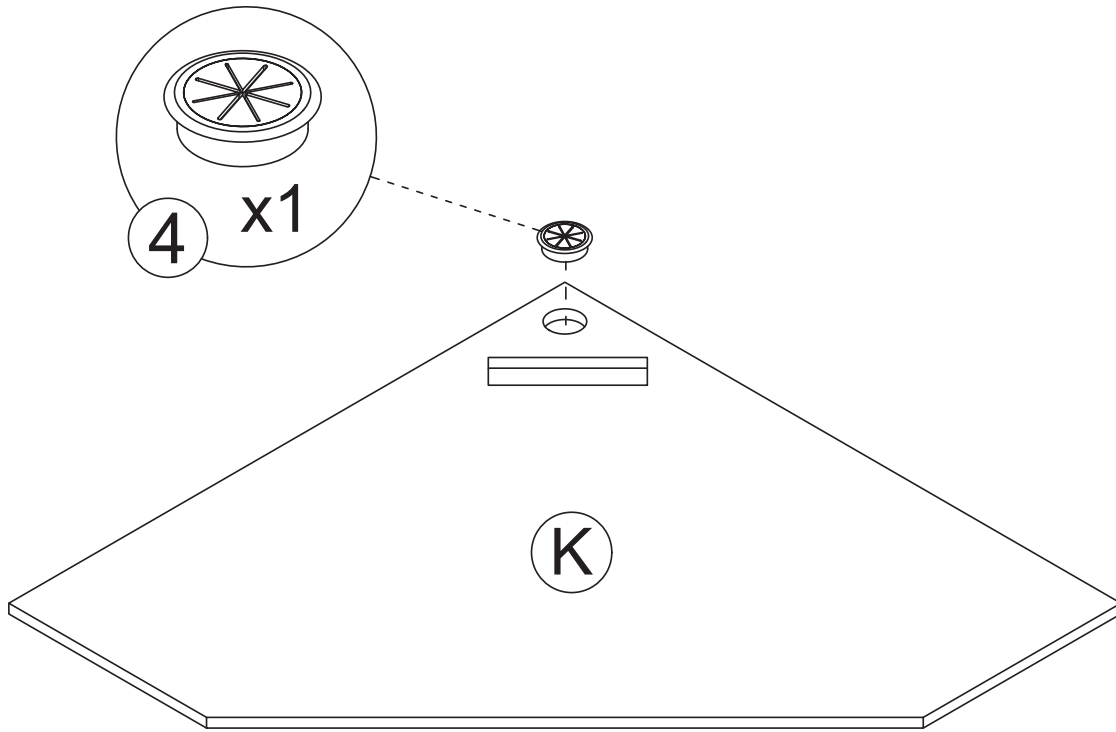
Step 13

2  x4

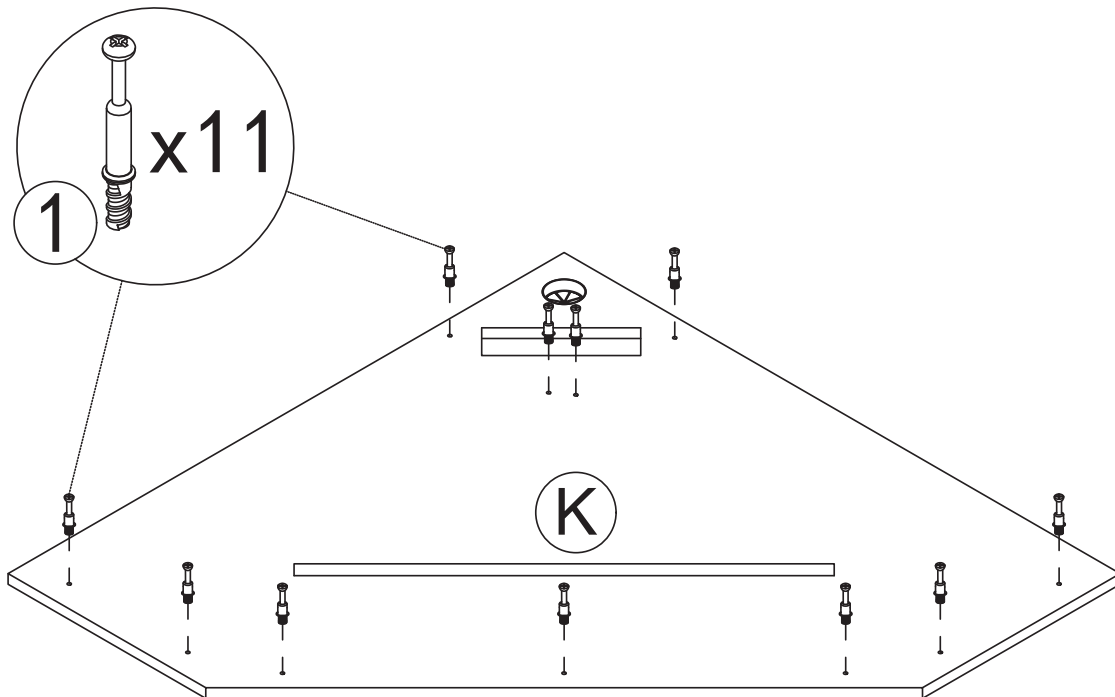
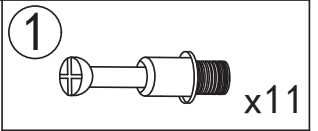
 2 x4



Step 14



Step 15

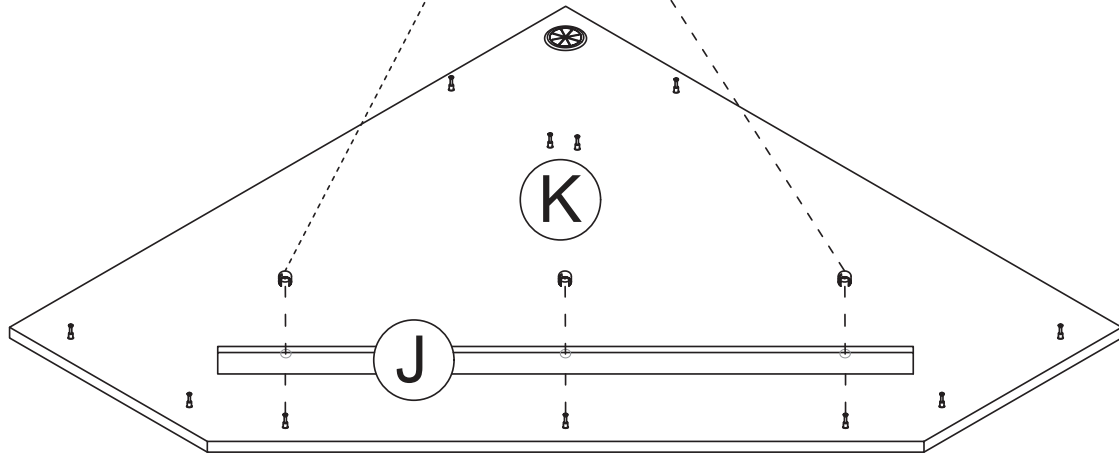
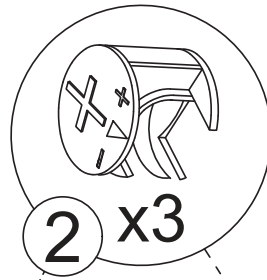


Step 16

2



x3

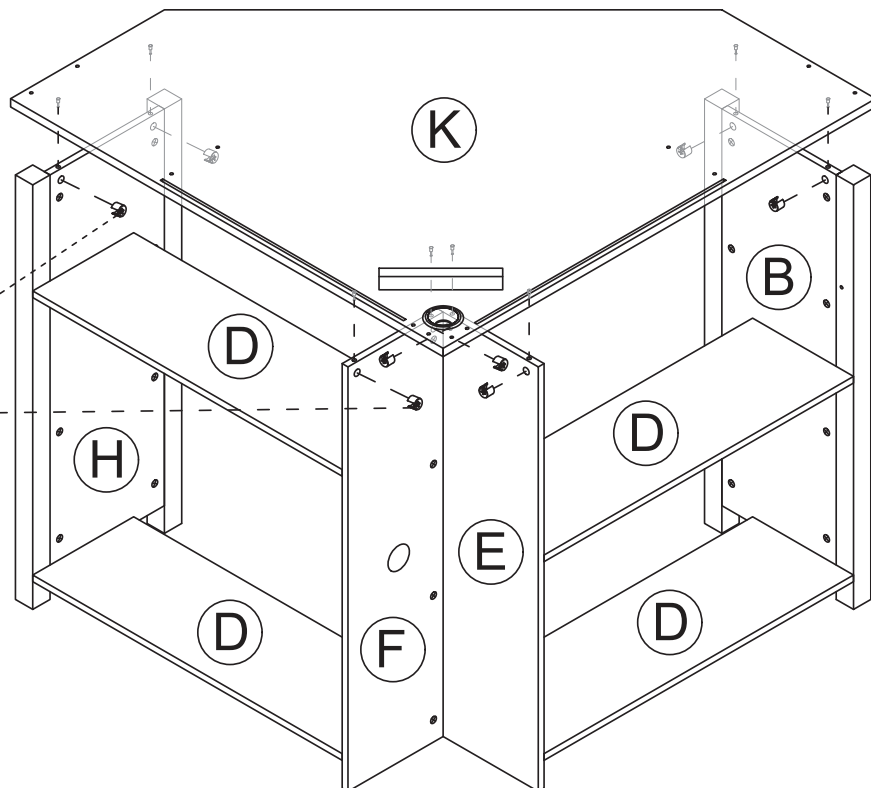
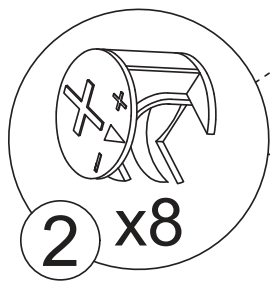


Step 17

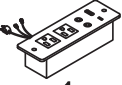

2

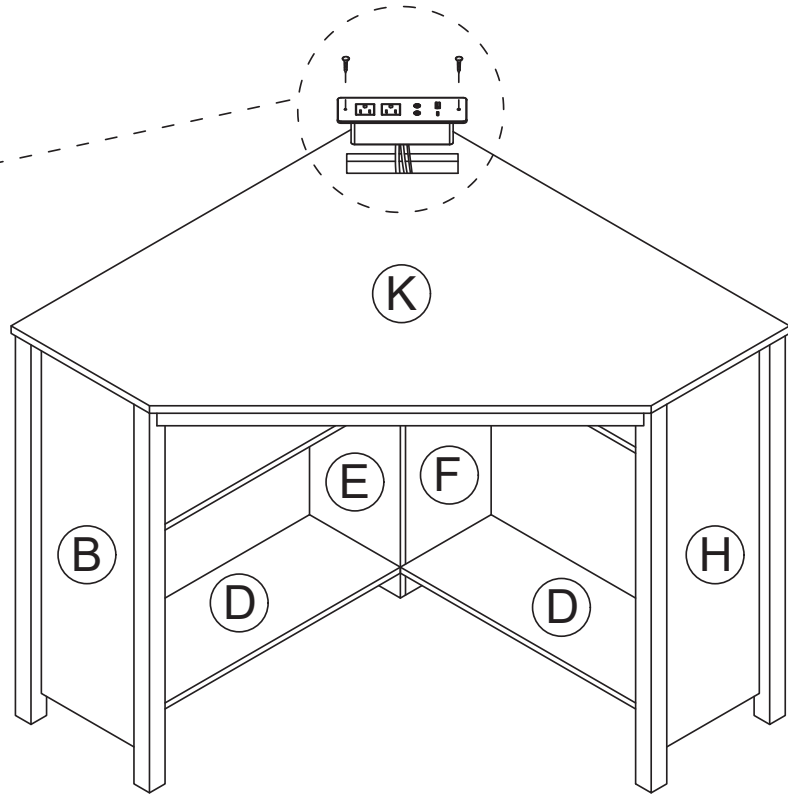
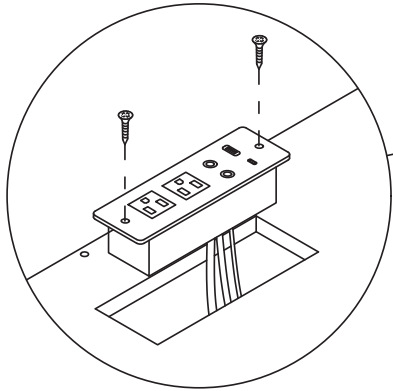


x8

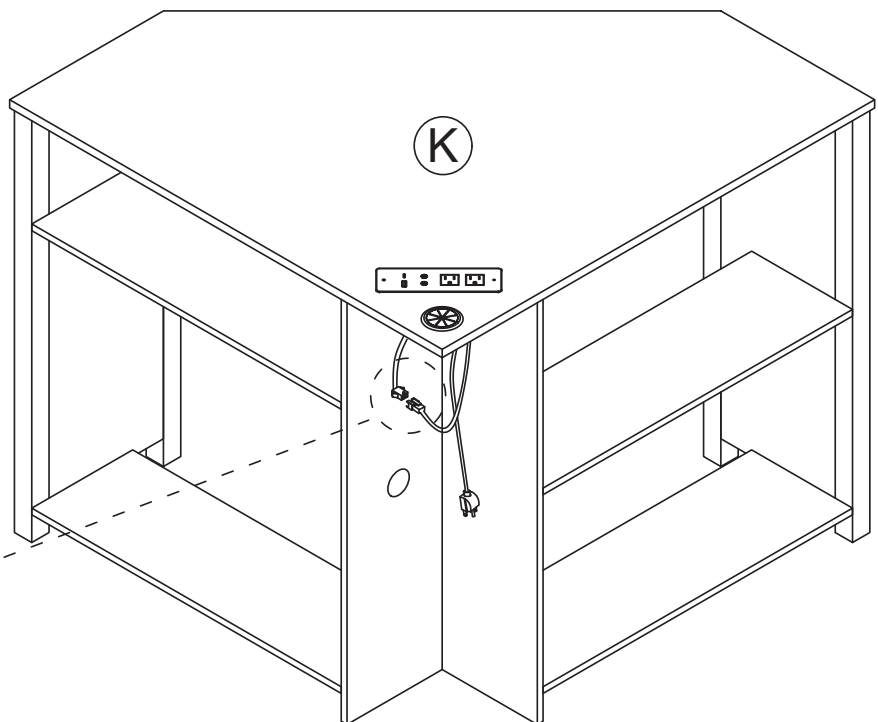
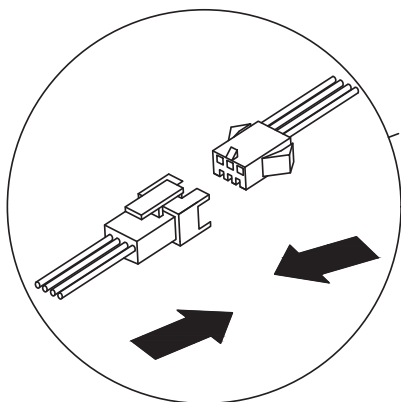


Step 18

7  
x1 x2



Step 19





User's Guide

Thank you for purchasing this product.

To use this product, please connect it to a power source.

Please use if the product works normally after connecting to power.

Introduction

The box is an intelligent controller. It has 1 USB output port 1 Type-c port and can distribute the current output up to 5V DC-2A. With 2 touch buttons, it can turn. ON/OFF the light, change light colors, and adjust the light luminance.

Operation



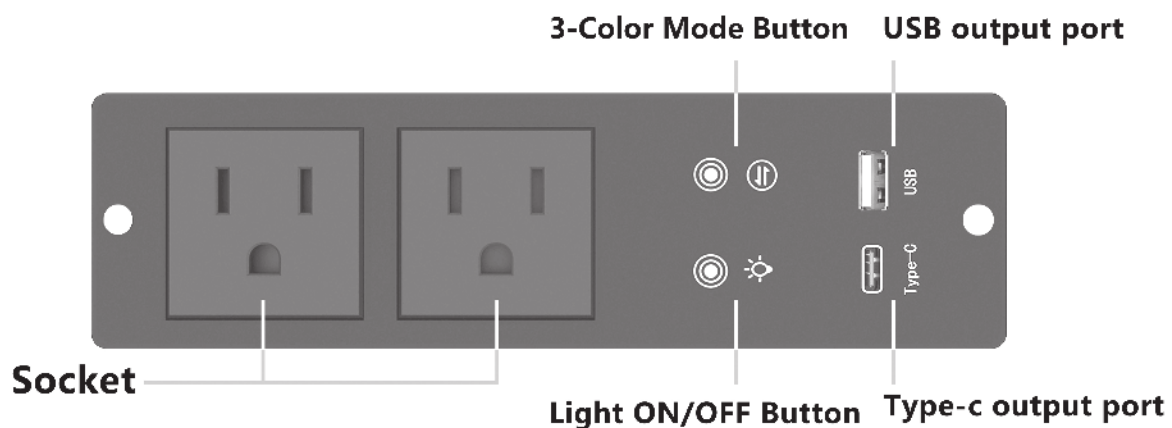
This touch button controls the on/off of the light

Short touch -> lighting on -> short touch -> lighting off.



This touch button controls the color switching and brightness adjustment of the light

1. It can only be used when the light is on
2. Offering 3 different colors to choose from. Simply tap to cycle through the options.
3. Long touch -> adjust the luminance.



ATTENTION PLEASE

1. If there is no touch response suddenly, Re-plug the power to reset the touch static electricity.
2. If you have any questions when installing, please feel free to contact us. Thank you.