

WARNING: Risk of Shatter Associated with Glass Furniture

Please note that in rare instances, glass furniture that is damaged by chips or scratches may break, seemingly of its own accord. Damage to the glass (not always visible) can get worse over time until it reaches a critical point when it may shatter. In the event of damage, this product is designed to shatter into lots of small granular pieces rather than large shards. This is a safety feature to reduce the risk of injury.











To reduce the risk of damage, we recommend the following:

- During assembly do not lay the glass directly onto hard or rough surfaces. Lay the glass on a blanket or cardboard.
- When lifting or moving the product, ask for someone to lend a hand. Trying to move a product on your own can lead to accidents.
- Do not use the furniture if any parts are missing or broken.
- Do not place very hot or very cold items directly on the glass surface; we recommend using a trivet. Extreme temperature differences over small areas can cause damage, which could in turn lead to shattering.
- Do not sit or stand on the glass surface.
- Do not strike the glass with hard or pointed items, or use the glass as a chopping surface.
- Do not drag rough or heavy objects over the top of the glass.

Assembly Instructions

Caution : You must read this before you proceed

Care & Maintenance

- ⊘  ● Not for commercial use. For residential use only.
- ✓  ● Furniture may scratch floors. We recommend using furniture pads to protect your floors.
- ⊘  ● Do not put hot items directly on furniture surface.
- ⊘  ● Do not clean furniture with harsh cleansers or polish.
- ⊘  ● Do not place furniture under direct sunlight.
- ⊘  ● Do not place furniture near heating or cooling vents.
- ⊘  ● Do not write on furniture without a padded barrier to protect the surface.
- ⊘  ● Do not place furniture outside . For indoor use only.
- ⊘  ● Stains may be removed with mild soap solution and damp cloth.
- ⊘  ● Children should not climb or jump on the furniture.



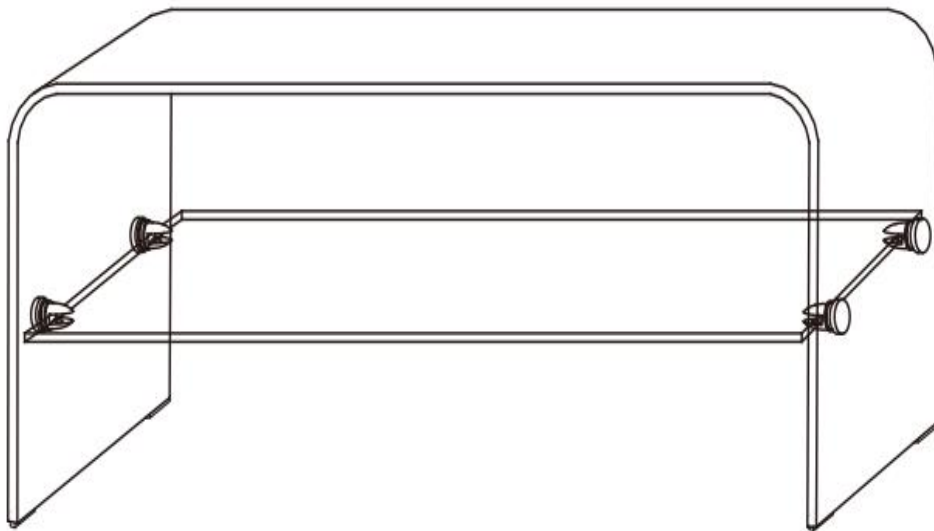
- Dust and pick-up spills using a clean, non-colored, lint-free cloth.

Please look in Red hardware pouch for coffee table shelf assembly.



Assembly Instructions

Caution : You must read this before you proceed.



TV STAND



Parts List

| No. | Picture | Description | Qty |
|-----|---|-------------------------------|-----|
| A |  | TV Stand Main Frame (Glass) | 1 |
| B |  | Glass Shelf | 1 |

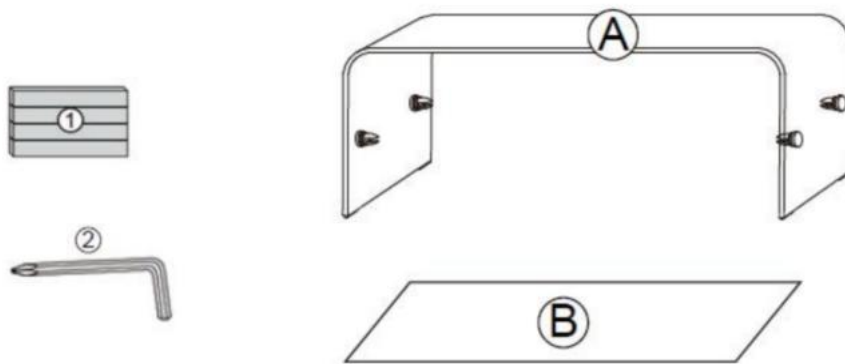
Hardware

| | | | |
|---|---|----------------|---|
| ① |  | Silicon Rubber | 5 |
| ② |  | Allen Wrench | 1 |

Assembly Preparation

CAUTION: This TV Stand is made of glass and is heavy. You must have a second adult to help you during the entire process. Care must be exercised.

Before Beginning Assembly:



- Read instructions, cover to cover-



- Have 2 adults on hand for assembly-



- Do not assemble on flooring or carpet-



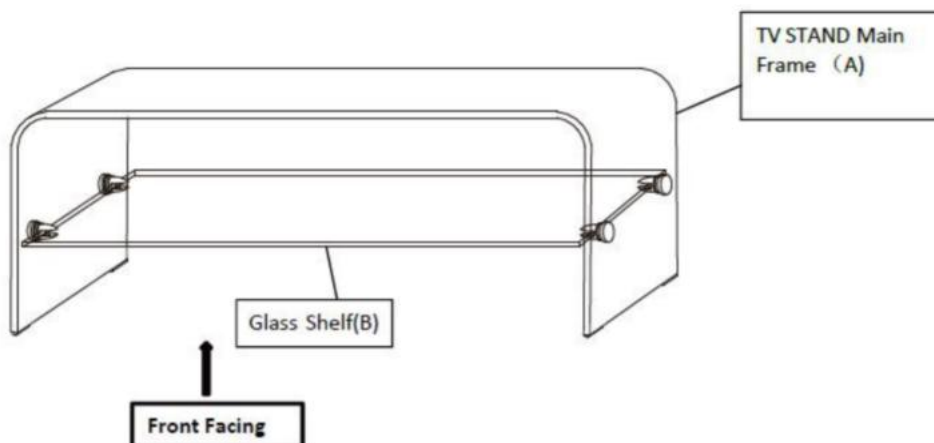
- Assemble on a clean non-marring surface (packing foam)-



- Save all packaging until finished-

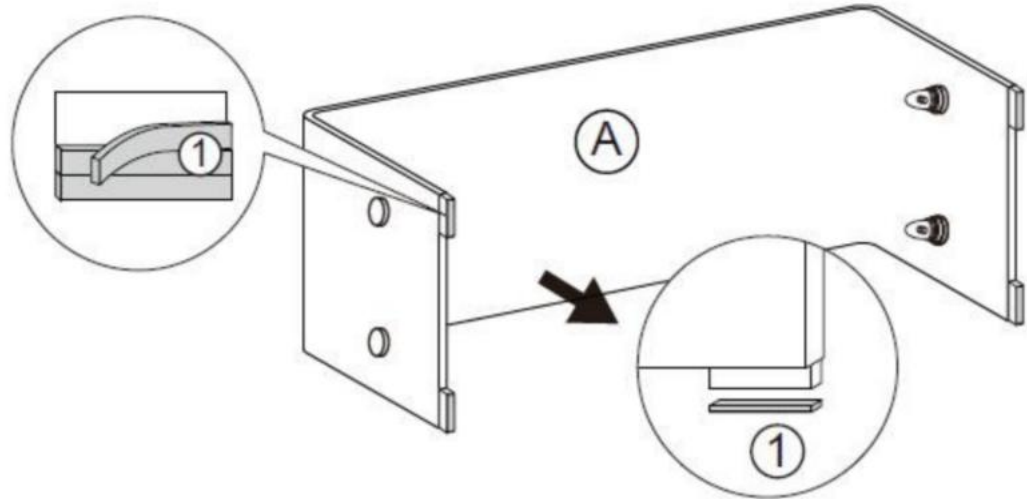
Assembly Steps

Parts Introduction



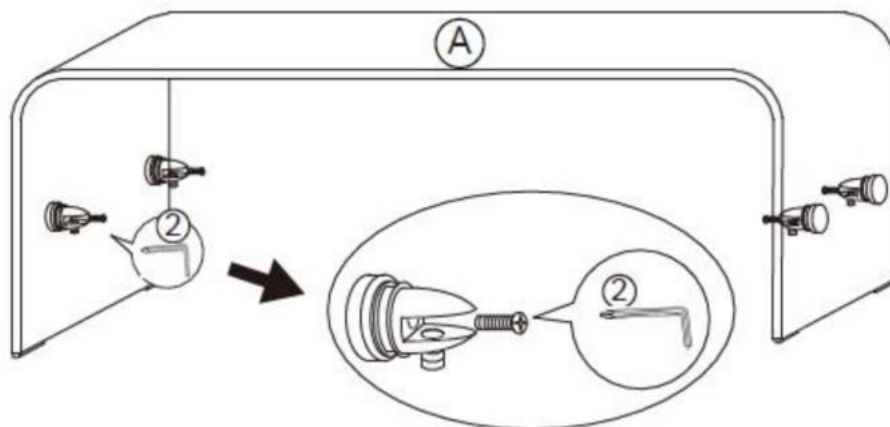
This TV STAND has multiple parts and may require up to some 30 minutes to assemble. To give you an overview of the Table parts, the above picture is to help you put the various parts into perspective. Please read through the instructions herebelow to familiarise the parts and steps before assembly.

Step 1



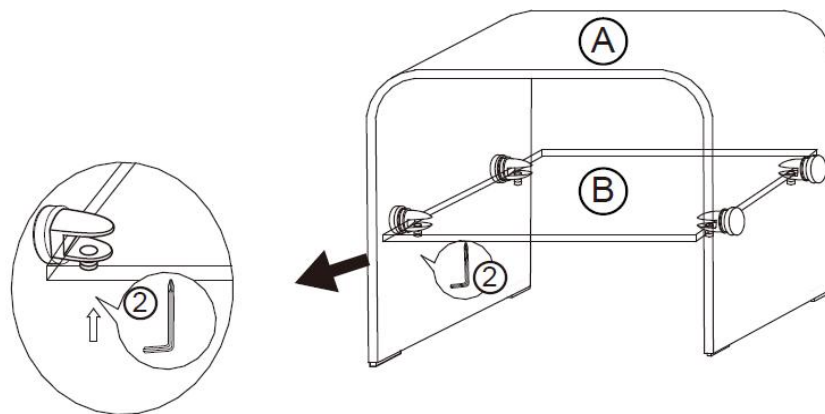
Put TV stand Main Frame (Glass)(A) carefully on its side onto a soft, non- marring surface. Peel a Silicon Rubber(1) off the backing and apply it squarely to an Aluminum Leg as shown in the picture. Repeat this step with the remaining three feet.

Step 2



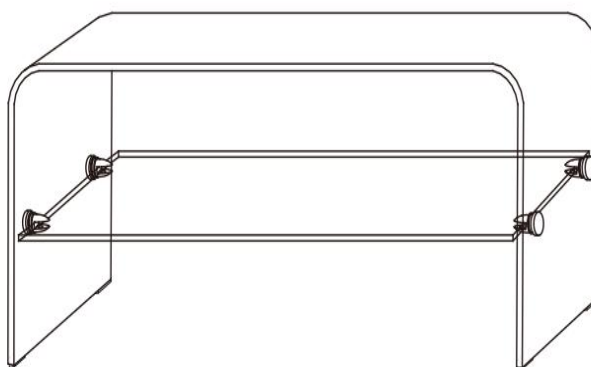
Turn the Table right side up. Use the Allen Wrench (2) to tighten all of the Pre-attached Brackets to the Table as shown in the picture.

Step 3



Carefully insert Glass Shelf(B) into the Brackets on the TV Stand Main Frame (Glass)(A).
Tighten the Plastic Bolts at the bottom of the Brackets until the Glass Shelf is secured in place.

Step 3



Your Glass Table is ready for use.
This Coffee Table can only be used on a flat, level surface.