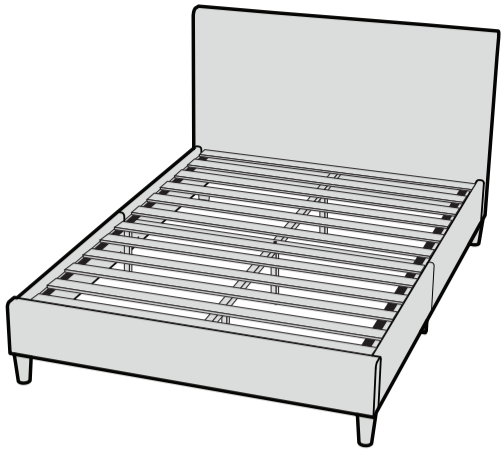


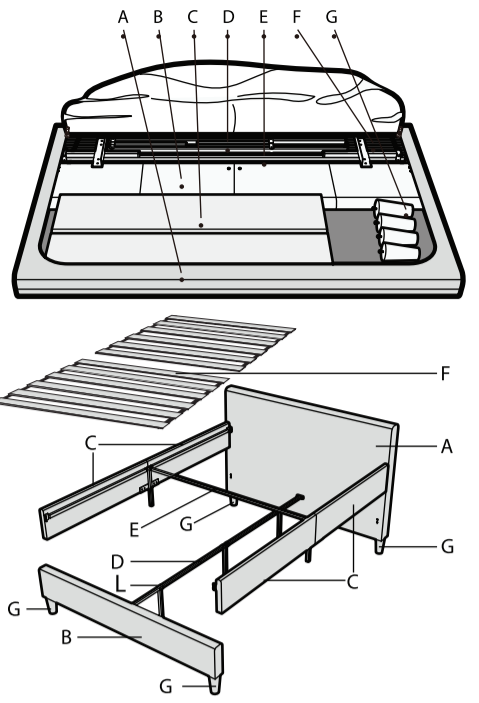
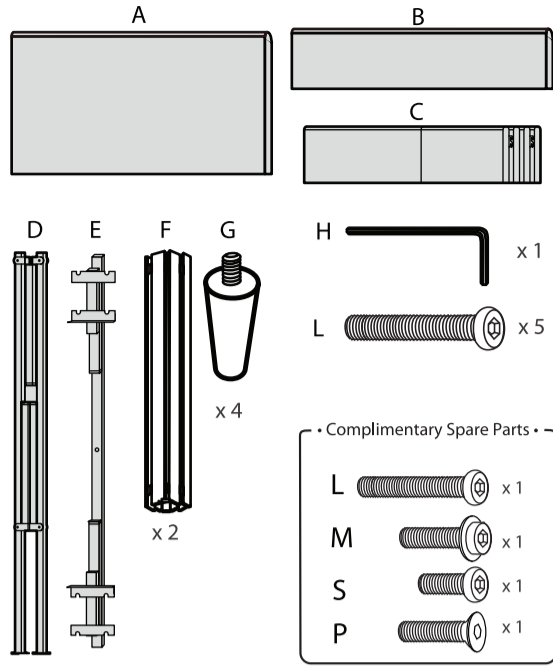
PLATFORM BED FRAME

INSTRUCTIONS

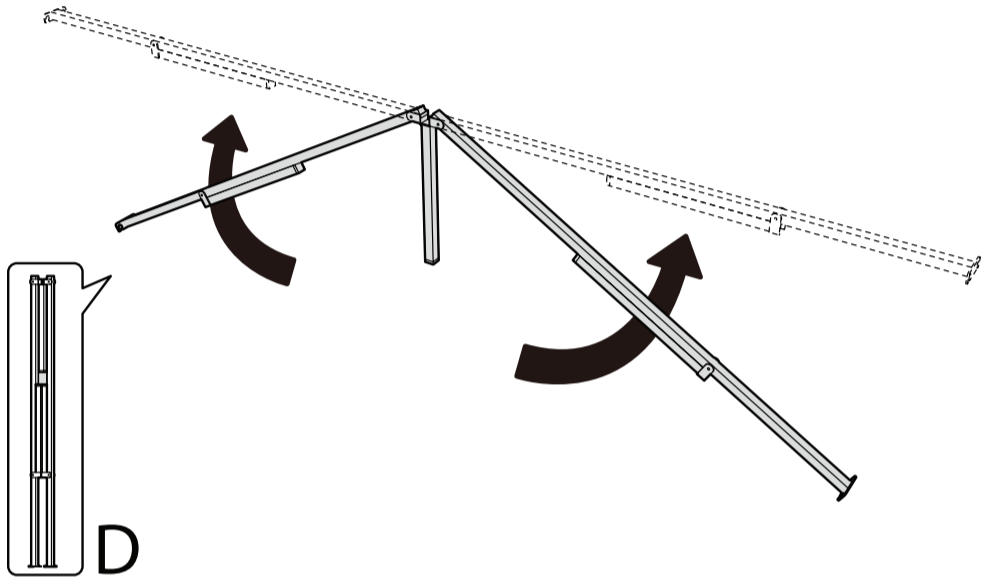


1

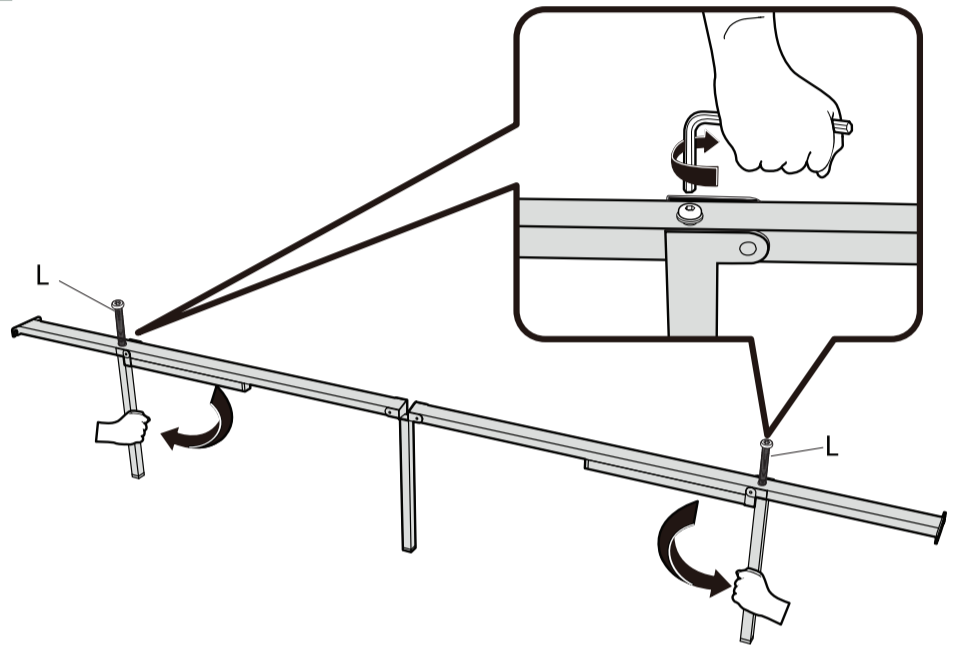
Components



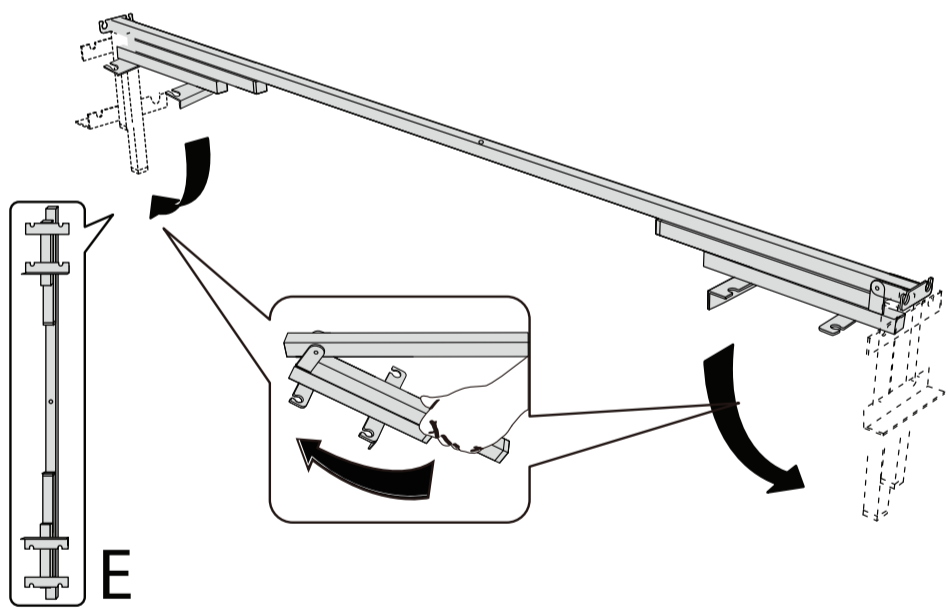
2



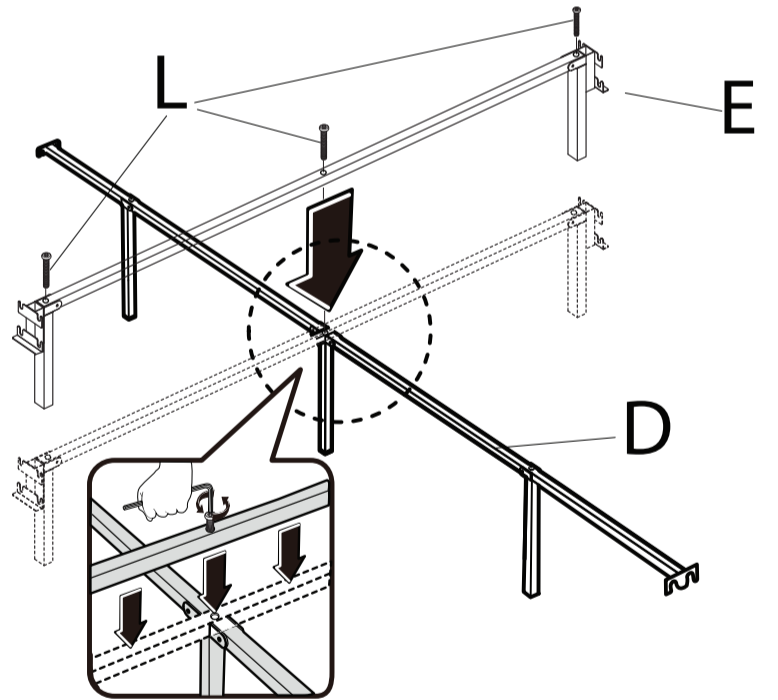
3



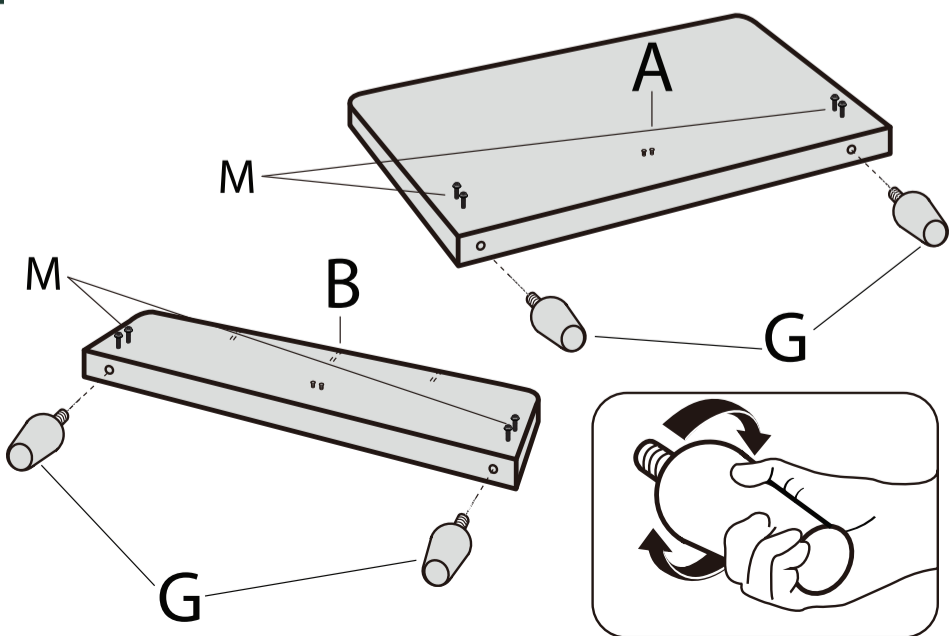
4



5

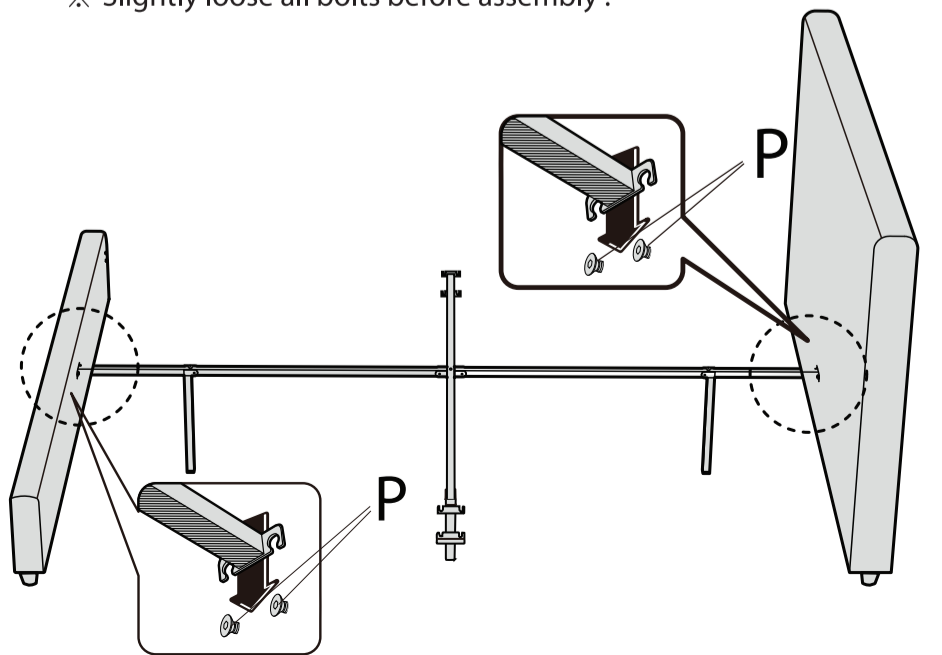


6

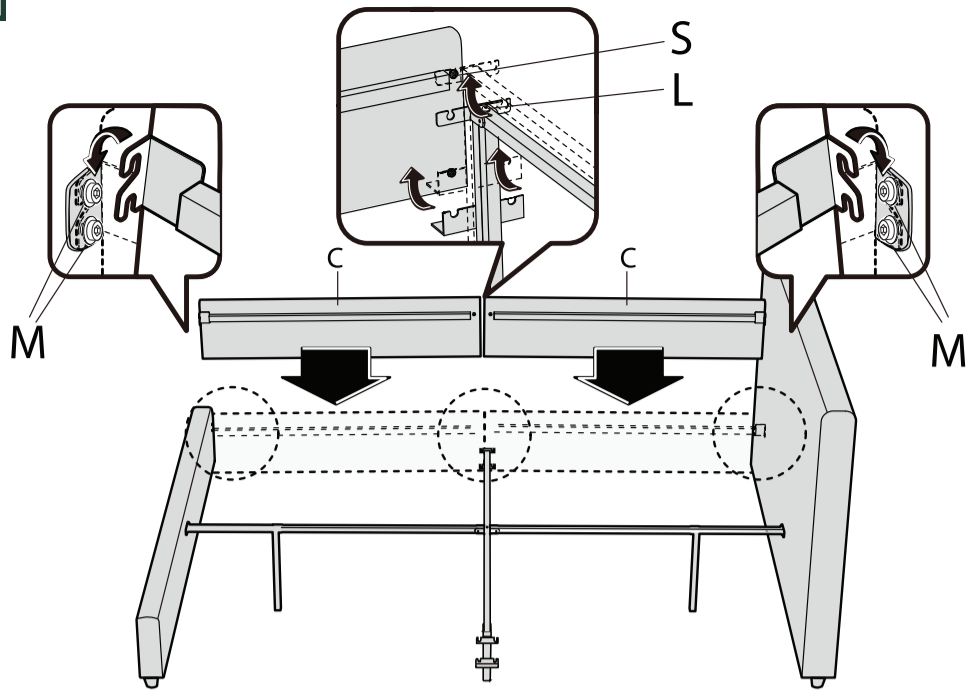


7

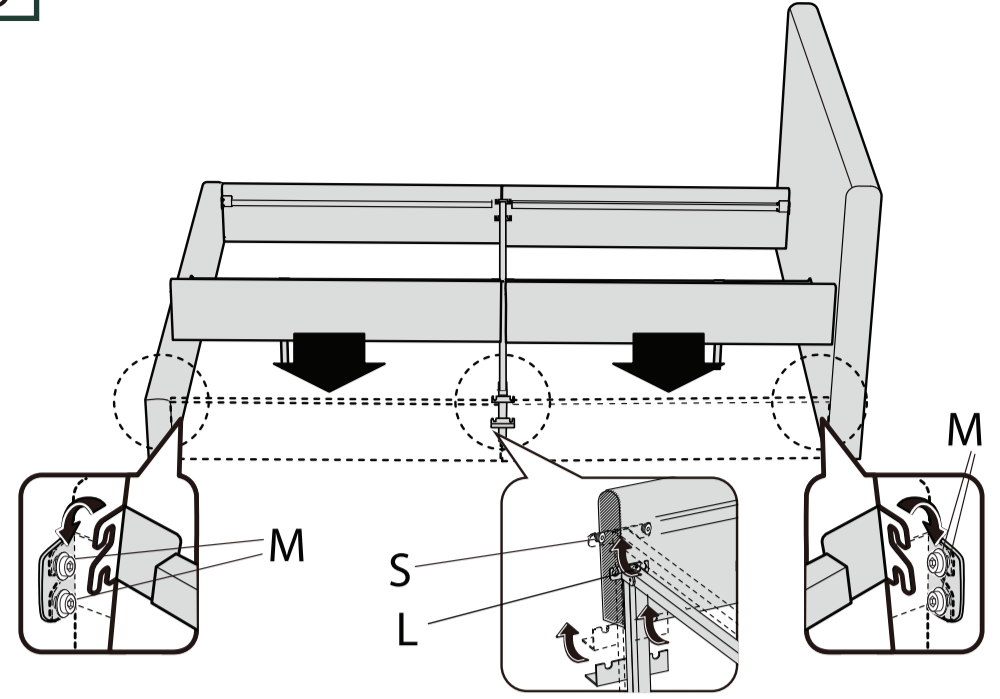
※ Slightly loose all bolts before assembly.



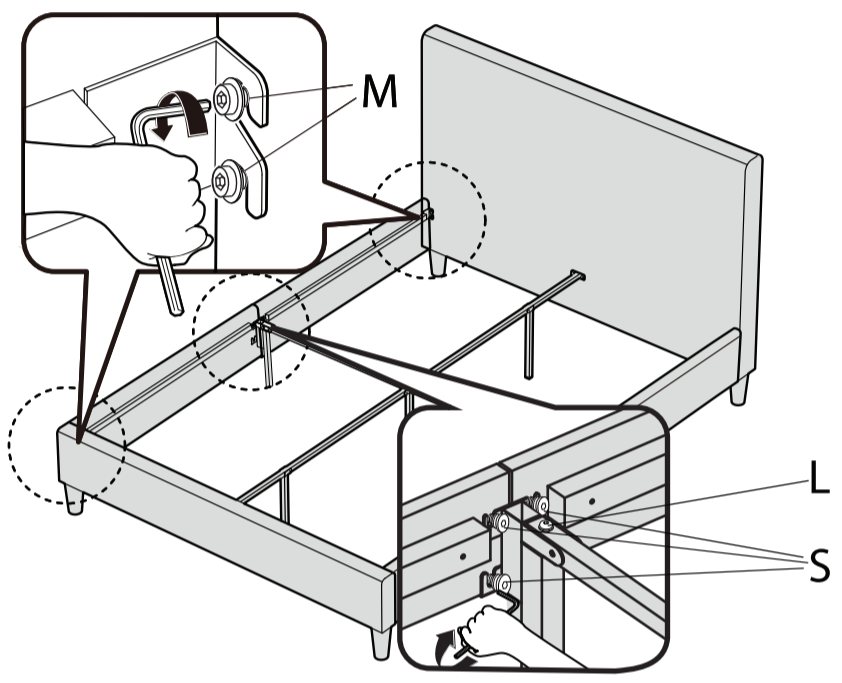
8



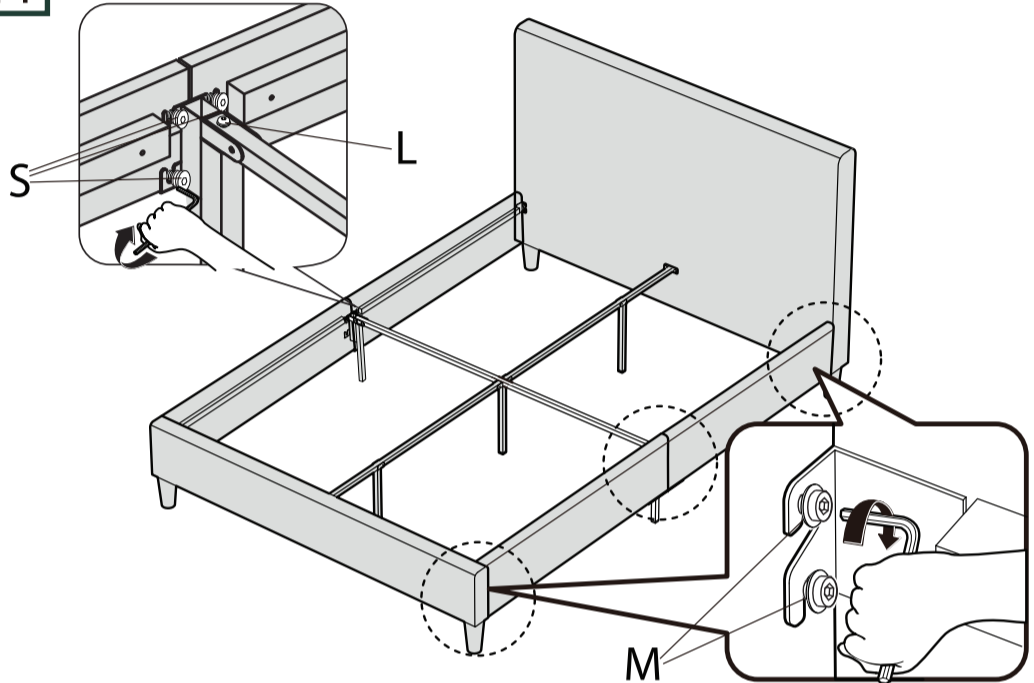
9



10

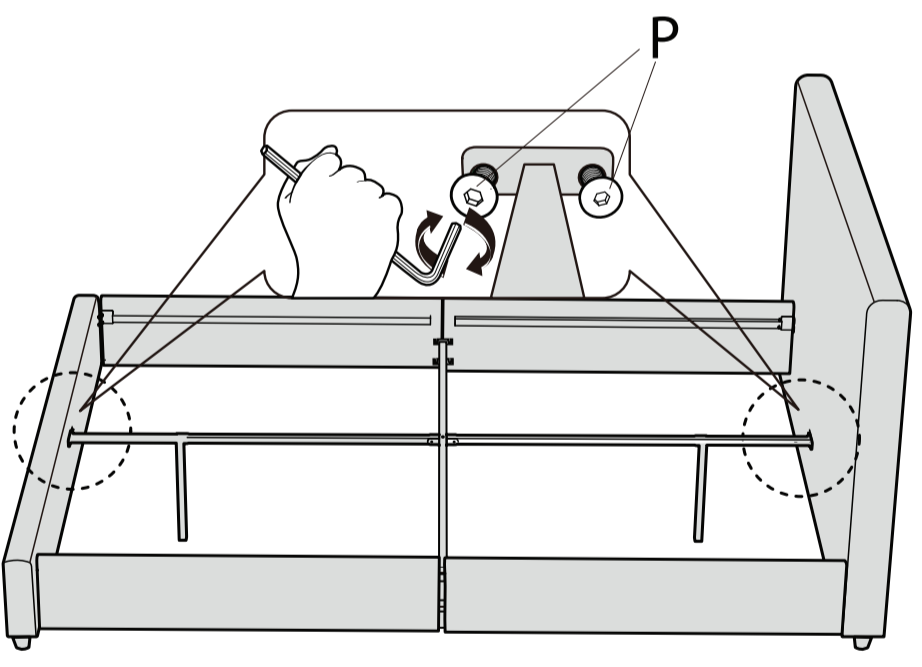


11

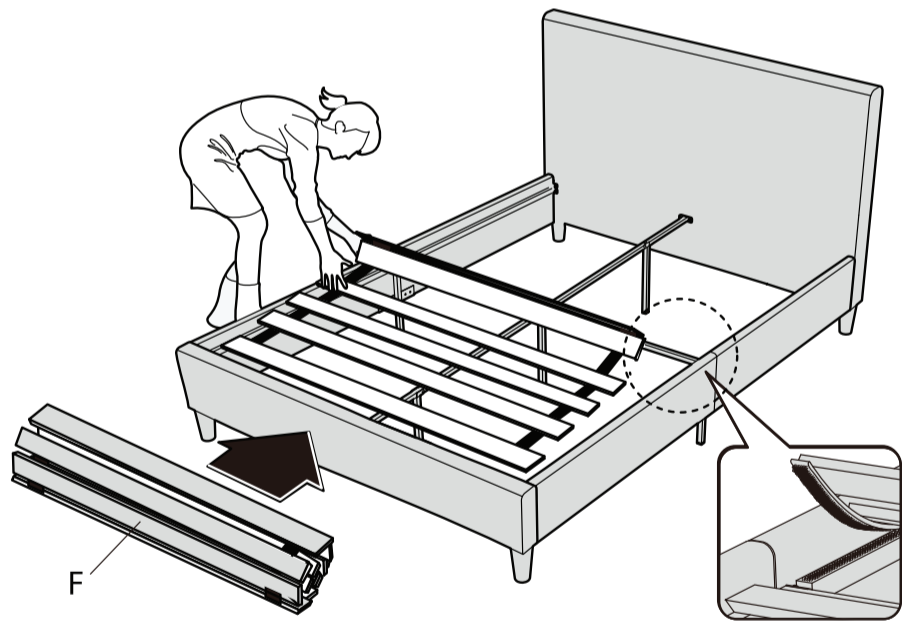


12

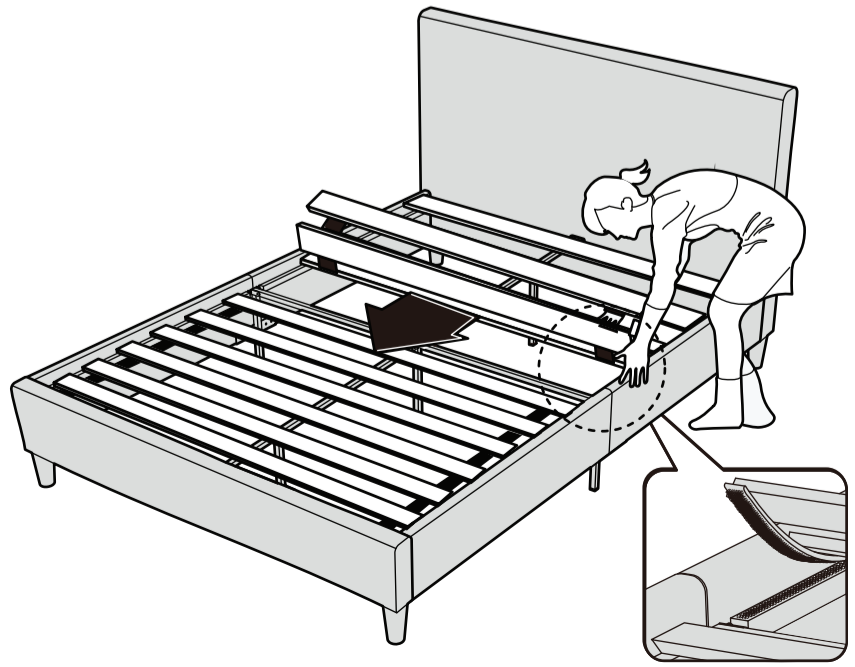
※ To be fully tighten after placing all side rails.



13



14



15

