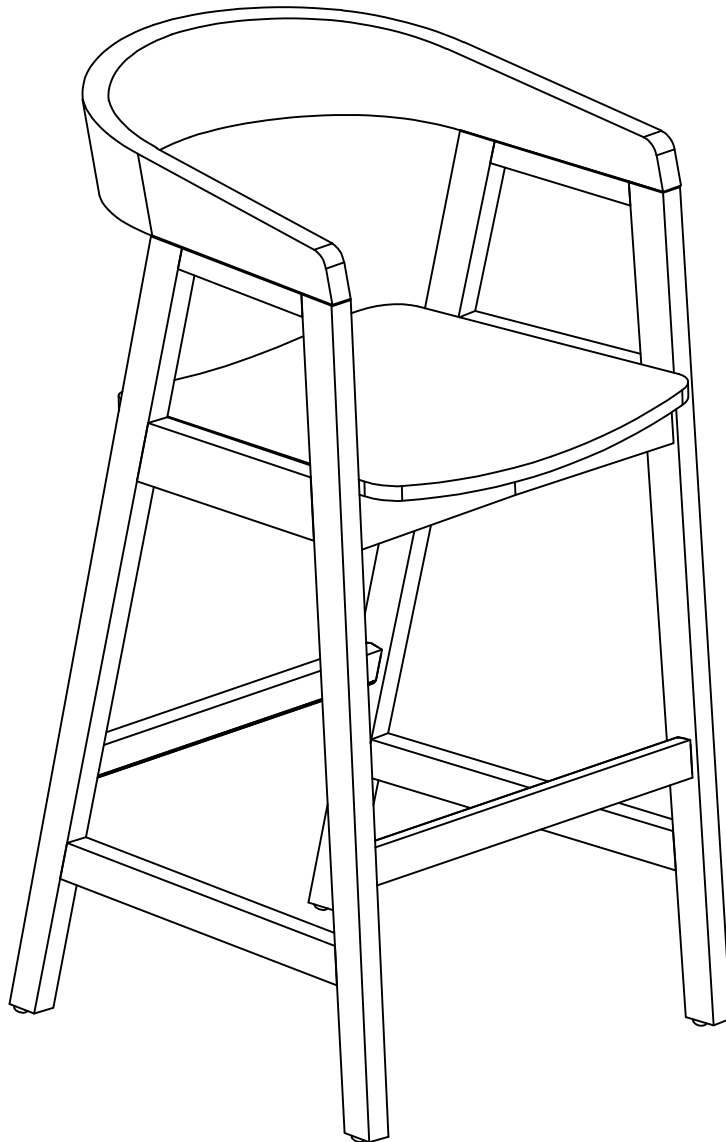


Instruction Manual

## Ella Bar Stool

[www.laura-james.co.uk](http://www.laura-james.co.uk)

**1689173.11; 1689180.11; 1689197.11**



# CONTENTS

---

Safety and care advice	<b>1</b>
Components	<b>2</b>
Assembly instructions	<b>4</b>
Copyright	<b>8</b>



# SAFETY AND CARE ADVICE



## PLEASE READ THESE INSTRUCTIONS CAREFULLY AND KEEP FOR FUTURE REFERENCE

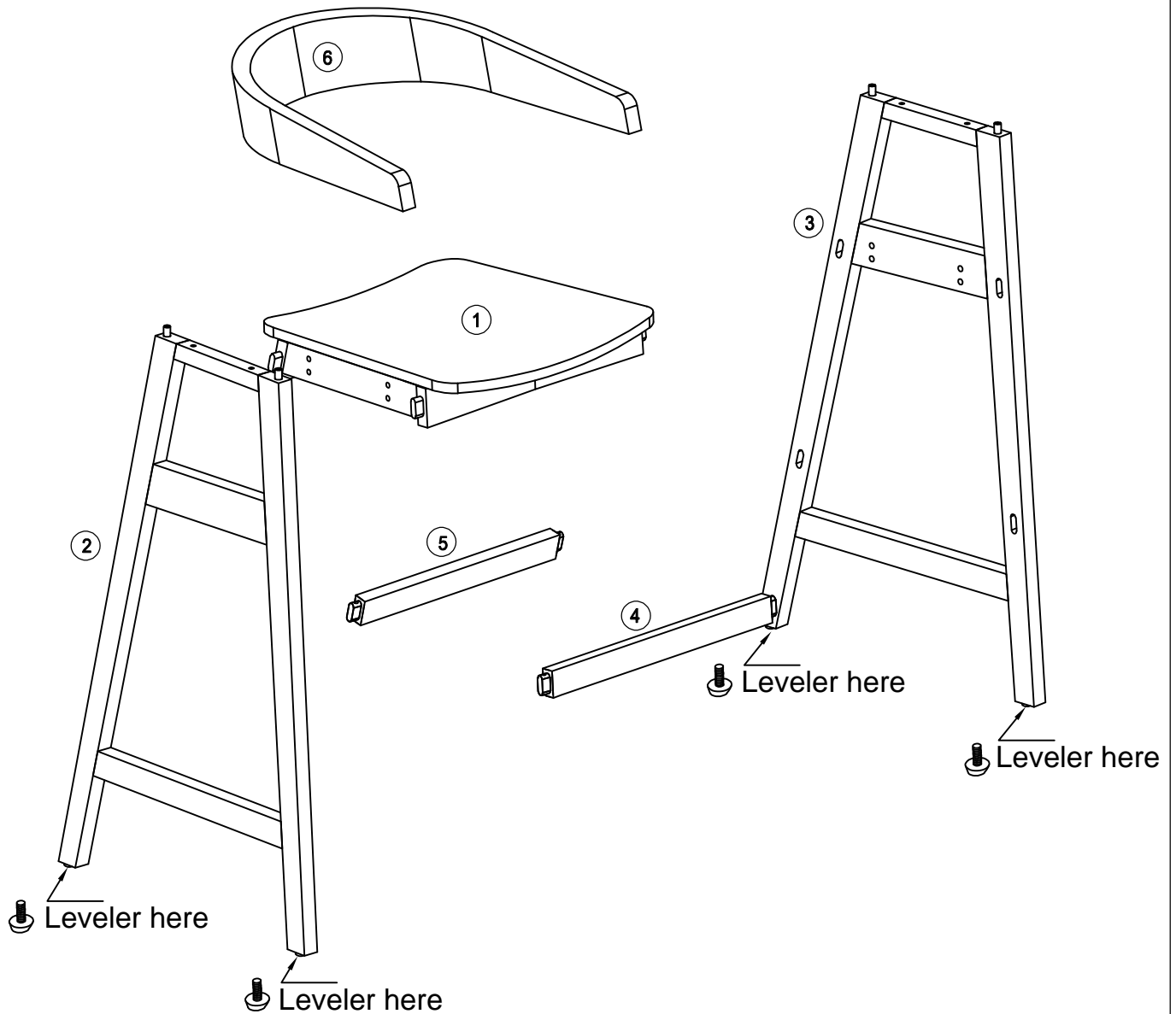
- **Warning:** Please lift with care.
  - Check you have all the components and tools listed on pages 2 and 3.
  - Remove all fittings from the plastic bags and separate them into their Groups
  - Keep children and animals away from the work area, small parts could choke if swallowed.
  - Make sure you have enough space to lay out the parts before starting.
  - Do not stand or put weight on the product, this could cause damage.
  - Assemble the item as close to its final position (in the same room) as possible.
  - Assemble on a soft level surface to avoid damaging the unit or your floor (use opened out unit carton).
- We do not recommend the use of power drill/drivers for inserting screws, as this could damage the unit. Only use hand screwdrivers.
- Dispose of all packaging carefully and responsibly

## CARE AND MAINTENANCE

- Only clean using a damp cloth and mild detergent, do not use bleach or abrasive cleaners.
- From time to time check that there are no loose screws on this unit.
- This product should not be discarded with household waste. Take to your local authority waste disposal center.
- Note: If required the next page can be cut out and used as reference throughout the assembly. Keep this page with these instructions for future reference.

# COMPONENTS

Please check you have all the panels listed below:



1 Seat	x1	4 Front bar	x1
2 Left leg frame	x1	5 Back bar	x1
3 Right leg frame	x1	6 Back seat	x1

# COMPONENTS

Please check you have all the panels listed below:

A



Bolts (M6x40mm) x 12

B



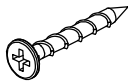
Spring Washer (M6x10mm) x 12

C



Flat Washer (M6x16mm) x 12

D



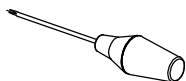
Screws (M4x40mm) x 4

E



Allen key (M4) x1

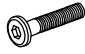





F

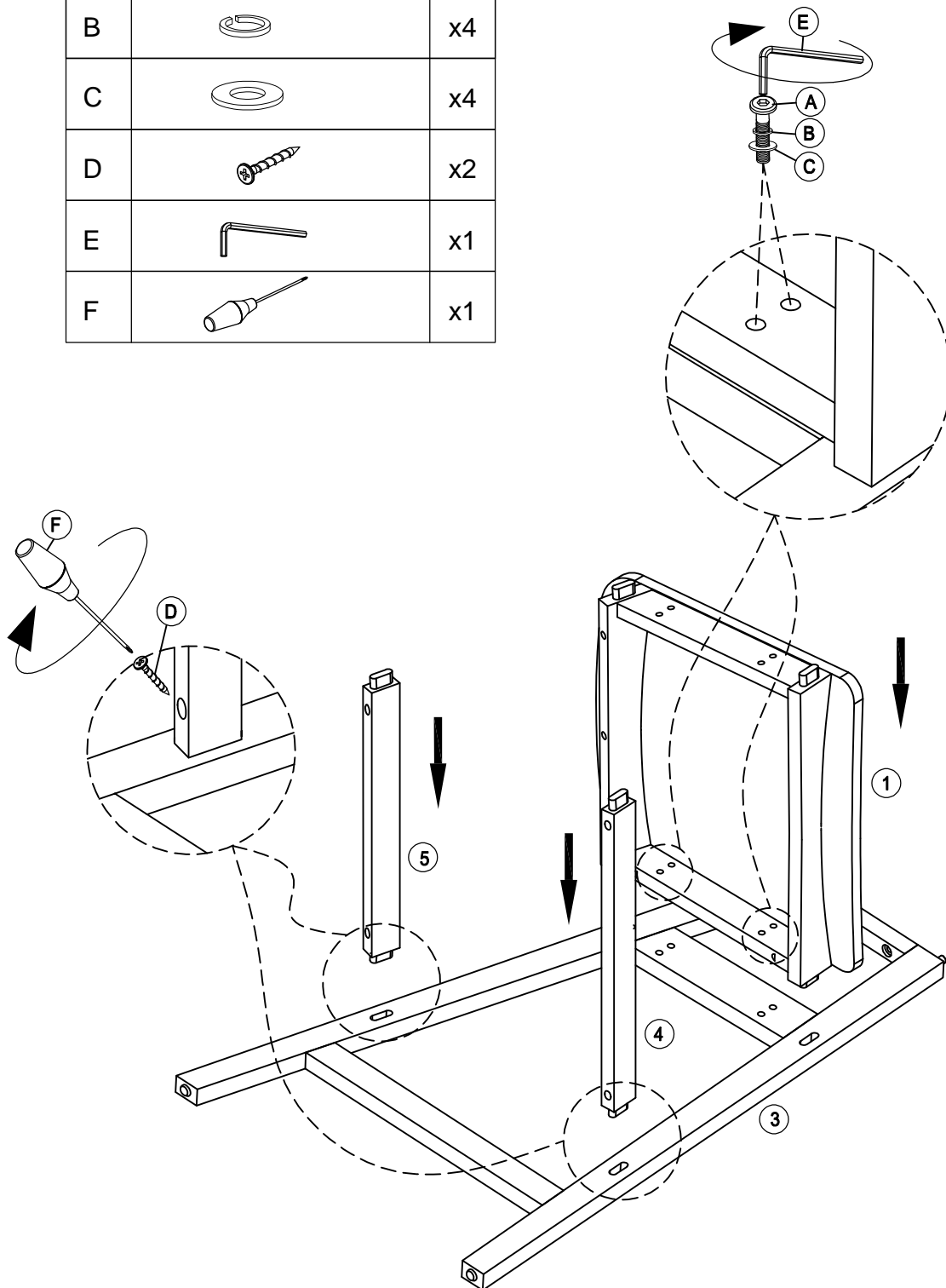


Screwdriver x1

# ASSEMBLY INSTRUCTIONS

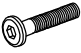





Step 1:

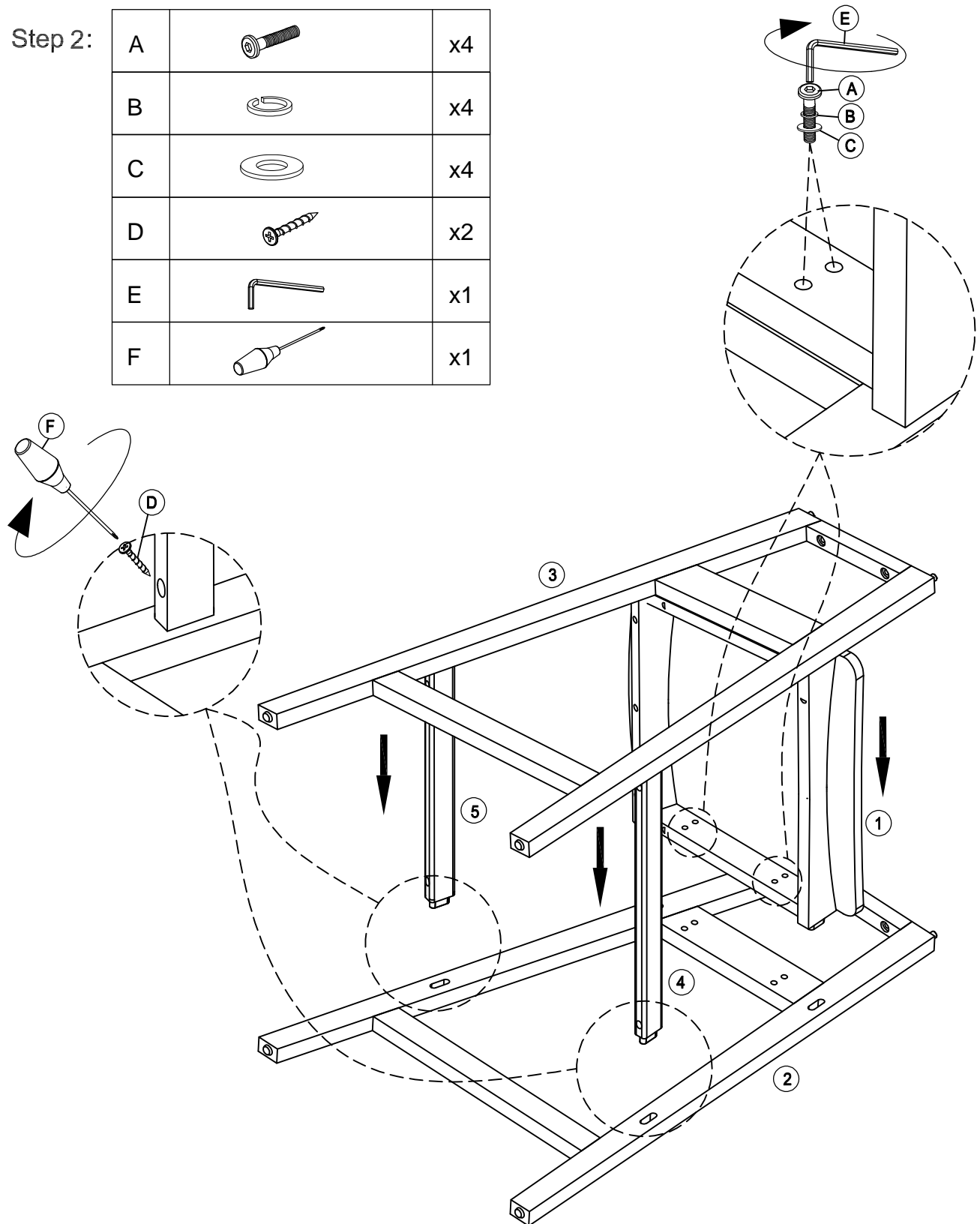
A		x4
B		x4
C		x4
D		x2
E		x1
F		x1



# ASSEMBLY INSTRUCTIONS

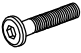



Step 2:

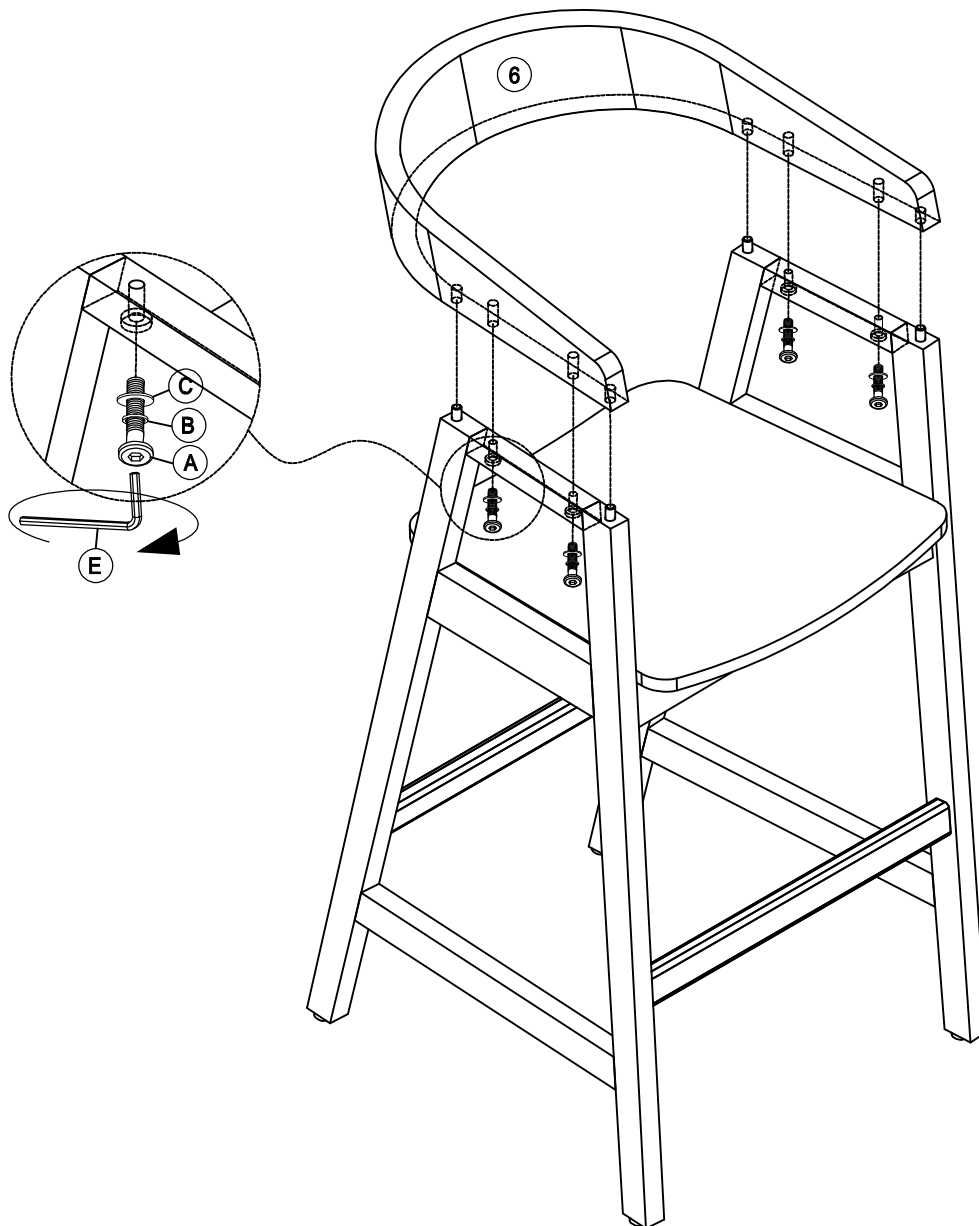
A		x4
B		x4
C		x4
D		x2
E		x1
F		x1



# ASSEMBLY INSTRUCTIONS

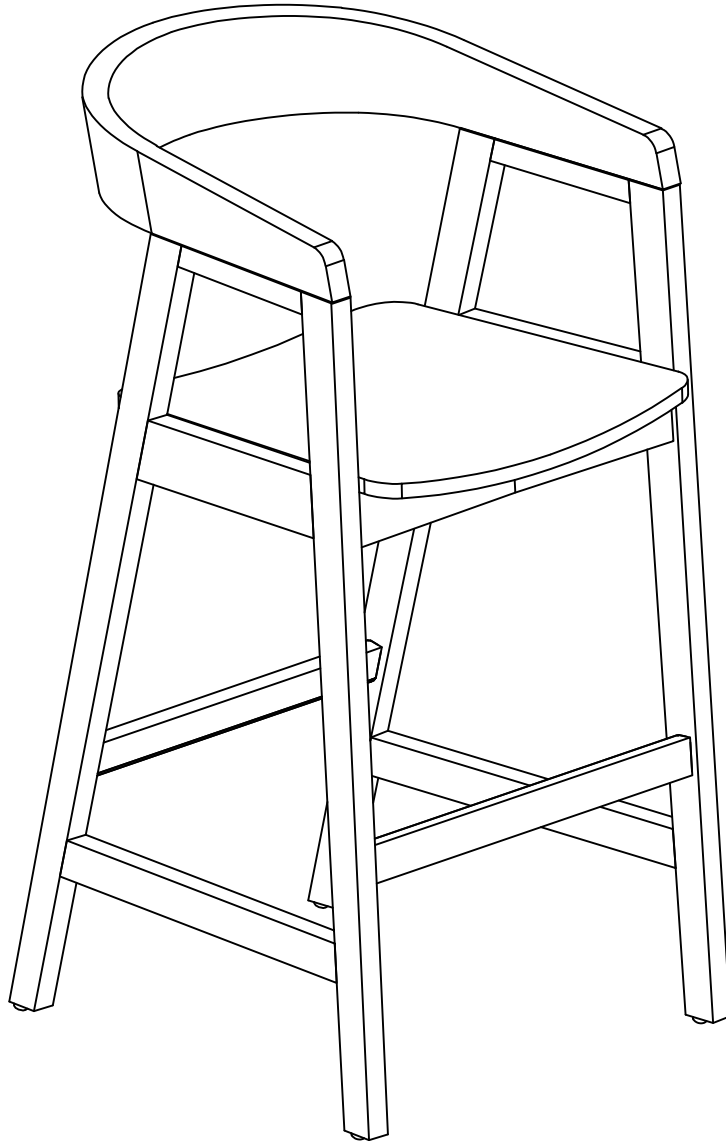
Step 3:

A		x4
B		x4
C		x4
E		x1



# ASSEMBLY INSTRUCTIONS

---



Congratulations! Now you have finished assembling the product.

# IF YOU FIND A DEFECTIVE PART

---

We fully stock all parts and components. Any defective part can be quickly replaced. Take note of the defective part number in manual and we will arrange a quick replacement.

You can email our team at [customercare@laura-james.co.uk](mailto:customercare@laura-james.co.uk)

## COPYRIGHT

---

All material in this instruction manual is copyrighted by AGTC Ltd.  
Any unauthorised use may violate worldwide copyright, trademark and other laws.

# ASSEMBLY INSTRUCTIONS

---

Thank you for purchasing!

Laura James® is a registered trademark of AGTC Ltd.  
Made in Vietnam for AGTC LTD S35 9ZX

---

**Laura James**

[www.laura-james.co.uk](http://www.laura-james.co.uk)