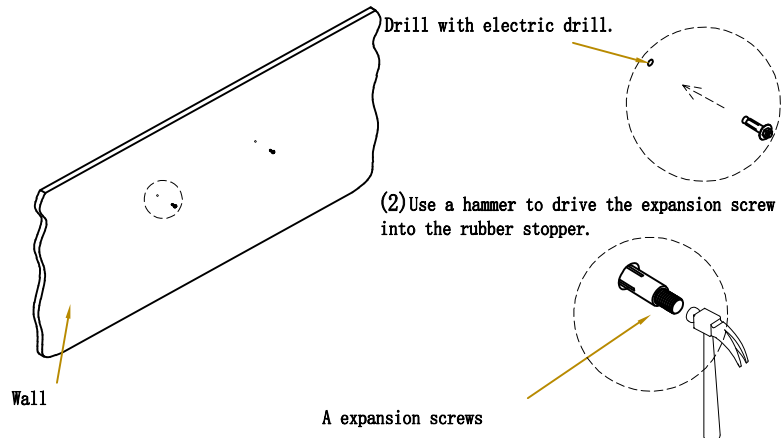


1. Place the cabinet at a suitable height and mark the holes with a marker.

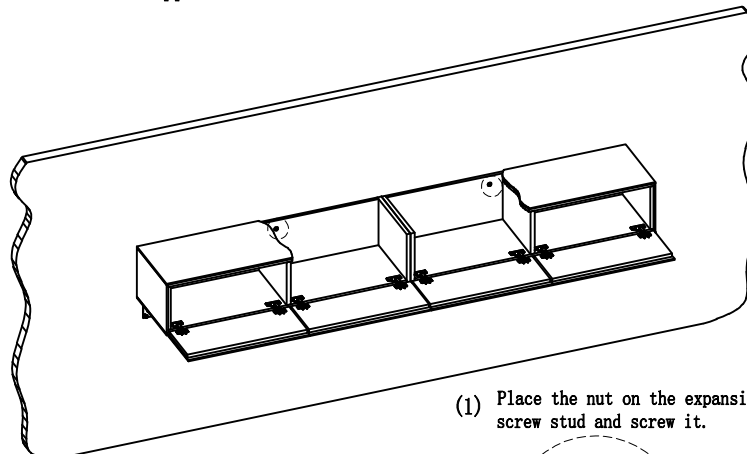
(1) Insert the expansion screw plug into the hole.

Drill with electric drill.

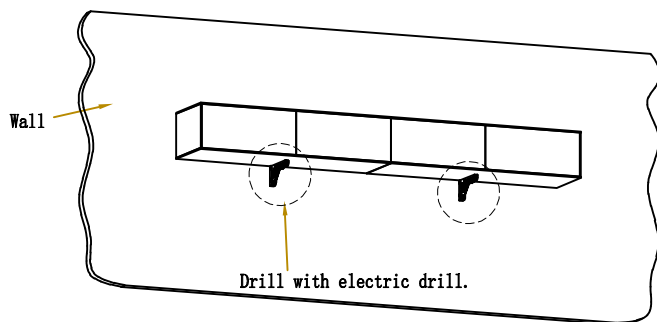


(2) Use a hammer to drive the expansion screw into the rubber stopper.

2. Connect and hang cabinets. (Please note that this step requires one person on each side to support the two cabinets until the brackets are installed.)



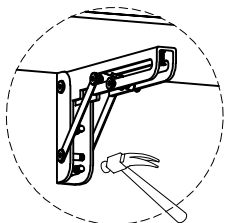
3. Put the support bracket at the corresponding position at the bottom of the TV cabinet, and mark the hole position with a marker.



4. Complete the installation

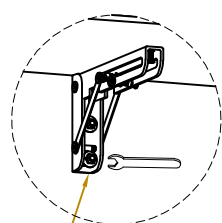
(1)

Push the expansion screw into the wall with a hammer.



(2)

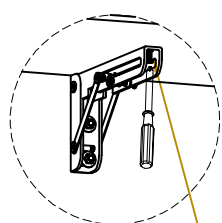
Place the nut on the expansion screw stud and screw it.



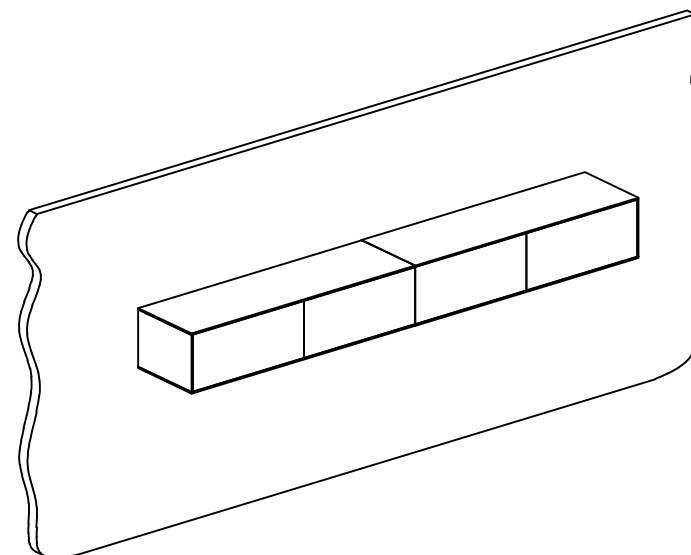
B expansion screws

(3)

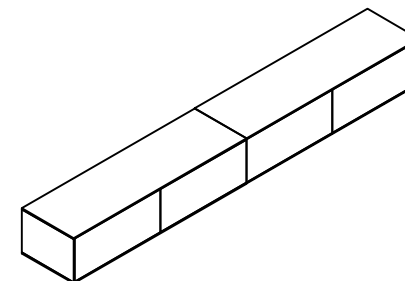
Tighten the self-tapping screw with a screwdriver.



Self-tapping screws



## Installation instruction



TS1050WS/BS Installation

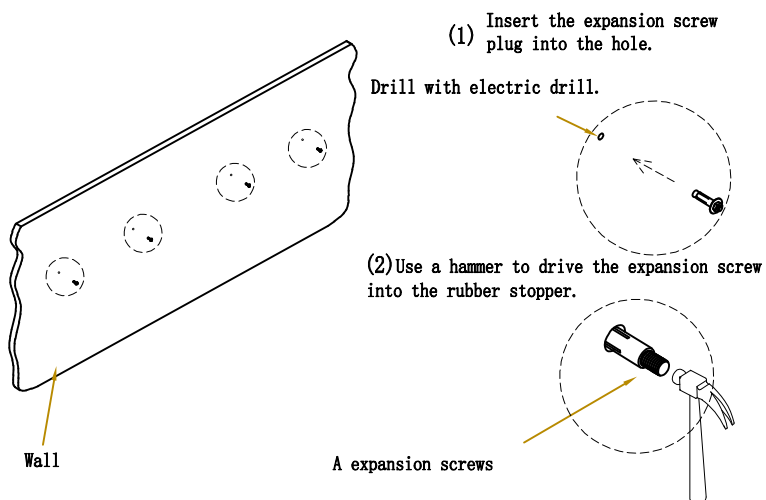
Suggested Number of People for Assembly: 3

- ① Please read the manual carefully before installing this product. And strictly follow the installation process
- ② Please take good care of this manual for your next installation

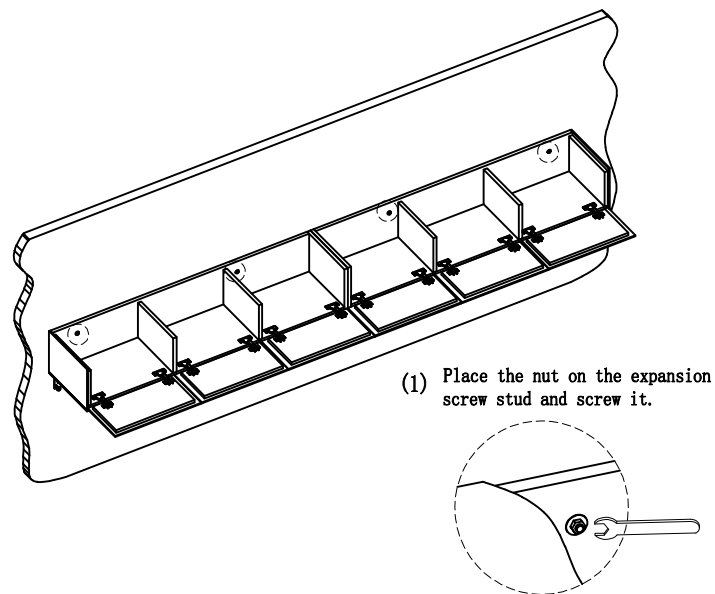
### Parts list

Serial number	Shape	Name	Quantity
A		A expansion screws (8*70mm)	2
B		B expansion screws (6*60mm)	4
C		Self-tapping screws	4
D		Support Frame of TV cabine	2

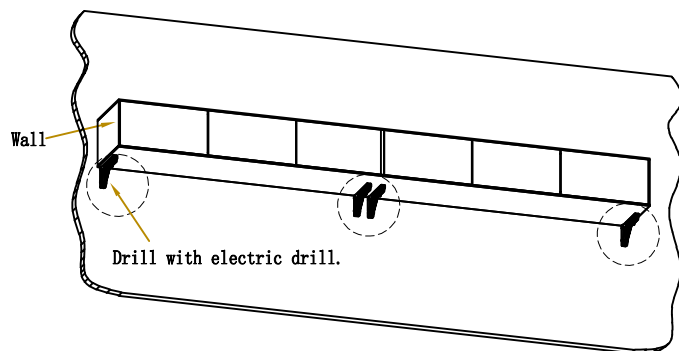
1. Place the cabinet at a suitable height and mark the holes with a marker.



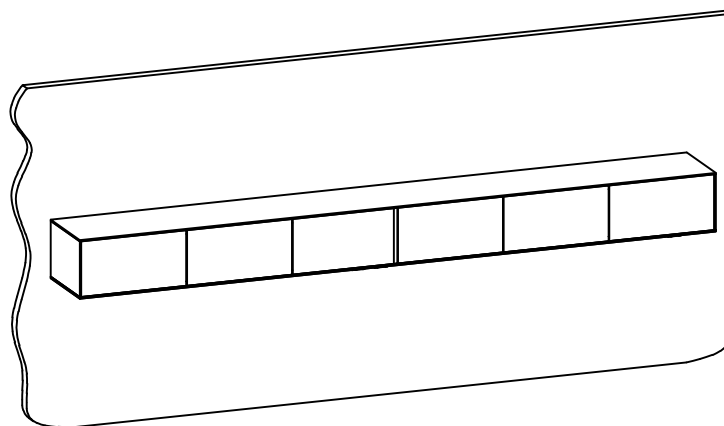
2. Connect and hang cabinets. (Please note that this step requires one person on each side to support the two cabinets until the brackets are installed.)



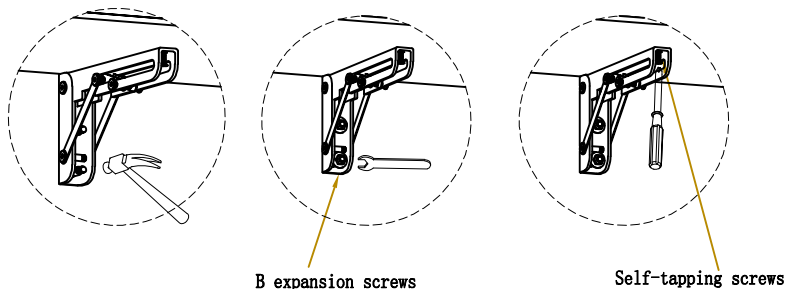
3. Put the support bracket at the corresponding position at the bottom of the TV cabinet, and mark the hole position with a marker.



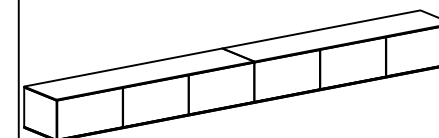
4. Complete the installation



- (1) Push the expansion screw into the wall with a hammer.
- (2) Place the nut on the expansion screw stud and screw it.
- (3) Tighten the self-tapping screw with a screwdriver.



## Installation instruction



TS1050BL/WL Installation  
Suggested Number of People for Assembly: 3

- ① Please read the manual carefully before installing this product. And strictly follow the installation process
- ② Please take good care of this manual for your next installation

### Parts list

Serial number	Shape	Name	Quantity
A		A expansion screws (8*70mm)	4
B		B expansion screws (6*60mm)	8
C		Self-tapping screws	8
D		Support Frame of TV cabine	4