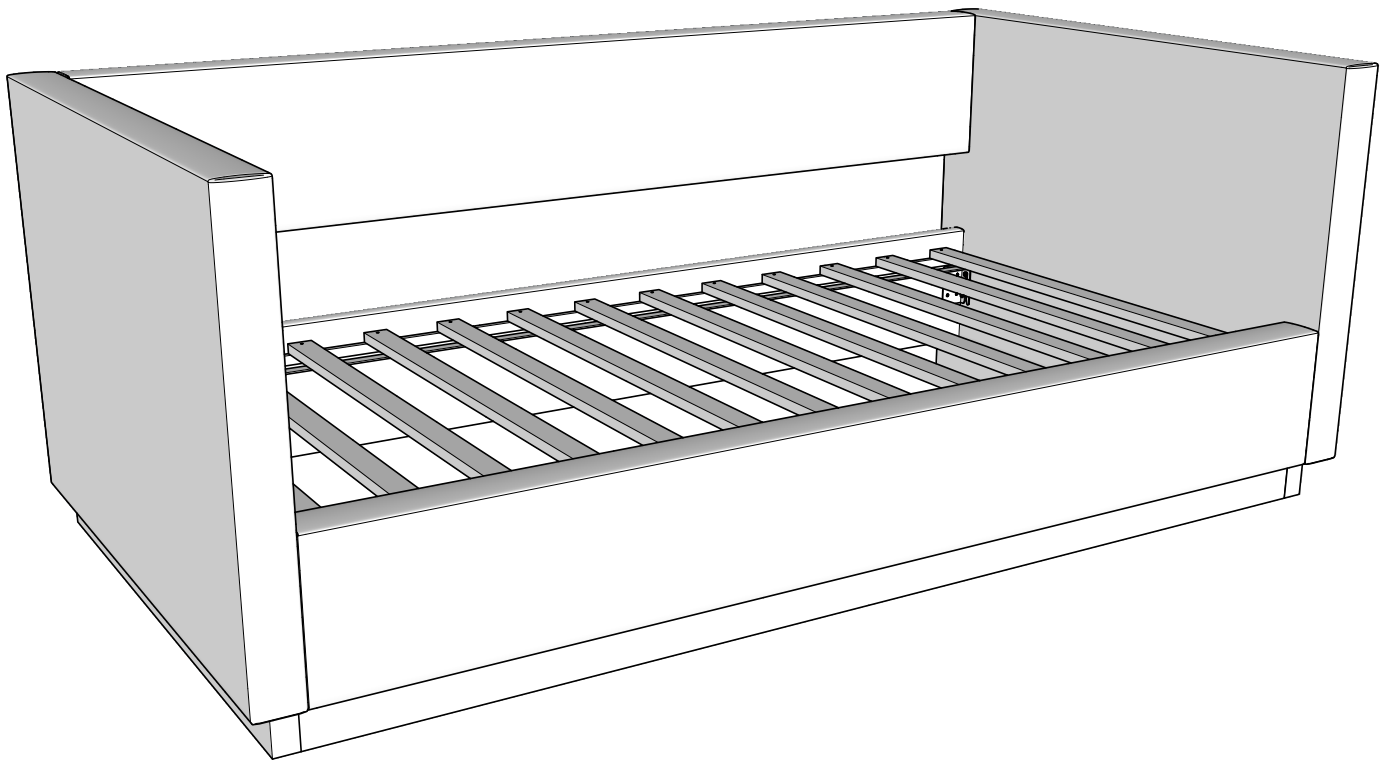


ASSEMBLY INSTRUCTIONS





IMPORTANT INFORMATION

Seller and Manufacturer disclaim all and any liability for property damage, personal injury, or loss, direct, indirect, or incidental, resulting from the incorrect assembly, inadequate maintenance, improper use, or neglect of this product.



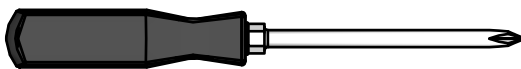
NOTICE

- Keep these assembly instructions for future reference.
- Do not use this product if there are missing, damaged, or broken parts until repairs are made and/or factory replacement parts are installed.
- Check all packing material carefully for small hardware that may have become loose inside the carton during shipment.
- Identify and count all hardware and parts to compare with parts and hardware list.
- Follow assembly instructions closely. Improper assembly can result in personal or property damage.
- Secure all bolts before use.
- Every 90 days check all bolts are secured.
- Some parts may have a sharp corner or edge and maybe heavy.
- Do not use or store this product near open flames or around flammable chemicals.
- When placing contents on non-carpeted flooring, it's recommended to use floor protection such as an area rug or furniture pads. These are not included with the purchase.

REPLACEMENT PART OR HARDWARE REQUEST:

Request a replacement by logging into the marketplace account in which the purchase was made and sending a message to the seller. To assist in expediting the request attach applicable images relevant to the request and/or part number and quantity.

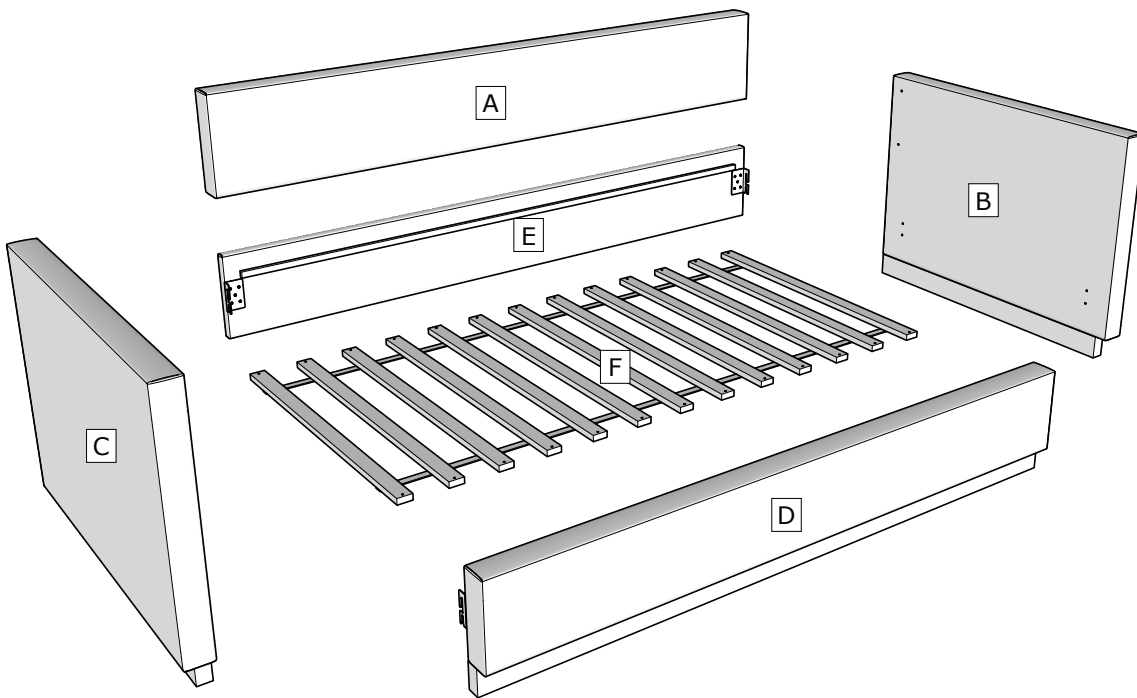
ADDITIONAL TOOL REQUIRED:



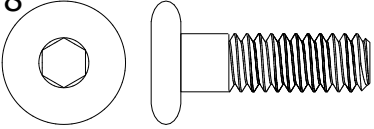
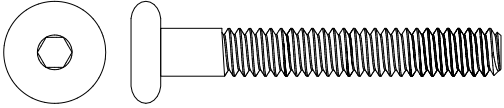
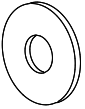
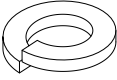
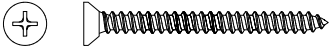


**#2 Philips Screwdriver
(Not Provided)**

DAYBED PARTS

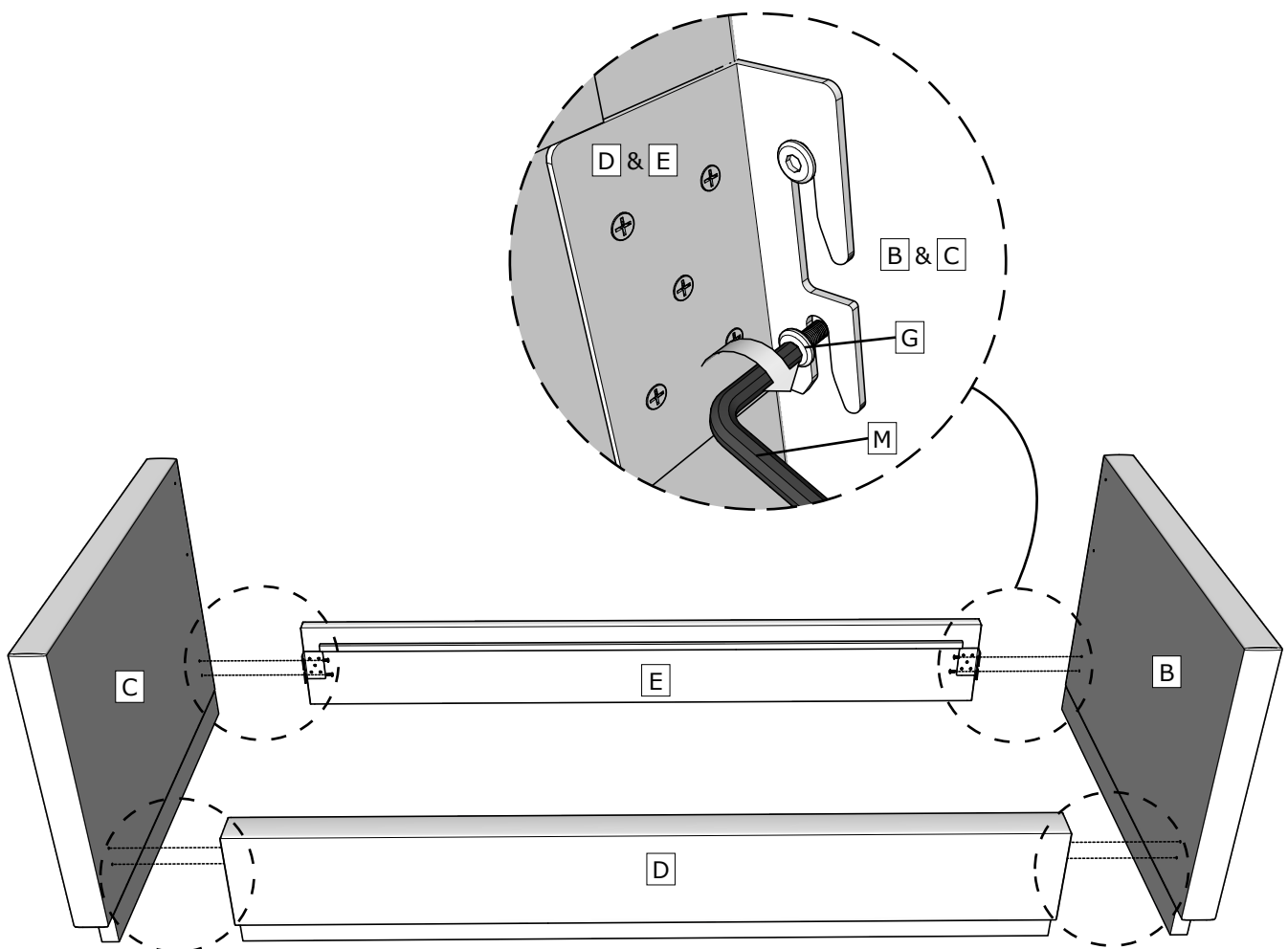
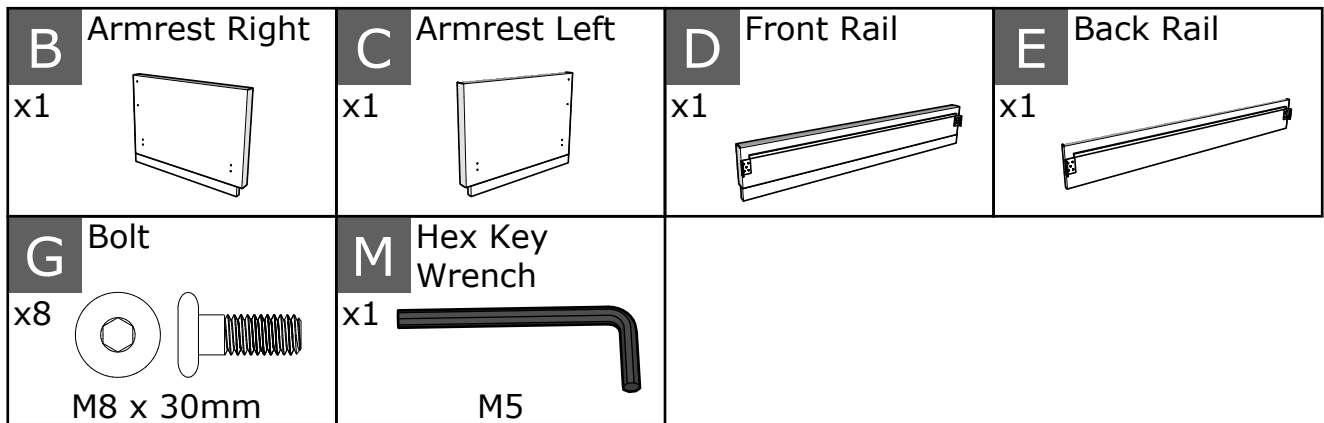
- A..... Backrest..... x 1
- B..... Armrest Right..... x 1
- C..... Armrest Left x 1
- D..... Front Rail..... x 1
- E..... Back Rail..... x 1
- F..... Slat x 13



HARDWARE

<p>G Bolt x 8  M8 x 30mm</p>	<p>H Bolt x 4  M6 x 45mm</p>	
<p>I Flat Washer x 4  M6</p>	<p>J Spring Washer x 4  M6</p>	<p>K Screw x 26  M4 x 32mm</p>
<p>L Hex Key Wrench x 1  M4</p>	<p>M Hex Key Wrench x 1  M5</p>	

ASSEMBLY STEP 1

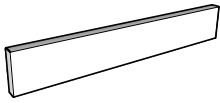
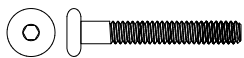

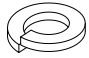



Note:

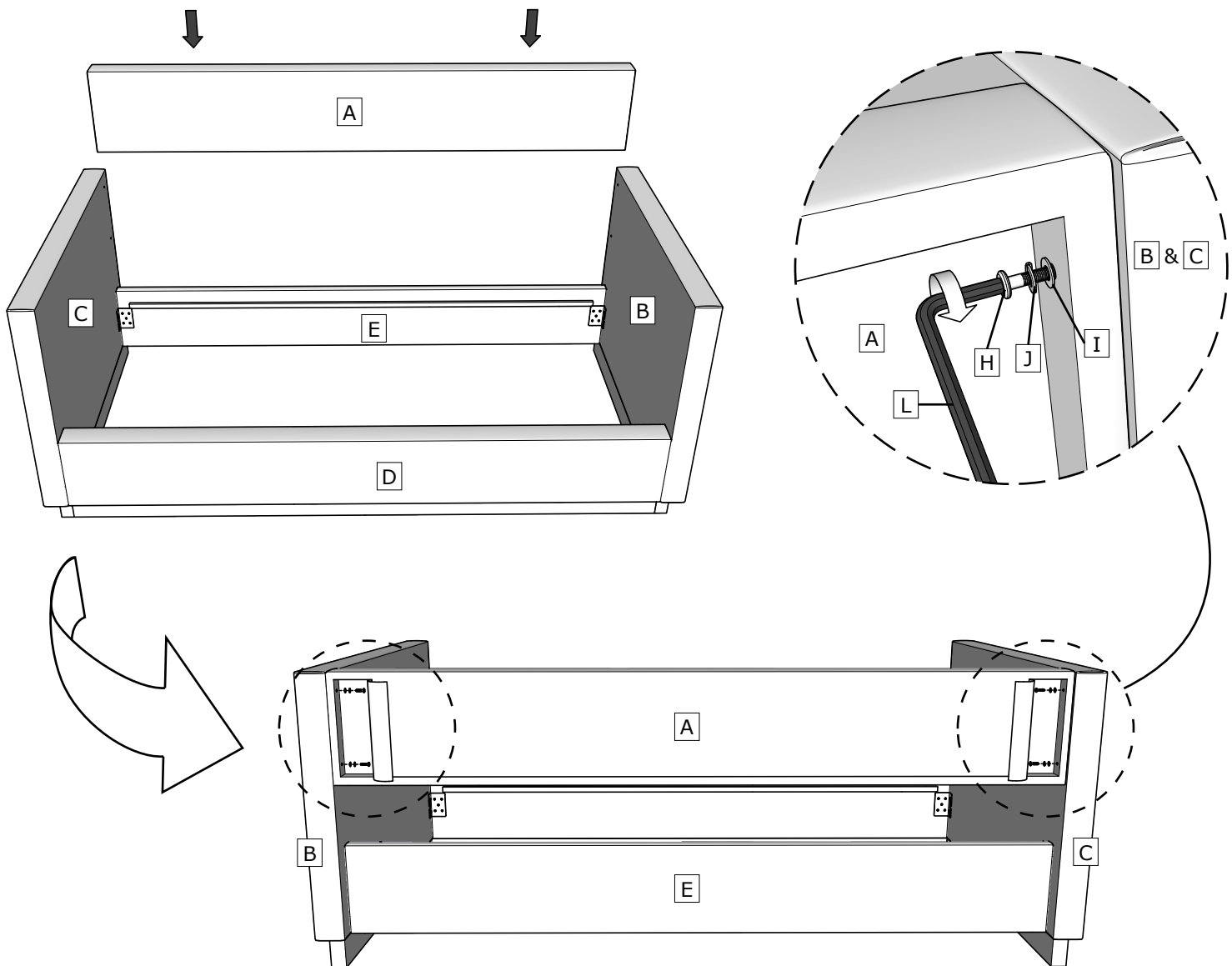
Do not tighten bolts at this step.

Attach **B** and **C** to **D** and **E** with **G** using a Hex Key Wrench **M** as shown.

ASSEMBLY STEP 2

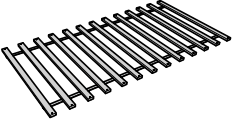


A Backrest x1 	H Bolt x4  M6 x 45mm	I Flat Washer x4  M6	J Spring Washer x4  M6
L Hex Key Wrench x1  M4			

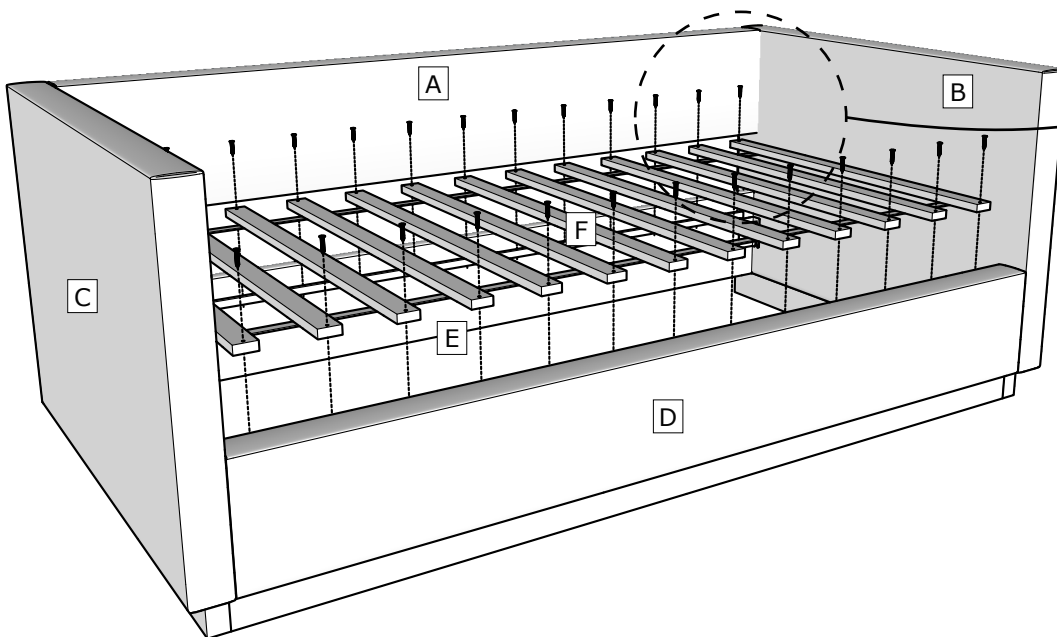
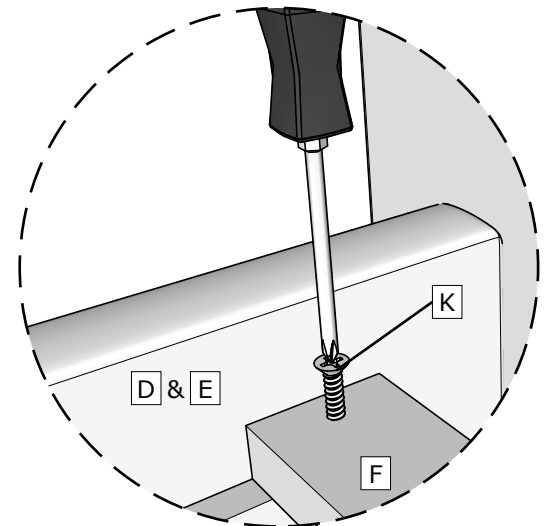
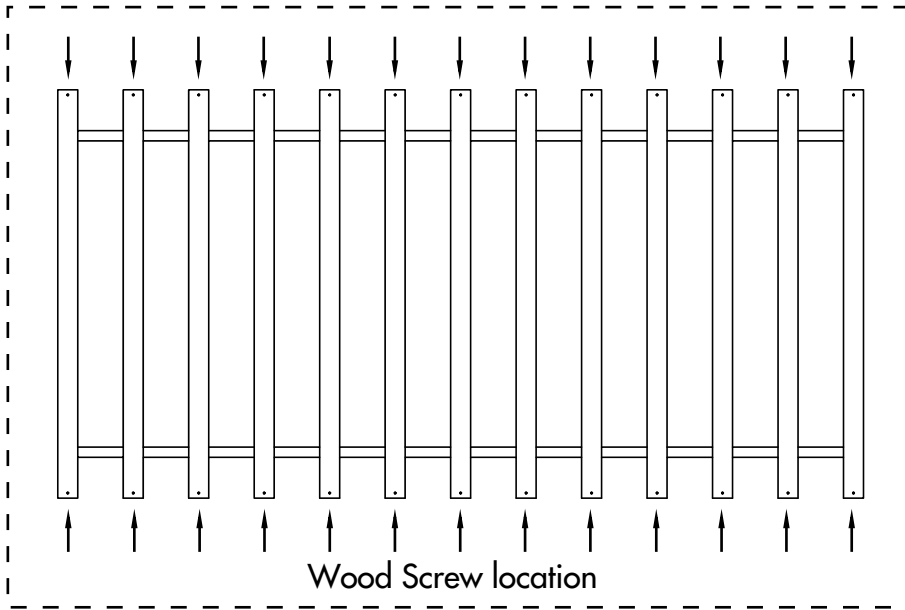
Note:
Tighten all bolts at this step.



Attach **A** to Assembled Daybed with **H**, **I**, and **J** using a Hex Key Wrench **L** as shown.

ASSEMBLY STEP 3

F Slat x13 	K Screw x26  M4 x 32mm	Philips Screwdriver  Not provided
---	---	---



Attach **F** to Assembled Daybed with **K** using a Philips Screwdriver as shown.